

TP-LINK®

Antenna Specification



Product Number: 3101505122

Product Name: Antenna

TP-LINK®

COPYRIGHT & TRADEMARKS

Specifications are subject to change without notice. **TP-LINK®** is a registered trademark of TP-LINK TECHNOLOGIES CO., LTD. Other brands and product names are trademarks or registered trademarks of their respective holders.

No part of the specifications may be reproduced in any form or by any means or used to make any derivative such as translation, transformation, or adaptation without permission from TP-LINK TECHNOLOGIES CO., LTD. Copyright © 2011 TP-LINK TECHNOLOGIES CO., LTD. All rights reserved.

<http://www.tp-link.com>

Product Number: 3101505122

Product Name: Antenna

TP-LINK®

Specification For Approval

Date: _____

File No. : _____

Version: 1.0

Customer: _____ / _____

Customer P/N : _____ / _____

TP-LINK P/N: 3101505122

Description: Antenna|5.15-5.85GHz|0.97dBi|LP|Omni|2W|I-PEX|117mm|D1.37mm|无|

无|X2048-WI117Rev1.0|绿色|否|自制件/X50-PoE/5G 天线 1]

TP-LINK Checked By:
Customer Approved By:

TP-LINK®

TP-LINK TECHNOLOGIES CO., LTD.

South Buiding, No.5 Keyuan Road,
Central Zone, Science&Technology Park,
Nanshan, Shenzhen, P.R.China

TEL: + 86 755 26612350

+ 86 755 26504400

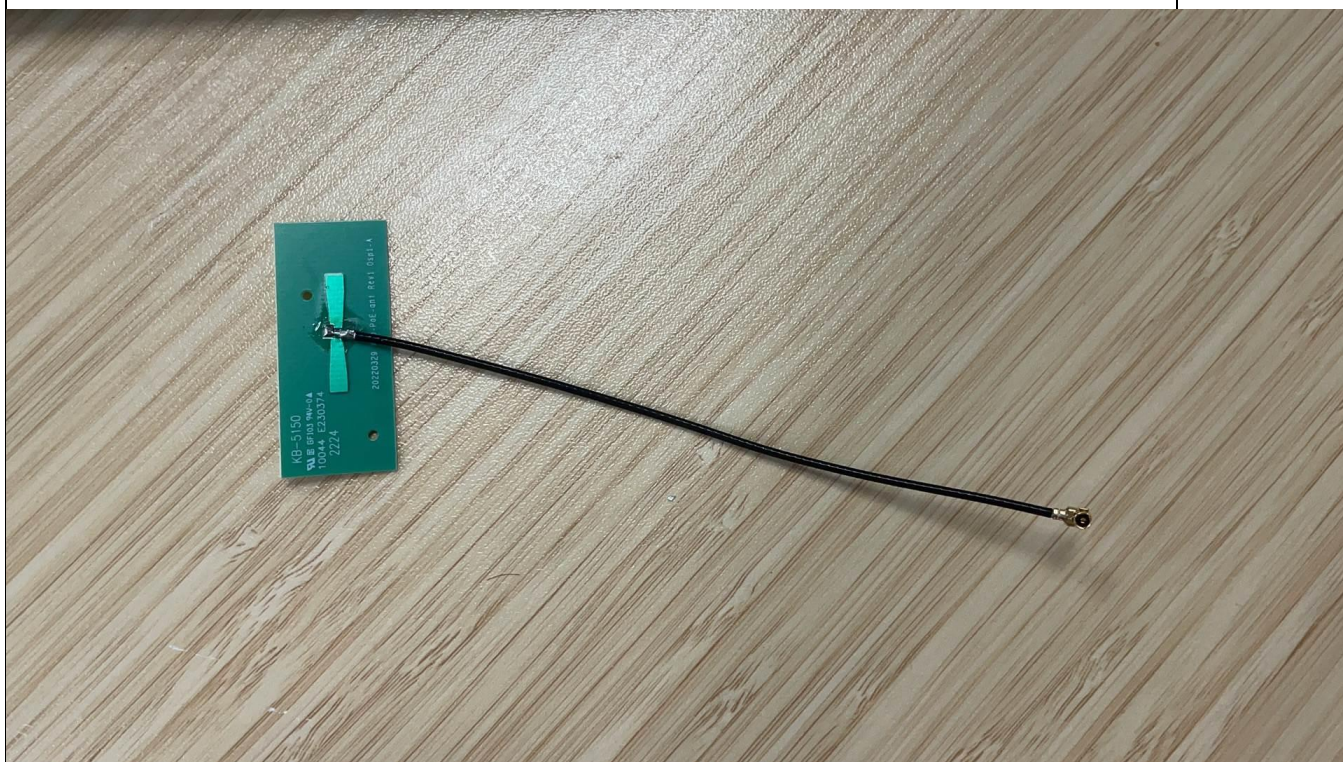
[http:// www.tp-link.com](http://www.tp-link.com)

Index

I. Specification.....	1
II. Characteristics and Reliability Test.....	2
III. Mechanical Drawing and Material Description	3
IV. Antenna – S Parameter Test Data.....	4
V. Antenna – Radiation Pattern Test Data	4
VI. Packing Drawing	6

I. Specification

Sample Photo



A. Electrical Characteristics

Frequency	5150~5850MHz
Impedance	50 Ohm
S.W.R.	<= 2.0
Antenna Type	Dipole
Antenna Gain	0.97dBi
Max Input Power	2 W
Polarization	Linear
Radiation pattern	Omni-Directional

B. Material & Mechanical Characteristics

Material of Radiator	Cu
Cable Type	O.D. 1.37mm (Black)
Connector Type	I-PEX
Connector Pull Test	3Kg

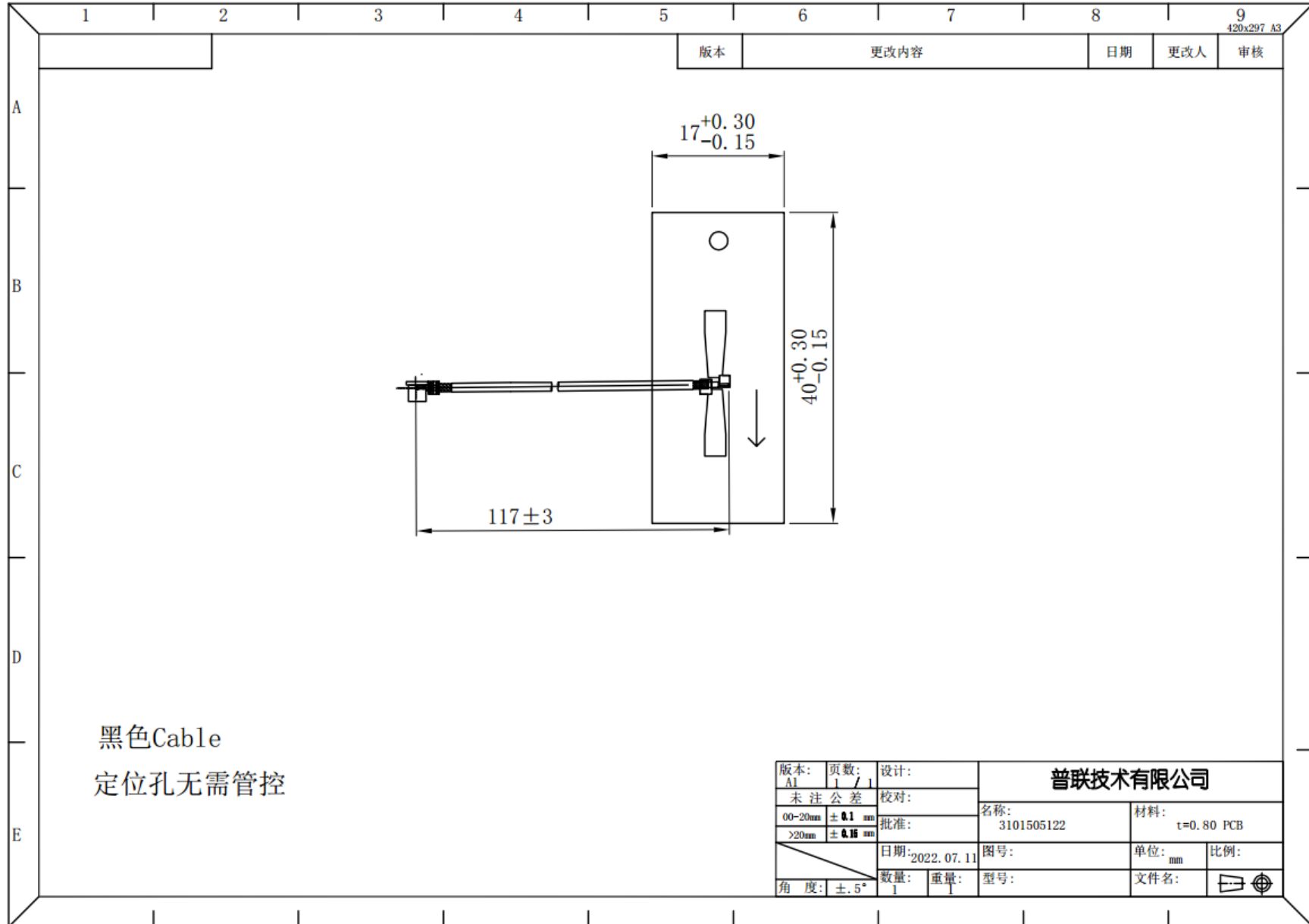
C. Environmental

Operation Temperature	- 40°C ~ + 65°C
Storage Temperature	- 40°C ~ + 70°C

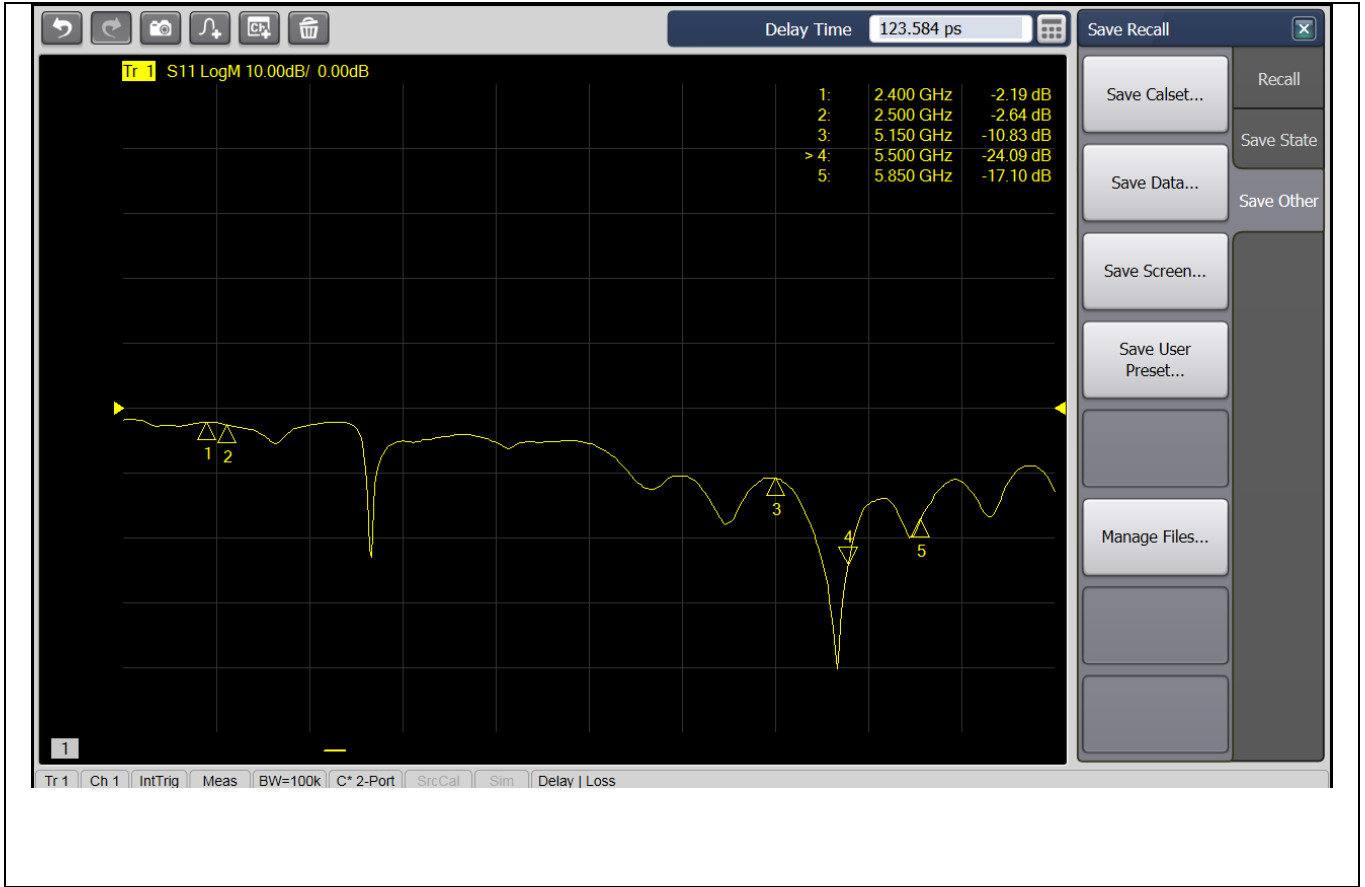
II. Characteristics and Reliability Test

Test Items		Test Condition and Procedure	Requirements
C1	S.W.R.	Set DUT on Network Analyzer; make individual calibration to test	Directive DUT specification
C2	Antenna Gain	Set DUT on Antenna Chamber; make individual calibration to test	Directive DUT specification
M1	Vibration	MIL-STD-202G, 201 A Amplitude: 0.03 inch (0.76mm); Freq: 10 to 55 Hz 3 directions; 2 hours for each direction	1. No Visual Damage 2. Frequency Tol.<=5%
M2	Random Drop	Height: 1.5 Meter; 3 directions; 1 time for each direction	1. No parts separated 2. Frequency Tol.<=5%
M3	Drop Test	Combine DUT with router; Height: 0.6 Meter; 1 direction; 3 times for the direction	1. No parts separated 2. Frequency Tol.<=5%
M4	Solderability	MIL-STD-202G, 210F, cond. A Solder iron: 350+- 10°C; Duration: 5 seconds	1. Mounted on PCB 2. No Visual Damage
M5	Terminal- Pull Test	MIL-STD-202G, 211A, cond. A Holding with individual specification; force applied to axis of terminal	1. Directive DUT specification 2. Frequency Tol.<=5%
M6	Bend Test	3 angles: 0° ,45° ,90° .100 times for each angle	1. No Visual Damage 2. No Obvious shake
M7	Dimension	Inspection of dimension, color, material, package, surface process	Directive DUT specification
E1	Salt Spray	SE-GS-90T Temp: 35°C; RH: 93%±3%; NaCl solution proportion: 1.026 ~ 1.041; Time:12 hours	After 2 Hours Recovery 1. No Visual Damage 2. Frequency Tol.<=5%
E2	Thermal Shock	1Cycle: -40°C (30 minutes) to +70°C (30 minutes) Cycles: 24	After 2 Hours Recovery 1. No Visual Damage 2. Frequency Tol.<=5%
E3	Life (HighTemp.)	MIL-STD-202G,108A, cond. A Temp: 70°C; Time: 8 hours	After 2 Hours Recovery 1. No Visual Damage 2. Frequency Tol.<=5%

III. Mechanical Drawing and Material Description



IV. Antenna – S Parameter Test Data

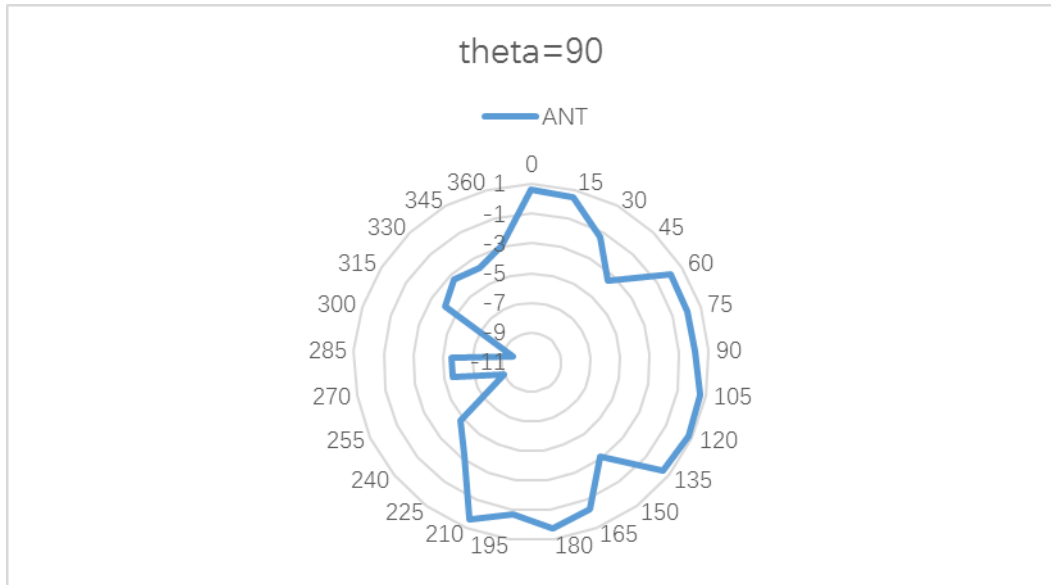


V. Antenna – Radiation Pattern Test Data

Testing Equipment Specification	
Microwave Chamber	Satimo SG24-S
Testing Equipment	Agilent 5071B

Freq. (MHz)	5150	5200	5250	5300	5350	5400	5450	5500	5550	5600	5650
Peak Gain (dBi)	0.94	0.96	0.97	0.94	0.95	0.94	0.93	0.89	0.95	0.89	0.88
Freq. (MHz)	5700	5750	5800	5850							
Peak Gain (dBi)	0.96	0.92	0.94	0.90							

5500MHz



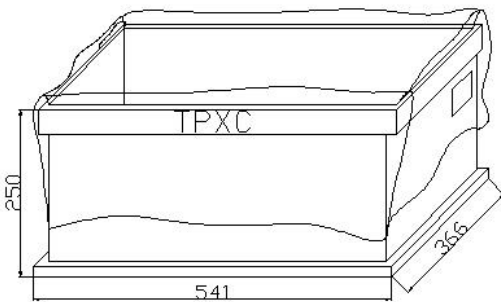
VI. Packing Drawing

i . Put ANT into Plastic Tray (仅作装箱说明)




200PCS/bag

ii. Packing

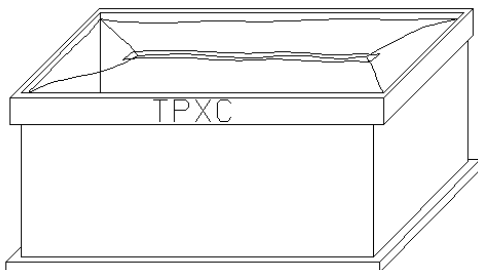


2000PCS/Box

Label

MO:		P/N:		
Specification:				
Quantity:	(PCS)	G.W:	(Kg)	
Date:				
Manufacturer:	Cable manufacturing department			

iii. Sealing



TP-LINK®

Antenna Specification



Product Number: 3101505123

Product Name: Antenna

TP-LINK®

COPYRIGHT & TRADEMARKS

Specifications are subject to change without notice. **TP-LINK®** is a registered trademark of TP-LINK TECHNOLOGIES CO., LTD. Other brands and product names are trademarks or registered trademarks of their respective holders.

No part of the specifications may be reproduced in any form or by any means or used to make any derivative such as translation, transformation, or adaptation without permission from TP-LINK TECHNOLOGIES CO., LTD. Copyright © 2011 TP-LINK TECHNOLOGIES CO., LTD. All rights reserved.

<http://www.tp-link.com>

Product Number: 3101505123

Product Name: Antenna

TP-LINK®

Specification For Approval

Date: _____

File No. : _____

Version: 1.0

Customer: _____ / _____

Customer P/N : _____ / _____

TP-LINK P/N: 3101505123

Description: Antenna|5.15-5.85GHz|0.97dBi|LP|Omni|2W|I-PEX|85mm|D1.37mm|无|无|X2055-WI085Rev1.0|绿色|否|[自制件/X50-PoE/5G 天线 2]

TP-LINK Checked By:
Customer Approved By:

TP-LINK®

TP-LINK TECHNOLOGIES CO., LTD.

South Buiding, No.5 Keyuan Road,
Central Zone, Science&Technology Park,
Nanshan, Shenzhen, P.R.China

TEL: + 86 755 26612350

+ 86 755 26504400

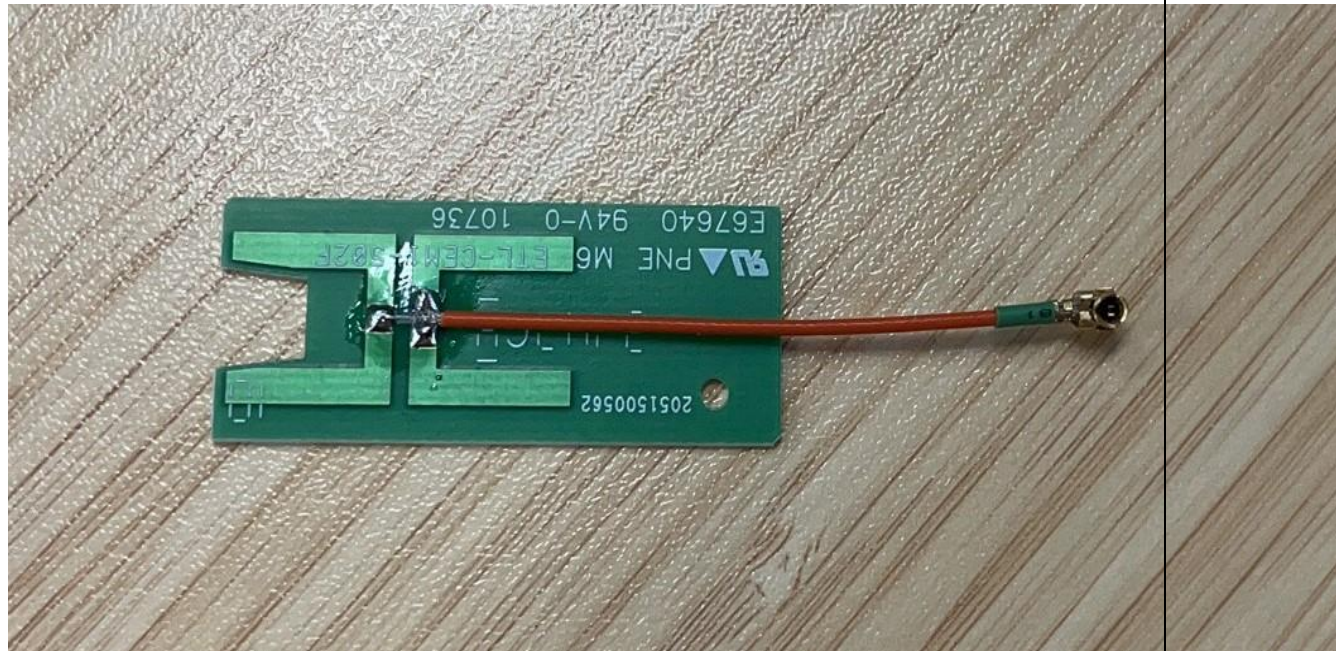
[http:// www.tp-link.com](http://www.tp-link.com)

Index

I.	Specification	1
II.	Characteristics and Reliability Test.....	2
III.	Mechanical Drawing and Material Description	3
IV.	Antenna – S Parameter Test Data	4
V.	Antenna – Radiation Pattern Test Data	4
VI.	Packing Drawing	6

I. Specification

Sample Photo



A. Electrical Characteristics

Frequency	5150~5850MHz
Impedance	50 Ohm
S.W.R.	≤ 2.0
Antenna Type	Dipole
Antenna Gain	0.97dBi
Max Input Power	2 W
Polarization	Linear
Radiation pattern	Omni-Directional

B. Material & Mechanical Characteristics

Material of Radiator	Cu
Cable Type	O.D. 1.13mm (Orange)
Connector Type	I-PEX
Connector Pull Test	3Kg

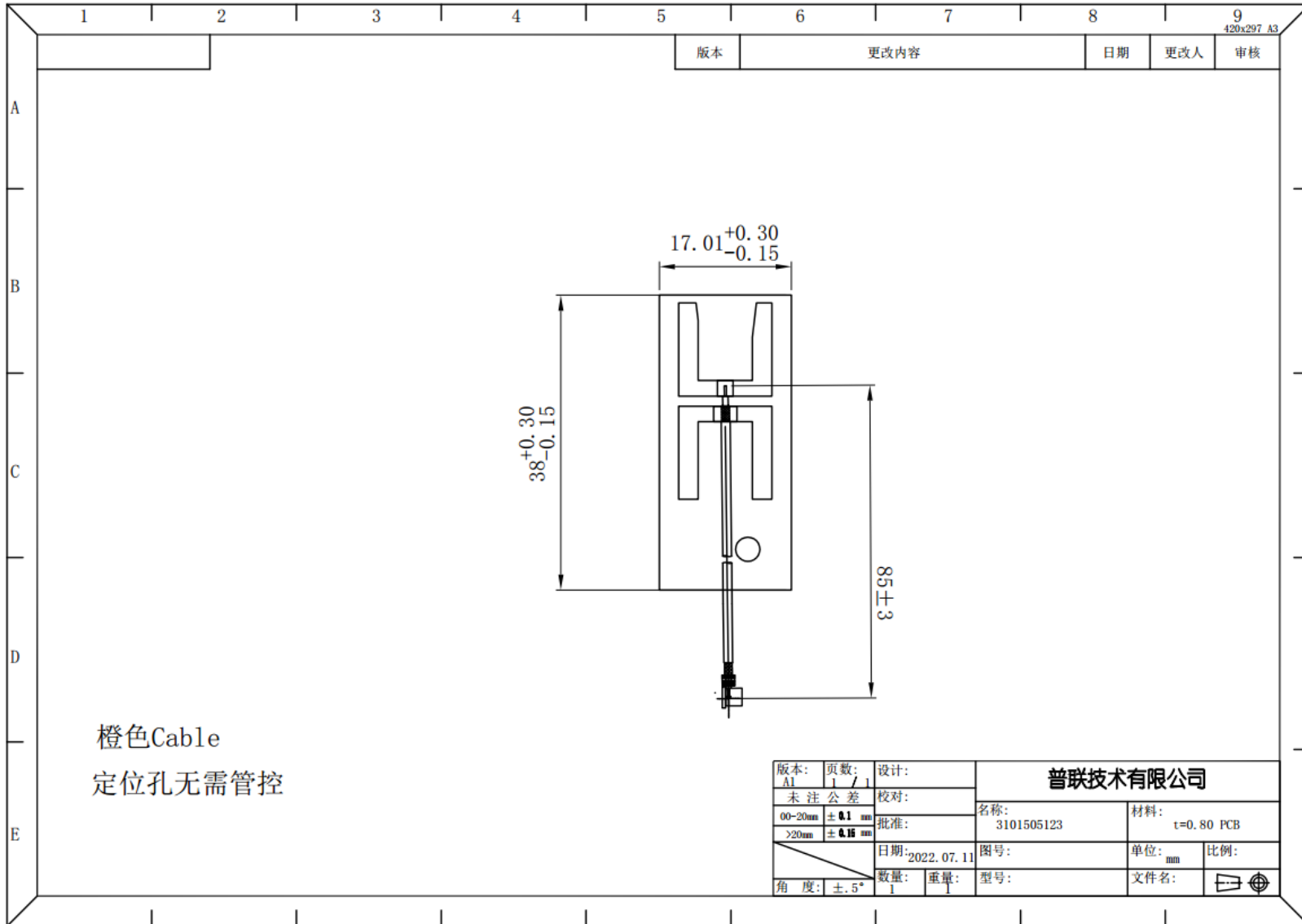
C. Environmental

Operation Temperature	- 40°C ~ + 65°C
Storage Temperature	- 40°C ~ + 70°C

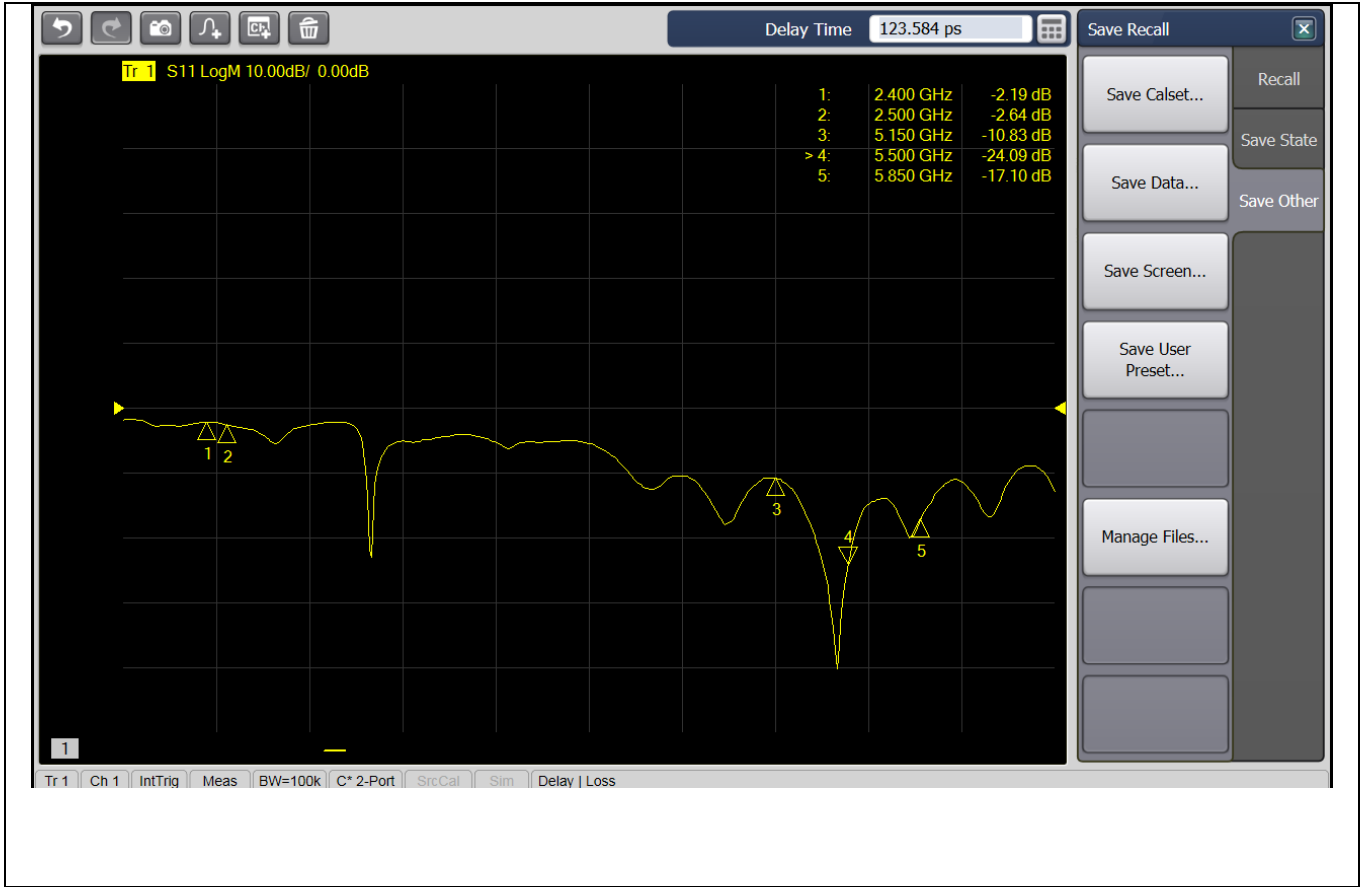
II. Characteristics and Reliability Test

Test Items		Test Condition and Procedure	Requirements
C1	S.W.R.	Set DUT on Network Analyzer; make individual calibration to test	Directive DUT specification
C2	Antenna Gain	Set DUT on Antenna Chamber; make individual calibration to test	Directive DUT specification
M1	Vibration	MIL-STD-202G, 201 A Amplitude: 0.03 inch (0.76mm); Freq: 10 to 55 Hz 3 directions; 2 hours for each direction	1. No Visual Damage 2. Frequency Tol. <=5%
M2	Random Drop	Height: 1.5 Meter; 3 directions; 1 time for each direction	1. No parts separated 2. Frequency Tol. <=5%
M3	Drop Test	Combine DUT with router; Height: 0.6 Meter; 1 direction; 3 times for the direction	1. No parts separated 2. Frequency Tol. <=5%
M4	Solderability	MIL-STD-202G, 210F, cond. A Solder iron: 350+- 10°C; Duration: 5 seconds	1. Mounted on PCB 2. No Visual Damage
M5	Terminal- Pull Test	MIL-STD-202G, 211A, cond. A Holding with individual specification; force applied to axis of terminal	1. Directive DUT specification 2. Frequency Tol. <=5%
M6	Bend Test	3 angles: 0° ,45° ,90° .100 times for each angle	1. No Visual Damage 2. No Obvious shake
M7	Dimension	Inspection of dimension, color, material, package, surface process	Directive DUT specification
E1	Salt Spray	SE-GS-90T Temp: 35°C; RH: 93%±3%; NaCl solution proportion: 1.026 ~ 1.041; Time:12 hours	After 2 Hours Recovery 1. No Visual Damage 2. Frequency Tol. <=5%
E2	Thermal Shock	1Cycle: -40°C (30 minutes) to +70°C (30 minutes) Cycles: 24	After 2 Hours Recovery 1. No Visual Damage 2. Frequency Tol. <=5%
E3	Life (HighTemp.)	MIL-STD-202G,108A, cond. A Temp: 70°C; Time: 8 hours	After 2 Hours Recovery 1. No Visual Damage 2. Frequency Tol. <=5%

III. Mechanical Drawing and Material Description



IV. Antenna – S Parameter Test Data

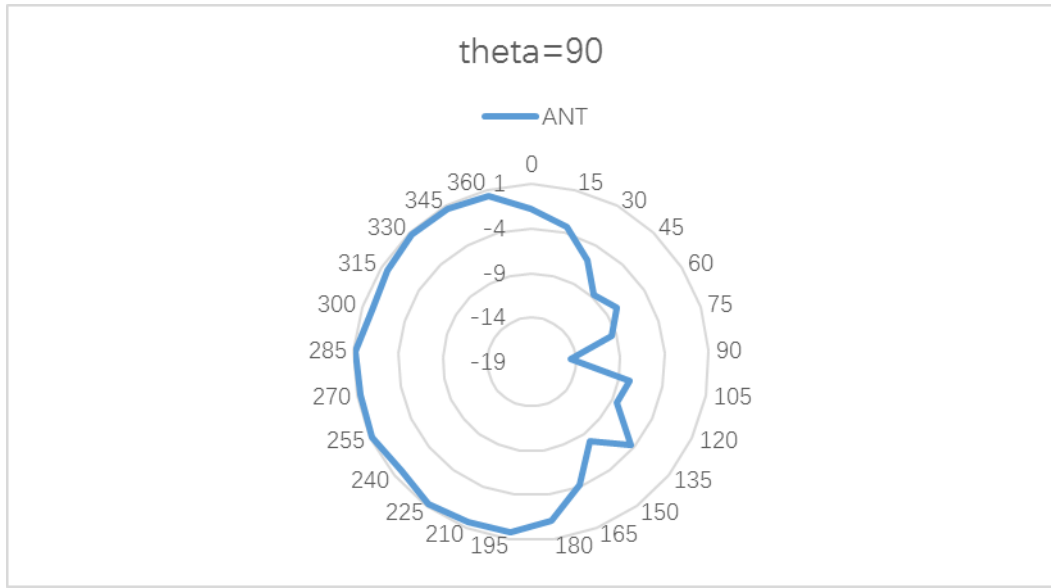


V. Antenna – Radiation Pattern Test Data

Testing Equipment Specification	
Microwave Chamber	Satimo SG24-S
Testing Equipment	Agilent 5071B

Freq. (MHz)	5150	5200	5250	5300	5350	5400	5450	5500	5550	5600	5650
Peak Gain (dBi)	0.97	0.93	0.97	0.88	0.92	0.89	0.92	0.95	0.96	0.90	0.93
Freq. (MHz)	5700	5750	5800	5850							
Peak Gain (dBi)	0.94	0.96	0.91	0.83							

5500MHz



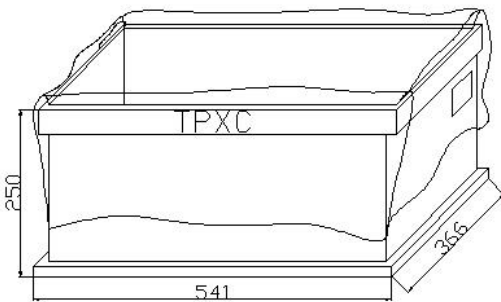
VI. Packing Drawing

i . Put ANT into Plastic Tray (仅作装箱说明)




200PCS/bag

ii. Packing



2000PCS/Box

Label

MO:		P/N:		
Specification:				
Quantity:	(PCS)	G.W:	(Kg)	
Date:				
Manufacturer:	Cable manufacturing department			

iii. Sealing

