

Antenna Specification

Product Model: Archer T4U (US)

Version: 1.0

Date: _____

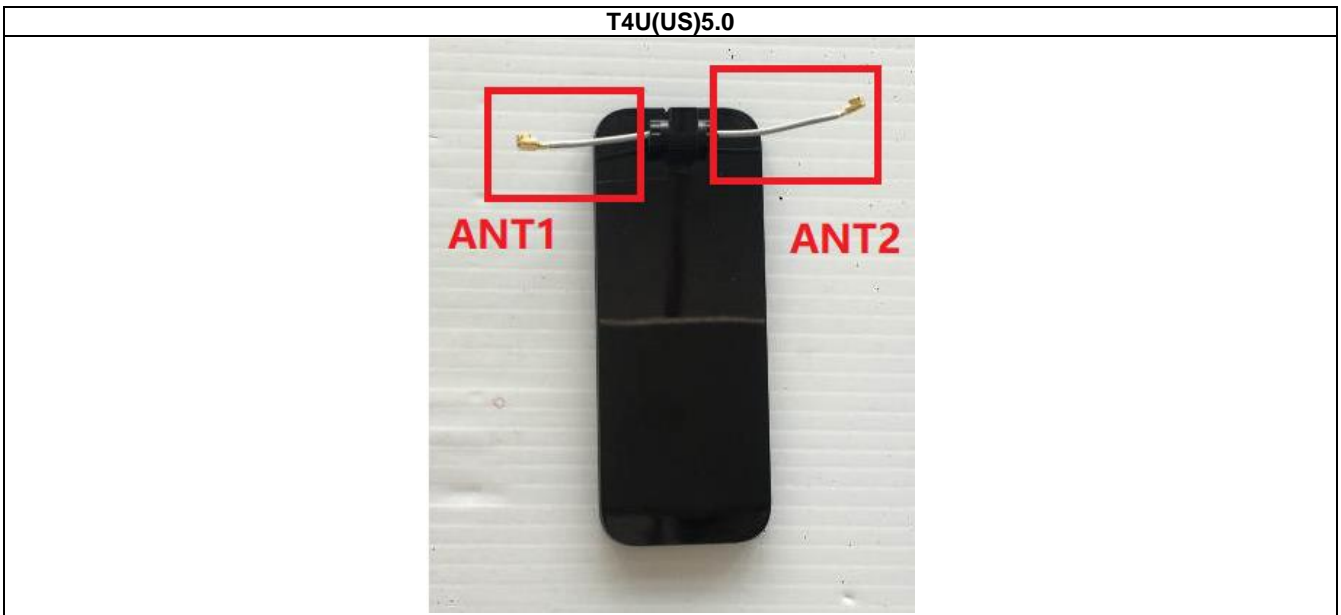
Checked By: _____

TP-Link Corporation Limited
Room 901, 9/F. , New East Ocean Centre, 9 Science Museum
Road, Tsim Sha Tsui, Kowloon, Hong Kong

Index

I.	Antenna Distribution.....	3
II.	Electrical Characteristics	3
III.	Antenna Peak Gain.....	4
IV.	Antenna Radiation Pattern	4

I. Antenna Distribution



II. Electrical Characteristics

Ant1	
Frequency	2400-2500MHz&5150MHz-5850MHz
Impedance	50Ohm
Antenna Type	Dipole
Antenna Gain	2.00dBi@2400-2500MHz 3.00dBi@5150MHz-5850MHz
Radiation pattern	Omni-Directional

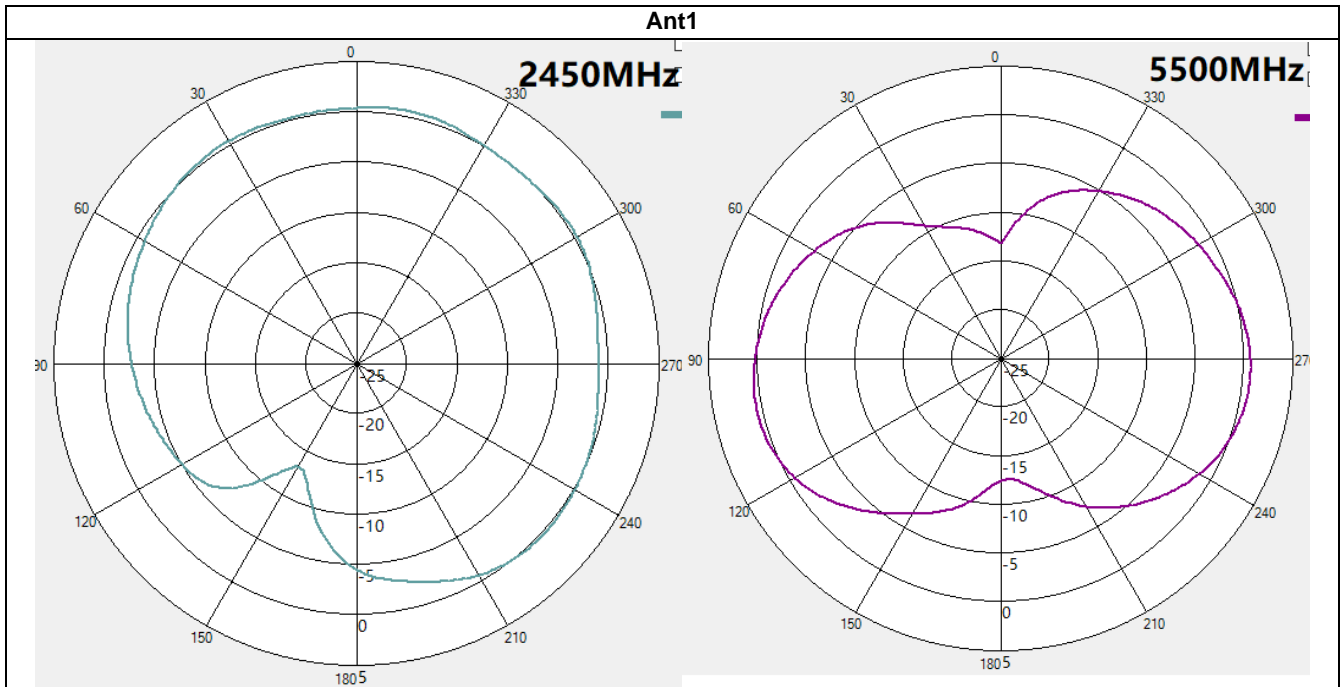
Ant2	
Frequency	2400-2500MHz&5150MHz-5850MHz
Impedance	50Ohm
Antenna Type	Dipole
Antenna Gain	2.00dBi@2400-2500MHz 3.00dBi@5150MHz-5850MHz
Radiation pattern	Omni-Directional

III. Antenna Peak Gain

Ant1											
Freq(MHz)	2400	2410	2420	2430	2440	2450	2460	2470	2480	2490	2500
Gain(dBi)	0.97	1.20	1.41	1.59	1.73	1.86	1.94	1.98	1.97	2.00	1.98
Freq(MHz)	5150	5200	5250	5300	5350	5400	5450	5500	5550	5600	5650
Gain(dBi)	2.03	2.24	2.47	2.62	2.62	2.54	2.72	2.71	2.66	2.46	2.38
Freq(MHz)	5700	5750	5800	5850							
Gain(dBi)	2.38	2.43	2.74	3.00							

Ant2											
Freq(MHz)	2400	2410	2420	2430	2440	2450	2460	2470	2480	2490	2500
Gain(dBi)	0.81	1.03	1.15	1.11	1.12	1.23	1.29	1.40	1.68	1.88	2.00
Freq(MHz)	5150	5200	5250	5300	5350	5400	5450	5500	5550	5600	5650
Gain(dBi)	1.25	1.81	1.76	1.57	1.50	1.59	2.26	1.47	2.26	2.75	2.14
Freq(MHz)	5700	5750	5800	5850							
Gain(dBi)	2.51	2.62	2.77	3.00							

IV. Antenna Radiation Pattern



Ant2

