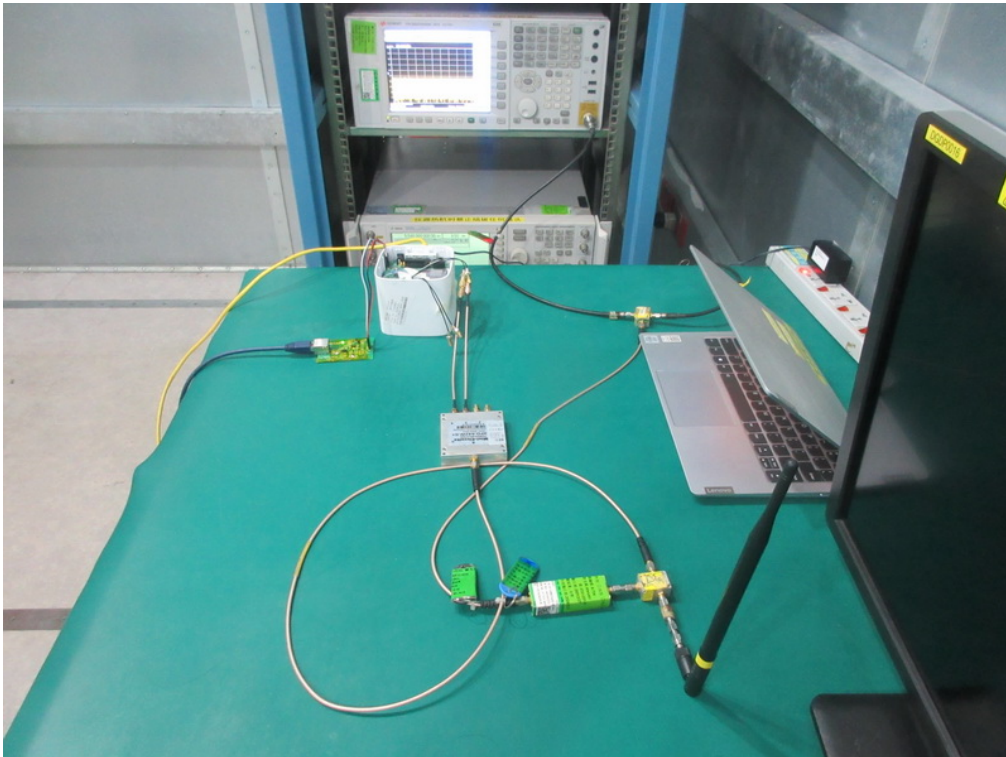
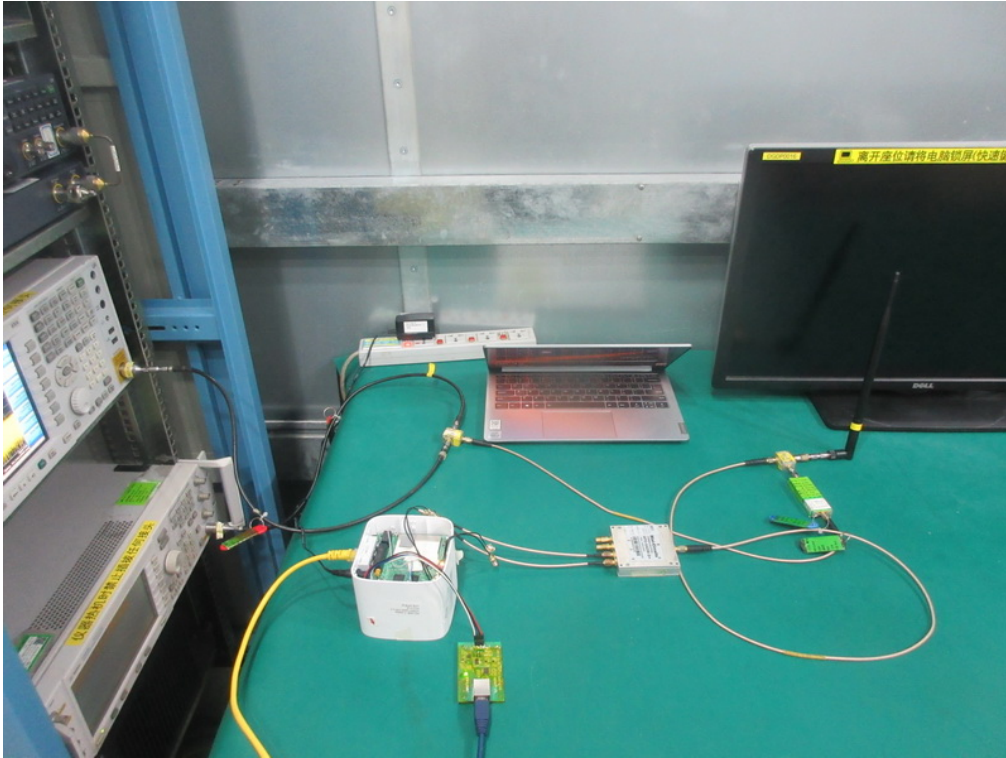
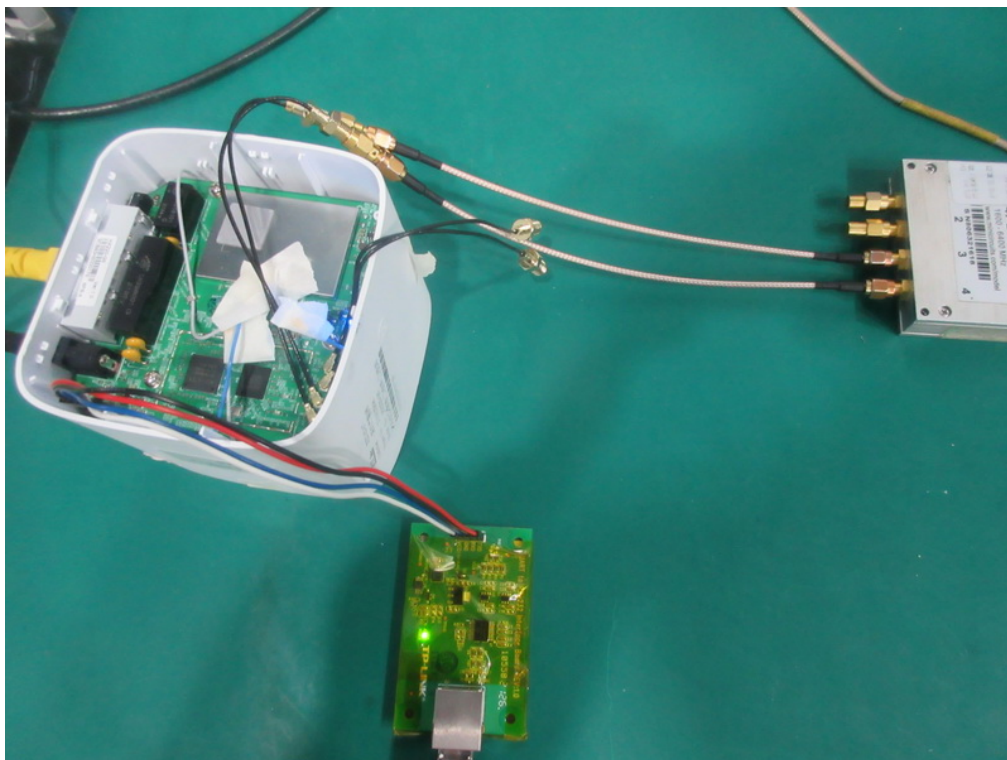


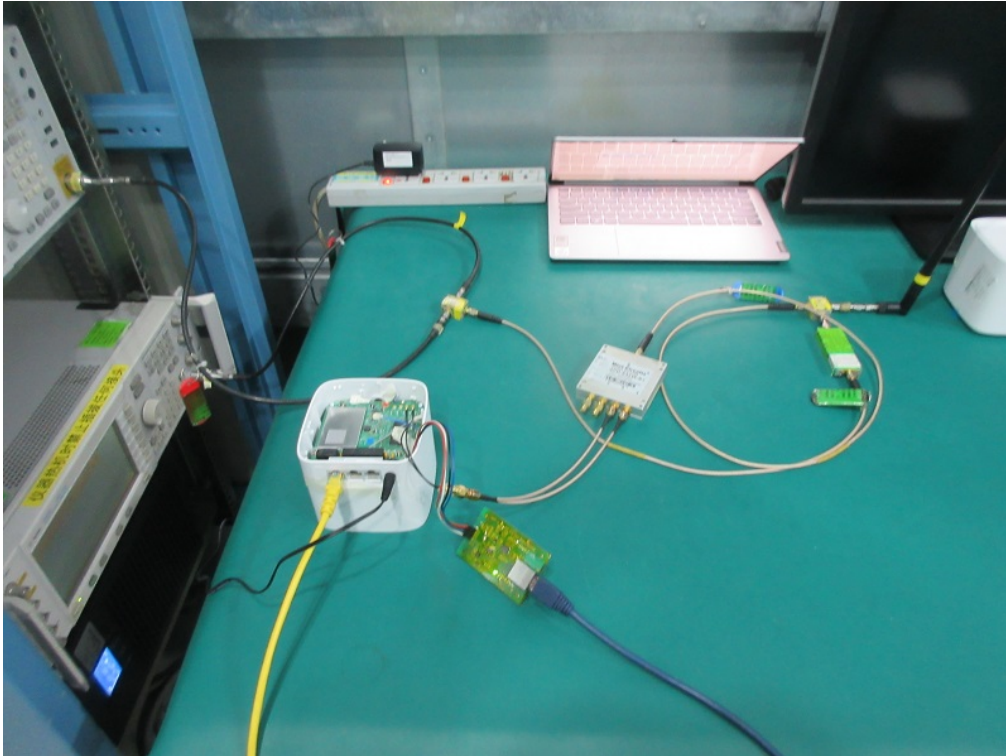
9. EUT TEST PHOTO

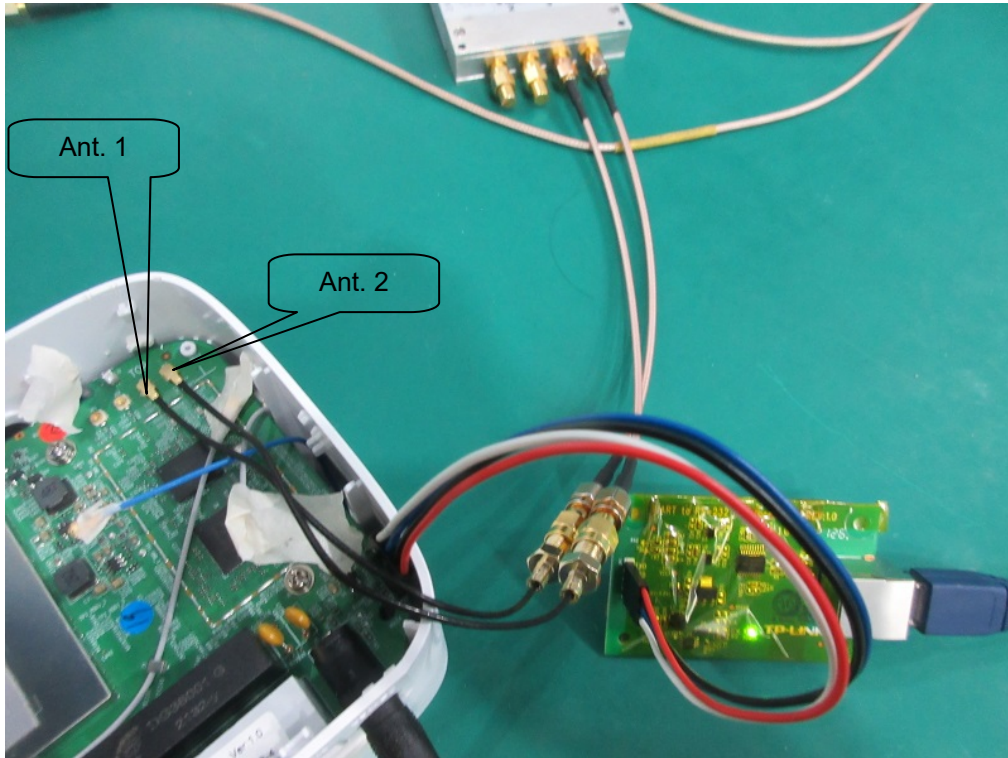
Master





Mesh





End of Test Report