

CREALITY

Create reality, achieve dreams

Sermoon D3

Sermoon D3



# 3D Printer User Manual

V1.0

## Dear Users

Thank you for choosing our products. For the best experience, please read this User Manual carefully and strictly follow the instructions to operate the printer. Our teams will always be ready to provide you with the best services. Please contact us via the phone number or e-mail address provided at the end of this User Manual when you encounter any problem with the printer. For a better experience in using our products, you can also learn how to use the printer in the following ways: Accompanied instructions: you can find the relevant instructions and videos in the USB flash disk.

You can also visit our official website (<https://www.creality.com>) to find information regarding software, hardware, contact information, device instructions, device warranty information, and more.

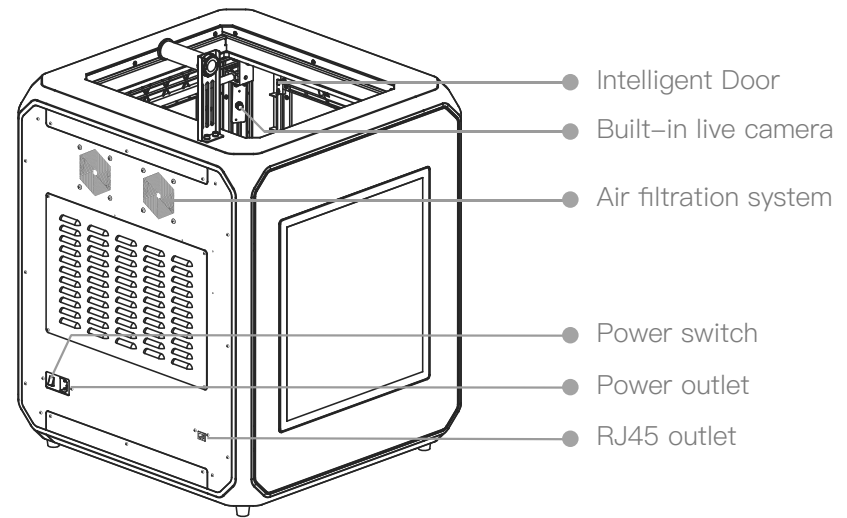
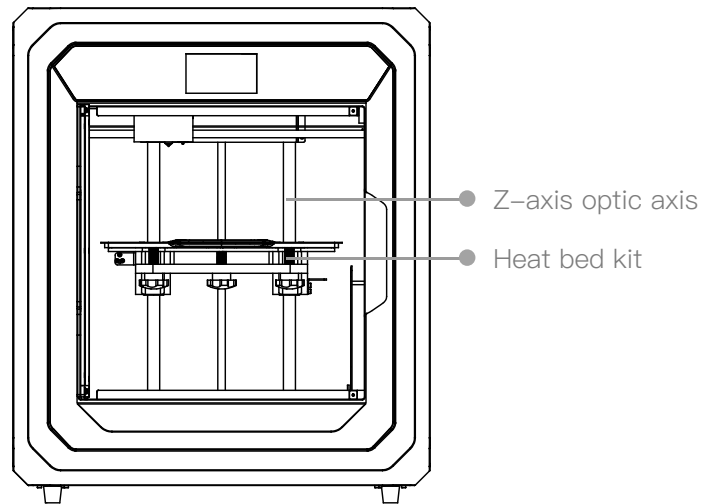
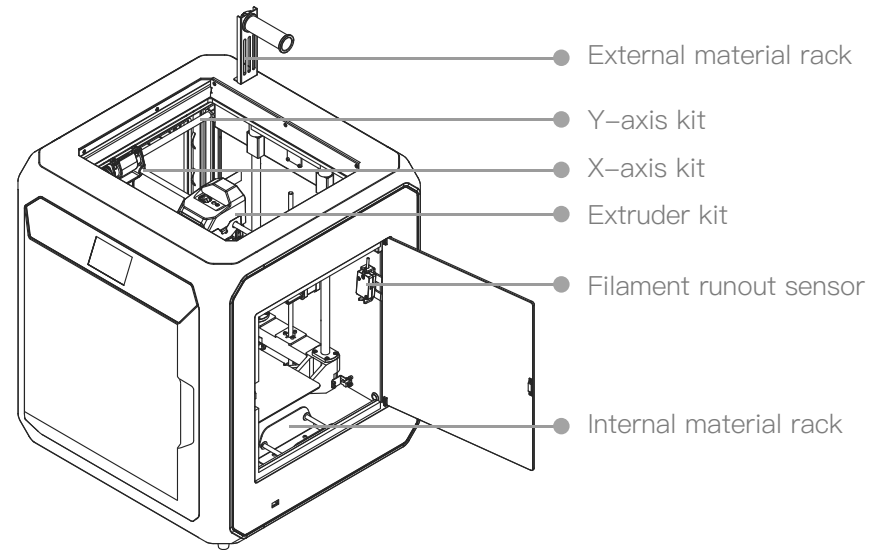
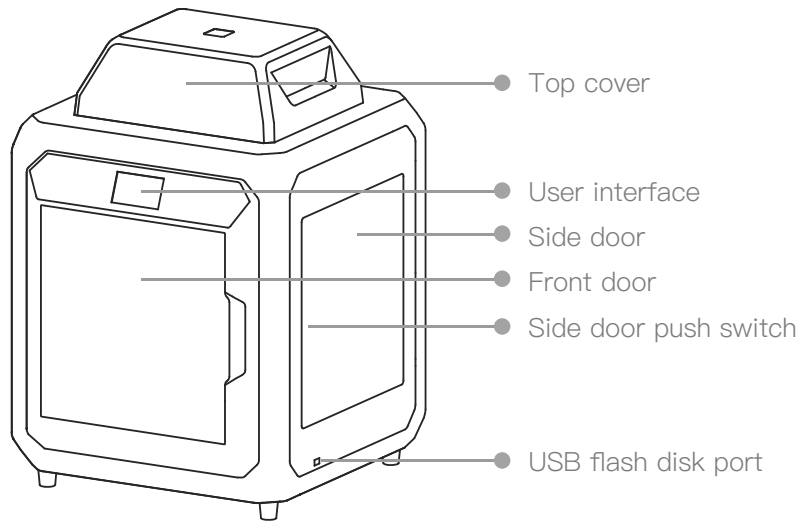
## NOTES

- 1 Do not use the printer in any way other than described herein in order to avoid personal injury or property damage;
- 2 Do not place the printer near any heat source or flammable or explosive objects. We suggest placing it in a well-ventilated, cool and dustless environment;
- 3 Do not expose the printer to a violent vibration or any other unstable environment, as this may cause poor print quality;
- 4 Please use recommended filaments to avoid clogging of the extrusion head and causing damage to the machine;
- 5 Do not use the power cable of other products during installation. Always use a grounded three-prong power outlet, which accompanies the printer;
- 6 Do not touch the nozzle and the heated bed during operation to avoid burns or personal injury;
- 7 Do not wear gloves or wraps while operating the machine to prevent entrapment of movable parts that could cause crushing and cutting injuries to bodily parts;
- 8 Use the provided tools to clean the filament from the extruder in time taking advantage of the residual temperature after printing. Do not touch the extruder directly when cleaning, otherwise it may cause burns;
- 9 Clean the printer frequently. Clean the printer body with a dry cloth regularly after powering off the printer, wipe away dust, bonded print filament and foreign objects on the guide rails;
- 10 Children under 10 years old should not use the printer without supervision, otherwise it may cause personal injury;
- 11 Users should comply with the laws and regulations of the corresponding countries and regions where the equipment is located (used), abide by professional ethics, pay attention to safety obligations, and strictly prohibit the use of our products or equipment for any illegal purposes; Creality will not be responsible for any violators' legal liability under any circumstance;
- 12 Tip: Do not plug in or unplug wires on a charged basis.

<b>1. About the Device</b> .....	<b>03-05</b>
1.1 About the Printer .....	03-03
1.2 Device Specifications .....	04-04
1.3 Packing List .....	05-05
<b>2. About the User Interface</b> .....	<b>06-06</b>
<b>3. First Printing</b> .....	<b>07-13</b>
3.1 Unboxing .....	07-08
3.2 Filament Loading .....	09-09
3.3 Start Printing .....	10-10
3.3.1 USB flash disk Printing .....	10-12
3.3.2 LAN Printing .....	13-13
<b>4 Functional Specification</b> .....	<b>14-19</b>
4.1 Platform Calibration .....	14-14
4.2 Filament Retreat .....	15-15
4.3 Network Settings .....	16-16
4.4 Bind the Creality Cloud .....	17-18
4.5 Description of External Material Rack .....	19-19
<b>5. Tips and Routine Maintenance</b> .....	<b>20-25</b>
5.1 Maintenance Items .....	20-20
5.2 Error Code Instructions .....	21-21
5.3 Instructions for Maintenance .....	22-25

# 1. About the Device

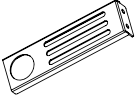
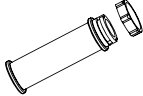
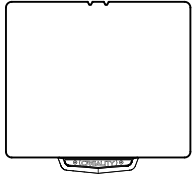
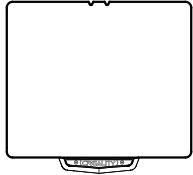
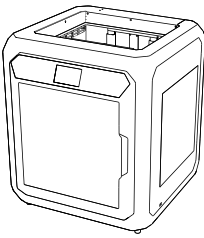

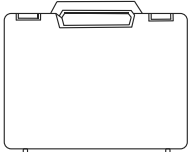


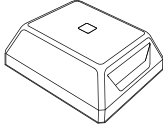

## 1.1 About the Printer



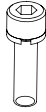
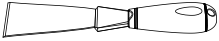

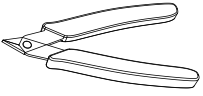




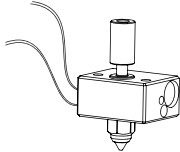


## 1.2 Device Specifications

General Specifications	
Product Model	Sermoon D3
Dimensions	553*576*656mm
Max.Build Dimensions	300*250*300mm
Rated Voltage	100–240V~,50/60Hz
Rated Power	500W
Ambient Temperature	10°C–30°C
Extruder	Sprite Direct Drive
Number of Nozzles	1
Nozzle Diameter	0.4mm
Slicing Thickness	0.1–0.4mm
Precision	±0.1mm
Printing Speed	Standard printing speed: 100 mm/s; PLA max printing speed: 150 mm/s; ABS max printing speed: 250 mm/s
Filament Diameter	1.75mm
Supported Filament	ABS/PLA/PETG/ASA/PET/TPU95A
Max. Heated Bed Temperature	≤110 °C
Max. Nozzle Temperature	≤300 °C
User Interface	4.3 inch touch screen
Print Interface	USB flash disk printing / LAN printing / Cloud printing
Connection	USB flash disk/WIFI/RJ45
Supported Slicing Software	Crealty Print/Crealty Slicer/Cura/Simplify3D
File Format	STL/OBJ/3MF
PC Operating Systems	Windows/Mac OS/Linux
Power Loss Recovery	Yes
Filament Detection	Yes
Intelligent Door	Yes
Auto Leveling	Yes
Air Filtration	Yes
Built-In Live Camera	Yes

### 1.3 Packing List

- |   |   |   |   |   |   |
|---|---|---|---|---|---|
|  |  |  |  |  |   |
| 1 Material Rack x1  | 2 Spool & Nut x1  | 3 PC Plate x1   | 4 PEI Plate x1  | 5 Printer x1  |   |
|  |  |    |  |  |  |
| 6 Quick Guide x1  | 7 Tool Box x1   | 8 Filament x1   | 9 Power Cable x1  | 10 Clear Top Cover x1   | 11 Teflon tube x1   |

#### Tool Box List

- |   |   |  |   |   |   |
|---|---|--|---|---|---|
|    |    |   |    |    |   |
| 12 Material rack screws x2  | 13 Blade x1   | 14 Wrench and Screwdriver  | 15 Cutting Plier x1   | 16 Socket spanner x1  |   |
|  |  |  |  |  |  |
| 17 Extruder Cleaner x1  | 18 USB flash disk x1  | 19 Lubricating Grease x1   | 20 0.6mm Hardened Steel Nozzle Heat Block x1  | 21 Glue Stick x1  | 22 Brush x1   |

\* Tips: the above accessories are for reference only. Please refer to the physical accessories!

## 2. About the User Interface



- Set extruder temperature
- Set heated bed temperature
- Set print rate

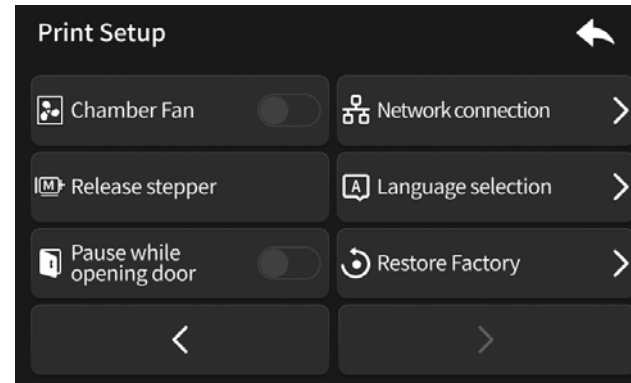
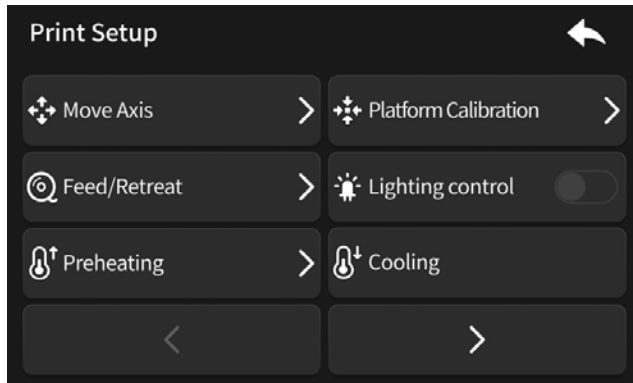


1. No further temperature setting or printing operation within 30 minutes after the temperature of extruder has been set, and the extruder starts to cool down.
2. After the temperature of hotbed has been set and there is no re-setting or printing operation within 60 minutes, the hotbed starts to cool down.



Tips: The current interface is for reference only. Due to the continuous upgrading of functions, it shall be subject to the latest firmware UI published on the official website.

1. On the homepage, you can set the extruder heated bed temperature and click on the Print File to enter the file selection page.

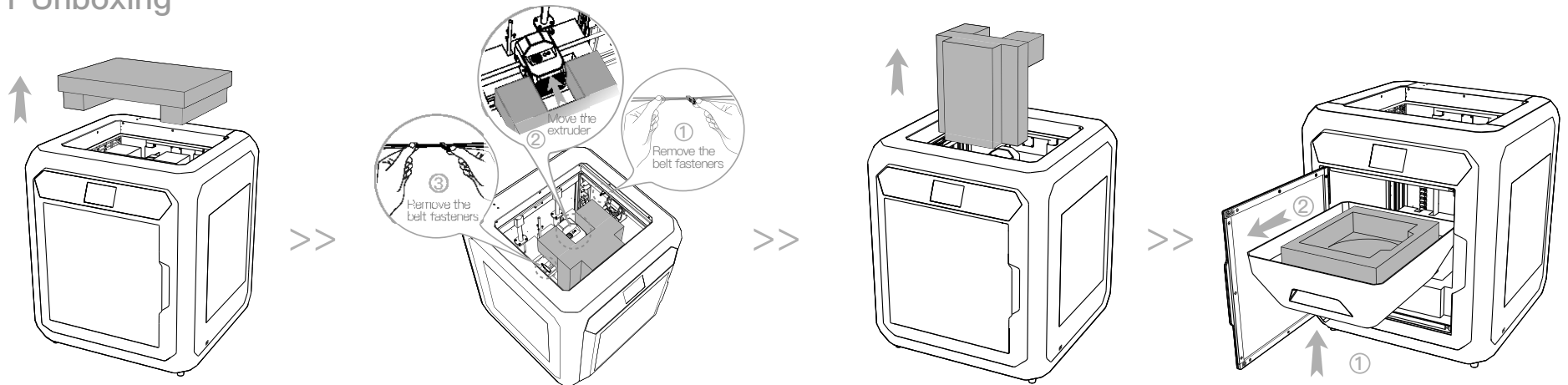


2. Axis Movement: manipulate the XYZ axes of the machine.  
Platform Calibration: calibrate the printing platform.  
Feed/Retreat: automatic feed and retreat  
Lighting Control: switch on/off the lighting in the cavity.  
Preheating: preheat the extruder and heat bed.  
Cooling: stop the preheating of extruder and heated bed.

3. Chamber Fan: turn on/off the chamber fan.  
Network Connection: set the network for the machine.  
Release Stepper: by clicking it, the extruder can be dragged around at will.  
Language: select the UI language.  
Intelligent Door Pause: When this function is enabled, the machine will pause printing immediately when the front door is opened; this function is OFF by default.  
Factory Reset: restore the factory settings.

## 3. First Printing

### 3.1 Unboxing

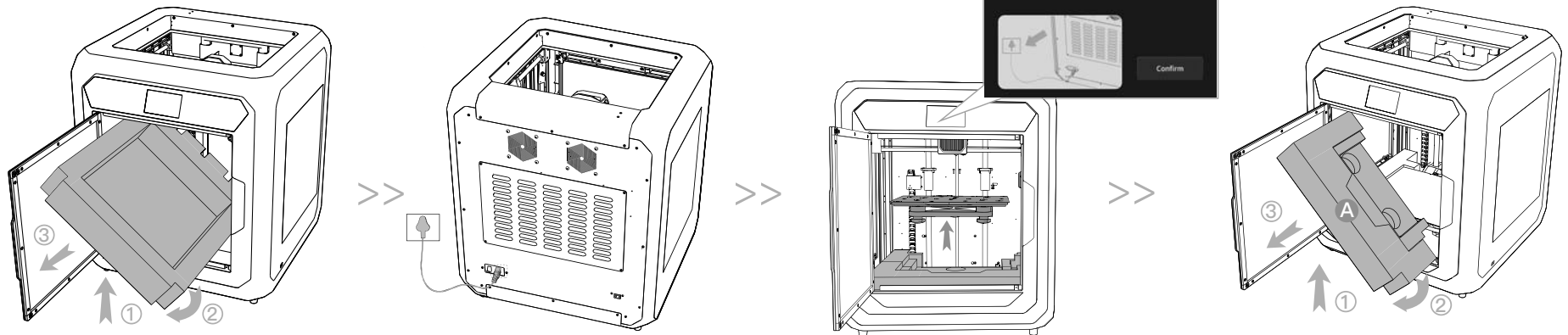


1. Remove the top foam.

2. Remove the belt fasteners and move the extruder kit in the order shown.

3. Remove the foam that holds the extruder.

4. Lift the transparent cover in order and then remove it in a horizontal position.



5. Remove the foam tray at the bottom of the transparent cover in the order shown in the figure.

6. Switch on the power.

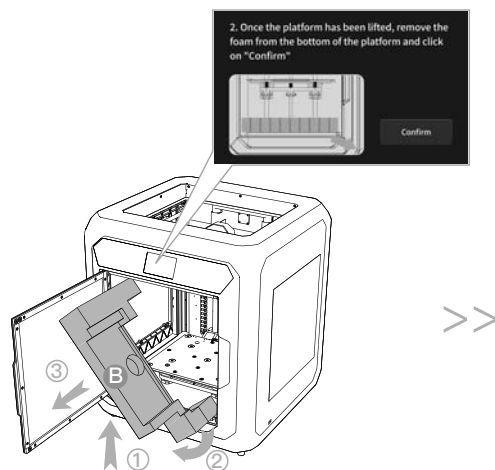
7. After switching on the power, click on "Confirm" and lift the printing platform.

8. Remove the bottom foam A from the platform in order shown in the figure.

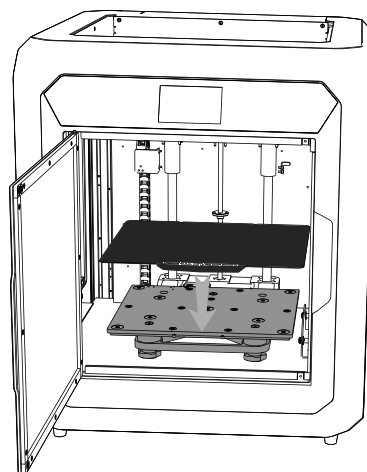


## 3. First Printing

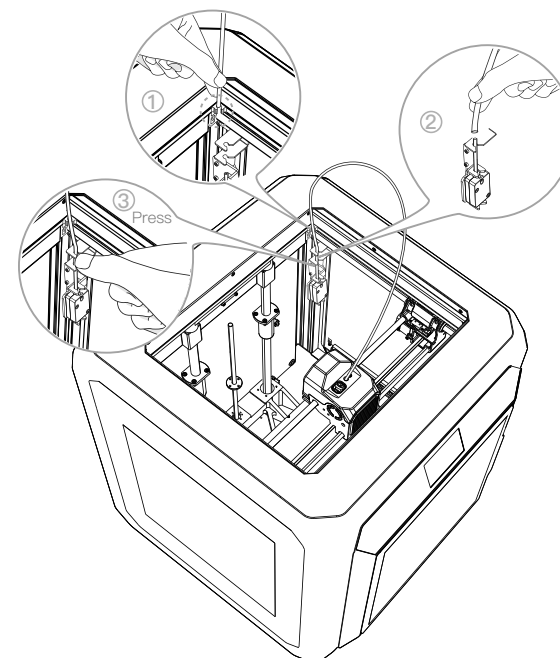
### 3.1 Unboxing



9. Remove foam B from the bottom of the platform in order as shown and click on "Confirm".

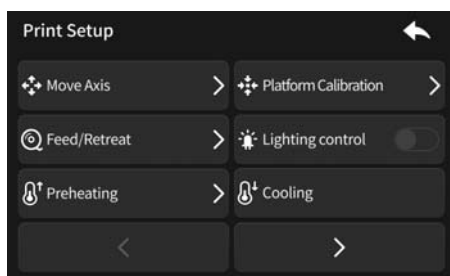


10. Place the printing plate (to be placed tight against the printing platform).

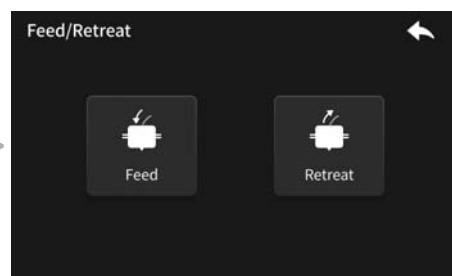


11. Thread the thick Teflon Tube through the fixing hole from top to bottom, then the thin Teflon Tube on the Filament Detection module and finally press the thick Teflon Tube into the clips.

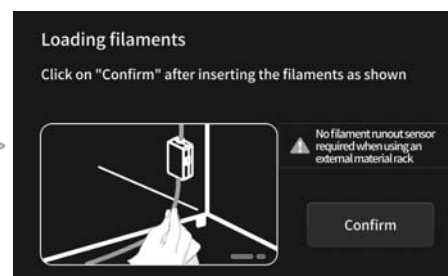
## 3.2 Filament Loading



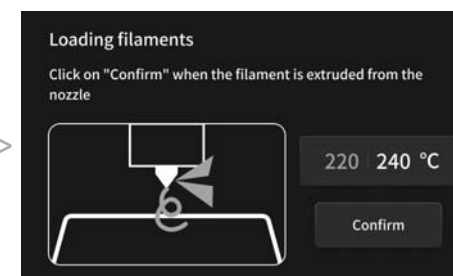
1. Click on Print Settings → Feed/Retreat



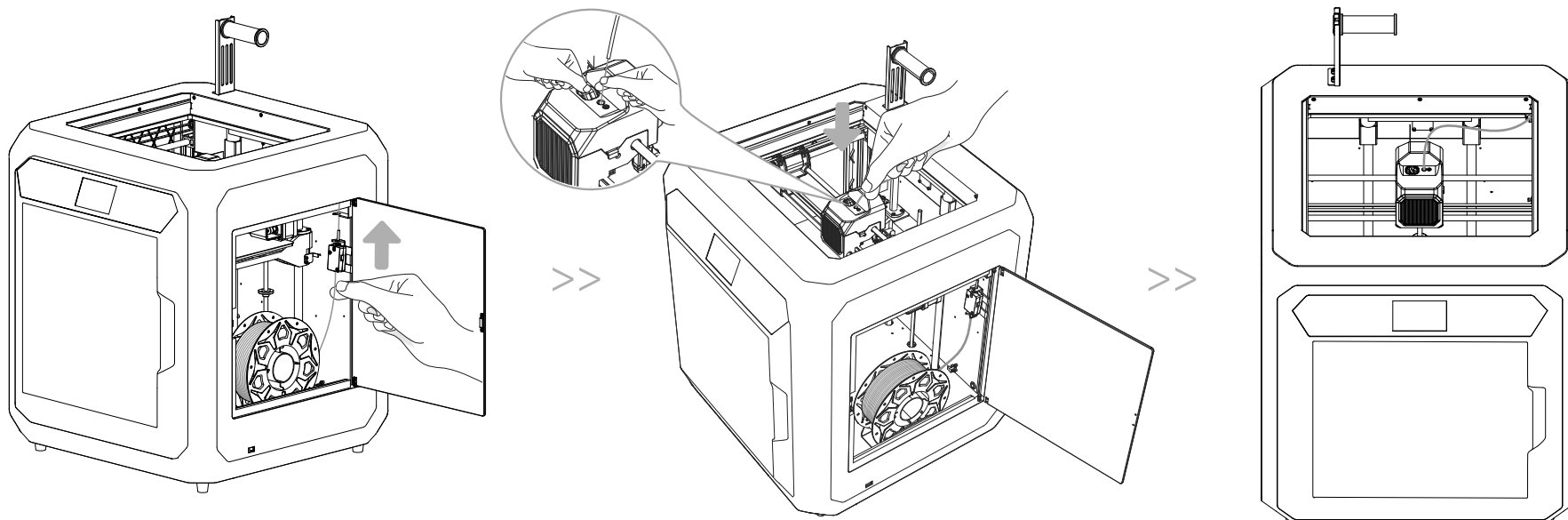
2. Click on Feed



3. Load filaments as prompted by the figure.



4. Complete filaments loading by following the UI prompts.



Tips: The current interface is for reference only. Due to the continuous upgrading of functions, it shall be subject to the latest firmware UI published on the official website.

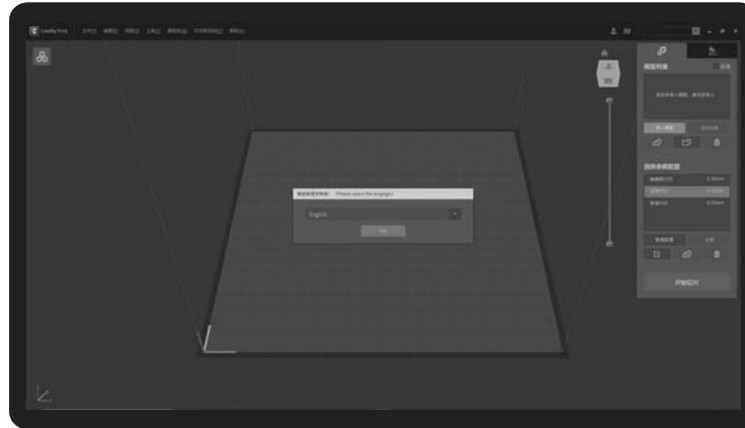
## 3.3 Start Printing

### 3.3.1 USB flash drive printing

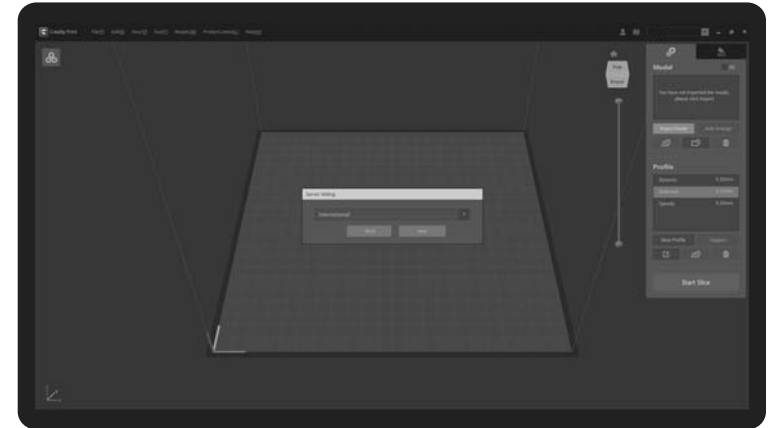
Creality Print



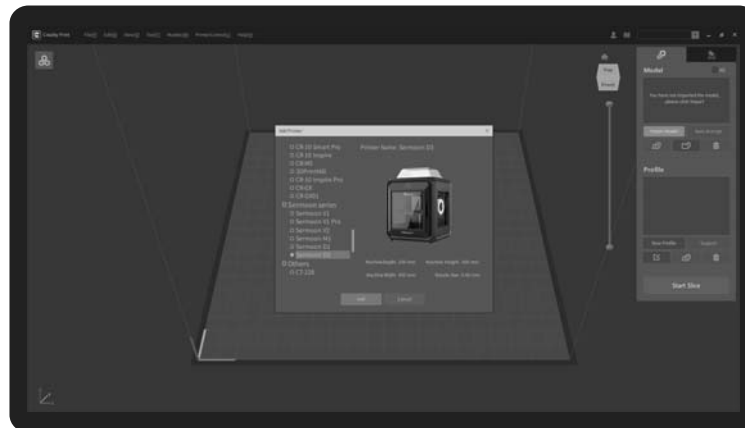
1. Download at (www.creality.com) or find the software on a USB flash drive and install it.



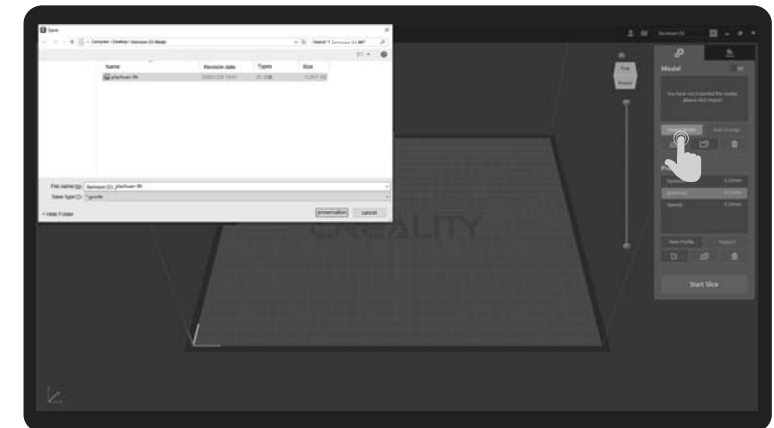
2. Choose a language



3. Choose a region



4. Choose a Printer

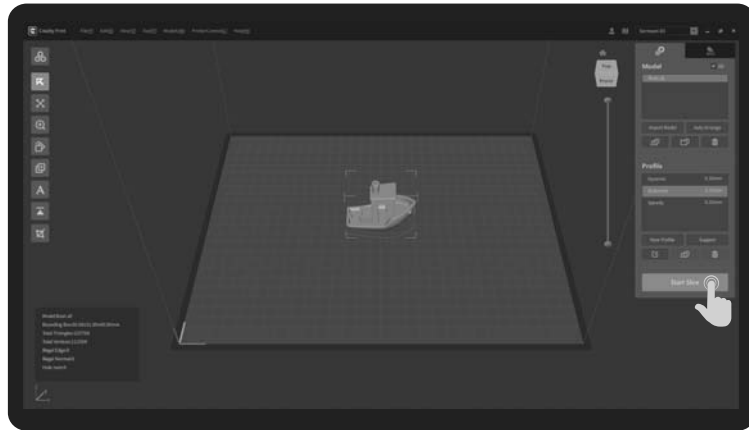


5. Click on "Import Model" and select the model file

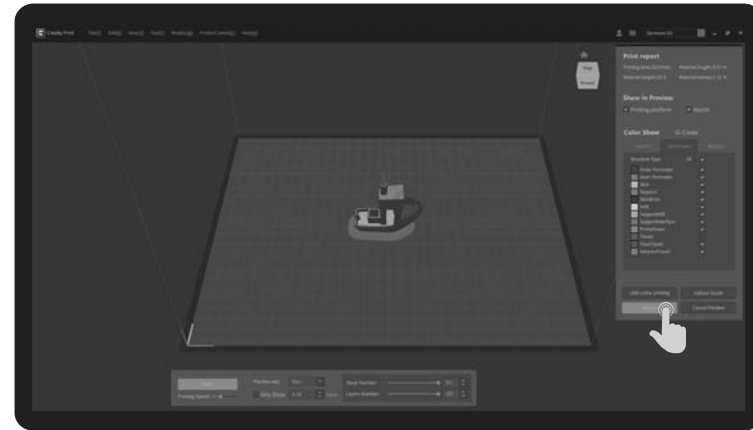


Tips: The current interface is for reference only. Due to the continuous upgrading of functions, it shall be subject to the latest firmware UI published on the official website.

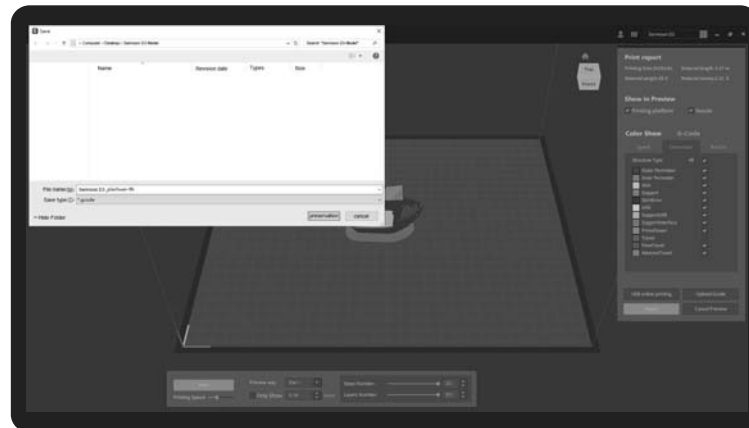
### 3.3.1 USB flash drive printing



6. Open the model and click on “Start Slicing”



7. Click on ”Export” when the slicing is finished and then save the finished file

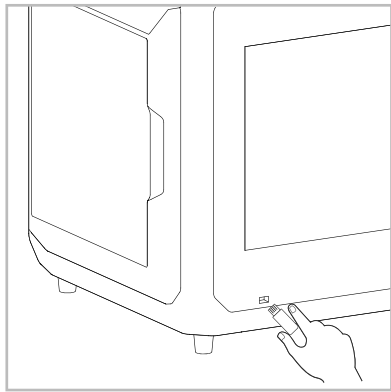


8. Generate a G-code file → Save to USB flash disk



Tips: The current interface is for reference only. Due to the continuous upgrading of functions, it shall be subject to the latest software UI published on the official website.

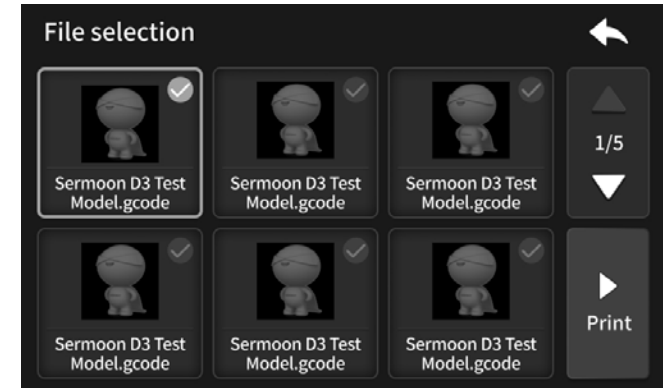
### 3.3.1 USB flash drive printing



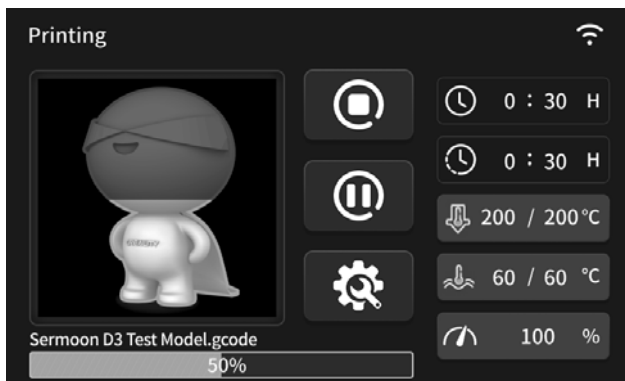
8. Insert the USB flash disk into the device.



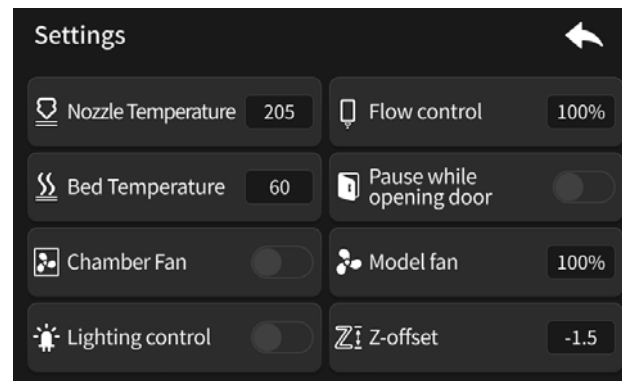
9. Click on Print File.



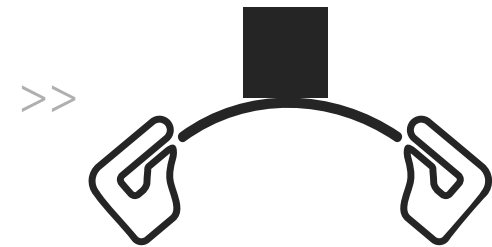
10. Select the file and click on Print.



11. On the print page, you can view a preview of the model and its progress.



12. You can also adjust the parameters by clicking on the Settings during printing.



13. When the printing is finished, slightly bend the platform plate to separate the model from the platform.



Caution:

1. Do not plug or unplug the USB flash disk during the printing process.
2. The USB flash disk file system uses the FAT32 format with an allocated unit size of 32KB.



Tips: The current interface is for reference only. Due to the continuous upgrading of functions, it shall be subject to the latest firmware UI published on the official website.

### 3.3.2 LAN Printing

1. Click on the Print Settings → Network Connection, and perform networking as prompted on the user interface.
2. Open the Creality Print, click on LAN Machine Control in the menu and select Connect Machine.
3. With the help of the LAN, printers can be automatically scanned, and the devices can be added for multi-machine control and printing operations at the device control interface.

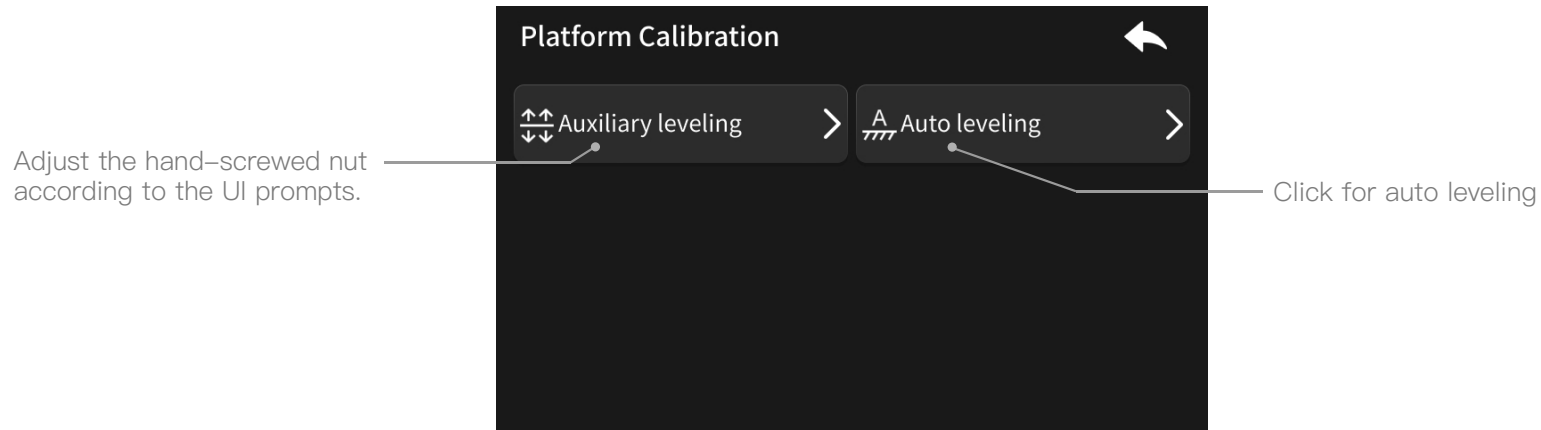
**For slicing software downloads and operating instructions, please refer to the following links:**

Domestic version: <https://www.crealitycloud.cn/software-firmware/software?type=7>

International version: <https://www.crealitycloud.com/software-firmware/software?type=7>

## 4. Functional Specification

### 4.1 Platform Calibration

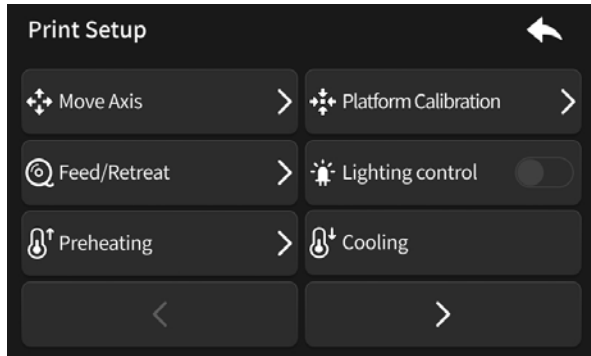


Auxiliary leveling: detect the printing platform using the CR-Touch, and then adjust the printing platform using a hand-tight nut.  
Auto leveling: when leveling, the machine uses CR-Touch to detect the flatness of the printing platform and performs the bed mesh algorithm compensation automatically.  
It is recommended that auxiliary leveling is carried out before auto leveling.

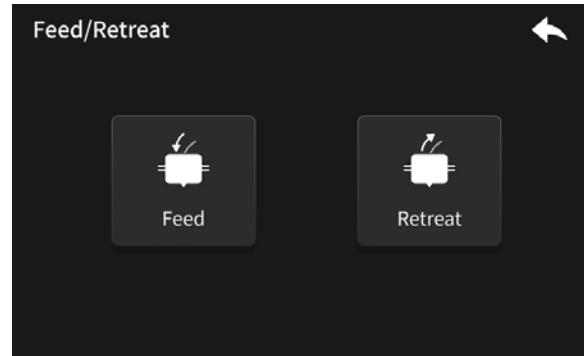


Tips: The current interface is for reference only. Due to the continuous upgrading of functions, it shall be subject to the latest firmware UI published on the official website.

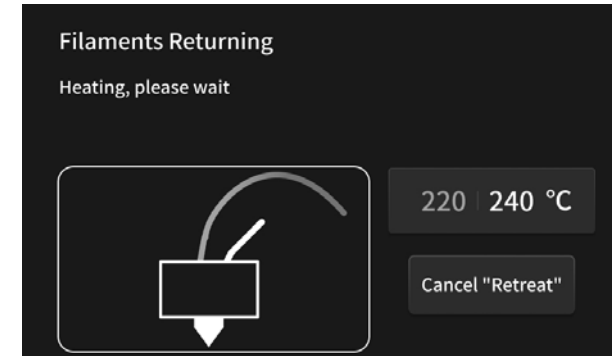
## 4.2 Filament Retreat



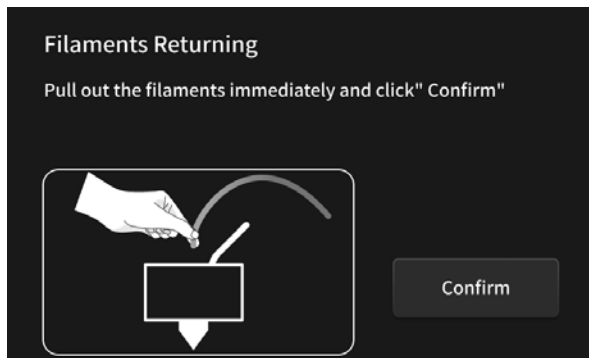
1. Click on Settings → Feed/Retreat.



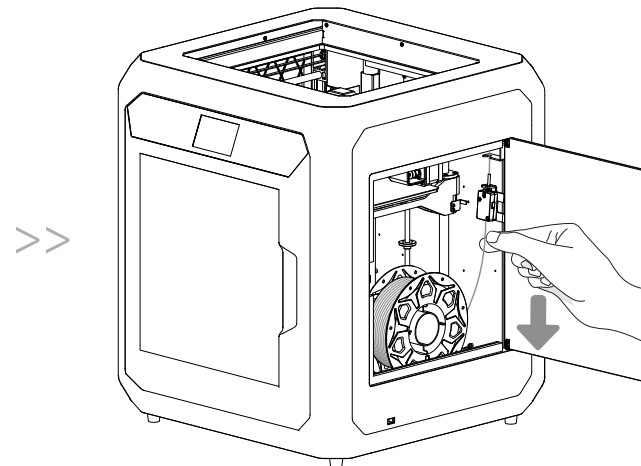
2. Click on Retreat.



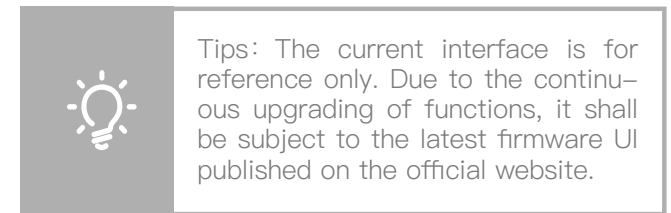
3. Upon setting, wait for heating to reach the target temperature.



4. After the filaments have exited from the extruder, click on OK to confirm.



5. Pull the filaments out of the Filament Detection unit.

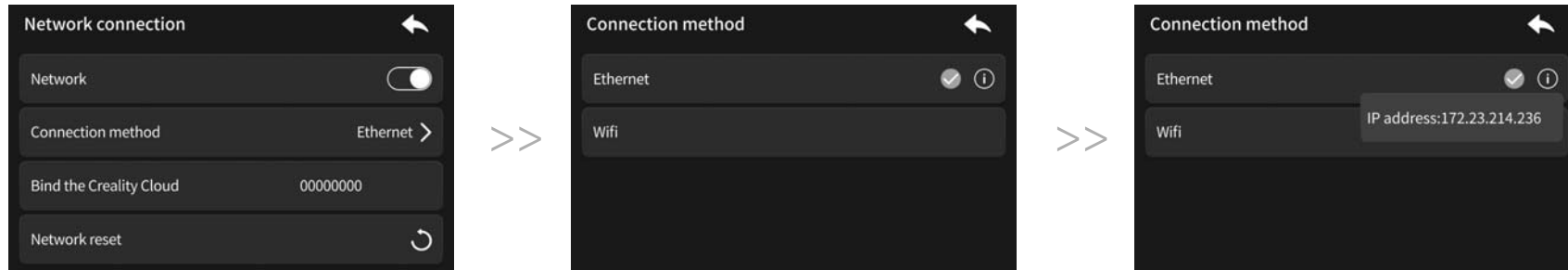




## 4.3 Network Settings

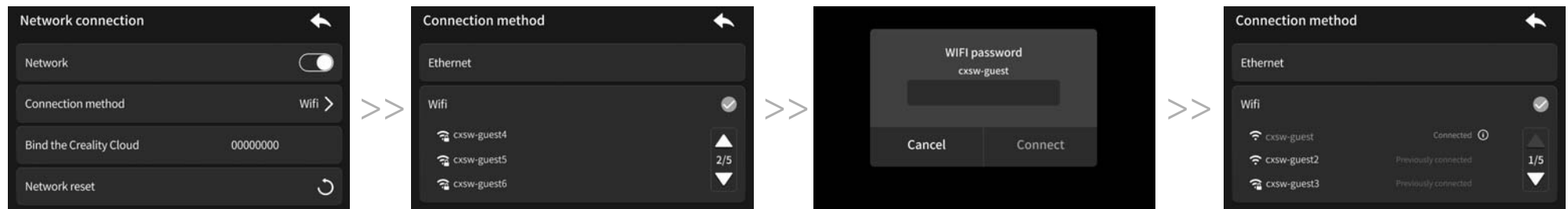
### 4.3.1 Ethernet Connection

After the network cable is inserted to the machine, click on Print Settings → Network Connection → Connection Method → Ethernet on the homepage of the user interface to finish the connection to wired network.



### 4.3.2 WiFi Connection

Click Print Settings → Network Connection → Connection Method → WIFI on the homepage of the screen, select the WIFI and enter the password on the homepage of the user interface to finish the connection to WIFI.



Note: If networking is failed, please click on Network Reset.

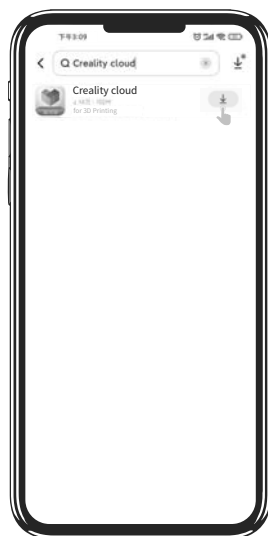


Tips: The current interface is for reference only. Due to the continuous upgrading of functions, it shall be subject to the latest firmware UI published on the official website.

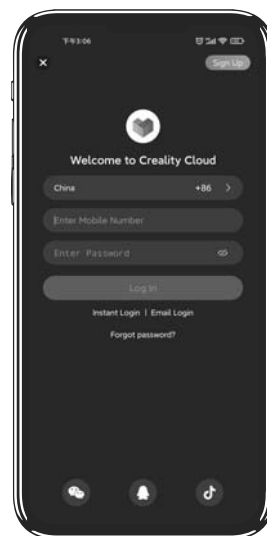
## 4.4 Bind the Creality Cloud



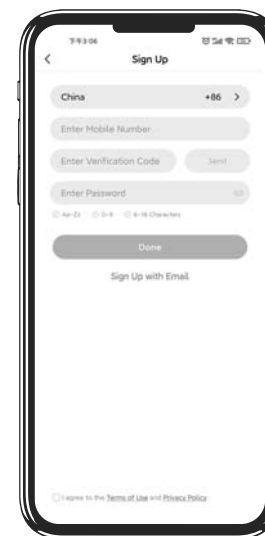
1. Scan the QR code and download the app



2. Download



3. Sign up for an account



4. Log in

## 4.4 Bind the Creality Cloud



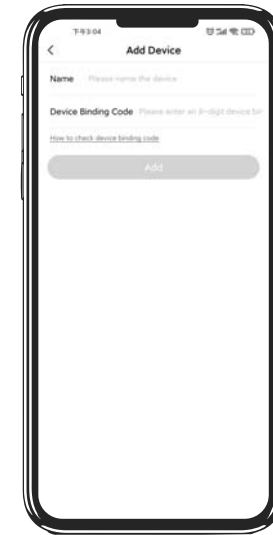
1. Add a new device



2. Choose Sermoon D3



3. Make sure the device is networked



Enter the binding code

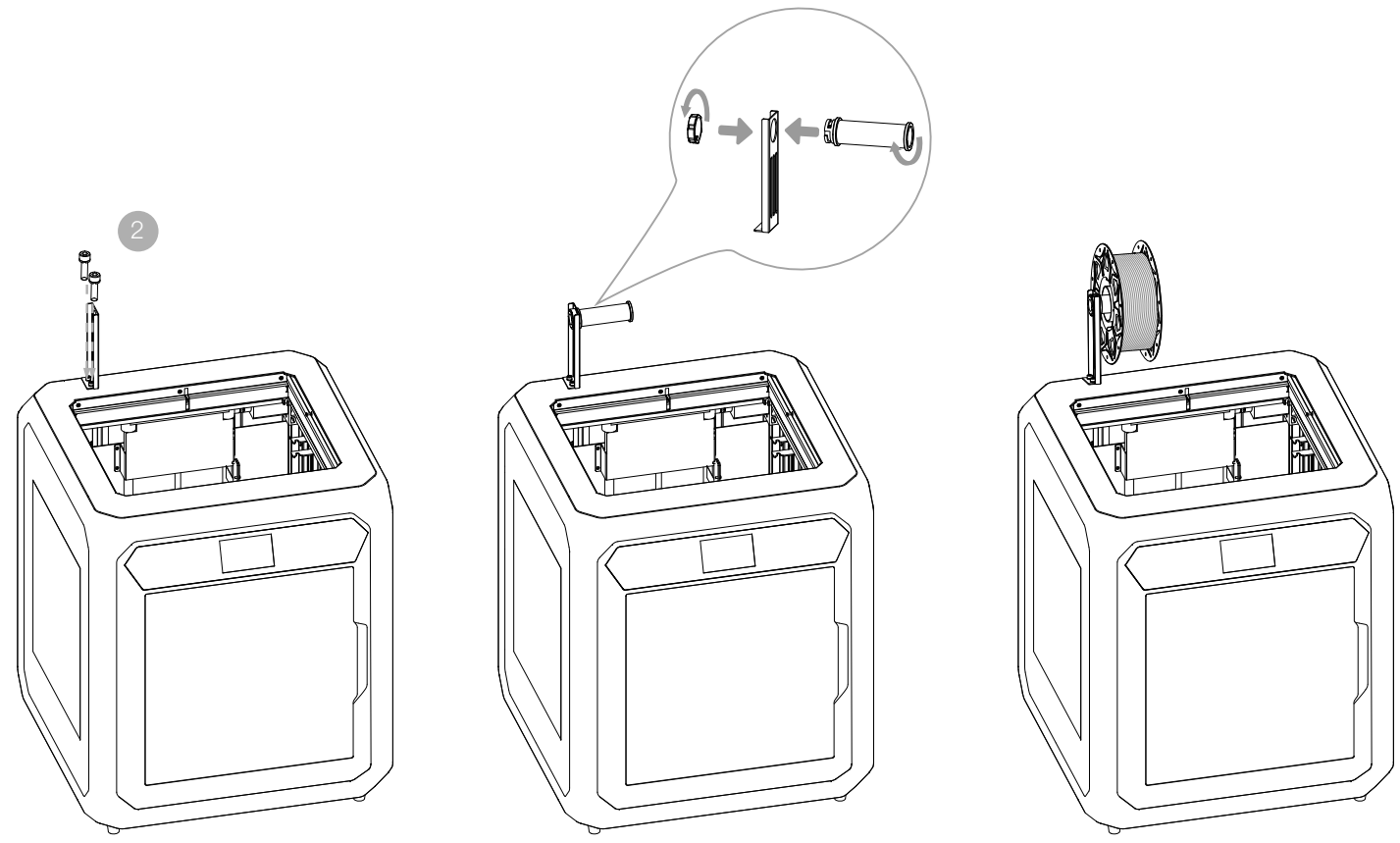


How to view the binding code



Tips: The current interface is for reference only. Due to the continuous upgrading of functions, it shall be subject to the latest software UI published on the official website.

## 4.5 Description of External Material Rack



Installation mode of external material rack

## 5. Tips and Routine Maintenance

### 5.1 Maintenance Items

	Maintenance instructions	
Machine cleanup	Clean the debris inside the machine to ensure that its operation is not affected.	Before each print
Hot end	Solution to extruder blockage: After preheating and removing the filaments, raise the temperature of the extruder and poke into the extruder from top to bottom using an extruder cleaner until the blocked filaments are poked out.	After extruder blockage
	Replace the nozzle.	Cumulative print time per 500 hours
	Check if the wire output is normal, if not, please check if the extruder is blocked.	After each change of filaments
	Check the nozzle for filament residue, if so, heat the nozzle and remove it with a tool.	Before each print
Printing platform	Check the surface of the platform for residual filaments and glue, if so, clean the surface of the platform.	Before each print
Motion mechanism	XYZ optic axis lubrication.	Cumulative print time per 500 hours
Air filtration	Replace the air filter cartridge.	Annually
Leveling	Auxiliary leveling.	Cumulative print time per 1000 hours
		Every 2 months
	Auto Leveling.	Cumulative print time per 500 hours
		After extruder replacement
Filament replacement	Replacement of filaments of the same kind: follow the normal Retreat – Feed process.	/
	Replacement of different filaments: Preheat the nozzle to reach the target temperature of the current filament; then retreat it, replace with the target filament, and preheat the nozzle to the higher filament extrude temperature of the two filaments; feed for 30s until the filament has been completely extruded, and finally set the nozzle temperature to the temperature of current filament nozzle.	

## 5.2 Error code descriptions

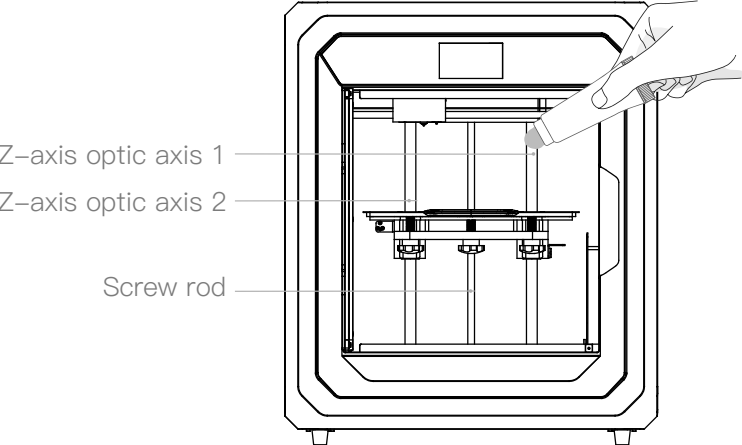
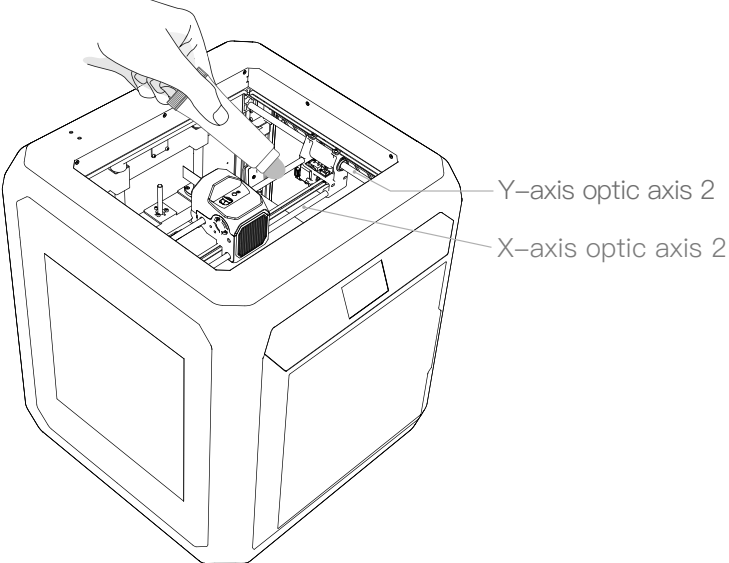
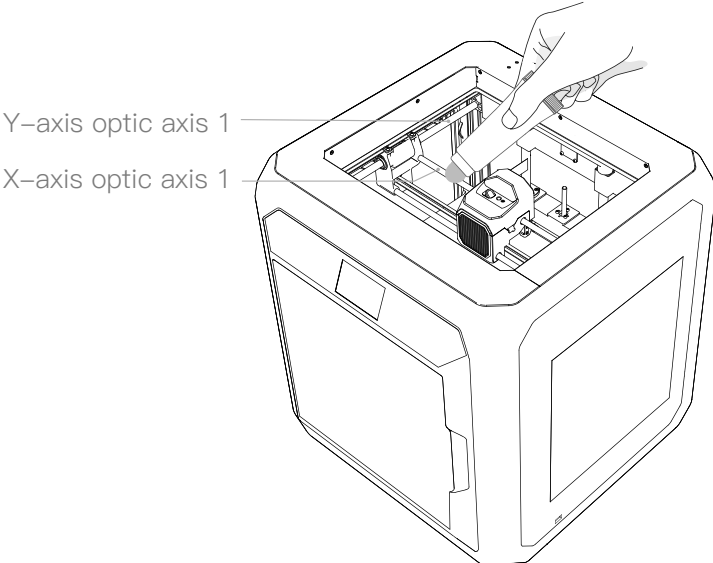
Error code instructions	Parameters
E01	Autotune Failed! timeout
E02	Go home failed
E03	Read SD card failed
E04	EEPROM index Error
E05	EEPROM CRC mismatch
E06	Hotend Thermal Runaway!
E07	Hotend Heating Failed!
E08	Hotend Thermistor Error!
E09	Hotbed Thermal Runaway!
E10	Hotbed Heating Failed!
E11	Hotbed Thermistor Error!
E12	Leveling Error
E13	CR-Touch Error
E201	Timeout
E202	Homing Failed
E203	Probing Failed
E204	Click Reboot
E205	Thermal Runaway
E206	Heating Failed
E207	Thermistor Error


In the event that any of the above problems arise and cannot be resolved:

- ① Please visit <https://www.crealitycloud.com/product>, click “Products” and select the right model, and then click “Related” to view the tutorials on after-sales service;
- ② Or contact our after-sales service center at +86 755 3396 5666, or send e-mail to [cs@creality.com](mailto:cs@creality.com).

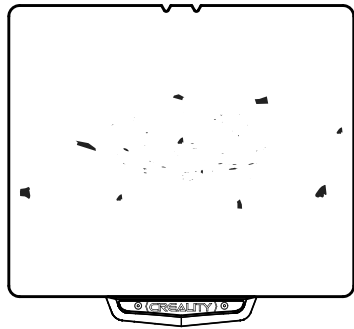
# 5.3 Maintenance instructions

## 5.3.1 Lubrication and Maintenance

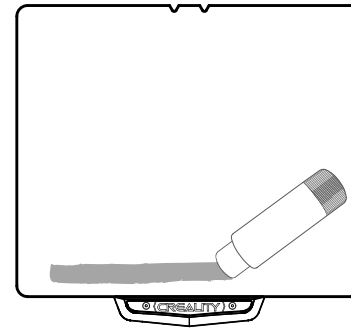


 Tips: please grease and lubricate the designated areas regularly (as shown in the picture).

### 5.3.2 Use and Maintenance of the Printing Plate

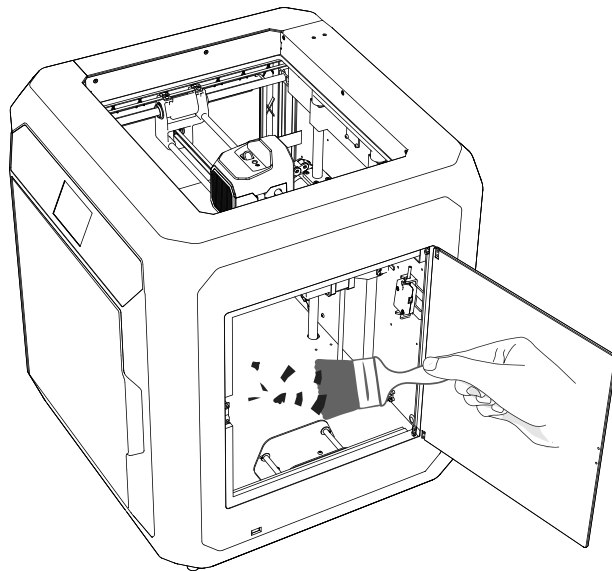


1. The residue of the platform filaments can be scraped off with a blade. Be cautious of safety when using.

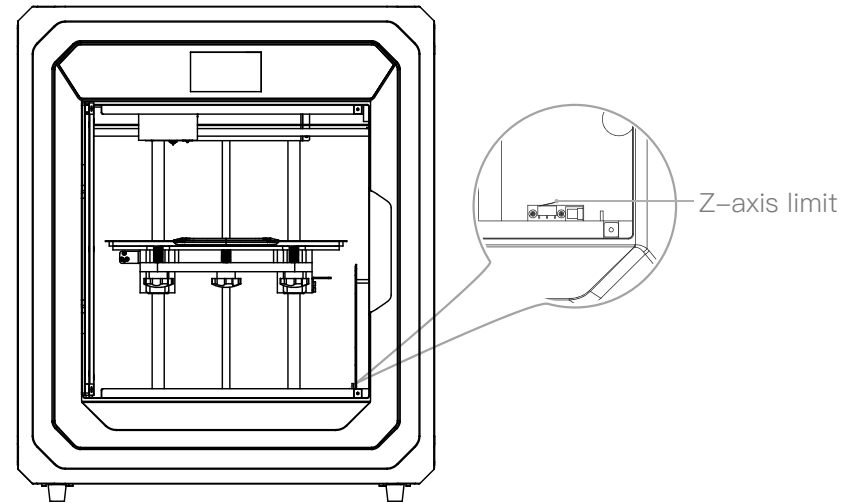


2. When the first layer of the model is not glued, it is recommended to apply glue stick evenly on the surface of the platform.

### 5.3.3 Cleaning of debris inside the chassis



1. Clear foreign bodies from the equipment.

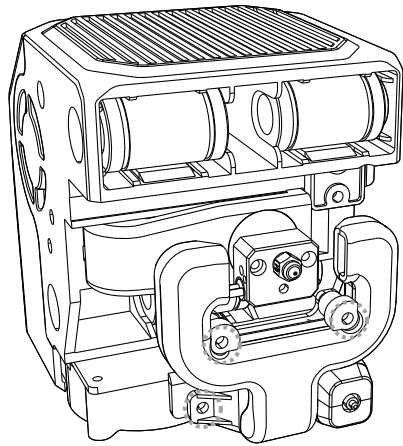


2. Check if any foreign objects remain at the Z-axis limit to prevent jamming.

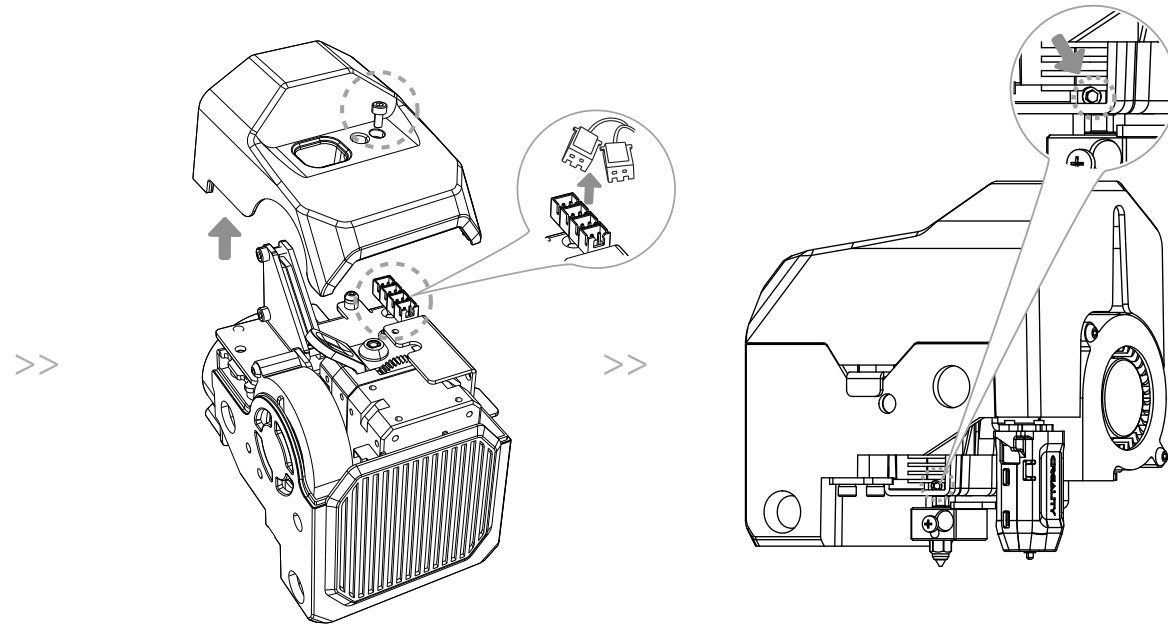
 Notice: Since the printing plate is quick-wear, it is recommended to replace the printing plate regularly to ensure that the first layer of the model is adhered.



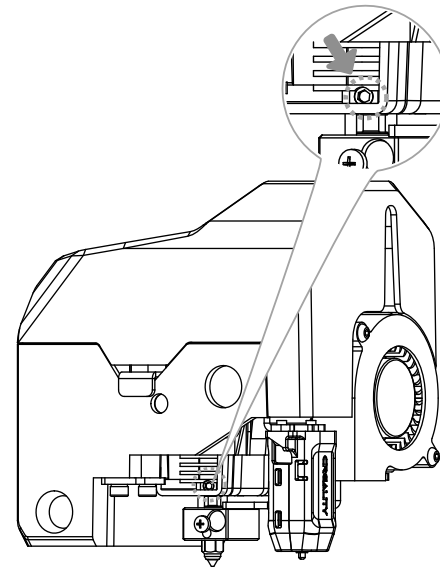
### 5.3.4 Rapid change of heat block



1. After loosening the three top screws, remove the thermal protective sleeve.

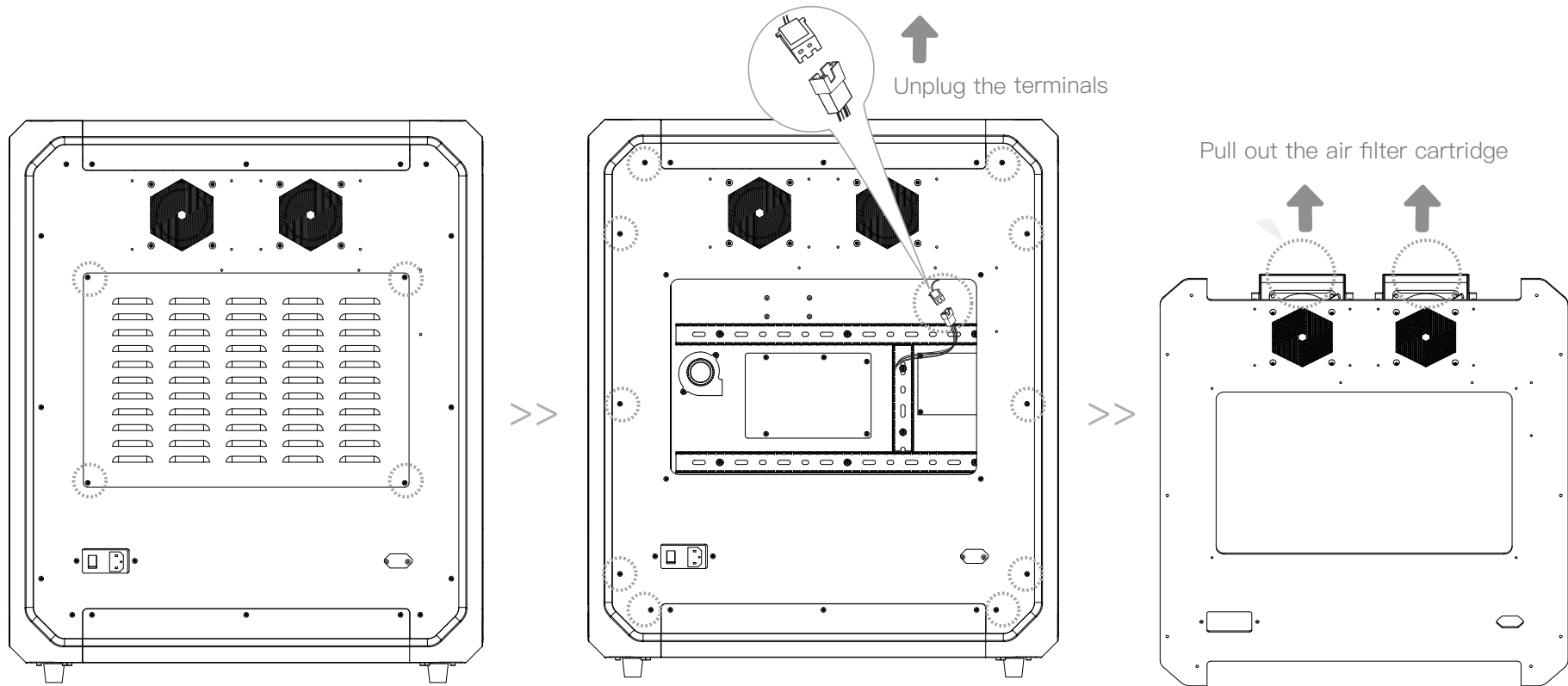


2. Remove the top cover first and then unplug the thermal cable.



3. Loosen the screws and remove the heat block.

### 5.3.5 Replacement of carbon filter



1. Remove the screws that secure the upper cover;

2. Unplug the filter fan terminals and then loosen the fixing screws on the rear cover.

3. Pull out the air filter cartridge.

## FCC WARNING

This device complies with part 15 of the FCC Rules. Operation is subject to the following two conditions:

(1) this device may not cause harmful interference, and (2) this device must accept any interference received, including interference that may cause undesired operation.

Any changes or modifications not expressly approved by the party responsible for compliance could void the user's authority to operate the equipment.

NOTE: This equipment has been tested and found to comply with the limits for a Class B digital device, pursuant to Part 15 of the FCC Rules. These limits are designed to provide reasonable protection against harmful interference in a residential installation. This equipment generates, uses and can radiate radio frequency energy and, if not installed and used in accordance with the instructions, may cause harmful interference to radio communications.

However, there is no guarantee that interference will not occur in a particular installation.

If this equipment does cause harmful interference to radio or television reception, which can be determined by turning the equipment off and on, the user is encouraged to try to correct the interference by one or more of the following measures:

- Reorient or relocate the receiving antenna.
- Increase the separation between the equipment and receiver.
- Connect the equipment into an outlet on a circuit different from that to which the receiver is connected.
- Consult the dealer or an experienced radio/TV technician for help.

To maintain compliance with FCC's RF Exposure guidelines, This equipment should be installed and operated with minimum distance between 20cm the radiator your body: Use only the supplied antenna.

Since each model is different, the actual product may be different from the picture. Please refer to the actual product.  
The final interpretation right belongs to Shenzhen Creality 3D Technology Co., Ltd.



**SHENZHEN CREALITY 3D TECHNOLOGY CO.,LTD.**

18F, JinXiuHongDu Building, Meilong Blvd., Longhua Dist., Shenzhen,  
China 518131

Official Website: [www.creality.com](http://www.creality.com)

Tel: +86 755-8523 4565

E-mail: [info@creality.com](mailto:info@creality.com) [cs@creality.com](mailto:cs@creality.com)

