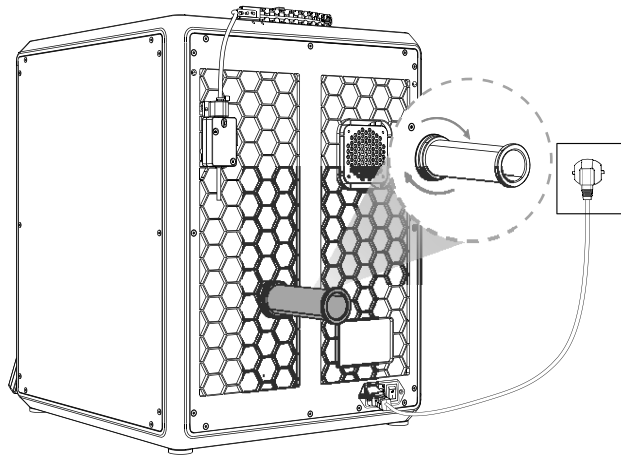


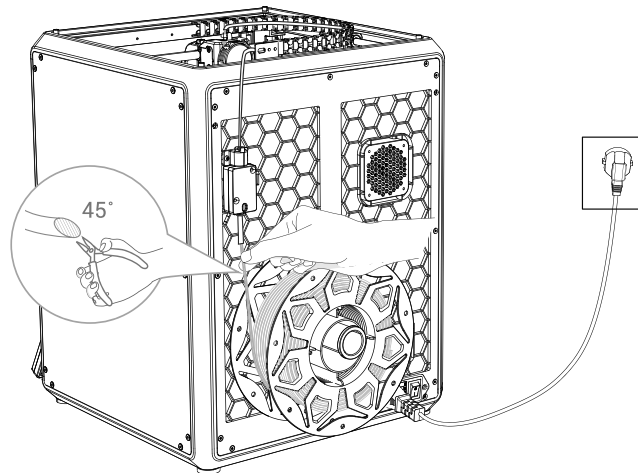
2. Unboxing

2.2 Install the Product

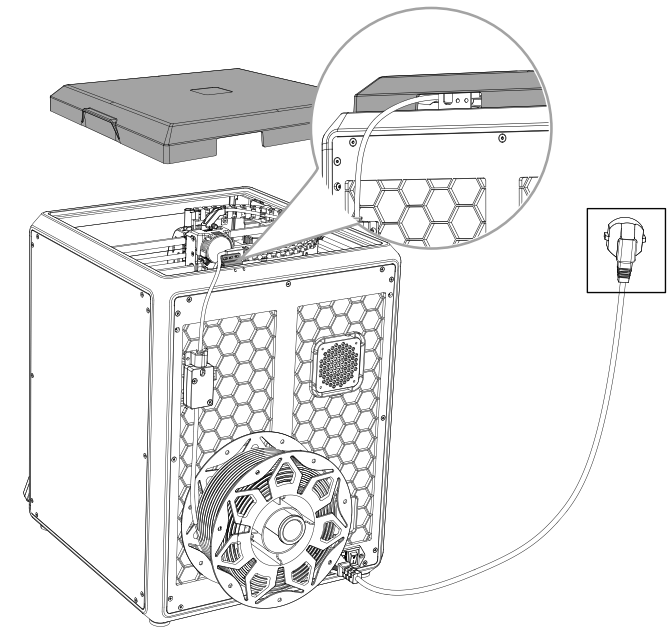
- ① Please perform the operations according to the diagram.
- ② Insert the filament into the deepest part of the material barrel until it cannot be moved.



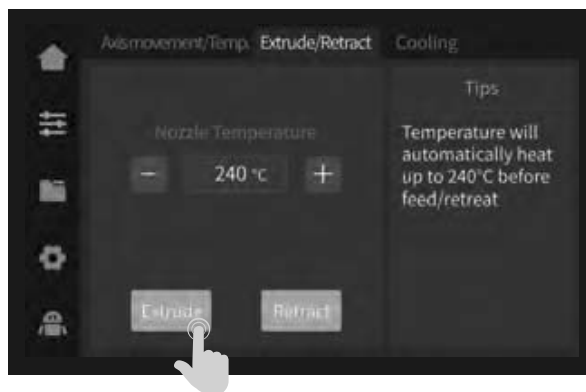
Install the material barrel



Load filaments



Install the top cover

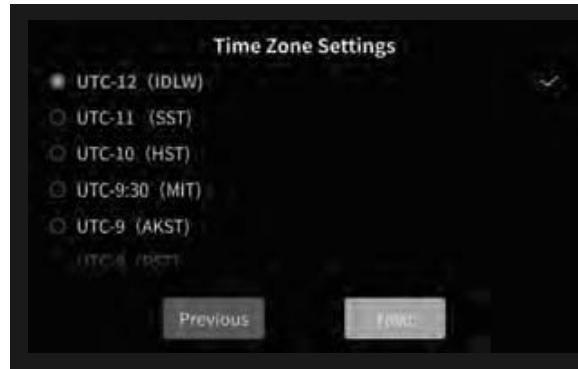


2. Unboxing

2.3 Power-on guide



① Network Settings



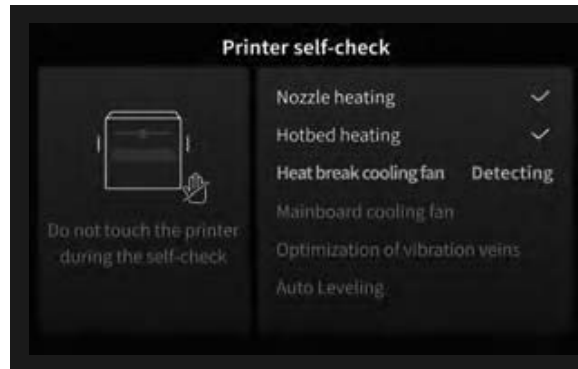
② Time Zone Settings



③ Creality Cloud binding



④ Printer self-check



⑤ Self-testing



⑥ Self-test completed



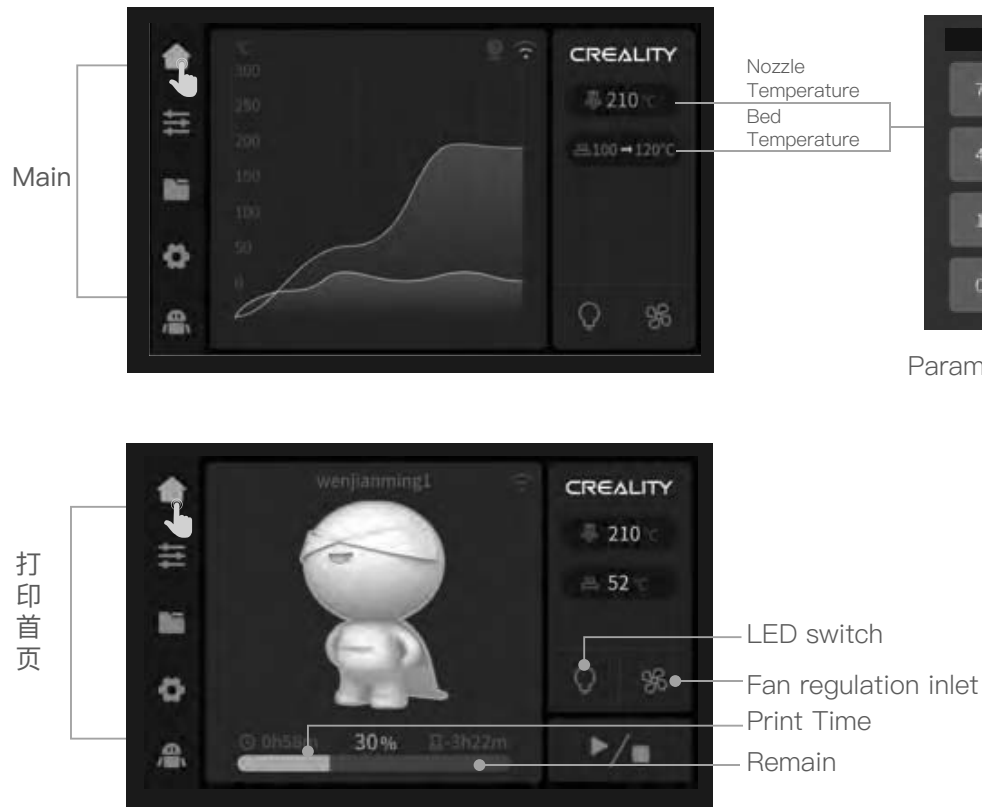
Reminder: When the printing time of the device exceeds 300 hours, or if the printing platform or nozzles have been replaced, the distance between the platform and nozzles may change that caused the first layer of the model may not stick firmly, resulting in printing failure. Please calibrate the platform regularly.



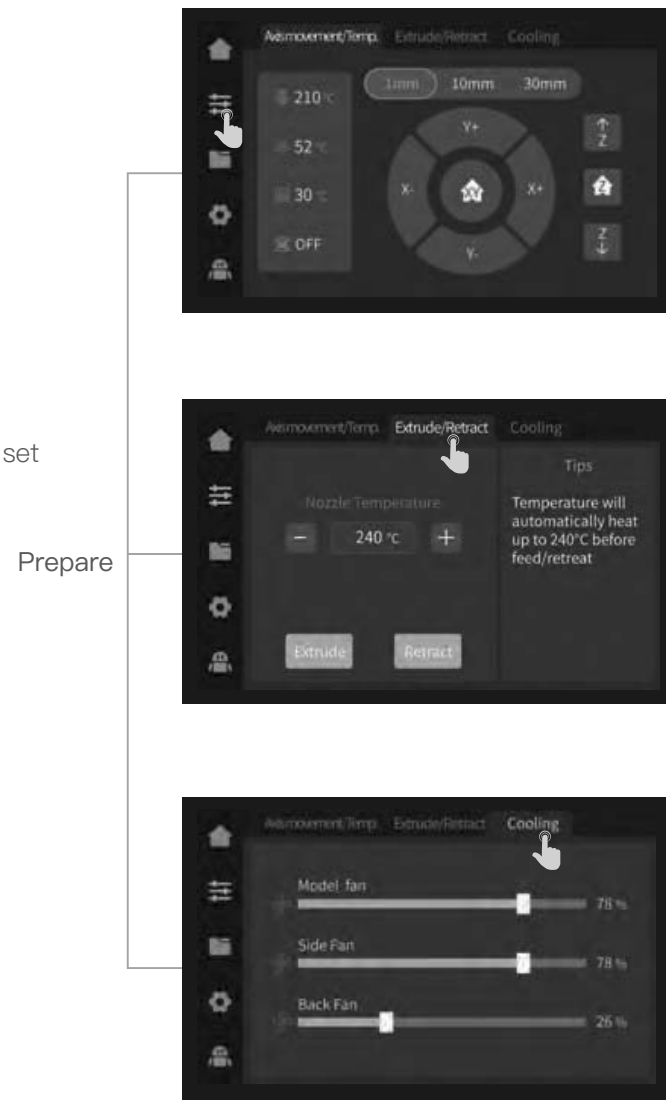
Note: The current interface is for reference only. Due to the continuous upgrading of functions, it shall be subject to the latest firmware UI published on the official website.

3. About the User Interface

3.1 Tune、Prepare



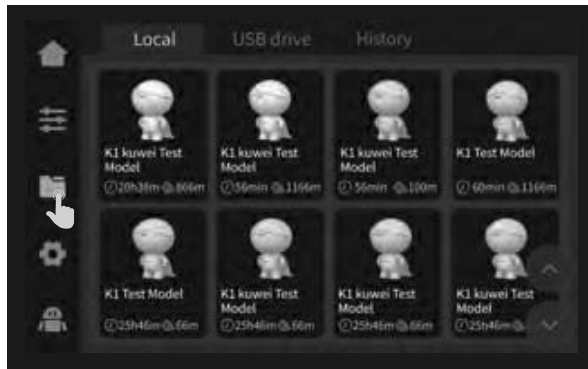
Parameters can be manually set



Note: The current interface is for reference only. Due to the continuous upgrading of functions, it shall be subject to the latest firmware UI published on the official website.

3. About the User Interface

3.2 Files



① Local model



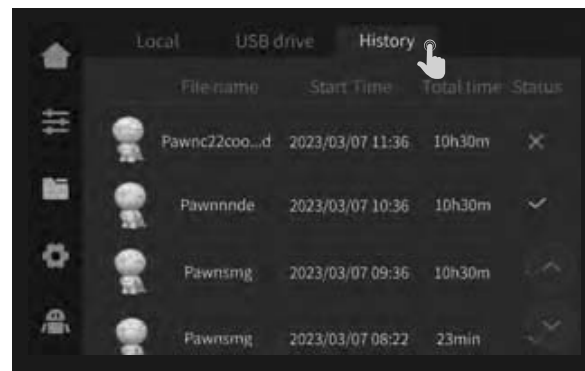
Tip: Select print calibration and the machine can be leveled automatically.



② Press and hold on the model to multi-select and copy it to a USB flash drive



③ USB flash drive model



④ History

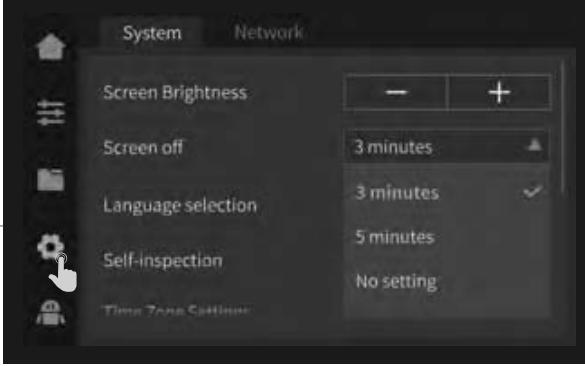


Note: The current interface is for reference only. Due to the continuous upgrading of functions, it shall be subject to the latest firmware UI published on the official website.

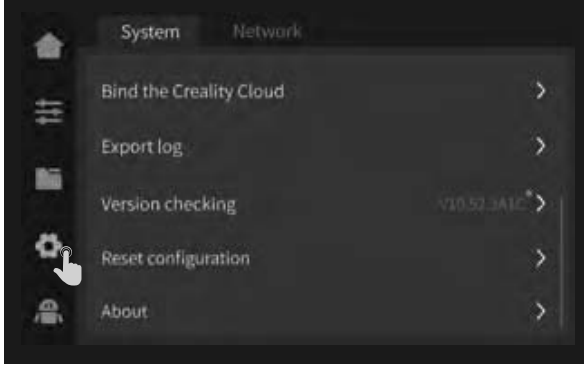
3. About the User Interface

3.3 Tune、Support

Tune

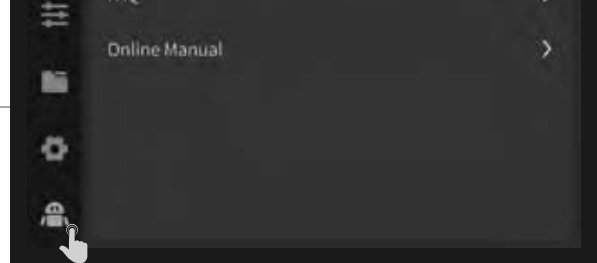


System

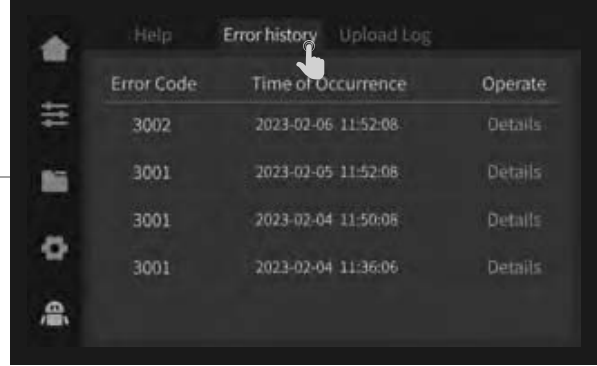


System

Support

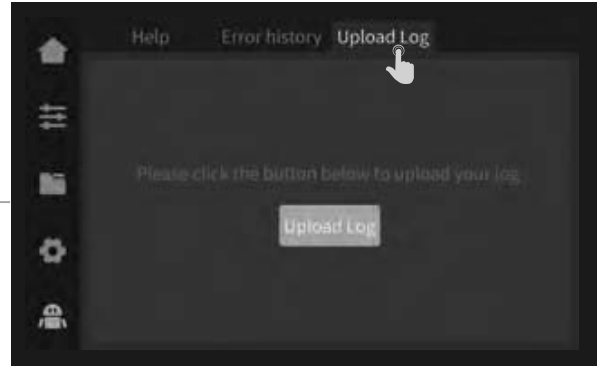


Help



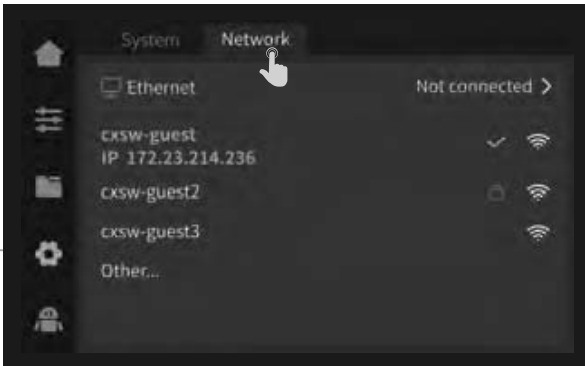
Error history

Error Code	Time of Occurrence	Operate
3002	2023-02-06 11:52:08	Details
3001	2023-02-05 11:52:08	Details
3001	2023-02-04 11:50:08	Details
3001	2023-02-04 11:36:06	Details



Upload Log

NetworkNetwork



Network

Ethernet Not connected >

cxsw-guest IP: 172.23.214.236

cxsw-guest2

cxsw-guest3

Other...

Note: The current interface is for reference only. Due to the continuous upgrading of functions, it shall be subject to the latest firmware UI published on the official website.

4. First Printing

4.1 LAN Printing

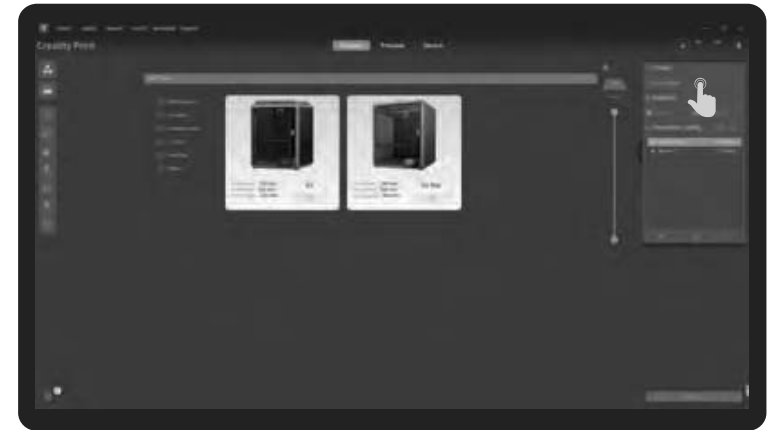
Creality Print



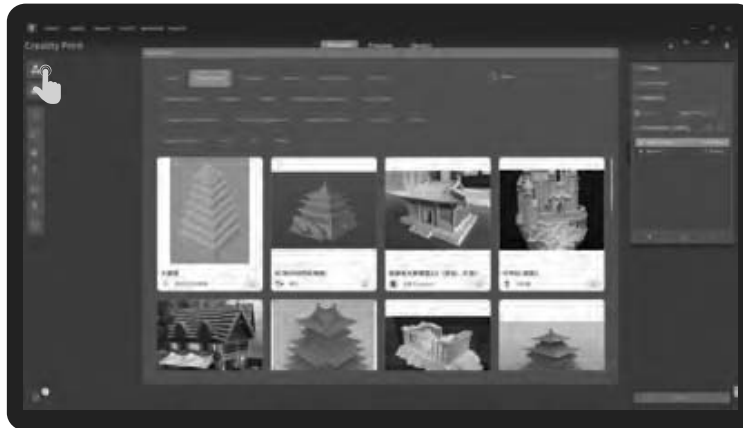
① Download at (www.creality.com) or find the software on a USB flash drive and install it.



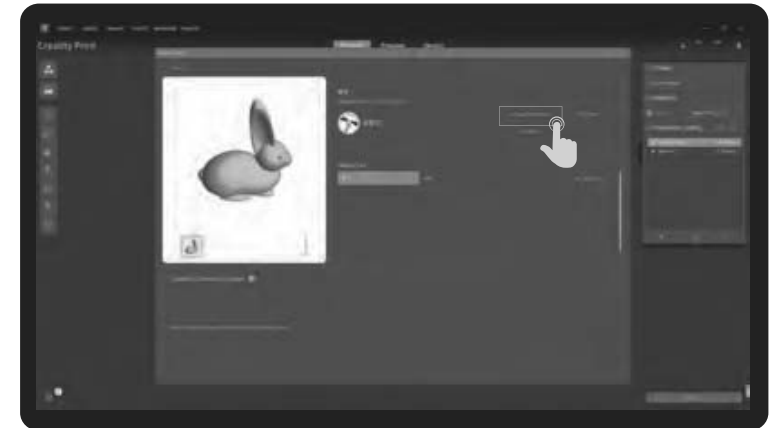
② Choose a language and region;



③ Choose a Printer;



④ Click on "Model Library" and select the model file;



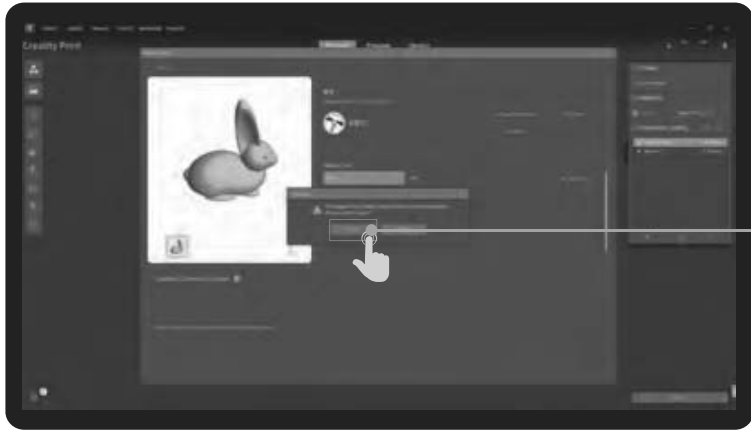
⑤ Select to download the model;



Note: The current interface is for reference only. Due to the continuous upgrading of functions, it shall be subject to the latest firmware UI published on the official website.

4. First Printing

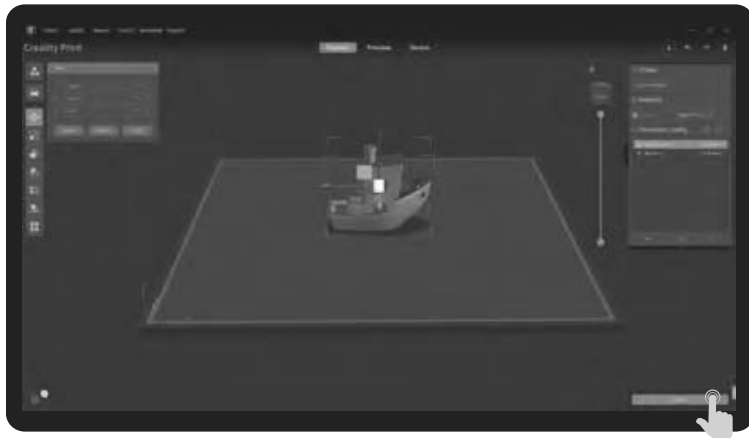
4.1 LAN Printing



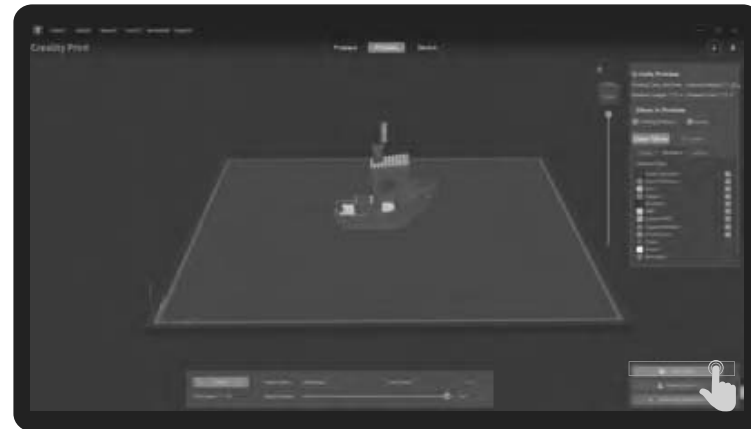
⑥ Log into a Creality Cloud account;



Scan the QR code and download the app



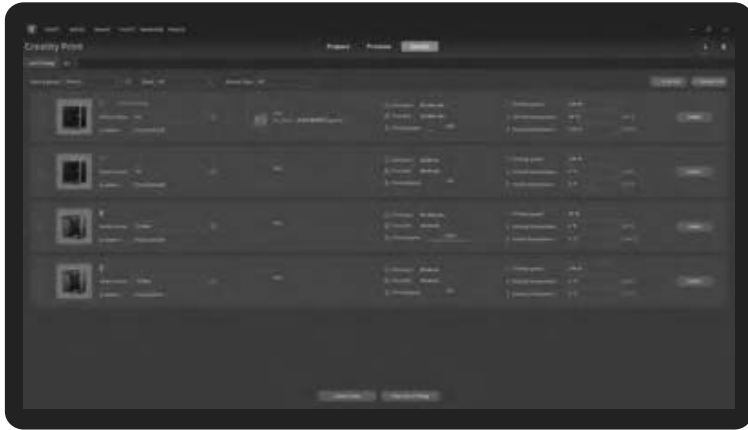
⑦ Start slicing;



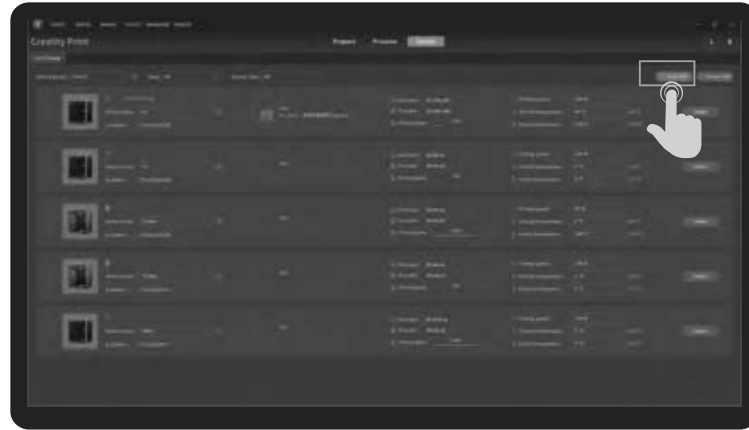
⑧ Selection of LAN printing;

4. First Printing

4.1 LAN Printing



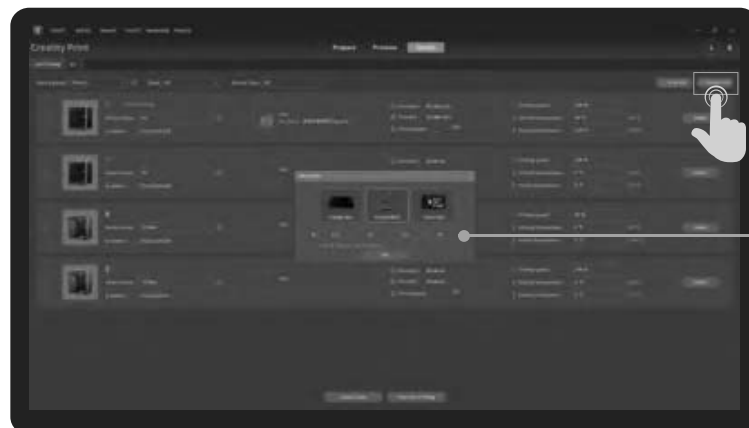
⑨ Select a device;



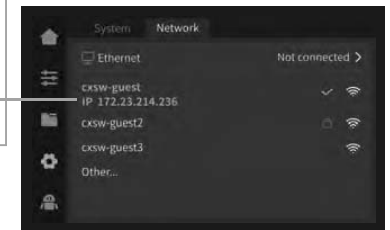
⑩ Add a device: a. Add by scanning;



⑪ Printing information preview.

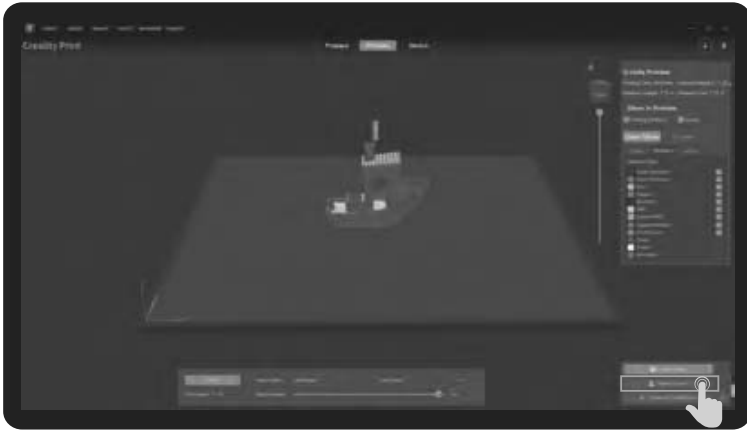


⑩ Add a device: b. Add a device by manually entering the IP number;



4. First Printing

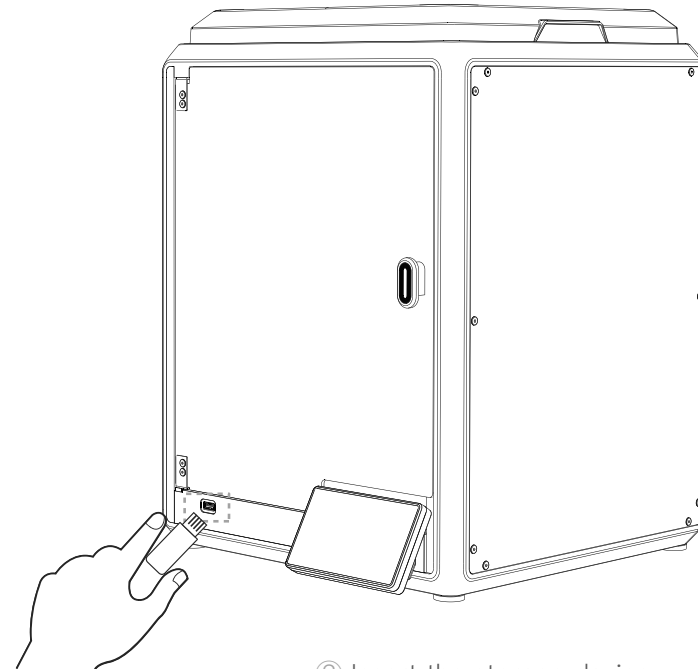
4.2 USB flash drive printing



① Click on "Export to local" after slicing to save the finished file;



② Generate a G-code file → Save to USB flash disk



③ Insert the storage device



Note: The current interface is for reference only. Due to the continuous upgrading of functions, it shall be subject to the latest firmware UI published on the official website.

4. First Printing

4.2 USB flash drive printing



④ USB flash drive model



⑤ Select to print



⑥ Printing



Note: The current interface is for reference only. Due to the continuous upgrading of functions, it shall be subject to the latest firmware UI published on the official website.

5. Functional Specification

5.1 Filament Retreat



Note: The current interface is for reference only. Due to the continuous upgrading of functions, it shall be subject to the latest firmware UI published on the official website.

5. Functional Specification

5.2 Printing platform descriptions

The printing platform is divided into two sides, A and B, both of which are ready to print.



A



B



Tips: A Fine surface is suitable for printing all filaments.

B Rough surface is suitable for printing both PLA and TPU filaments.

6. Tips and Routine Maintenance

In the event that any of the above problems arise and cannot be resolved:

- ① Please visit <https://www.crealitycloud.com/product>, click “Products” and select the right model, and then click “Related” to view the tutorials on after-sales service;
- ② Or contact our after-sales service center at +86 755 3396 5666, or send e-mail to cs@creality.com.

6.1 Maintenance Items

	Maintenance instructions	
Machine cleanup	Clean the debris inside the machine to ensure that its operation is not affected.	Before each print
Hot end	Solution to extruder blockage: After preheating and removing the filaments, raise the temperature of the extruder and poke into the extruder from top to bottom using an extruder cleaner until the blocked filaments are poked out.	After extruder blockage
	Replace the nozzle.	Cumulative print time per 500 hours
	Check if the wire output is normal, if not, please check if the extruder is blocked.	After each change of filaments
	Check the nozzle for filament residue, if so, heat the nozzle and remove it with a tool.	Before each print
Printing platform	Check the surface of the platform for residual filaments and glue, if so, clean the surface of the platform.	Before each print
Motion mechanism	XYZ optic axis lubrication.	Cumulative print time per 500 hours
Equipment self-test	Axis movement.	Cumulative print time per 300 hours
	Optimization of vibration veins.	
	Auto Leveling.	
Filament replacement	Replacement of filaments of the same kind: follow the normal Retreat – Feed process.	/
	Replacement of different filaments: Preheat the nozzle to reach the target temperature of the current filament; then retreat it, replace with the target filament, and preheat the nozzle to the higher filament extrude temperature of the two filaments; feed for 30s until the filament has been completely extruded, and finally set the nozzle temperature to the temperature of current filament nozzle.	

6. Tips and Routine Maintenance



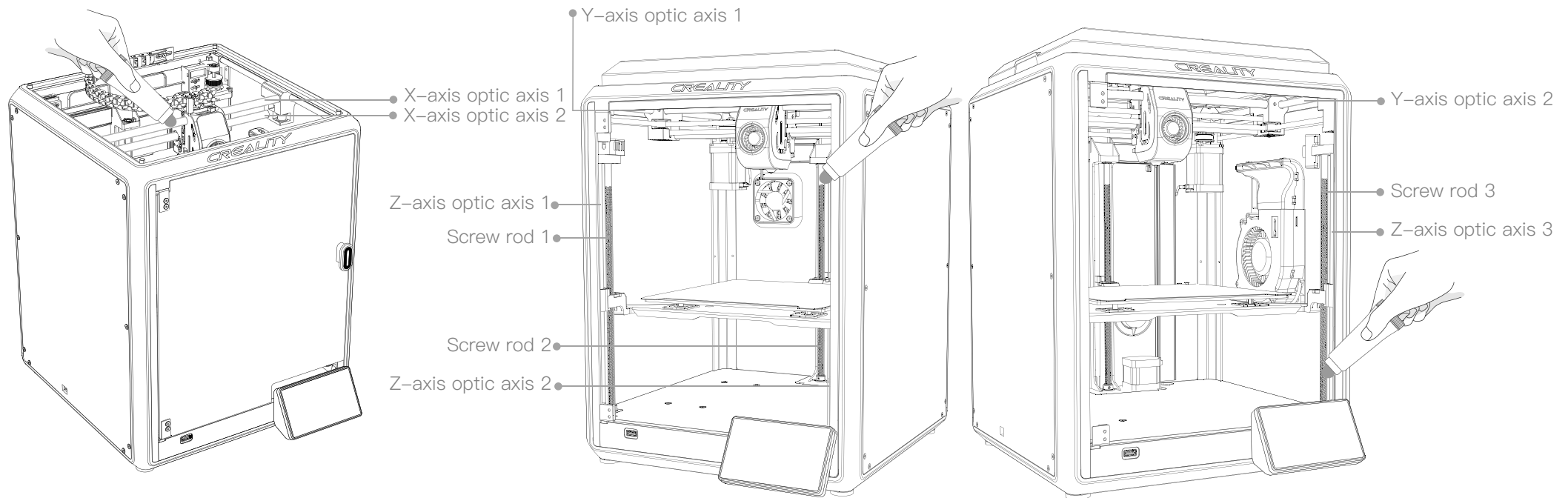
6.2 Error code descriptions

Error code descriptions	Parameters
E0001	Motor drive exception
E0002	Internal errors
E0003	Communication failure
E0004	Not heated as expected
E0005	Hotbed temperature anomaly
E0006	Extruder failure
E0007	Z-axis limit detection failure
E0201	Temperature anomaly in the temperature cavity
E0202	Exception for printing file coordinates
E0203	Vibration vein optimization sensor failure
E0204	Fan anomaly
E0205	Network anomaly
E0500	Unknown exception

6. Tips and Routine Maintenance

6.3 Precautions for printing

6.3.1 Lubrication and maintenance

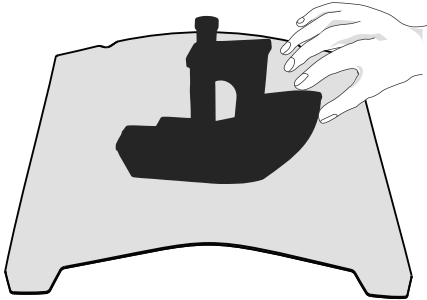


Tips: please grease and lubricate the designated areas regularly (as shown in the picture).

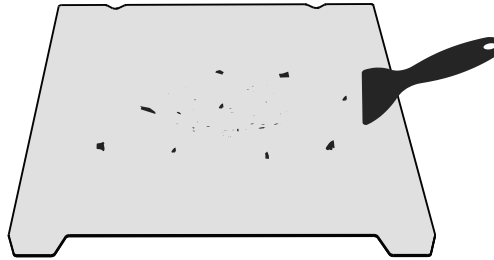
6. Tips and Routine Maintenance

6.3 Precautions for printing

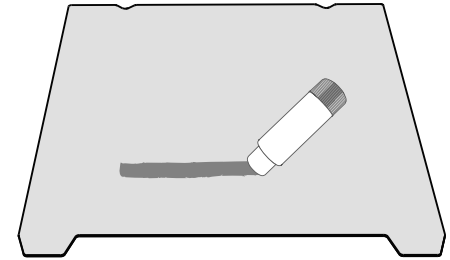
6.3.2 Use and maintenance of flexible platform



① Together with the flexible platform after the printed model has been cooled down Remove from the device and partially bend the platform slightly to separate the model from the platform.(No excessive bending of the platform to prevent it from being deformed and unusable)

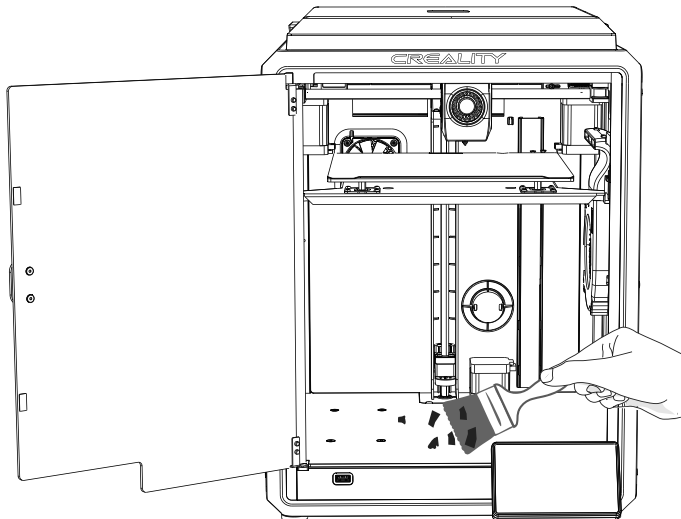


② The residue of the platform filaments can be scraped off with a blade. Be cautious of safety when using.



③ When the first layer of the model is not glued, it is recommended to apply glue stick evenly on the surface of the platform.

6.3.2 Cleaning of debris inside the chassis



Reminder: Since the printing platform is quick-wear, it is recommended to replace the printing platform regularly to ensure that the first layer of the model is adhered.

FCC Caution:

Any Changes or modifications not expressly approved by the party responsible for compliance could void the user's authority to operate the equipment.

This device complies with part 15 of the FCC Rules. Operation is subject to the following two conditions: (1) This device may not cause harmful interference, and (2) this device must accept any interference received, including interference that may cause undesired operation.

IMPORTANT NOTE:

Note: This equipment has been tested and found to comply with the limits for a Class B digital device, pursuant to part 15 of the FCC Rules. These limits are designed to provide reasonable protection against harmful interference in a residential installation. This equipment generates, uses and can radiate radio frequency energy and, if not installed and used in accordance with the instructions, may cause harmful interference to radio communications. However, there is no guarantee that interference will not occur in a particular installation. If this equipment does cause harmful interference to radio or television reception, which can be determined by turning the equipment off and on, the user is encouraged to try to correct the interference by one or more of the following measures:

- Reorient or relocate the receiving antenna.
- Increase the separation between the equipment and receiver.
- Connect the equipment into an outlet on a circuit different from that to which the receiver is connected.
- Consult the dealer or an experienced radio/TV technician for help.

FCC Radiation Exposure Statement:

This equipment complies with FCC radiation exposure limits set forth for an uncontrolled environment.

This equipment should be installed and operated with minimum distance 20cm between the radiator& your body.

Since each model is different, the actual product may be different from the picture. Please refer to the actual product.
The final interpretation right belongs to Shenzhen Creality 3D Technology Co., Ltd.



SHENZHEN CREALITY 3D TECHNOLOGY CO., LTD.

Add:18th Floor, JinXiuHongDu Building, Meilong Road, Xinniu Community,
Minzhi Street, Longhua District, Shenzhen City, China.
Official Website: www.creality.com
Tel: +86 755-8523 4565
E-mail: cs@creality.com

