

CREALITY

Create reality, achieve dreams

HALOT-MAGE PRO

HALOT-MAGE PRO



3D Printer User Manual

V1.1

Dear Consumers,

Thank you for choosing our products. For the best experience, please read the instructions before operating the Printer. Our teams are always ready to render you the best services. Please contact us via the phone number or e-mail address provided at the end when you encounter any problem with the Printer.



For a better experience in using our product, you can also access how to use the printer in the following ways:

View the accompanied instructions and videos in the U disk.

Visit our official website www.creality.com to find relevant software/hardware information, contact details and operation and maintenance instructions.

Firmware/Software Downloads and Upgrades

The Printer already supports the following slicing software, and further functions are on the development roadmap.

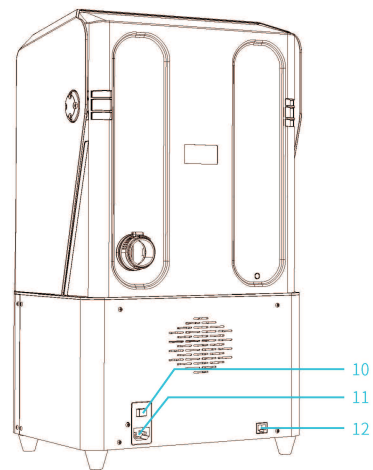
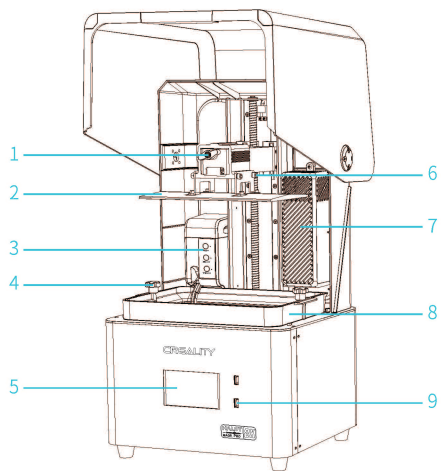
-  Download the firmware and HALOT BOX slicing software at: <https://www.creality.com>
-  Download the CHITUBOX slicing software at: <https://www.chitubox.com>

NOTES

- 1 Do not use the printer any way other than described to avoid personal injury or property damage.
- 2 Do not place the printer near any heat source or flammable or explosive objects. We suggest placing it in a well-ventilated, low-dust environment.
- 3 Do not expose the printer to violent vibration or any unstable environment, as this may cause poor print quality.
- 4 Please use recommended resin in case damage to machine.
- 5 Do not use any other power cable except the one supplied. Always use a grounded three-prong power outlet.
- 6 Please do not open the plastic cover during usage, otherwise the printing will be interrupted.
- 7 Do not wear cotton gloves when operating the printer. Such cloths may become tangled in the printers moving parts leading to burns, possible bodily injury, or printer damage.
- 8 Please wait after the print is finished. please wear gloves to take out the print tools.
- 9 Clean the printer frequently. Always turn the power off when cleaning, and wipe with a dry cloth to remove dust, adhered printing plastics or any other material off the frame, guide rails, or wheels. Use glass cleaner or isopropyl alcohol to clean the print surface.
- 10 Children under 10 years should not use the printer without supervision.
- 11 Tips Do not plug or unplug the power cord when power on.
- 12 Users should comply with the laws and regulations of the corresponding countries and regions where the equipment is located (used), abide by professional ethics, pay attention to safety obligations, and strictly prohibit the use of our products or equipment for any illegal purposes. Creality will not be responsible for any violators' legal liability under any.

Product appearance	01-01
Equipment Parameters	02-02
Packing list	03-03
Operating guidance	04-20
Troubleshooting	21-21
Circuit board wiring diagram	22-23
FCC WARNING	24-24
IC Caution	25-25

1. Product appearance



1 Thumb screw

2 Forming platform

3 Feed system

4 Hexalobular socket screw

5 Touch screen

6 Leveling screw

7 Air filter

8 Resin vat

9 USB port

10 Power switch

11 Power port

12 RJ45 interface