



3D Printer User Manual

V1.0

To Our Dear Users

Thank you for choosing Creality. For your convenience, please read through this User Manual before you start and follow the instructions provided carefully.

Creality is always ready to provide you with high-quality services. If you encounter any issues or have any questions when using our products, please use the contact information at the end of this manual to contact us. To further improve your user experience, you can find more about our devices via the following methods:

User manual: You can find instructions and videos in the USB flash disk provided with the printer.

You can also visit our official website (<https://www.creality.com>) to find information regarding software, hardware, contact information, device instructions, device warranty information, and more.

Firmware Upgrade

1. You can upgrade the firmware directly through the device screen;
2. You can upgrade the firmware via the Creality Cloud OTA;
3. Please visit the official website <https://www.creality.com>, click on Service Center → Firmware/Software Download → Download the required firmware, install and use it.

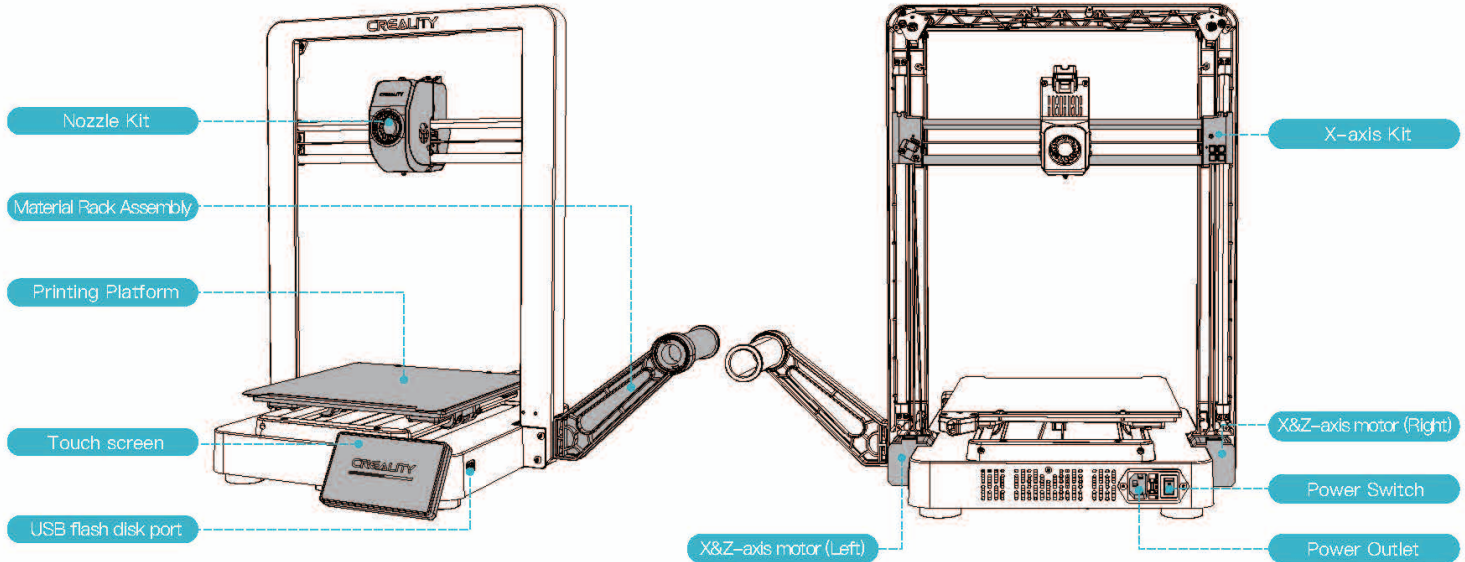
Videos showing the operation of the products and after-sales service

1. Please visit <https://www.crealitycloud.com/product>, click “Products” and select the right model, and then click “Related” to view the tutorials on after-sales service;
2. Or contact our after-sales service center at +86 755 3396 5666, or send e-mail to cs@creality.com.

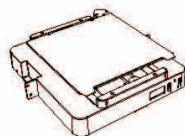
1. Do not use the printer in any way other than described herein in order to avoid personal injury or property damage;
2. Do not place the printer near any heat source or flammable or explosive objects. We suggest placing it in a well-ventilated, cool and dustless environment;
3. Do not expose the printer to a violent vibration or any other unstable environment, as this may cause poor print quality;
4. Please use recommended filaments to avoid clogging of the extrusion head and causing damage to the machine;
5. Do not use the power cable of other products during installation. Always use a grounded three-prong power outlet, which accompanies the printer;
6. Do not touch the nozzle and the heated bed during operation to avoid burns or personal injury;
7. Do not wear gloves or wraps while operating the machine to prevent entrapment of movable parts that could cause crushing and cutting injuries to bodily parts;
8. Use the provided tools to clean the filament from the extruder in time taking advantage of the residual temperature after printing. Do not touch the extruder directly when cleaning, otherwise it may cause burns;
9. Clean the printer frequently. Clean the printer body with a dry cloth regularly after powering off the printer, wipe away dust, bonded print filament and foreign objects on the guide rails;
10. Children under 10 years old should not use the printer without supervision, otherwise it may cause personal injury;
11. Users should comply with the laws and regulations of the corresponding countries and regions where the equipment is located (used), abide by professional ethics, pay attention to safety obligations, and strictly prohibit the use of our products or equipment for any illegal purposes; Creality will not be responsible for any violators' legal liability under any circumstance;
12. Tip: Do not plug in or unplug wires on a charged basis.

1. About the Printer	01-01
2. Parts List	02-02
3. Assembly Procedure	03-06
3.1 Material Rack Assembly Installation	03-03
3.2 Gantry Frame Assembly Installation	04-04
3.3 Touch screen Installation	05-05
3.4 Equipment Wiring	06-06
4. About the Power-on Guide and User Interface	07-11
4.1 Power-on guide	07-08
4.2 About the User Interface	09-11
5. First Printing	12-16
5.1 Filament Loading	12-12
5.2 LAN Printing	13-15
5.3 USB flash disk Printing	16-16
6. Functional Specification	17-19
6.1 Filament Retreat	17-18
6.2 Auto extrude	19-19
7. Equipment Maintenance	20-20
7.1 Platform plate removal and maintenance	20-20
7.2 Maintenance of screw rod and guide rail	20-20
8. Equipment Parameters	21-21
9. Circuit Wiring	22-22

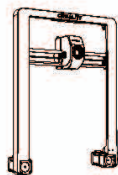
1.About the Printer



2.Parts List



1 Base component



2 Gantry Frame Assembly



3 Touch screen



4 Filament tube



5 Material Rack



6 Power cable



7 Hexagon Flat Round Head Screw M4*8 x8



8 Tool kit



11 Filament



12 Cutting plier



15 Nozzle cleaner



16 USB flash disk



Accessory kit



9 Socket spanner



10 Teflon tube



13 Black tie x5



14 Wire Clip



17 Quick Installation Guide



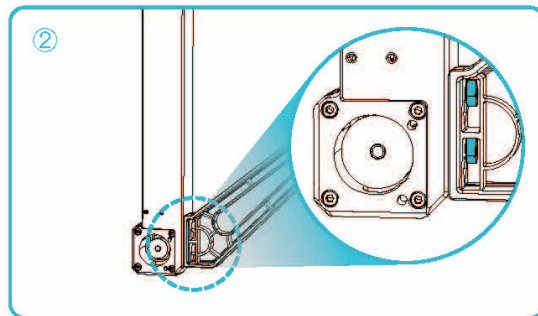
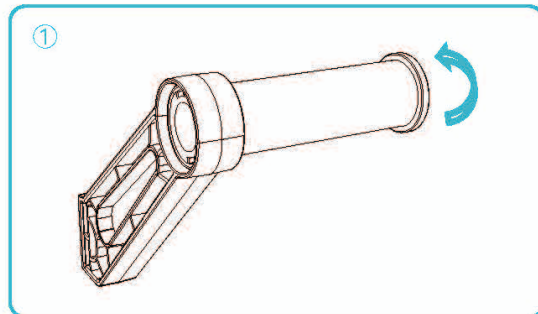
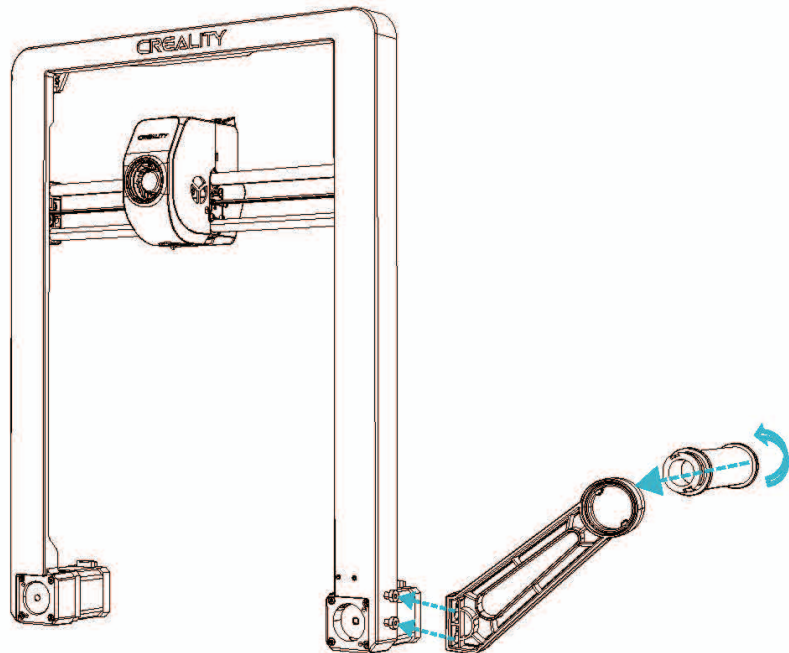
18 After-sales Services Card

Tips: the above accessories are for reference only. Please refer to the physical accessories.

3.Assembly Procedure

3.1 Material Rack Assembly Installation

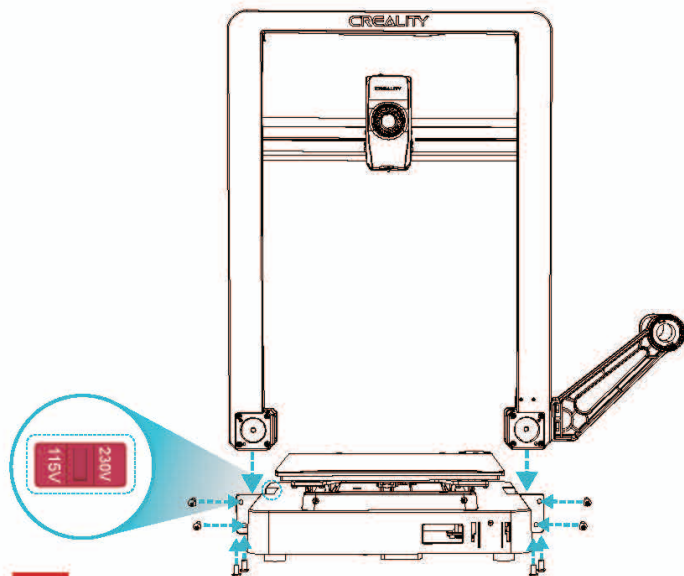
- ① Install the material rack and material barrel according to the diagram;
- ② Align the installed material rack component holes with the locking positions to the immediate right of the gantry frame and secure them smoothly.



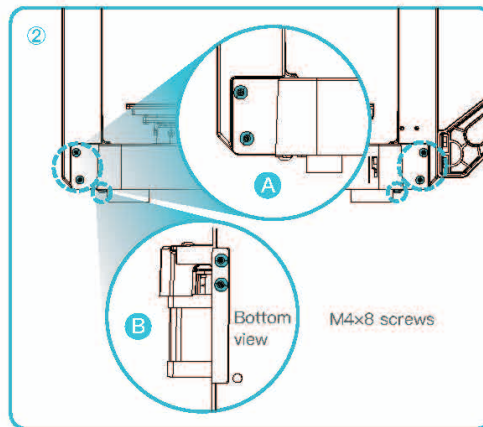
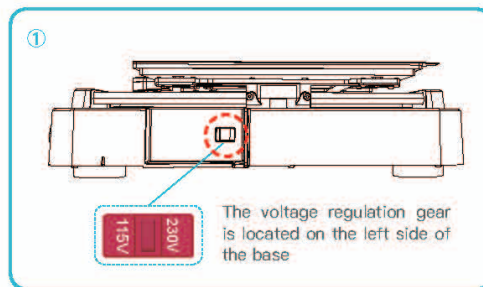
3.Assembly Procedure

3.2 Gantry Frame Assembly Installation

- ① Select the correct voltage mode based on the local power grid voltage;
- ② Place the gantry frame assembly into the slots on the base: A. First, use four M4x8 screws to align and secure the left and right screw holes on the base; B. Then, use four M4x8 screws to align and secure the screw holes on the bottom of the base.



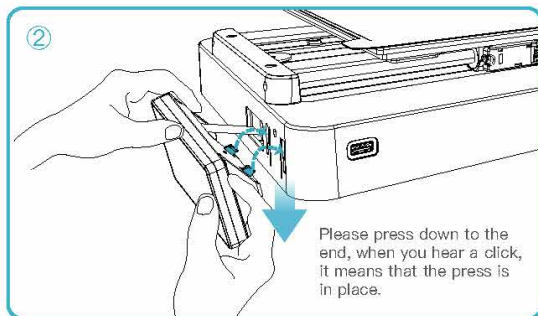
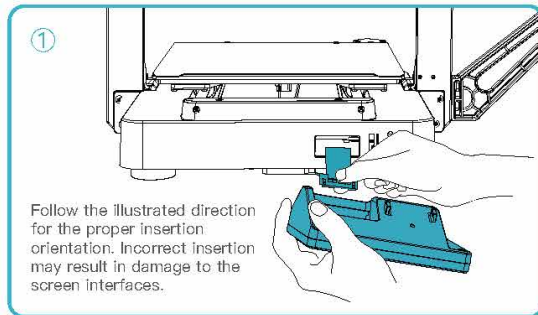
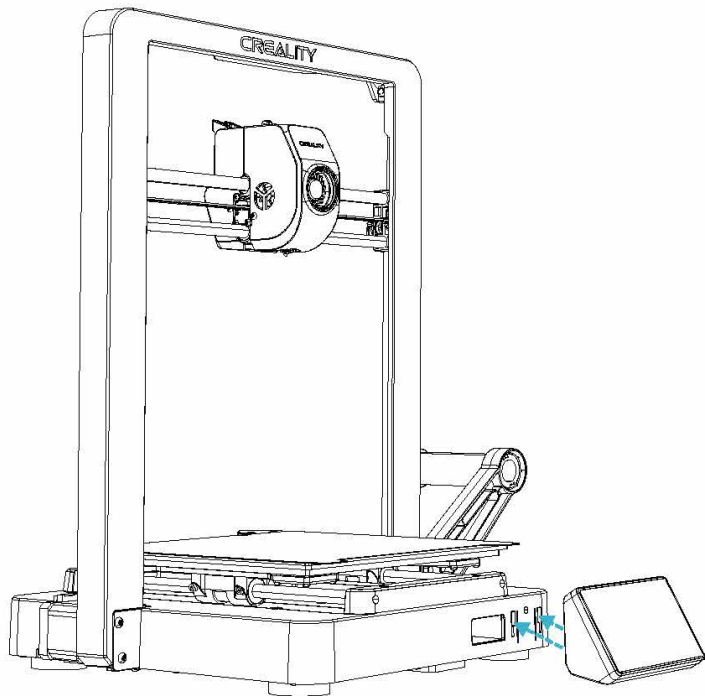
- Please ensure the correct position for the power supply switch and mains before supply connection, in order to avoid damage to the device.
- If the mains between 100V and 120V, please select the 115V for the power supply switch.
- If the mains between 200V and 240V, please select the 230V for the power supply switch (default is 230V).



3.Assembly Procedure

3.3 Touch screen Installation

- ① Connect the touchscreen to the base screen using the flexible flat cable;
- ② Snap the buckle on the back of the touch screen into the slots on the base.

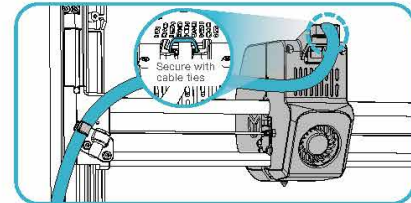
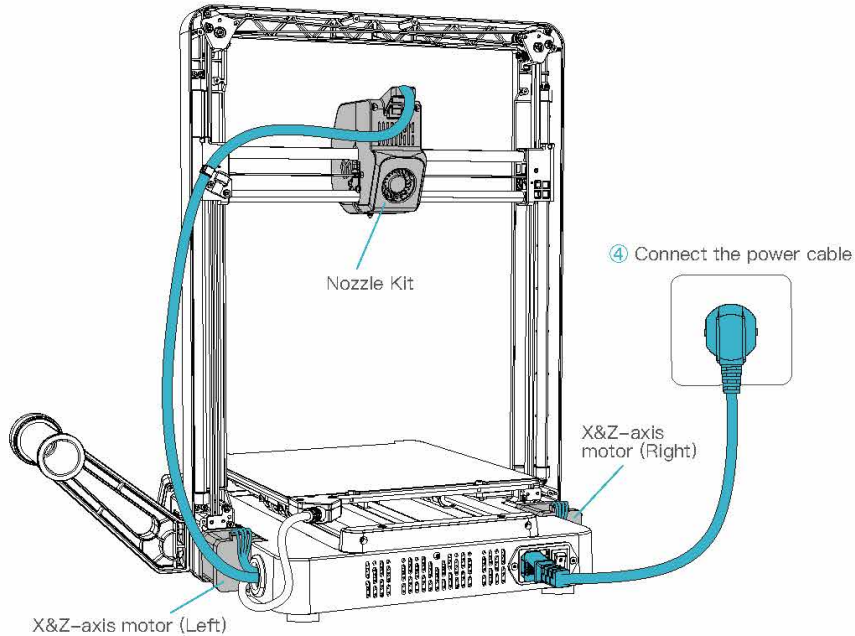


Tips:

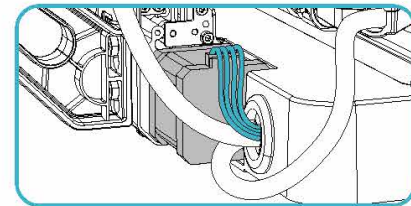
- ① Do not power up the machine while the touch screen is connected or disconnected from the connection cable;
- ② Gently pull the flexible flat cable of base screen, being cautious to avoid breaking it.

3.Assembly Procedure

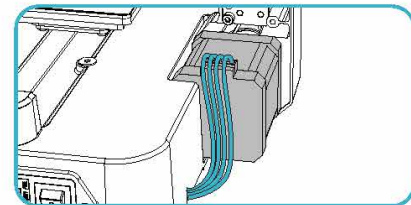
3.4 Equipment Wiring



① Start by inserting the nozzle cable into the cable clamp, then connect the nozzle kit, and finally use cable ties to secure the nozzle cable;



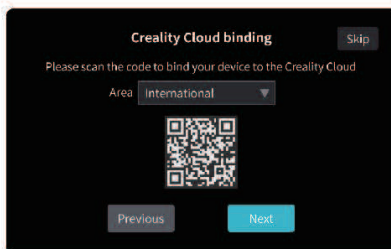
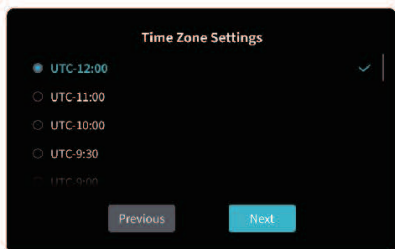
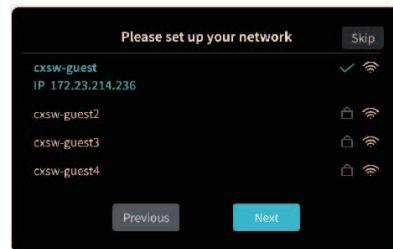
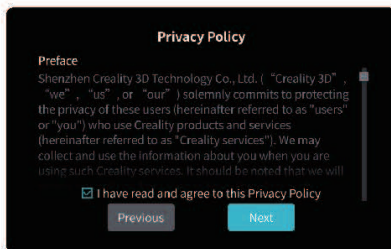
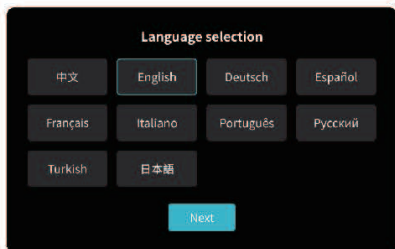
② Connect the X&Z-axis motor (left);



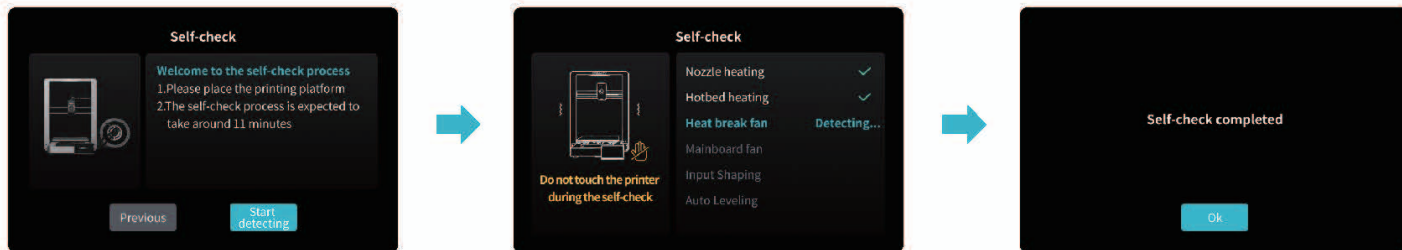
③ Connect the X&Z-axis motor (right).

4.About the Power-on Guide and User Interface

4.1 Power-on guide



The current interface is for reference only. Due to the continuous upgrading of functions, it shall be subject to the latest software/firmware UI published on the official website.



Tips:

If any abnormalities occur during the self-check process, please refer to the FAQ to check for possible machine malfunctions; Alternatively, scan the QR code for “fault reporting” to report the machine issue and seek assistance from the after-sales service for problem resolution.

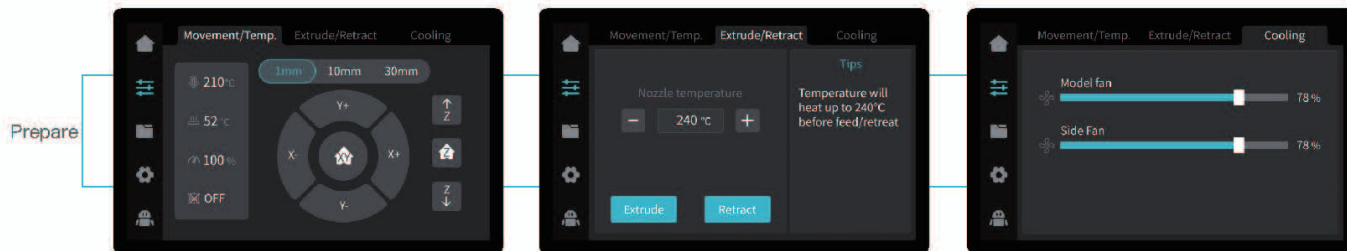


The current interface is for reference only. Due to the continuous upgrading of functions, it shall be subject to the latest software/firmware UI published on the official website.

4.2 About the User Interface



* You can configure functions such as extruder temperature and hotbed temperature through the homepage;

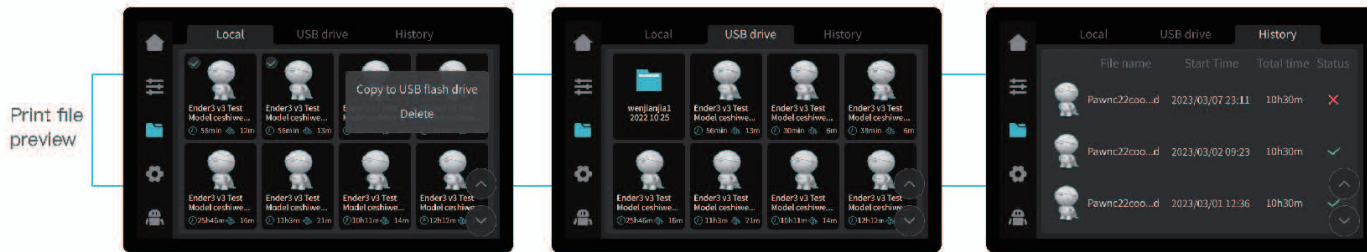


* You can configure functions such as axis movement/temperature control, extrude/retract, and fan cooling through the preparation interface.



The current interface is for reference only. Due to the continuous upgrading of functions, it shall be subject to the latest software/-firmware UI published on the official website.

4.About the Power-on Guide and User Interface



- * Press and hold on the model to select multiple models and copy them to a USB flash disk
- * Local and USB flash disk model files can be managed via the print file preview Interface.



- * Click on the model file to access its details
- * Checking "Calibration" can improve print quality



The current interface is for reference only. Due to the continuous upgrading of functions, it shall be subject to the latest software/-firmware UI published on the official website.