

4. Device Installation

4.3 Z-axis Cable Drag Chain Installation

- A. Insert the mainboard adapter cable into the appropriate interface and assemble the Z-axis cable drag chain at this end.
- B. Complete the assembly of the other end of the Z-axis cable drag chain.

Figure A

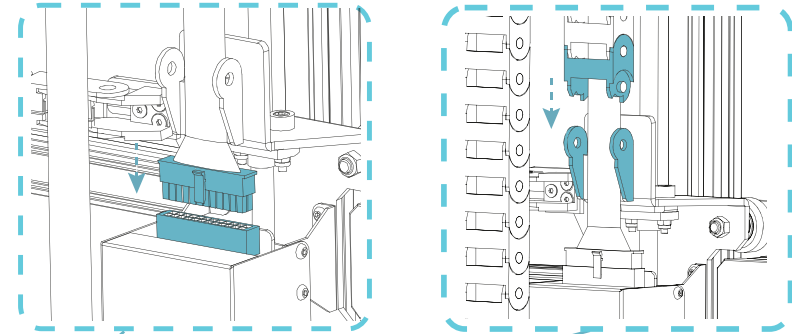
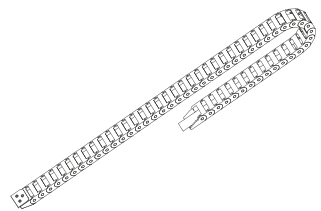
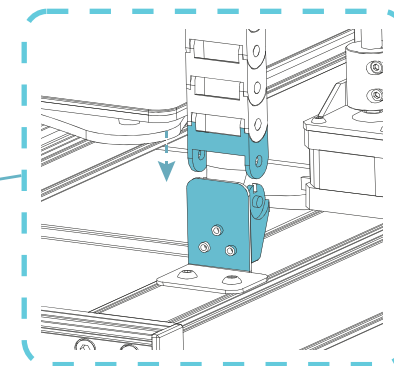
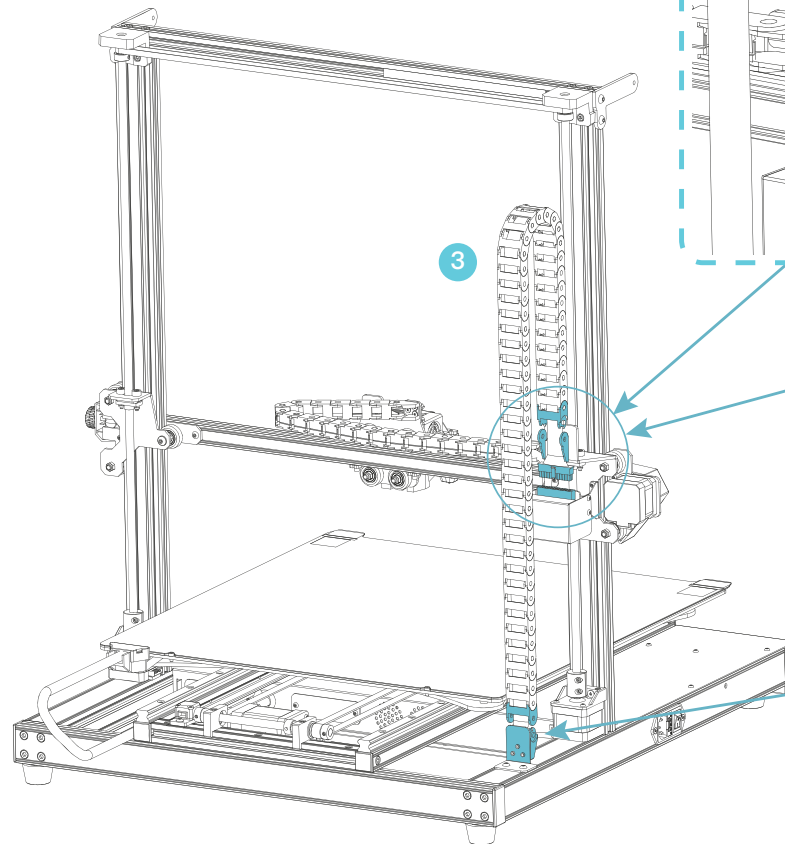


Figure B



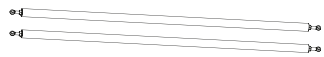
3 Z-axis Cable Drag Chain



4. Device Installation

4.4 Pull Rod Installation

- A. Fix one end of the pull rod to the top of the gantry frame with one M5*10 screw (just pre-tighten the screw).
- B. Fix the other end of the pull rod to the base with one M5*25 screw and one M5 flat gasket as shown, finally tighten the fixing screws on both ends of the pull rod; then complete the assembly of the pull rod on the other side using the same method.



6 Pull Rod x 2



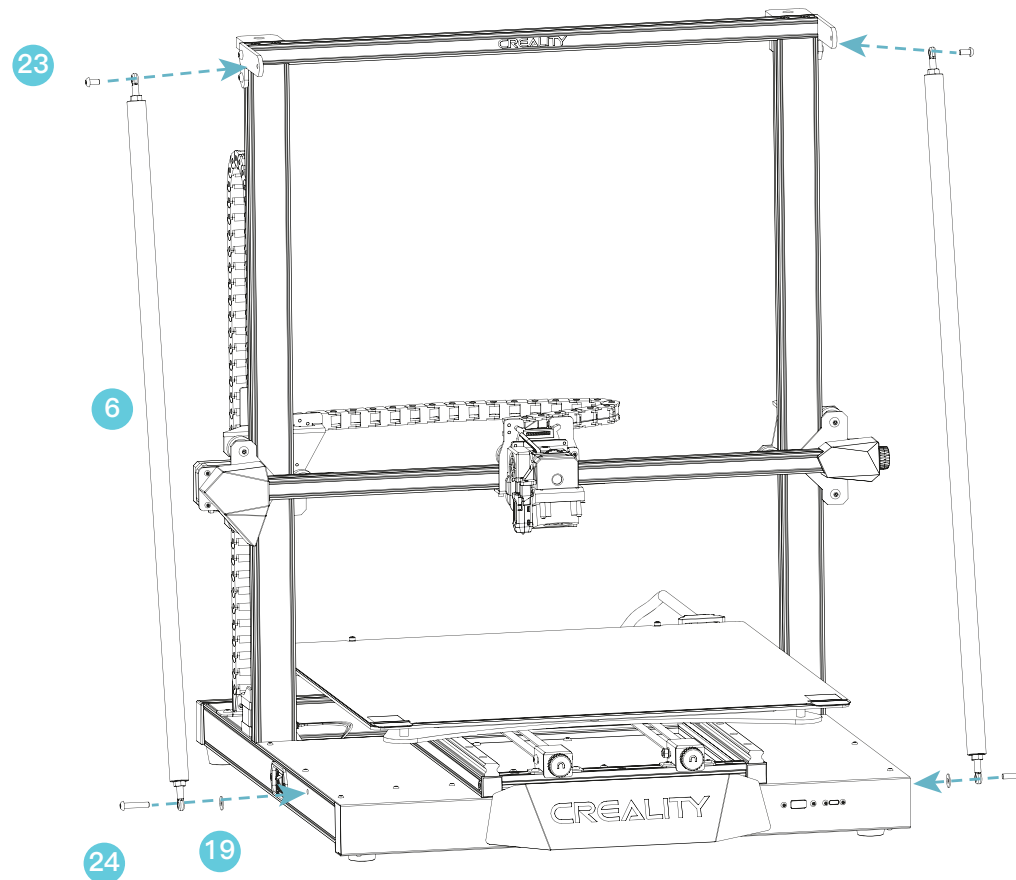
19 M5 Flat Gasket x 2



23 Hexagon Socket Button Head Screw M5*10 x 2



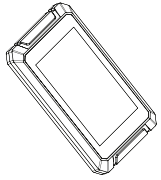
24 Hexagon Socket Button Head Screw M5*25 x 2



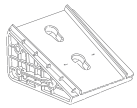
4. Device Installation

4.5 Display screen Installation

- A. Assemble the display screen frame with three M4*20 screws.
- B. Insert the display screen cable into the appropriate interface and snap the cable into the buckle.
- C. Align the pins on the back of the display screen with the punched holes in the display screen frame and insert it, then slide it downwards to fasten it.



4 Display screen



5 Display Screen Frame



21 Hexagon Socket Button Head Screw M4*20 x 3

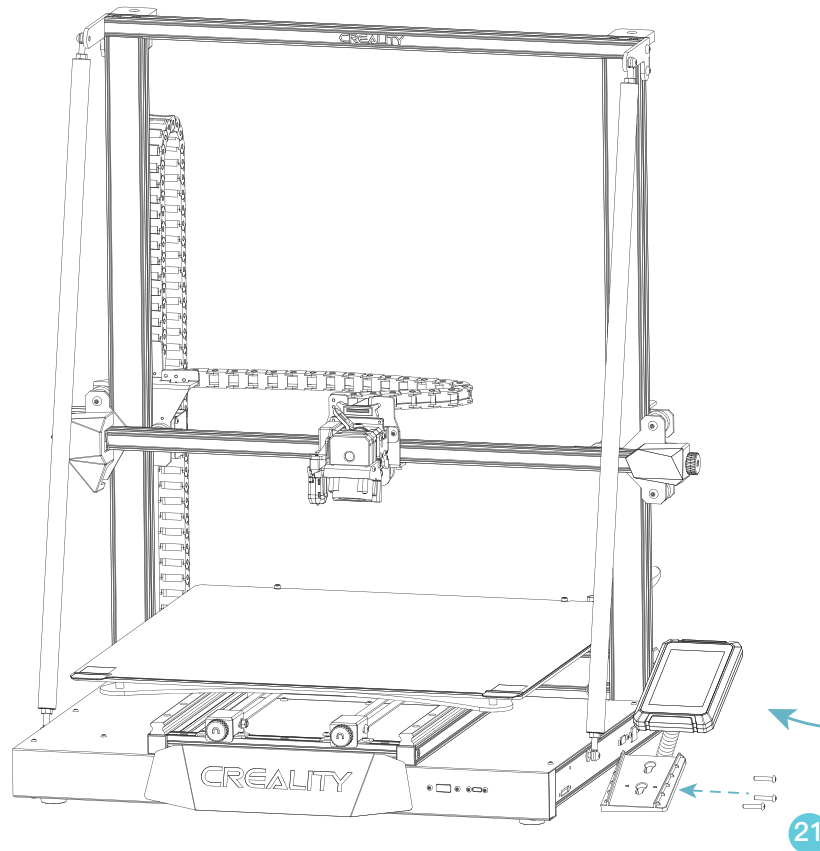


Figure A

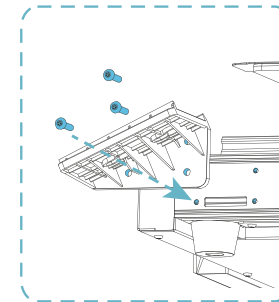
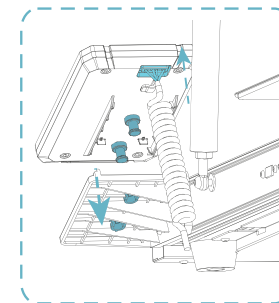


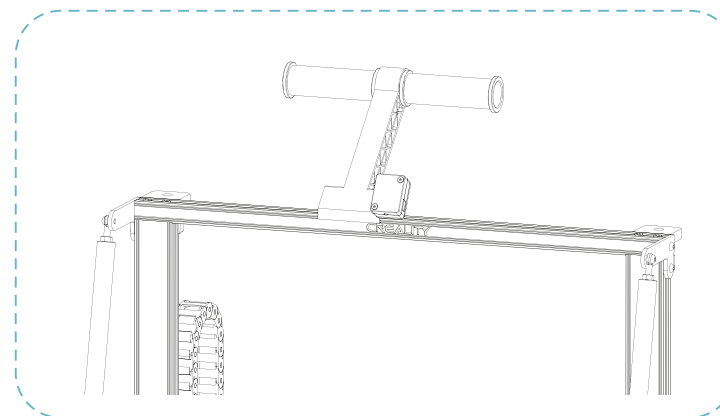
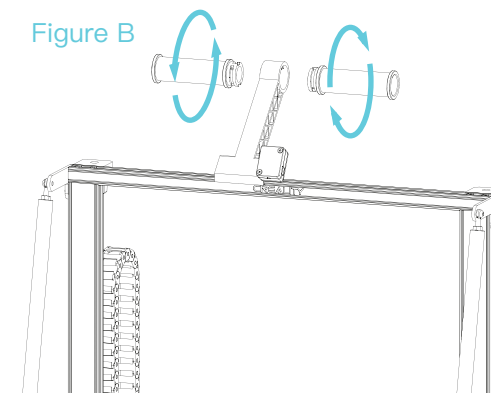
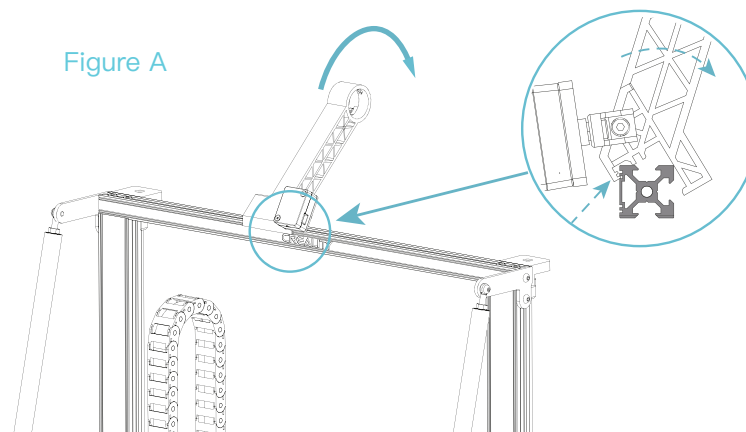
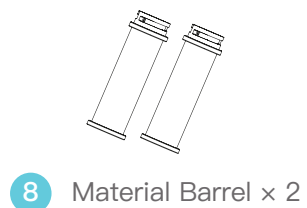
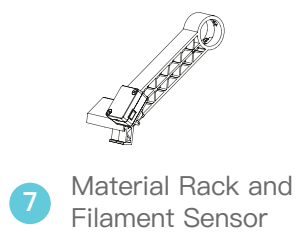
Figure B



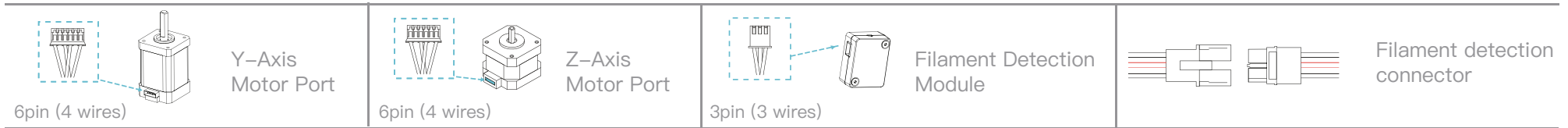
4. Device Installation

4.6 Material Rack Installation

- A. Fit the front slot of the material rack to the front slot of the top profile and press down on the end of the material rack to fix it.
- B. Screw the threaded ends of the two material barrels into the two ends of the material rack.



5. Equipment Connecting



- Follow the yellow label on the 6pin (4 wires) port to connect the Y-axis stepper motor;
- Follow the yellow label on the 6pin (4 wires) port to connect the Z-axis stepper motor;
- Connect the filament detection module by following the yellow label on the 3pin (3 wires) port;
- Connect the filament detection connector;

