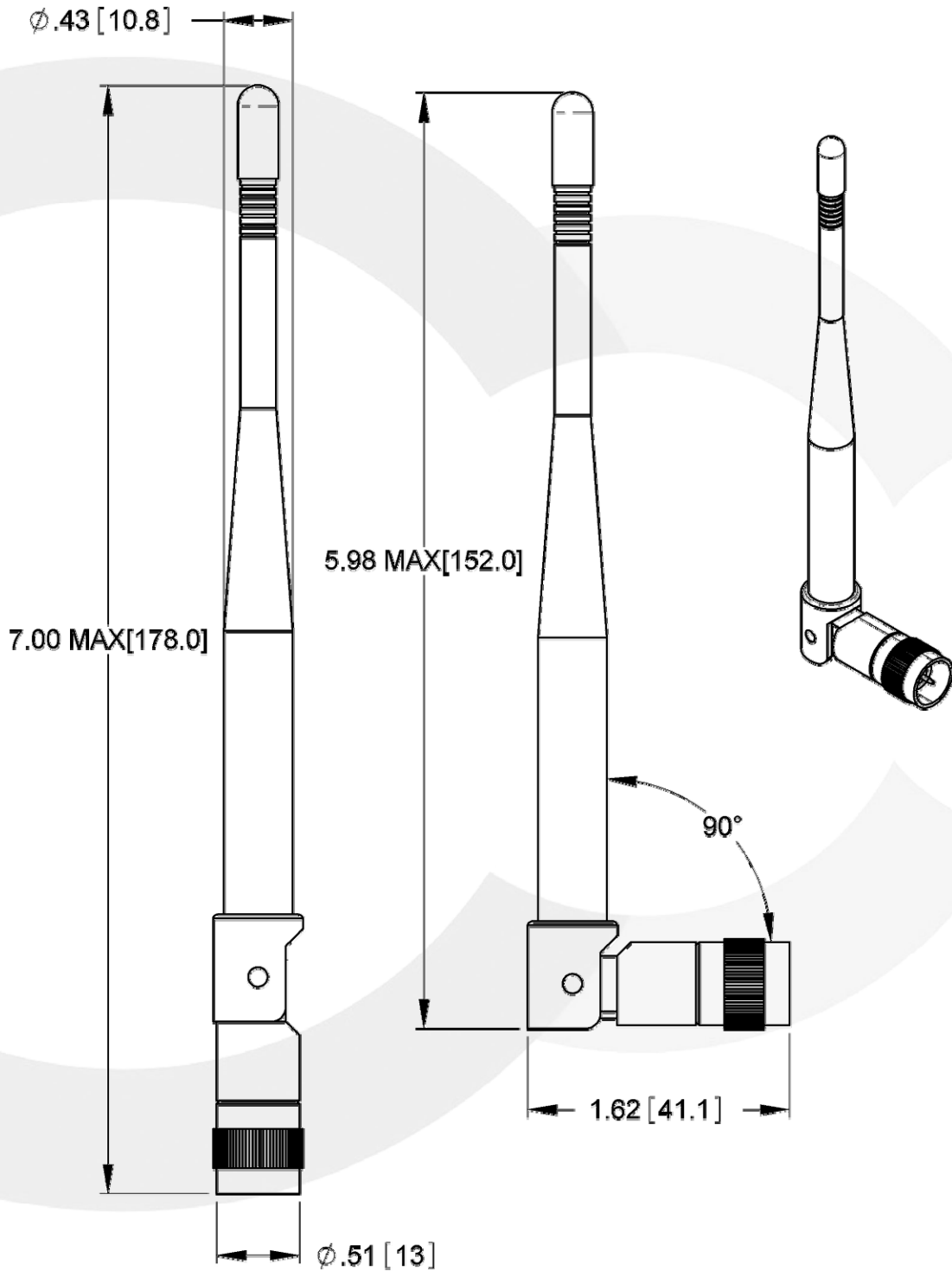


**SWIVEL DIPOLE 2.4-2.5 GHz – GAIN : 2dBi**  
**TNC OMNIDIRECTIONAL ANTENNA**

**SPDA172400**

Series : ANTENNA



All dimensions are in [mm]

Issue : 1019

In the effort to improve our products, we reserve the right to make changes judged to be necessary.



**SWIVEL DIPOLE 2.4-2.5 GHz – GAIN : 2dBi**
**TNC OMNIDIRECTIONAL ANTENNA**
**SPDA172400**

Series : ANTENNA

### ELECTRICAL SPECIFICATIONS

Frequency :.....	<b>2.4-2.5 GHz</b>
Nominal Impedance :.....	<b>50 Ω</b>
Antenna Type: .....	<b>Sleeve dipole</b>
VSWR :.....	<b>2:1 Max</b>
VSWR :.....	<b>1.5:1 Typical</b>
Peak Gain :	<b>+2.0 dBi</b>
Average Gain:	<b>+1.5 dBi</b>
Gain Ripple:	<b>+/- 0.5 dBi</b>

#### Radiation Pattern

-3 dB Beamwidth

Horizontal Plane :	<b>360°</b>
Vertical Plane :	<b>76° ° ±3°</b>

 Polarization : ..... **VERTICAL**

 Power withstanding :..... **2 W**

 Connector type : ..... **TNC**

### MECHANICAL SPECIFICATIONS

Plastic radome : .....	<b>Polyurethane</b>
Color :.....	<b>Black</b>
Sleeve Flexibility:.....	<b>+/-20° Max</b>
Pull Force (sleeve):.....	<b>112 N Max</b>
	<b>25 Lb. Max</b>

**Issue : 1019**

In the effort to improve our products, we reserve the right to make changes judged to be necessary.



**SWIVEL DIPOLE 2.4-2.5 GHz – GAIN : 2dBi**

**TNC OMNIDIRECTIONAL ANTENNA**

**SPDA172400**

Series : ANTENNA

Vibration:.....

Drop test:.....

Weight : .....

Overall length : .....

Frequency: 5-55Hz  
 Sweep rate: 0.5 Oct/min  
 Amplitude: 1 mm  
 Acceleration: 1.5 m/s<sup>2</sup>  
**0.75 m**  
**26 g**  
**178 mm Max**  
**7 inches Max**

**ENVIRONMENTAL SPECIFICATIONS**

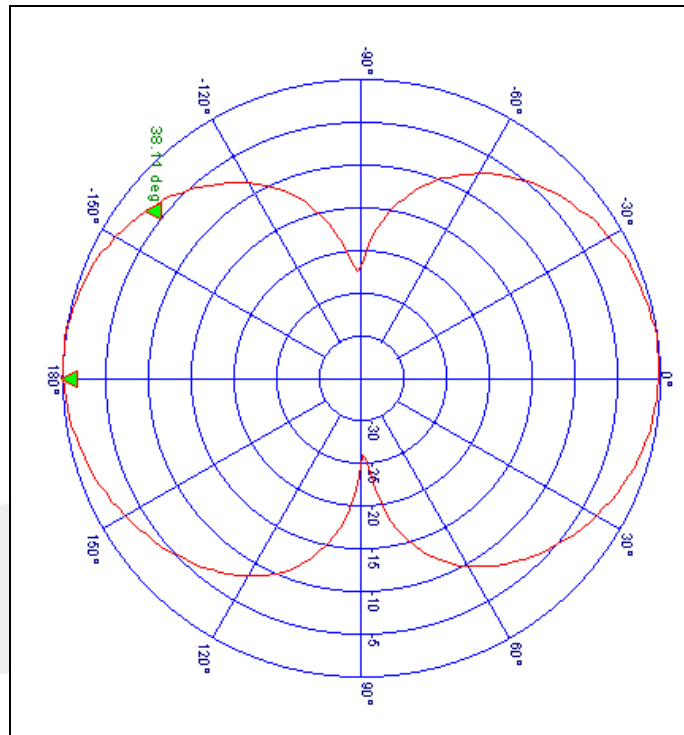
Operating temperature :.....

Humidity: .....

**-30/+60 ° C**  
**93% @ 30°C IEC68-2-56Cb**

**CURVES**

Vertical plane



Issue : 1019

In the effort to improve our products, we reserve the right to make changes judged to be necessary.

