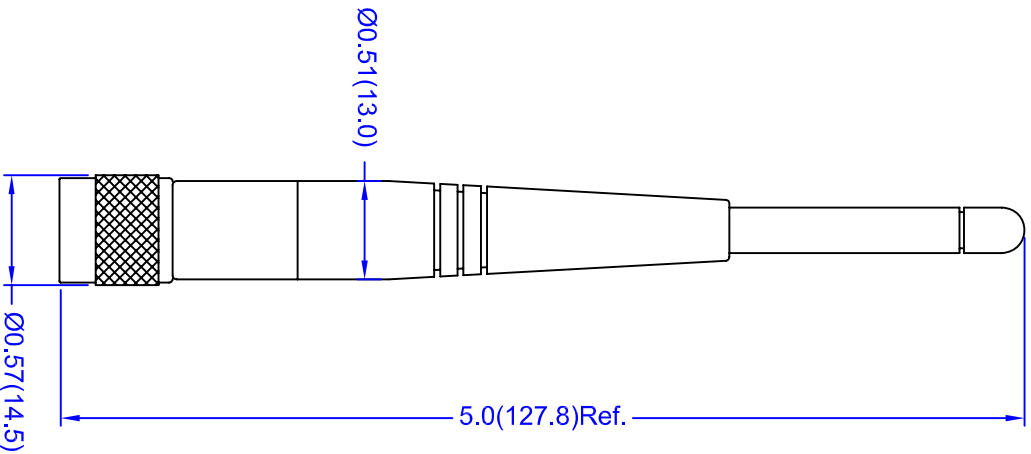


SMA type  
Connector



TNC type  
Connector

Electrical Properties:

Frequency Range: 2.4-2.5 GHz  
 Impedance: 50Ω nominal  
 VSWR: <2.0:1  
 Gain: 2 dBi  
 Radiation: Omni  
 Polarization: Vertical  
 Wave: Half Wave Dipole

Mechanical Properties:

Material: Polyurethane(Black)  
 Whip: Brass with black chrome plating  
 Connector: chrome plating  
 Operation Temp.: -20°C to +65°C  
 Storage Temp.: -30°C to +75°C

This is a RoHS compliant product.

TITLE	2.4GHz Straight Antenna		Rev. Date	SHEET
UNIT	DWG. NO.		03/22/06	1 of 2
in.(mm)	S181XX - 2450			
SCALE	<b>NEARSON</b>			
1:1				

## Series Part Numbers

Connector Code	Description	P / N
-XX-		
AM	SMA Plug	S181AM-2450
AH	SMA Plug Reverse Polarity	S181AH-2450
AT	SMA Plug Reverse Thread	S181AT-2450
TC	TNC Plug	S181TC-2450
TR	TNC Plug Reverse Polarity	S181TR-2450



SMA Plug  
(AM)



SMA Plug Reverse Polarity  
(AH)



TNC Plug  
(TC)

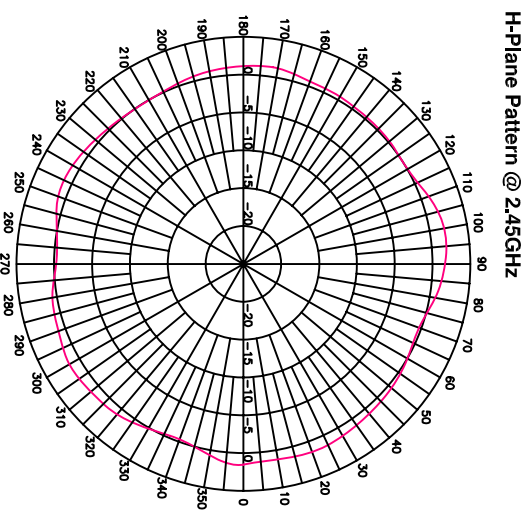
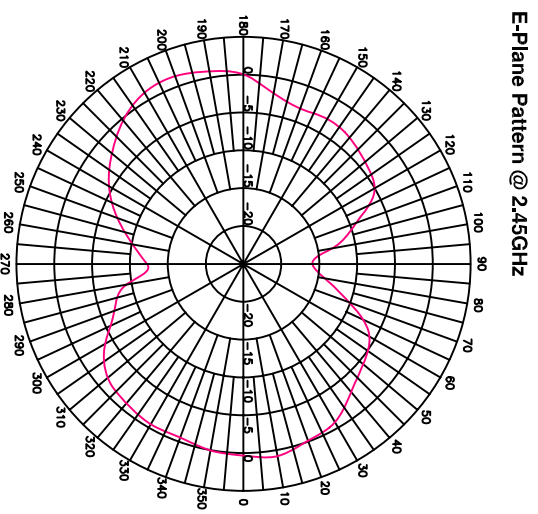


SMA Plug Reverse Thread  
(AT)



TNC Plug Reverse Polarity  
(TR)

## Connector Interface



TITLE	2.4GHz Straight Antenna		Rev. Date	SHEET
	-181 Model		03/22/06	2 of 2
UNIT	DWG. NO.	S181XX - 2450		
in.(mm)				
SCALE				
none				

# NEARSON