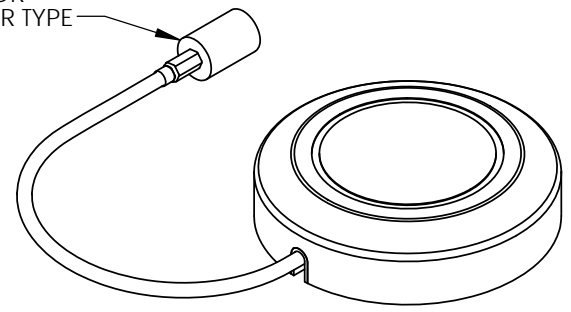
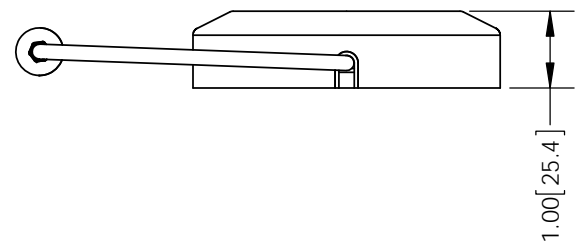
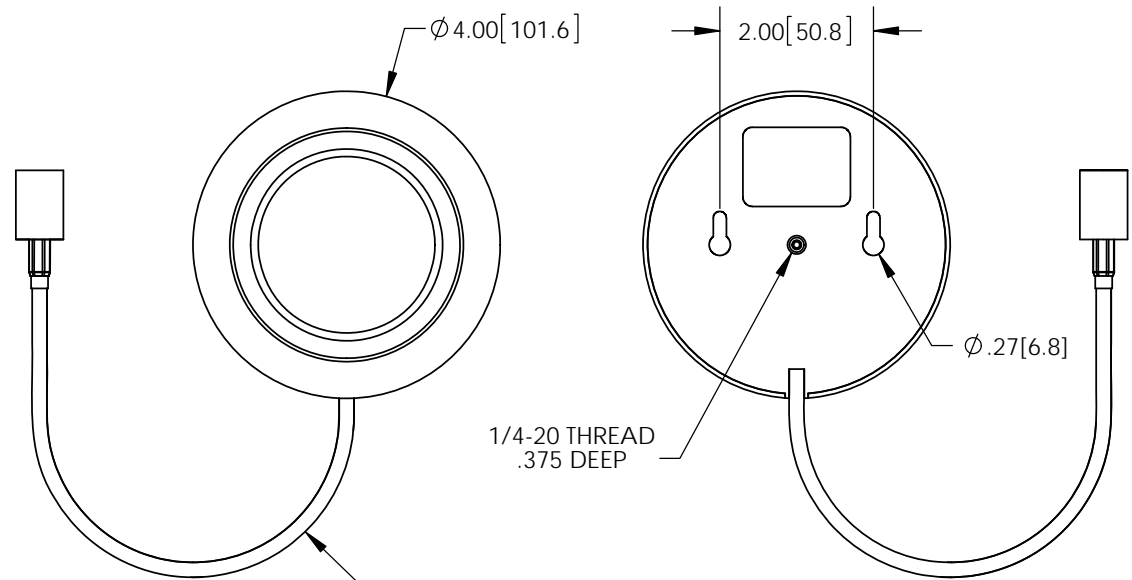


THE INFORMATION CONTAINED IN THIS DRAWING IS THE SOLE PROPERTY OF L-COM, INC. ANY REPRODUCTION IN PART OR WHOLE WITHOUT THE WRITTEN PERMISSION OF L-COM, INC. IS PROHIBITED.


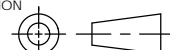
REVISIONS			
REV	DESCRIPTION	DATE	APPROVED
A	INITIAL RELEASE	05/18/11	B.PUCHASKI
B	ECN 6655 ADD PIGTAIL LENGTH TO CHART	01/30/13	B.PUCHASKI
C	ECN 7426 REMOVE SUFFIX AM FROM CONNECTOR CHART	05/09/14	B.PUCHASKI
D	ECN 8335 UPDATE CONNECTOR CHART WITH QP AND QPR	05/13/16	B.PUCHASKI

MODEL# HG2408P-		
SUFFIX	CONNECTOR TYPE	PIGTAIL LENGTH
NF	N-FEMALE	10"
NM	N-MALE	10"
RSP	RP SMA-PLUG	10"
RSJ	RP SMA-JACK	10"
RTP	RP TNC-PLUG	10"
RTJ	RP TNC-JACK	10"
RNP	RP N-PLUG	48"
RNJ	RP N-JACK	10"
SM	SMA MALE	48"
SF	SMA FEMALE	10"
TM	TNC MALE	48"
TF	TNC FEMALE	10"
BM	BNC MALE	48"
RBP	RP BNC PLUG	48"
RBJ	RP BNC JACK	10"
WM	WAVE RIDER COMPATIBLE TYPE	10"
QPR	QMA PLUG RIGHT ANGLE	48"
QP	QMA PLUG	48"



NOTES:
 PACKAGING:
 COMPONENT SHALL BE PACKAGED IN ACCORDANCE WITH L-COM SPEC PKG-00012

REGULATORY COMPLIANCE:
 CE2011/65/EU(RoHS DIRECTIVE)

UNLESS OTHERWISE SPECIFIED, DIMENSIONS ARE IN INCHES [mm] DIMENSIONAL TOLERANCES: .X = ±.1 [2.54] .XX = ±.01 [.25] .XXX = ±.005 [.13] ANGULAR TOLERANCES: ALL = ± 1°	APPROVALS	DATE	 50 HIGH STREET NORTH ANDOVER, MA 01845			
	DRAWN BY B.PUCHASKI	05/18/11				
	CHECKED BY P.PESA	05/18/11	CATEGORY	ANTENNA		
	APPROVED BY P.PESA	05/18/11	PRODUCT DESCRIPTION	2.4GHz 7.5dBi ROUND PATCH ANTENNA W/PIGTAIL AND CONNECTOR		
PROJECTION	CONFIGURATION DETAILS OF UNDIMENSIONED FEATURES MAY VARY	COLOR VARIATIONS MAY OCCUR	SIZE A	FSCM NO. 43321	DWG. NO. HG2408P	REV. D
		SCALE: NONE	CAD FILE: HG2408P.SLDDRW	SHEET 1 OF 1		