



LTE Band 5 / 10MHz / QPSK / RB Size 1 Offset 0/ The Worst Test Results for Lowest							
Frequency(MHz)	S G.Lev (dBm)	Ant(dBi)	Loss	PMea	Limit	Margin	Polarity
				(dBm)	(dBm)	(dBm)	
1657.55	-34.90	9.56	9.72	-35.06	-13.00	-22.06	H
2486.16	-34.14	10.50	10.86	-34.50	-13.00	-21.50	H
3315.28	-33.49	12.78	11.57	-32.28	-13.00	-19.28	H
1657.55	-35.09	9.56	9.72	-35.25	-13.00	-22.25	V
2486.16	-34.81	10.50	10.86	-35.17	-13.00	-22.17	V
3315.28	-32.42	12.78	11.57	-31.21	-13.00	-18.21	V
LTE Band 5 / 10MHz / QPSK / RB Size 1 Offset 0/ The Worst Test Results for Middle							
Frequency(MHz)	S G.Lev (dBm)	Ant(dBi)	Loss	PMea	Limit	Margin	Polarity
				(dBm)	(dBm)	(dBm)	
1672.23	-33.59	9.56	9.72	-33.75	-13.00	-20.75	H
2508.66	-34.72	10.50	10.86	-35.08	-13.00	-22.08	H
3345.27	-33.16	12.78	11.57	-31.95	-13.00	-18.95	H
1672.23	-34.61	9.56	9.72	-34.77	-13.00	-21.77	V
2508.66	-34.60	10.50	10.86	-34.96	-13.00	-21.96	V
3345.27	-32.96	12.78	11.57	-31.75	-13.00	-18.75	V
LTE Band 5 / 10MHz / QPSK / RB Size 1 Offset 0/ The Worst Test Results for Highest							
Frequency(MHz)	S G.Lev (dBm)	Ant(dBi)	Loss	PMea	Limit	Margin	Polarity
				(dBm)	(dBm)	(dBm)	
1687.62	-33.84	9.56	9.72	-34.00	-13.00	-21.00	H
2531.62	-34.26	10.50	10.86	-34.62	-13.00	-21.62	H
3375.66	-33.16	12.78	11.57	-31.95	-13.00	-18.95	H
1687.62	-35.29	9.56	9.72	-35.45	-13.00	-22.45	V
2531.62	-34.91	10.50	10.86	-35.27	-13.00	-22.27	V
3375.66	-31.91	12.78	11.57	-30.70	-13.00	-17.70	V



LTE Band 7 / 5MHz / QPSK / RB Size 1 Offset 0/ The Worst Test Results for Lowest							
Frequency(MHz)	S G.Lev (dBm)	Ant(dBi)	Loss	PMea	Limit	Margin	Polarity
				(dBm)	(dBm)	(dBm)	
5005.35	-34.65	12.66	15.86	-37.85	-25.00	-12.85	H
7507.73	-35.25	11.46	19.28	-43.07	-25.00	-18.07	H
10010.53	-32.66	12.79	23.19	-43.06	-25.00	-18.06	H
5005.35	-34.83	12.66	15.86	-38.03	-25.00	-13.03	V
7507.73	-34.29	11.46	19.28	-42.11	-25.00	-17.11	V
10010.53	-32.82	12.79	23.19	-43.22	-25.00	-18.22	V
LTE Band 7 / 5MHz / QPSK / RB Size 1 Offset 0/ The Worst Test Results for Middle							
Frequency(MHz)	S G.Lev (dBm)	Ant(dBi)	Loss	PMea	Limit	Margin	Polarity
				(dBm)	(dBm)	(dBm)	
5069.99	-34.11	12.72	15.86	-37.25	-25.00	-12.25	H
7604.93	-34.88	11.46	19.28	-42.70	-25.00	-17.70	H
10139.99	-32.67	12.09	23.19	-43.77	-25.00	-18.77	H
5069.99	-35.92	12.72	15.86	-39.06	-25.00	-14.06	V
7604.93	-34.15	11.46	19.28	-41.97	-25.00	-16.97	V
10139.99	-32.20	12.09	23.19	-43.30	-25.00	-18.30	V
LTE Band 7 / 5MHz / QPSK / RB Size 1 Offset 0/ The Worst Test Results for Highest							
Frequency(MHz)	S G.Lev (dBm)	Ant(dBi)	Loss	PMea	Limit	Margin	Polarity
				(dBm)	(dBm)	(dBm)	
5133.70	-33.48	12.76	15.86	-36.58	-25.00	-11.58	H
7701.20	-35.10	11.45	19.28	-42.93	-25.00	-17.93	H
10268.33	-33.29	12.28	23.19	-44.20	-25.00	-19.20	H
5133.70	-35.11	12.76	15.86	-38.21	-25.00	-13.21	V
7701.20	-35.12	11.45	19.28	-42.95	-25.00	-17.95	V
10268.33	-32.13	12.28	23.19	-43.04	-25.00	-18.04	V



LTE Band 7 / 10MHz / QPSK / RB Size 1 Offset 0/ The Worst Test Results for Lowest							
Frequency(MHz)	S G.Lev (dBm)	Ant(dBi)	Loss	PMea	Limit	Margin	Polarity
				(dBm)	(dBm)	(dBm)	
5123.54	-33.98	12.66	15.86	-37.18	-25.00	-12.18	H
7523.96	-34.62	11.46	19.28	-42.44	-25.00	-17.44	H
10031.91	-32.73	12.79	23.19	-43.13	-25.00	-18.13	H
5123.54	-35.22	12.66	15.86	-38.42	-25.00	-13.42	V
7523.96	-34.22	11.46	19.28	-42.04	-25.00	-17.04	V
10031.91	-32.56	12.79	23.19	-42.96	-25.00	-17.96	V
LTE Band 7 / 10MHz / QPSK / RB Size 1 Offset 0/ The Worst Test Results for Middle							
Frequency(MHz)	S G.Lev (dBm)	Ant(dBi)	Loss	PMea	Limit	Margin	Polarity
				(dBm)	(dBm)	(dBm)	
5069.95	-34.43	12.72	15.86	-37.57	-25.00	-12.57	H
7605.05	-34.96	11.46	19.28	-42.78	-25.00	-17.78	H
10139.93	-33.52	12.09	23.19	-44.62	-25.00	-19.62	H
5069.95	-34.91	12.72	15.86	-38.05	-25.00	-13.05	V
7605.05	-35.06	11.46	19.28	-42.88	-25.00	-17.88	V
10139.93	-32.60	12.09	23.19	-43.70	-25.00	-18.70	V
LTE Band 7 / 10MHz / QPSK / RB Size 1 Offset 0/ The Worst Test Results for Highest							
Frequency(MHz)	S G.Lev (dBm)	Ant(dBi)	Loss	PMea	Limit	Margin	Polarity
				(dBm)	(dBm)	(dBm)	
5129.31	-34.21	12.76	15.86	-37.31	-25.00	-12.31	H
7693.85	-34.23	11.45	19.28	-42.06	-25.00	-17.06	H
10258.86	-33.00	12.28	23.19	-43.91	-25.00	-18.91	H
5129.31	-35.71	12.76	15.86	-38.81	-25.00	-13.81	V
7693.85	-34.47	11.45	19.28	-42.30	-25.00	-17.30	V
10258.86	-32.30	12.28	23.19	-43.21	-25.00	-18.21	V



LTE Band 7 / 15MHz / QPSK / RB Size 1 Offset 0/ The Worst Test Results for Lowest							
Frequency(MHz)	S G.Lev (dBm)	Ant(dBi)	Loss	PMea	Limit	Margin	Polarity
				(dBm)	(dBm)	(dBm)	
5015.63	-33.46	12.66	15.86	-36.66	-25.00	-11.66	H
7523.91	-34.13	11.46	19.28	-41.95	-25.00	-16.95	H
10031.73	-32.97	12.79	23.19	-43.37	-25.00	-18.37	H
5015.63	-35.80	12.66	15.86	-39.00	-25.00	-14.00	V
7523.91	-35.20	11.46	19.28	-43.02	-25.00	-18.02	V
10031.73	-32.37	12.79	23.19	-42.77	-25.00	-17.77	V
LTE Band 7 / 15MHz / QPSK / RB Size 1 Offset 0/ The Worst Test Results for Middle							
Frequency(MHz)	S G.Lev (dBm)	Ant(dBi)	Loss	PMea	Limit	Margin	Polarity
				(dBm)	(dBm)	(dBm)	
5069.69	-34.04	12.72	15.86	-37.18	-25.00	-12.18	H
7604.84	-35.00	11.46	19.28	-42.82	-25.00	-17.82	H
10139.93	-32.17	12.09	23.19	-43.27	-25.00	-18.27	H
5069.69	-35.28	12.72	15.86	-38.42	-25.00	-13.42	V
7604.84	-34.72	11.46	19.28	-42.54	-25.00	-17.54	V
10139.93	-32.84	12.09	23.19	-43.94	-25.00	-18.94	V
LTE Band 7 / 15MHz / QPSK / RB Size 1 Offset 0/ The Worst Test Results for Highest							
Frequency(MHz)	S G.Lev (dBm)	Ant(dBi)	Loss	PMea	Limit	Margin	Polarity
				(dBm)	(dBm)	(dBm)	
5123.54	-33.98	12.76	15.86	-37.08	-25.00	-12.08	H
7523.96	-34.62	11.45	19.28	-42.45	-25.00	-17.45	H
10031.91	-32.73	12.28	23.19	-43.64	-25.00	-18.64	H
5123.54	-35.22	12.76	15.86	-38.32	-25.00	-13.32	V
7523.96	-34.22	11.45	19.28	-42.05	-25.00	-17.05	V
10031.91	-32.56	12.28	23.19	-43.47	-25.00	-18.47	V



LTE Band 7 / 20MHz / QPSK / RB Size 1 Offset 0/ The Worst Test Results for Lowest							
Frequency(MHz)	S G.Lev (dBm)	Ant(dBi)	Loss	PMea	Limit	Margin	Polarity
				(dBm)	(dBm)	(dBm)	
5021.18	-34.52	12.66	15.86	-37.72	-25.00	-12.72	H
7531.21	-34.21	11.46	19.28	-42.03	-25.00	-17.03	H
10258.54	-32.28	12.79	23.19	-42.68	-25.00	-17.68	H
5021.18	-35.10	12.66	15.86	-38.30	-25.00	-13.30	V
7531.21	-34.18	11.46	19.28	-42.00	-25.00	-17.00	V
10258.54	-31.97	12.79	23.19	-42.37	-25.00	-17.37	V
LTE Band 7 / 20MHz / QPSK / RB Size 1 Offset 0/ The Worst Test Results for Middle							
Frequency(MHz)	S G.Lev (dBm)	Ant(dBi)	Loss	PMea	Limit	Margin	Polarity
				(dBm)	(dBm)	(dBm)	
5069.67	-33.54	12.72	15.86	-36.68	-25.00	-11.68	H
7604.97	-34.63	11.46	19.28	-42.45	-25.00	-17.45	H
10139.64	-32.27	12.09	23.19	-43.37	-25.00	-18.37	H
5069.67	-35.71	12.72	15.86	-38.85	-25.00	-13.85	V
7604.97	-35.09	11.46	19.28	-42.91	-25.00	-17.91	V
10139.64	-33.11	12.09	23.19	-44.21	-25.00	-19.21	V
LTE Band 7 / 20MHz / QPSK / RB Size 1 Offset 0/ The Worst Test Results for Highest							
Frequency(MHz)	S G.Lev (dBm)	Ant(dBi)	Loss	PMea	Limit	Margin	Polarity
				(dBm)	(dBm)	(dBm)	
5118.61	-34.91	12.76	15.86	-38.01	-25.00	-13.01	H
7678.29	-34.23	11.45	19.28	-42.06	-25.00	-17.06	H
10238.01	-32.91	12.28	23.19	-43.82	-25.00	-18.82	H
5118.61	-35.14	12.76	15.86	-38.24	-25.00	-13.24	V
7678.29	-34.47	11.45	19.28	-42.30	-25.00	-17.30	V
10238.01	-32.06	12.28	23.19	-42.97	-25.00	-17.97	V



LTE Band 12 / 1.4MHz / QPSK / RB Size 1 Offset 0/ The Worst Test Results for Lowest							
Frequency(MHz)	S G.Lev (dBm)	Ant(dBi)	Loss	PMea	Limit	Margin	Polarity
				(dBm)	(dBm)	(dBm)	
1399.15	-34.93	8.17	9.34	-36.10	-13.00	-23.10	H
2098.75	-34.10	9.53	10.42	-34.99	-13.00	-21.99	H
2798.33	-32.92	11.27	11.12	-32.77	-13.00	-19.77	H
1399.15	-35.63	8.17	9.34	-36.80	-13.00	-23.80	V
2098.75	-34.44	9.53	10.42	-35.33	-13.00	-22.33	V
2798.33	-32.53	11.27	11.12	-32.38	-13.00	-19.38	V
LTE Band 12 / 1.4MHz / QPSK / RB Size 1 Offset 0/ The Worst Test Results for Middle							
Frequency(MHz)	S G.Lev (dBm)	Ant(dBi)	Loss	PMea	Limit	Margin	Polarity
				(dBm)	(dBm)	(dBm)	
1414.65	-33.47	8.17	9.34	-34.64	-13.00	-21.64	H
2122.35	-35.43	9.53	10.42	-36.32	-13.00	-23.32	H
2829.92	-33.27	11.27	11.12	-33.12	-13.00	-20.12	H
1414.65	-35.48	8.17	9.34	-36.65	-13.00	-23.65	V
2122.35	-33.96	9.53	10.42	-34.85	-13.00	-21.85	V
2829.92	-32.05	11.27	11.12	-31.90	-13.00	-18.90	V
LTE Band 12 / 1.4MHz / QPSK / RB Size 1 Offset 0/ The Worst Test Results for Highest							
Frequency(MHz)	S G.Lev (dBm)	Ant(dBi)	Loss	PMea	Limit	Margin	Polarity
				(dBm)	(dBm)	(dBm)	
1430.20	-34.42	8.17	9.34	-35.59	-13.00	-22.59	H
2145.61	-34.49	9.53	10.42	-35.38	-13.00	-22.38	H
2860.87	-32.29	11.27	11.12	-32.14	-13.00	-19.14	H
1430.20	-35.02	8.17	9.34	-36.19	-13.00	-23.19	V
2145.61	-34.53	9.53	10.42	-35.42	-13.00	-22.42	V
2860.87	-32.14	11.27	11.12	-31.99	-13.00	-18.99	V



LTE Band 12 / 3MHz / QPSK / RB Size 1 Offset 0/ The Worst Test Results for Lowest							
Frequency(MHz)	S G.Lev (dBm)	Ant(dBi)	Loss	PMea	Limit	Margin	Polarity
				(dBm)	(dBm)	(dBm)	
1400.65	-34.32	8.17	9.34	-35.49	-13.00	-22.49	H
2101.50	-34.72	9.53	10.42	-35.61	-13.00	-22.61	H
2801.64	-33.07	11.27	11.12	-32.92	-13.00	-19.92	H
1400.65	-34.88	8.17	9.34	-36.05	-13.00	-23.05	V
2101.50	-34.04	9.53	10.42	-34.93	-13.00	-21.93	V
2801.64	-31.82	11.27	11.12	-31.67	-13.00	-18.67	V
LTE Band 12 / 3MHz / QPSK / RB Size 1 Offset 0/ The Worst Test Results for Middle							
Frequency(MHz)	S G.Lev (dBm)	Ant(dBi)	Loss	PMea	Limit	Margin	Polarity
				(dBm)	(dBm)	(dBm)	
1414.71	-34.44	8.17	9.34	-35.61	-13.00	-22.61	H
2122.24	-35.01	9.53	10.42	-35.90	-13.00	-22.90	H
2829.67	-33.35	11.27	11.12	-33.20	-13.00	-20.20	H
1414.71	-35.64	8.17	9.34	-36.81	-13.00	-23.81	V
2122.24	-34.47	9.53	10.42	-35.36	-13.00	-22.36	V
2829.67	-32.32	11.27	11.12	-32.17	-13.00	-19.17	V
LTE Band 12 / 3MHz / QPSK / RB Size 1 Offset 0/ The Worst Test Results for Highest							
Frequency(MHz)	S G.Lev (dBm)	Ant(dBi)	Loss	PMea	Limit	Margin	Polarity
				(dBm)	(dBm)	(dBm)	
1428.67	-34.24	8.17	9.34	-35.41	-13.00	-22.41	H
2143.23	-34.06	9.53	10.42	-34.95	-13.00	-21.95	H
2857.94	-32.53	11.27	11.12	-32.38	-13.00	-19.38	H
1428.67	-35.80	8.17	9.34	-36.97	-13.00	-23.97	V
2143.23	-34.30	9.53	10.42	-35.19	-13.00	-22.19	V
2857.94	-32.73	11.27	11.12	-32.58	-13.00	-19.58	V



LTE Band 12 / 5MHz / QPSK / RB Size 1 Offset 0/ The Worst Test Results for Lowest							
Frequency(MHz)	S G.Lev (dBm)	Ant(dBi)	Loss	PMea	Limit	Margin	Polarity
				(dBm)	(dBm)	(dBm)	
1402.69	-33.46	8.17	9.34	-34.63	-13.00	-21.63	H
2104.29	-34.84	9.53	10.42	-35.73	-13.00	-22.73	H
2805.58	-33.45	11.27	11.12	-33.30	-13.00	-20.30	H
1402.69	-35.27	8.17	9.34	-36.44	-13.00	-23.44	V
2104.29	-35.25	9.53	10.42	-36.14	-13.00	-23.14	V
2805.58	-31.83	11.27	11.12	-31.68	-13.00	-18.68	V
LTE Band 12 / 5MHz / QPSK / RB Size 1 Offset 0/ The Worst Test Results for Middle							
Frequency(MHz)	S G.Lev (dBm)	Ant(dBi)	Loss	PMea	Limit	Margin	Polarity
				(dBm)	(dBm)	(dBm)	
1414.72	-33.93	8.17	9.34	-35.10	-13.00	-22.10	H
2122.40	-35.27	9.53	10.42	-36.16	-13.00	-23.16	H
2829.70	-33.12	11.27	11.12	-32.97	-13.00	-19.97	H
1414.72	-34.94	8.17	9.34	-36.11	-13.00	-23.11	V
2122.40	-34.01	9.53	10.42	-34.90	-13.00	-21.90	V
2829.70	-32.07	11.27	11.12	-31.92	-13.00	-18.92	V
LTE Band 12 / 5MHz / QPSK / RB Size 1 Offset 0/ The Worst Test Results for Highest							
Frequency(MHz)	S G.Lev (dBm)	Ant(dBi)	Loss	PMea	Limit	Margin	Polarity
				(dBm)	(dBm)	(dBm)	
1426.50	-34.51	8.17	9.34	-35.68	-13.00	-22.68	H
2140.22	-34.04	9.53	10.42	-34.93	-13.00	-21.93	H
2853.61	-32.57	11.27	11.12	-32.42	-13.00	-19.42	H
1426.50	-34.96	8.17	9.34	-36.13	-13.00	-23.13	V
2140.22	-34.65	9.53	10.42	-35.54	-13.00	-22.54	V
2853.61	-33.10	11.27	11.12	-32.95	-13.00	-19.95	V



LTE Band 12 / 10MHz / QPSK / RB Size 1 Offset 0/ The Worst Test Results for Lowest							
Frequency(MHz)	S G.Lev (dBm)	Ant(dBi)	Loss	PMea	Limit	Margin	Polarity
				(dBm)	(dBm)	(dBm)	
1407.59	-33.85	8.17	9.34	-35.02	-13.00	-22.02	H
2111.66	-34.91	9.53	10.42	-35.80	-13.00	-22.80	H
2815.56	-33.03	11.27	11.12	-32.88	-13.00	-19.88	H
1407.59	-35.15	8.17	9.34	-36.32	-13.00	-23.32	V
2111.66	-35.04	9.53	10.42	-35.93	-13.00	-22.93	V
2815.56	-32.38	11.27	11.12	-32.23	-13.00	-19.23	V
LTE Band 12 / 10MHz / QPSK / RB Size 1 Offset 0/ The Worst Test Results for Middle							
Frequency(MHz)	S G.Lev (dBm)	Ant(dBi)	Loss	PMea	Limit	Margin	Polarity
				(dBm)	(dBm)	(dBm)	
1414.99	-33.66	8.17	9.34	-34.83	-13.00	-21.83	H
2122.35	-34.84	9.53	10.42	-35.73	-13.00	-22.73	H
2829.77	-33.39	11.27	11.12	-33.24	-13.00	-20.24	H
1414.99	-35.15	8.17	9.34	-36.32	-13.00	-23.32	V
2122.35	-34.66	9.53	10.42	-35.55	-13.00	-22.55	V
2829.77	-32.59	11.27	11.12	-32.44	-13.00	-19.44	V
LTE Band 12 / 10MHz / QPSK / RB Size 1 Offset 0/ The Worst Test Results for Highest							
Frequency(MHz)	S G.Lev (dBm)	Ant(dBi)	Loss	PMea	Limit	Margin	Polarity
				(dBm)	(dBm)	(dBm)	
1421.63	-33.88	8.17	9.34	-35.05	-13.00	-22.05	H
2132.54	-35.42	9.53	10.42	-36.31	-13.00	-23.31	H
2843.59	-33.32	11.27	11.12	-33.17	-13.00	-20.17	H
1421.63	-35.06	8.17	9.34	-36.23	-13.00	-23.23	V
2132.54	-34.78	9.53	10.42	-35.67	-13.00	-22.67	V
2843.59	-32.11	11.27	11.12	-31.96	-13.00	-18.96	V



LTE Band 13 / 5MHz / QPSK / RB Size 1 Offset 0/ The Worst Test Results for Lowest							
Frequency(MHz)	S G.Lev (dBm)	Ant(dBi)	Loss	PMea	Limit	Margin	Polarity
				(dBm)	(dBm)	(dBm)	
1559.27	-47.81	9.56	9.72	-47.97	-40.00	-7.97	H
2338.50	-47.14	10.50	10.86	-47.50	-13.00	-34.50	H
3118.15	-45.21	12.78	11.57	-44.00	-13.00	-31.00	H
1559.27	-47.84	9.56	9.72	-48.00	-40.00	-8.00	V
2338.50	-46.51	10.50	10.86	-46.87	-13.00	-33.87	V
3118.15	-45.89	12.78	11.57	-44.68	-13.00	-31.68	V
LTE Band 13 / 5MHz / QPSK / RB Size 1 Offset 0/ The Worst Test Results for Middle							
Frequency(MHz)	S G.Lev (dBm)	Ant(dBi)	Loss	PMea	Limit	Margin	Polarity
				(dBm)	(dBm)	(dBm)	
1564.28	-47.87	9.56	9.72	-48.03	-40.00	-8.03	H
2345.92	-47.12	10.50	10.86	-47.48	-13.00	-34.48	H
3128.10	-45.98	12.78	11.57	-44.77	-13.00	-31.77	H
1564.28	-48.79	9.56	9.72	-48.95	-40.00	-8.95	V
2345.92	-47.21	10.50	10.86	-47.57	-13.00	-34.57	V
3128.10	-46.26	12.78	11.57	-45.05	-13.00	-32.05	V
LTE Band 13 / 5MHz / QPSK / RB Size 1 Offset 0/ The Worst Test Results for Highest							
Frequency(MHz)	S G.Lev (dBm)	Ant(dBi)	Loss	PMea	Limit	Margin	Polarity
				(dBm)	(dBm)	(dBm)	
1568.79	-48.15	9.56	9.72	-48.31	-40.00	-8.31	H
2353.43	-47.39	10.50	10.86	-47.75	-13.00	-34.75	H
3138.27	-45.23	12.78	11.57	-44.02	-13.00	-31.02	H
1568.79	-47.80	9.56	9.72	-47.96	-40.00	-7.96	V
2353.43	-46.02	10.50	10.86	-46.38	-13.00	-33.38	V
3138.27	-46.17	12.78	11.57	-44.96	-13.00	-31.96	V

LTE Band 13 / 10MHz / QPSK / RB Size 1 Offset 0/ The Worst Test Results for Middle							
Frequency(MHz)	S G.Lev (dBm)	Ant(dBi)	Loss	PMea	Limit	Margin	Polarity
				(dBm)	(dBm)	(dBm)	
1563.73	-48.05	9.56	9.72	-48.21	-40.00	-8.21	H
2346.19	-46.13	10.50	10.86	-46.49	-13.00	-33.49	H
3128.10	-46.64	12.78	11.57	-45.43	-13.00	-32.43	H
1563.73	-47.71	9.56	9.72	-47.87	-40.00	-7.87	V
2346.19	-46.55	10.50	10.86	-46.91	-13.00	-33.91	V
3128.10	-46.24	12.78	11.57	-45.03	-13.00	-32.03	V



LTE Band 25 / 1.4MHz / QPSK / RB Size 1 Offset 0/ The Worst Test Results for Lowest							
Frequency(MHz)	S G.Lev (dBm)	Ant(dBi)	Loss	PMea	Limit	Margin	Polarity
				(dBm)	(dBm)	(dBm)	
3701.02	-34.61	12.60	12.93	-34.94	-13.00	-21.94	H
5552.05	-34.23	13.10	17.11	-38.24	-13.00	-25.24	H
7402.64	-33.15	11.50	22.20	-43.85	-13.00	-30.85	H
3701.02	-35.19	12.60	12.93	-35.52	-13.00	-22.52	V
5552.05	-33.77	13.10	17.11	-37.78	-13.00	-24.78	V
7402.64	-32.40	11.50	22.20	-43.10	-13.00	-30.10	V
LTE Band 25 / 1.4MHz / QPSK / RB Size 1 Offset 0/ The Worst Test Results for Middle							
Frequency(MHz)	S G.Lev (dBm)	Ant(dBi)	Loss	PMea	Limit	Margin	Polarity
				(dBm)	(dBm)	(dBm)	
3764.97	-33.87	12.60	12.93	-34.20	-13.00	-21.20	H
5647.12	-35.31	13.10	17.11	-39.32	-13.00	-26.32	H
7530.25	-32.33	11.50	22.20	-43.03	-13.00	-30.03	H
3764.97	-34.55	12.60	12.93	-34.88	-13.00	-21.88	V
5647.12	-34.27	13.10	17.11	-38.28	-13.00	-25.28	V
7530.25	-31.74	11.50	22.20	-42.44	-13.00	-29.44	V
LTE Band 25 / 1.4MHz / QPSK / RB Size 1 Offset 0/ The Worst Test Results for Highest							
Frequency(MHz)	S G.Lev (dBm)	Ant(dBi)	Loss	PMea	Limit	Margin	Polarity
				(dBm)	(dBm)	(dBm)	
3828.49	-33.92	12.60	12.93	-34.25	-13.00	-21.25	H
5727.87	-34.80	13.10	17.11	-38.81	-13.00	-25.81	H
7656.86	-32.69	11.50	22.20	-43.39	-13.00	-30.39	H
3828.49	-36.00	12.60	12.93	-36.33	-13.00	-23.33	V
5727.87	-34.73	13.10	17.11	-38.74	-13.00	-25.74	V
7656.86	-31.82	11.50	22.20	-42.52	-13.00	-29.52	V



LTE Band 25 / 3MHz / QPSK / RB Size 1 Offset 0/ The Worst Test Results for Lowest							
Frequency(MHz)	S G.Lev (dBm)	Ant(dBi)	Loss	PMea	Limit	Margin	Polarity
				(dBm)	(dBm)	(dBm)	
3703.20	-34.89	12.60	12.93	-35.22	-13.00	-22.22	H
5554.42	-35.33	13.10	17.11	-39.34	-13.00	-26.34	H
7406.11	-32.52	11.50	22.20	-43.22	-13.00	-30.22	H
3703.20	-35.06	12.60	12.93	-35.39	-13.00	-22.39	V
5554.42	-34.12	13.10	17.11	-38.13	-13.00	-25.13	V
7406.11	-31.90	11.50	22.20	-42.60	-13.00	-29.60	V
LTE Band 25 / 3MHz / QPSK / RB Size 1 Offset 0/ The Worst Test Results for Middle							
Frequency(MHz)	S G.Lev (dBm)	Ant(dBi)	Loss	PMea	Limit	Margin	Polarity
				(dBm)	(dBm)	(dBm)	
3765.15	-33.52	12.60	12.93	-33.85	-13.00	-20.85	H
5647.05	-34.18	13.10	17.11	-38.19	-13.00	-25.19	H
7530.24	-33.61	11.50	22.20	-44.31	-13.00	-31.31	H
3765.15	-34.97	12.60	12.93	-35.30	-13.00	-22.30	V
5647.05	-34.18	13.10	17.11	-38.19	-13.00	-25.19	V
7530.24	-32.59	11.50	22.20	-43.29	-13.00	-30.29	V
LTE Band 25 / 3MHz / QPSK / RB Size 1 Offset 0/ The Worst Test Results for Highest							
Frequency(MHz)	S G.Lev (dBm)	Ant(dBi)	Loss	PMea	Limit	Margin	Polarity
				(dBm)	(dBm)	(dBm)	
3826.97	-34.10	12.60	12.93	-34.43	-13.00	-21.43	H
5739.99	-34.18	13.10	17.11	-38.19	-13.00	-25.19	H
7654.42	-33.19	11.50	22.20	-43.89	-13.00	-30.89	H
3826.97	-35.16	12.60	12.93	-35.49	-13.00	-22.49	V
5739.99	-35.12	13.10	17.11	-39.13	-13.00	-26.13	V
7654.42	-32.32	11.50	22.20	-43.02	-13.00	-30.02	V



LTE Band 25 / 5MHz / QPSK / RB Size 1 Offset 0/ The Worst Test Results for Lowest							
Frequency(MHz)	S G.Lev (dBm)	Ant(dBi)	Loss	PMea	Limit	Margin	Polarity
				(dBm)	(dBm)	(dBm)	
3705.16	-34.06	12.60	12.93	-34.39	-13.00	-21.39	H
5557.38	-34.24	13.10	17.11	-38.25	-13.00	-25.25	H
7409.84	-32.45	11.50	22.20	-43.15	-13.00	-30.15	H
3705.16	-35.43	12.60	12.93	-35.76	-13.00	-22.76	V
5557.38	-34.68	13.10	17.11	-38.69	-13.00	-25.69	V
7409.84	-32.63	11.50	22.20	-43.33	-13.00	-30.33	V
LTE Band 25 / 5MHz / QPSK / RB Size 1 Offset 0/ The Worst Test Results for Middle							
Frequency(MHz)	S G.Lev (dBm)	Ant(dBi)	Loss	PMea	Limit	Margin	Polarity
				(dBm)	(dBm)	(dBm)	
3764.82	-34.54	12.60	12.93	-34.87	-13.00	-21.87	H
5646.99	-34.38	13.10	17.11	-38.39	-13.00	-25.39	H
7529.97	-32.24	11.50	22.20	-42.94	-13.00	-29.94	H
3764.82	-35.97	12.60	12.93	-36.30	-13.00	-23.30	V
5646.99	-34.53	13.10	17.11	-38.54	-13.00	-25.54	V
7529.97	-32.46	11.50	22.20	-43.16	-13.00	-30.16	V
LTE Band 25 / 5MHz / QPSK / RB Size 1 Offset 0/ The Worst Test Results for Highest							
Frequency(MHz)	S G.Lev (dBm)	Ant(dBi)	Loss	PMea	Limit	Margin	Polarity
				(dBm)	(dBm)	(dBm)	
3825.38	-34.44	12.60	12.93	-34.77	-13.00	-21.77	H
5737.36	-34.22	13.10	17.11	-38.23	-13.00	-25.23	H
7650.45	-33.26	11.50	22.20	-43.96	-13.00	-30.96	H
3825.38	-35.49	12.60	12.93	-35.82	-13.00	-22.82	V
5737.36	-34.84	13.10	17.11	-38.85	-13.00	-25.85	V
7650.45	-32.65	11.50	22.20	-43.35	-13.00	-30.35	V



LTE Band 25 / 10MHz / QPSK / RB Size 1 Offset 0/ The Worst Test Results for Lowest							
Frequency(MHz)	S G.Lev (dBm)	Ant(dBi)	Loss	PMea	Limit	Margin	Polarity
				(dBm)	(dBm)	(dBm)	
3710.27	-34.54	12.60	12.93	-34.87	-13.00	-21.87	H
5565.25	-34.33	13.10	17.11	-38.34	-13.00	-25.34	H
7420.10	-32.37	11.50	22.20	-43.07	-13.00	-30.07	H
3710.27	-35.59	12.60	12.93	-35.92	-13.00	-22.92	V
5565.25	-34.50	13.10	17.11	-38.51	-13.00	-25.51	V
7420.10	-32.53	11.50	22.20	-43.23	-13.00	-30.23	V
LTE Band 25 / 10MHz / QPSK / RB Size 1 Offset 0/ The Worst Test Results for Middle							
Frequency(MHz)	S G.Lev (dBm)	Ant(dBi)	Loss	PMea	Limit	Margin	Polarity
				(dBm)	(dBm)	(dBm)	
3765.03	-33.93	12.60	12.93	-34.26	-13.00	-21.26	H
5647.15	-35.09	13.10	17.11	-39.10	-13.00	-26.10	H
7529.85	-32.80	11.50	22.20	-43.50	-13.00	-30.50	H
3765.03	-35.60	12.60	12.93	-35.93	-13.00	-22.93	V
5647.15	-34.09	13.10	17.11	-38.10	-13.00	-25.10	V
7529.85	-32.98	11.50	22.20	-43.68	-13.00	-30.68	V
LTE Band 25 / 10MHz / QPSK / RB Size 1 Offset 0/ The Worst Test Results for Highest							
Frequency(MHz)	S G.Lev (dBm)	Ant(dBi)	Loss	PMea	Limit	Margin	Polarity
				(dBm)	(dBm)	(dBm)	
3820.21	-34.33	12.60	12.93	-34.66	-13.00	-21.66	H
5729.71	-34.58	13.10	17.11	-38.59	-13.00	-25.59	H
7640.20	-32.83	11.50	22.20	-43.53	-13.00	-30.53	H
3820.21	-34.80	12.60	12.93	-35.13	-13.00	-22.13	V
5729.71	-33.90	13.10	17.11	-37.91	-13.00	-24.91	V
7640.20	-31.92	11.50	22.20	-42.62	-13.00	-29.62	V



LTE Band 25 / 15MHz / QPSK / RB Size 1 Offset 0/ The Worst Test Results for Lowest							
Frequency(MHz)	S G.Lev (dBm)	Ant(dBi)	Loss	PMea	Limit	Margin	Polarity
				(dBm)	(dBm)	(dBm)	
3714.81	-34.52	12.60	12.93	-34.85	-13.00	-21.85	H
5572.32	-35.22	13.10	17.11	-39.23	-13.00	-26.23	H
7430.43	-33.64	11.50	22.20	-44.34	-13.00	-31.34	H
3714.81	-34.64	12.60	12.93	-34.97	-13.00	-21.97	V
5572.32	-34.60	13.10	17.11	-38.61	-13.00	-25.61	V
7430.43	-31.90	11.50	22.20	-42.60	-13.00	-29.60	V
LTE Band 25 / 15MHz / QPSK / RB Size 1 Offset 0/ The Worst Test Results for Middle							
Frequency(MHz)	S G.Lev (dBm)	Ant(dBi)	Loss	PMea	Limit	Margin	Polarity
				(dBm)	(dBm)	(dBm)	
3764.85	-34.74	12.60	12.93	-35.07	-13.00	-22.07	H
5647.18	-34.85	13.10	17.11	-38.86	-13.00	-25.86	H
7430.03	-32.99	11.50	22.20	-43.69	-13.00	-30.69	H
3764.85	-35.64	12.60	12.93	-35.97	-13.00	-22.97	V
5647.18	-34.99	13.10	17.11	-39.00	-13.00	-26.00	V
7430.03	-32.80	11.50	22.20	-43.50	-13.00	-30.50	V
LTE Band 25 / 15MHz / QPSK / RB Size 1 Offset 0/ The Worst Test Results for Highest							
Frequency(MHz)	S G.Lev (dBm)	Ant(dBi)	Loss	PMea	Limit	Margin	Polarity
				(dBm)	(dBm)	(dBm)	
3815.43	-34.06	12.60	12.93	-34.39	-13.00	-21.39	H
5722.26	-34.13	13.10	17.11	-38.14	-13.00	-25.14	H
7630.38	-32.63	11.50	22.20	-43.33	-13.00	-30.33	H
3815.43	-35.90	12.60	12.93	-36.23	-13.00	-23.23	V
5722.26	-34.00	13.10	17.11	-38.01	-13.00	-25.01	V
7630.38	-32.26	11.50	22.20	-42.96	-13.00	-29.96	V



LTE Band 25 / 20MHz / QPSK / RB Size 1 Offset 0/ The Worst Test Results for Lowest							
Frequency(MHz)	S G.Lev (dBm)	Ant(dBi)	Loss	PMea	Limit	Margin	Polarity
				(dBm)	(dBm)	(dBm)	
3720.17	-34.33	12.60	12.93	-34.66	-13.00	-21.66	H
5580.52	-35.37	13.10	17.11	-39.38	-13.00	-26.38	H
7439.74	-32.49	11.50	22.20	-43.19	-13.00	-30.19	H
3720.17	-35.34	12.60	12.93	-35.67	-13.00	-22.67	V
5580.52	-34.07	13.10	17.11	-38.08	-13.00	-25.08	V
7439.74	-31.78	11.50	22.20	-42.48	-13.00	-29.48	V
LTE Band 25 / 20MHz / QPSK / RB Size 1 Offset 0/ The Worst Test Results for Middle							
Frequency(MHz)	S G.Lev (dBm)	Ant(dBi)	Loss	PMea	Limit	Margin	Polarity
				(dBm)	(dBm)	(dBm)	
3765.09	-33.65	12.60	12.93	-33.98	-13.00	-20.98	H
5646.93	-35.23	13.10	17.11	-39.24	-13.00	-26.24	H
7530.18	-33.04	11.50	22.20	-43.74	-13.00	-30.74	H
3765.09	-34.89	12.60	12.93	-35.22	-13.00	-22.22	V
5646.93	-34.64	13.10	17.11	-38.65	-13.00	-25.65	V
7530.18	-32.85	11.50	22.20	-43.55	-13.00	-30.55	V
LTE Band 25 / 20MHz / QPSK / RB Size 1 Offset 0/ The Worst Test Results for Highest							
Frequency(MHz)	S G.Lev (dBm)	Ant(dBi)	Loss	PMea	Limit	Margin	Polarity
				(dBm)	(dBm)	(dBm)	
3810.40	-33.58	12.60	12.93	-33.91	-13.00	-20.91	H
5715.54	-34.43	13.10	17.11	-38.44	-13.00	-25.44	H
7620.07	-32.70	11.50	22.20	-43.40	-13.00	-30.40	H
3810.40	-35.11	12.60	12.93	-35.44	-13.00	-22.44	V
5715.54	-34.91	13.10	17.11	-38.92	-13.00	-25.92	V
7620.07	-32.14	11.50	22.20	-42.84	-13.00	-29.84	V



LTE Band 26(Part 22) / 1.4MHz / QPSK / RB Size 1 Offset 0/ The Worst Test Results for Lowest							
Frequency(MHz)	S G.Lev (dBm)	Ant(dBi)	Loss	PMea	Limit	Margin	Polarity
				(dBm)	(dBm)	(dBm)	
1649.17	-34.54	9.56	9.72	-34.70	-13.00	-21.70	H
2473.60	-34.64	10.50	10.86	-35.00	-13.00	-22.00	H
3298.72	-32.46	12.78	11.57	-31.25	-13.00	-18.25	H
1649.17	-35.28	9.56	9.72	-35.44	-13.00	-22.44	V
2473.60	-34.79	10.50	10.86	-35.15	-13.00	-22.15	V
3298.72	-31.92	12.78	11.57	-30.71	-13.00	-17.71	V
LTE Band 26(Part 22) / 1.4MHz / QPSK / RB Size 1 Offset 0/ The Worst Test Results for Middle							
Frequency(MHz)	S G.Lev (dBm)	Ant(dBi)	Loss	PMea	Limit	Margin	Polarity
				(dBm)	(dBm)	(dBm)	
1672.86	-33.75	9.56	9.72	-33.91	-13.00	-20.91	H
2509.02	-35.26	10.50	10.86	-35.62	-13.00	-22.62	H
3346.02	-33.38	12.78	11.57	-32.17	-13.00	-19.17	H
1672.86	-35.72	9.56	9.72	-35.88	-13.00	-22.88	V
2509.02	-34.86	10.50	10.86	-35.22	-13.00	-22.22	V
3346.02	-31.85	12.78	11.57	-30.64	-13.00	-17.64	V
LTE Band 26(Part 22) / 1.4MHz / QPSK / RB Size 1 Offset 0/ The Worst Test Results for Highest							
Frequency(MHz)	S G.Lev (dBm)	Ant(dBi)	Loss	PMea	Limit	Margin	Polarity
				(dBm)	(dBm)	(dBm)	
1696.59	-33.68	9.56	9.72	-33.84	-13.00	-20.84	H
2544.85	-34.68	10.50	10.86	-35.04	-13.00	-22.04	H
3392.96	-32.80	12.78	11.57	-31.59	-13.00	-18.59	H
1696.59	-35.48	9.56	9.72	-35.64	-13.00	-22.64	V
2544.85	-34.82	10.50	10.86	-35.18	-13.00	-22.18	V
3392.96	-32.88	12.78	11.57	-31.67	-13.00	-18.67	V



LTE Band 26(Part 22) / 3MHz / QPSK / RB Size 1 Offset 0/ The Worst Test Results for Lowest							
Frequency(MHz)	S G.Lev (dBm)	Ant(dBi)	Loss	PMea	Limit	Margin	Polarity
				(dBm)	(dBm)	(dBm)	
1651.48	-33.52	9.56	9.72	-33.68	-13.00	-20.68	H
2476.35	-34.78	10.50	10.86	-35.14	-13.00	-22.14	H
3301.79	-33.33	12.78	11.57	-32.12	-13.00	-19.12	H
1651.48	-34.88	9.56	9.72	-35.04	-13.00	-22.04	V
2476.35	-34.19	10.50	10.86	-34.55	-13.00	-21.55	V
3301.79	-32.29	12.78	11.57	-31.08	-13.00	-18.08	V
LTE Band 26(Part 22) / 3MHz / QPSK / RB Size 1 Offset 0/ The Worst Test Results for Middle							
Frequency(MHz)	S G.Lev (dBm)	Ant(dBi)	Loss	PMea	Limit	Margin	Polarity
				(dBm)	(dBm)	(dBm)	
1672.94	-34.90	9.56	9.72	-35.06	-13.00	-22.06	H
2509.05	-34.17	10.50	10.86	-34.53	-13.00	-21.53	H
3346.13	-32.91	12.78	11.57	-31.70	-13.00	-18.70	H
1672.94	-35.48	9.56	9.72	-35.64	-13.00	-22.64	V
2509.05	-34.81	10.50	10.86	-35.17	-13.00	-22.17	V
3346.13	-32.95	12.78	11.57	-31.74	-13.00	-18.74	V
LTE Band 26(Part 22) / 3MHz / QPSK / RB Size 1 Offset 0/ The Worst Test Results for Highest							
Frequency(MHz)	S G.Lev (dBm)	Ant(dBi)	Loss	PMea	Limit	Margin	Polarity
				(dBm)	(dBm)	(dBm)	
1695.48	-33.69	9.56	9.72	-33.85	-13.00	-20.85	H
2542.08	-35.48	10.50	10.86	-35.84	-13.00	-22.84	H
3390.02	-33.08	12.78	11.57	-31.87	-13.00	-18.87	H
1695.48	-34.73	9.56	9.72	-34.89	-13.00	-21.89	V
2542.08	-34.95	10.50	10.86	-35.31	-13.00	-22.31	V
3390.02	-32.95	12.78	11.57	-31.74	-13.00	-18.74	V



LTE Band 26(Part 22) / 5MHz / QPSK / RB Size 1 Offset 0/ The Worst Test Results for Lowest							
Frequency(MHz)	S G.Lev (dBm)	Ant(dBi)	Loss	PMea	Limit	Margin	Polarity
				(dBm)	(dBm)	(dBm)	
1652.93	-34.48	9.56	9.72	-34.64	-13.00	-21.64	H
2479.42	-34.22	10.50	10.86	-34.58	-13.00	-21.58	H
3306.59	-32.19	12.78	11.57	-30.98	-13.00	-17.98	H
1652.93	-34.84	9.56	9.72	-35.00	-13.00	-22.00	V
2479.42	-33.84	10.50	10.86	-34.20	-13.00	-21.20	V
3306.59	-32.00	12.78	11.57	-30.79	-13.00	-17.79	V
LTE Band 26(Part 22) / 5MHz / QPSK / RB Size 1 Offset 0/ The Worst Test Results for Middle							
Frequency(MHz)	S G.Lev (dBm)	Ant(dBi)	Loss	PMea	Limit	Margin	Polarity
				(dBm)	(dBm)	(dBm)	
1672.94	-33.50	9.56	9.72	-33.66	-13.00	-20.66	H
2509.07	-35.31	10.50	10.86	-35.67	-13.00	-22.67	H
3346.11	-32.82	12.78	11.57	-31.61	-13.00	-18.61	H
1672.94	-35.12	9.56	9.72	-35.28	-13.00	-22.28	V
2509.07	-34.79	10.50	10.86	-35.15	-13.00	-22.15	V
3346.11	-32.88	12.78	11.57	-31.67	-13.00	-18.67	V
LTE Band 26(Part 22) / 5MHz / QPSK / RB Size 1 Offset 0/ The Worst Test Results for Highest							
Frequency(MHz)	S G.Lev (dBm)	Ant(dBi)	Loss	PMea	Limit	Margin	Polarity
				(dBm)	(dBm)	(dBm)	
1693.60	-33.65	9.56	9.72	-33.81	-13.00	-20.81	H
2539.37	-34.08	10.50	10.86	-34.44	-13.00	-21.44	H
3386.25	-32.30	12.78	11.57	-31.09	-13.00	-18.09	H
1693.60	-35.75	9.56	9.72	-35.91	-13.00	-22.91	V
2539.37	-34.98	10.50	10.86	-35.34	-13.00	-22.34	V
3386.25	-33.14	12.78	11.57	-31.93	-13.00	-18.93	V



LTE Band 26(Part 22) / 10MHz / QPSK / RB Size 1 Offset 0/ The Worst Test Results for Lowest							
Frequency(MHz)	S G.Lev (dBm)	Ant(dBi)	Loss	PMea	Limit	Margin	Polarity
				(dBm)	(dBm)	(dBm)	
1658.05	-34.51	9.56	9.72	-34.67	-13.00	-21.67	H
2486.41	-34.29	10.50	10.86	-34.65	-13.00	-21.65	H
3315.61	-32.89	12.78	11.57	-31.68	-13.00	-18.68	H
1658.05	-35.45	9.56	9.72	-35.61	-13.00	-22.61	V
2486.41	-34.77	10.50	10.86	-35.13	-13.00	-22.13	V
3315.61	-32.93	12.78	11.57	-31.72	-13.00	-18.72	V
LTE Band 26(Part 22) / 10MHz / QPSK / RB Size 1 Offset 0/ The Worst Test Results for Middle							
Frequency(MHz)	S G.Lev (dBm)	Ant(dBi)	Loss	PMea	Limit	Margin	Polarity
				(dBm)	(dBm)	(dBm)	
1673.20	-34.43	9.56	9.72	-34.59	-13.00	-21.59	H
2508.89	-34.24	10.50	10.86	-34.60	-13.00	-21.60	H
3346.29	-32.59	12.78	11.57	-31.38	-13.00	-18.38	H
1673.20	-35.92	9.56	9.72	-36.08	-13.00	-23.08	V
2508.89	-34.92	10.50	10.86	-35.28	-13.00	-22.28	V
3346.29	-31.82	12.78	11.57	-30.61	-13.00	-17.61	V
LTE Band 26(Part 22) / 10MHz / QPSK / RB Size 1 Offset 0/ The Worst Test Results for Highest							
Frequency(MHz)	S G.Lev (dBm)	Ant(dBi)	Loss	PMea	Limit	Margin	Polarity
				(dBm)	(dBm)	(dBm)	
1688.66	-34.89	9.56	9.72	-35.05	-13.00	-22.05	H
2532.50	-34.59	10.50	10.86	-34.95	-13.00	-21.95	H
3376.28	-33.48	12.78	11.57	-32.27	-13.00	-19.27	H
1688.66	-35.57	9.56	9.72	-35.73	-13.00	-22.73	V
2532.50	-34.36	10.50	10.86	-34.72	-13.00	-21.72	V
3376.28	-32.08	12.78	11.57	-30.87	-13.00	-17.87	V



LTE Band 26(Part 22) / 15MHz / QPSK / RB Size 1 Offset 0/ The Worst Test Results for Lowest							
Frequency(MHz)	S G.Lev (dBm)	Ant(dBi)	Loss	PMea	Limit	Margin	Polarity
				(dBm)	(dBm)	(dBm)	
1663.12	-34.45	9.56	9.72	-34.61	-13.00	-21.61	H
2494.22	-34.06	10.50	10.86	-34.42	-13.00	-21.42	H
3325.77	-33.16	12.78	11.57	-31.95	-13.00	-18.95	H
1663.12	-35.11	9.56	9.72	-35.27	-13.00	-22.27	V
2494.22	-34.45	10.50	10.86	-34.81	-13.00	-21.81	V
3325.77	-32.21	12.78	11.57	-31.00	-13.00	-18.00	V
LTE Band 26(Part 22) / 5MHz / QPSK / RB Size 1 Offset 0/ The Worst Test Results for Middle							
Frequency(MHz)	S G.Lev (dBm)	Ant(dBi)	Loss	PMea	Limit	Margin	Polarity
				(dBm)	(dBm)	(dBm)	
1673.25	-33.48	9.56	9.72	-33.64	-13.00	-20.64	H
2508.97	-34.96	10.50	10.86	-35.32	-13.00	-22.32	H
3346.23	-33.09	12.78	11.57	-31.88	-13.00	-18.88	H
1673.25	-35.93	9.56	9.72	-36.09	-13.00	-23.09	V
2508.97	-33.96	10.50	10.86	-34.32	-13.00	-21.32	V
3346.23	-32.73	12.78	11.57	-31.52	-13.00	-18.52	V
LTE Band 26(Part 22) / 5MHz / QPSK / RB Size 1 Offset 0/ The Worst Test Results for Highest							
Frequency(MHz)	S G.Lev (dBm)	Ant(dBi)	Loss	PMea	Limit	Margin	Polarity
				(dBm)	(dBm)	(dBm)	
1683.57	-34.83	9.56	9.72	-34.99	-13.00	-21.99	H
2524.12	-34.99	10.50	10.86	-35.35	-13.00	-22.35	H
3366.53	-33.34	12.78	11.57	-32.13	-13.00	-19.13	H
1683.57	-34.52	9.56	9.72	-34.68	-13.00	-21.68	V
2524.12	-34.23	10.50	10.86	-34.59	-13.00	-21.59	V
3366.53	-32.15	12.78	11.57	-30.94	-13.00	-17.94	V



LTE Band 26(Part 90) / 1.4MHz / QPSK / RB Size 1 Offset 0/ The Worst Test Results for Lowest							
Frequency(MHz)	S G.Lev (dBm)	Ant(dBi)	Loss	PMea	Limit	Margin	Polarity
				(dBm)	(dBm)	(dBm)	
1629.21	-34.65	9.56	9.72	-34.81	-13.00	-21.81	H
2443.91	-34.66	10.50	10.86	-35.02	-13.00	-22.02	H
3258.57	-33.02	12.78	11.57	-31.81	-13.00	-18.81	H
1629.21	-35.04	9.56	9.72	-35.20	-13.00	-22.20	V
2443.91	-34.85	10.50	10.86	-35.21	-13.00	-22.21	V
3258.57	-32.06	12.78	11.57	-30.85	-13.00	-17.85	V
LTE Band 26(Part 90) / 1.4MHz / QPSK / RB Size 1 Offset 0/ The Worst Test Results for Middle							
Frequency(MHz)	S G.Lev (dBm)	Ant(dBi)	Loss	PMea	Limit	Margin	Polarity
				(dBm)	(dBm)	(dBm)	
1637.85	-34.18	9.56	9.72	-34.34	-13.00	-21.34	H
2456.88	-35.48	10.50	10.86	-35.84	-13.00	-22.84	H
3276.05	-32.71	12.78	11.57	-31.50	-13.00	-18.50	H
1637.85	-34.69	9.56	9.72	-34.85	-13.00	-21.85	V
2456.88	-34.61	10.50	10.86	-34.97	-13.00	-21.97	V
3276.05	-32.21	12.78	11.57	-31.00	-13.00	-18.00	V
LTE Band 26(Part 90) / 1.4MHz / QPSK / RB Size 1 Offset 0/ The Worst Test Results for Highest							
Frequency(MHz)	S G.Lev (dBm)	Ant(dBi)	Loss	PMea	Limit	Margin	Polarity
				(dBm)	(dBm)	(dBm)	
1646.66	-33.68	9.56	9.72	-33.84	-13.00	-20.84	H
2456.66	-35.37	10.50	10.86	-35.73	-13.00	-22.73	H
3258.20	-33.23	12.78	11.57	-32.02	-13.00	-19.02	H
1646.66	-35.88	9.56	9.72	-36.04	-13.00	-23.04	V
2456.66	-34.91	10.50	10.86	-35.27	-13.00	-22.27	V
3258.20	-32.93	12.78	11.57	-31.72	-13.00	-18.72	V



LTE Band 26(Part 90) / 3MHz / QPSK / RB Size 1 Offset 0/ The Worst Test Results for Lowest							
Frequency(MHz)	S G.Lev (dBm)	Ant(dBi)	Loss	PMea	Limit	Margin	Polarity
				(dBm)	(dBm)	(dBm)	
1631.15	-34.30	9.56	9.72	-34.46	-13.00	-21.46	H
2446.21	-34.92	10.50	10.86	-35.28	-13.00	-22.28	H
3261.93	-32.78	12.78	11.57	-31.57	-13.00	-18.57	H
1631.15	-35.07	9.56	9.72	-35.23	-13.00	-22.23	V
2446.21	-33.85	10.50	10.86	-34.21	-13.00	-21.21	V
3261.93	-32.92	12.78	11.57	-31.71	-13.00	-18.71	V
LTE Band 26(Part 90) / 3MHz / QPSK / RB Size 1 Offset 0/ The Worst Test Results for Middle							
Frequency(MHz)	S G.Lev (dBm)	Ant(dBi)	Loss	PMea	Limit	Margin	Polarity
				(dBm)	(dBm)	(dBm)	
1637.83	-34.59	9.56	9.72	-34.75	-13.00	-21.75	H
2456.88	-35.18	10.50	10.86	-35.54	-13.00	-22.54	H
3275.97	-32.41	12.78	11.57	-31.20	-13.00	-18.20	H
1637.83	-35.33	9.56	9.72	-35.49	-13.00	-22.49	V
2456.88	-34.29	10.50	10.86	-34.65	-13.00	-21.65	V
3275.97	-32.16	12.78	11.57	-30.95	-13.00	-17.95	V
LTE Band 26(Part 90) / 3MHz / QPSK / RB Size 1 Offset 0/ The Worst Test Results for Highest							
Frequency(MHz)	S G.Lev (dBm)	Ant(dBi)	Loss	PMea	Limit	Margin	Polarity
				(dBm)	(dBm)	(dBm)	
1644.79	-33.88	9.56	9.72	-34.04	-13.00	-21.04	H
2467.33	-35.01	10.50	10.86	-35.37	-13.00	-22.37	H
3276.27	-33.04	12.78	11.57	-31.83	-13.00	-18.83	H
1644.79	-35.29	9.56	9.72	-35.45	-13.00	-22.45	V
2467.33	-34.26	10.50	10.86	-34.62	-13.00	-21.62	V
3276.27	-32.60	12.78	11.57	-31.39	-13.00	-18.39	V



LTE Band 26(Part 90) / 5MHz / QPSK / RB Size 1 Offset 0/ The Worst Test Results for Lowest							
Frequency(MHz)	S G.Lev (dBm)	Ant(dBi)	Loss	PMea	Limit	Margin	Polarity
				(dBm)	(dBm)	(dBm)	
1632.84	-34.68	9.56	9.72	-34.84	-13.00	-21.84	H
2449.24	-35.01	10.50	10.86	-35.37	-13.00	-22.37	H
3266.62	-32.76	12.78	11.57	-31.55	-13.00	-18.55	H
1632.84	-35.68	9.56	9.72	-35.84	-13.00	-22.84	V
2449.24	-33.87	10.50	10.86	-34.23	-13.00	-21.23	V
3266.62	-31.99	12.78	11.57	-30.78	-13.00	-17.78	V

LTE Band 26(Part 90) / 5MHz / QPSK / RB Size 1 Offset 0/ The Worst Test Results for Middle							
Frequency(MHz)	S G.Lev (dBm)	Ant(dBi)	Loss	PMea	Limit	Margin	Polarity
				(dBm)	(dBm)	(dBm)	
1637.97	-34.23	9.56	9.72	-34.39	-13.00	-21.39	H
2457.12	-35.27	10.50	10.86	-35.63	-13.00	-22.63	H
3276.15	-32.36	12.78	11.57	-31.15	-13.00	-18.15	H
1637.97	-35.97	9.56	9.72	-36.13	-13.00	-23.13	V
2457.12	-34.63	10.50	10.86	-34.99	-13.00	-21.99	V
3276.15	-33.01	12.78	11.57	-31.80	-13.00	-18.80	V

LTE Band 26(Part 90) / 5MHz / QPSK / RB Size 1 Offset 0/ The Worst Test Results for Highest							
Frequency(MHz)	S G.Lev (dBm)	Ant(dBi)	Loss	PMea	Limit	Margin	Polarity
				(dBm)	(dBm)	(dBm)	
1642.86	-33.73	9.56	9.72	-33.89	-13.00	-20.89	H
2464.42	-35.10	10.50	10.86	-35.46	-13.00	-22.46	H
3286.07	-32.71	12.78	11.57	-31.50	-13.00	-18.50	H
1642.86	-34.98	9.56	9.72	-35.14	-13.00	-22.14	V
2464.42	-34.47	10.50	10.86	-34.83	-13.00	-21.83	V
3286.07	-32.31	12.78	11.57	-31.10	-13.00	-18.10	V

LTE Band 26(Part 90) / 10MHz / QPSK / RB Size 1 Offset 0/ The Worst Test Results for Middle							
Frequency(MHz)	S G.Lev (dBm)	Ant(dBi)	Loss	PMea	Limit	Margin	Polarity
				(dBm)	(dBm)	(dBm)	
1638.05	-34.45	9.56	9.72	-34.61	-13.00	-21.61	H
2456.83	-34.44	10.50	10.86	-34.80	-13.00	-21.80	H
3275.85	-32.23	12.78	11.57	-31.02	-13.00	-18.02	H
1638.05	-35.52	9.56	9.72	-35.68	-13.00	-22.68	V
2456.83	-34.41	10.50	10.86	-34.77	-13.00	-21.77	V
3275.85	-31.95	12.78	11.57	-30.74	-13.00	-17.74	V



LTE Band 41 / 5MHz / QPSK / RB Size 1 Offset 0/ The Worst Test Results for Lowest							
Frequency(MHz)	S G.Lev (dBm)	Ant(dBi)	Loss	PMea	Limit	Margin	Polarity
				(dBm)	(dBm)	(dBm)	
4996.97	-34.15	12.66	15.86	-37.35	-25.00	-12.35	H
7495.85	-34.50	11.46	19.28	-42.32	-25.00	-17.32	H
9994.39	-32.66	12.79	23.19	-43.06	-25.00	-18.06	H
4996.86	-34.58	12.66	15.86	-37.78	-25.00	-12.78	V
7495.92	-35.04	11.46	19.28	-42.86	-25.00	-17.86	V
9994.10	-32.39	12.79	23.19	-42.79	-25.00	-17.79	V
LTE Band 41 / 5MHz / QPSK / RB Size 1 Offset 0/ The Worst Test Results for Middle							
Frequency(MHz)	S G.Lev (dBm)	Ant(dBi)	Loss	PMea	Limit	Margin	Polarity
				(dBm)	(dBm)	(dBm)	
5186.33	-34.72	12.72	15.86	-37.86	-25.00	-12.86	H
7779.26	-34.83	11.46	19.28	-42.65	-25.00	-17.65	H
10372.12	-33.13	12.09	23.19	-44.23	-25.00	-19.23	H
5186.33	-35.30	12.72	15.86	-38.44	-25.00	-13.44	V
7779.26	-34.92	11.46	19.28	-42.74	-25.00	-17.74	V
10372.12	-32.60	12.09	23.19	-43.70	-25.00	-18.70	V
LTE Band 41 / 5MHz / QPSK / RB Size 1 Offset 0/ The Worst Test Results for Highest							
Frequency(MHz)	S G.Lev (dBm)	Ant(dBi)	Loss	PMea	Limit	Margin	Polarity
				(dBm)	(dBm)	(dBm)	
5375.01	-33.89	12.76	15.86	-36.99	-25.00	-11.99	H
8062.43	-35.26	11.45	19.28	-43.09	-25.00	-18.09	H
10750.20	-32.80	12.28	23.19	-43.71	-25.00	-18.71	H
5375.01	-35.51	12.76	15.86	-38.61	-25.00	-13.61	V
8062.43	-34.51	11.45	19.28	-42.34	-25.00	-17.34	V
10750.20	-32.52	12.28	23.19	-43.43	-25.00	-18.43	V



LTE Band 41 / 10MHz / QPSK / RB Size 1 Offset 0/ The Worst Test Results for Lowest							
Frequency(MHz)	S G.Lev (dBm)	Ant(dBi)	Loss	PMea	Limit	Margin	Polarity
				(dBm)	(dBm)	(dBm)	
5002.33	-33.67	12.66	15.86	-36.87	-25.00	-11.87	H
7503.03	-34.66	11.46	19.28	-42.48	-25.00	-17.48	H
10004.28	-32.50	12.79	23.19	-42.90	-25.00	-17.90	H
5002.33	-34.74	12.66	15.86	-37.94	-25.00	-12.94	V
7503.03	-34.78	11.46	19.28	-42.60	-25.00	-17.60	V
10004.28	-31.95	12.79	23.19	-42.35	-25.00	-17.35	V
LTE Band 41 / 10MHz / QPSK / RB Size 1 Offset 0/ The Worst Test Results for Middle							
Frequency(MHz)	S G.Lev (dBm)	Ant(dBi)	Loss	PMea	Limit	Margin	Polarity
				(dBm)	(dBm)	(dBm)	
5186.83	-34.61	12.72	15.86	-37.75	-25.00	-12.75	H
7779.47	-34.05	11.46	19.28	-41.87	-25.00	-16.87	H
10371.16	-32.85	12.09	23.19	-43.95	-25.00	-18.95	H
5186.83	-35.57	12.72	15.86	-38.71	-25.00	-13.71	V
7779.47	-33.86	11.46	19.28	-41.68	-25.00	-16.68	V
10371.16	-31.97	12.09	23.19	-43.07	-25.00	-18.07	V
LTE Band 41 / 10MHz / QPSK / RB Size 1 Offset 0/ The Worst Test Results for Highest							
Frequency(MHz)	S G.Lev (dBm)	Ant(dBi)	Loss	PMea	Limit	Margin	Polarity
				(dBm)	(dBm)	(dBm)	
5370.42	-34.31	12.76	15.86	-37.41	-25.00	-12.41	H
8055.88	-34.83	11.45	19.28	-42.66	-25.00	-17.66	H
10740.14	-33.03	12.28	23.19	-43.94	-25.00	-18.94	H
5370.42	-34.67	12.76	15.86	-37.77	-25.00	-12.77	V
8055.88	-34.75	11.45	19.28	-42.58	-25.00	-17.58	V
10740.14	-32.13	12.28	23.19	-43.04	-25.00	-18.04	V



LTE Band 41 / 15MHz / QPSK / RB Size 1 Offset 0/ The Worst Test Results for Lowest							
Frequency(MHz)	S G.Lev (dBm)	Ant(dBi)	Loss	PMea	Limit	Margin	Polarity
				(dBm)	(dBm)	(dBm)	
5006.80	-34.84	12.66	15.86	-38.04	-25.00	-13.04	H
7510.56	-35.41	11.46	19.28	-43.23	-25.00	-18.23	H
10014.68	-33.02	12.79	23.19	-43.42	-25.00	-18.42	H
5006.80	-34.60	12.66	15.86	-37.80	-25.00	-12.80	V
7510.56	-34.97	11.46	19.28	-42.79	-25.00	-17.79	V
10014.68	-32.24	12.79	23.19	-42.64	-25.00	-17.64	V
LTE Band 41 / 15MHz / QPSK / RB Size 1 Offset 0/ The Worst Test Results for Middle							
Frequency(MHz)	S G.Lev (dBm)	Ant(dBi)	Loss	PMea	Limit	Margin	Polarity
				(dBm)	(dBm)	(dBm)	
5186.04	-34.71	12.72	15.86	-37.85	-25.00	-12.85	H
7779.06	-34.60	11.46	19.28	-42.42	-25.00	-17.42	H
10372.61	-33.24	12.09	23.19	-44.34	-25.00	-19.34	H
5186.04	-35.89	12.72	15.86	-39.03	-25.00	-14.03	V
7779.06	-33.83	11.46	19.28	-41.65	-25.00	-16.65	V
10372.61	-31.73	12.09	23.19	-42.83	-25.00	-17.83	V
LTE Band 41 / 15MHz / QPSK / RB Size 1 Offset 0/ The Worst Test Results for Highest							
Frequency(MHz)	S G.Lev (dBm)	Ant(dBi)	Loss	PMea	Limit	Margin	Polarity
				(dBm)	(dBm)	(dBm)	
5365.59	-33.88	12.76	15.86	-36.98	-25.00	-11.98	H
8046.88	-34.15	11.45	19.28	-41.98	-25.00	-16.98	H
10730.12	-33.59	12.28	23.19	-44.50	-25.00	-19.50	H
5365.59	-34.69	12.76	15.86	-37.79	-25.00	-12.79	V
8046.88	-34.93	11.45	19.28	-42.76	-25.00	-17.76	V
10730.12	-33.18	12.28	23.19	-44.09	-25.00	-19.09	V



LTE Band 41 / 20MHz / QPSK / RB Size 1 Offset 0/ The Worst Test Results for Lowest							
Frequency(MHz)	S G.Lev (dBm)	Ant(dBi)	Loss	PMea	Limit	Margin	Polarity
				(dBm)	(dBm)	(dBm)	
5012.11	-34.70	12.66	15.86	-37.90	-25.00	-12.90	H
7518.43	-34.04	11.46	19.28	-41.86	-25.00	-16.86	H
10024.23	-32.40	12.79	23.19	-42.80	-25.00	-17.80	H
5012.11	-35.45	12.66	15.86	-38.65	-25.00	-13.65	V
7518.43	-35.16	11.46	19.28	-42.98	-25.00	-17.98	V
10024.23	-32.49	12.79	23.19	-42.89	-25.00	-17.89	V
LTE Band 41 / 20MHz / QPSK / RB Size 1 Offset 0/ The Worst Test Results for Middle							
Frequency(MHz)	S G.Lev (dBm)	Ant(dBi)	Loss	PMea	Limit	Margin	Polarity
				(dBm)	(dBm)	(dBm)	
5186.09	-33.49	12.72	15.86	-36.63	-25.00	-11.63	H
7778.89	-34.18	11.46	19.28	-42.00	-25.00	-17.00	H
10372.13	-33.37	12.09	23.19	-44.47	-25.00	-19.47	H
5186.09	-35.85	12.72	15.86	-38.99	-25.00	-13.99	V
7778.89	-34.16	11.46	19.28	-41.98	-25.00	-16.98	V
10372.13	-33.11	12.09	23.19	-44.21	-25.00	-19.21	V
LTE Band 41 / 20MHz / QPSK / RB Size 1 Offset 0/ The Worst Test Results for Highest							
Frequency(MHz)	S G.Lev (dBm)	Ant(dBi)	Loss	PMea	Limit	Margin	Polarity
				(dBm)	(dBm)	(dBm)	
5359.69	-34.06	12.76	15.86	-37.16	-25.00	-12.16	H
8040.20	-35.13	11.45	19.28	-42.96	-25.00	-17.96	H
10720.32	-32.39	12.28	23.19	-43.30	-25.00	-18.30	H
5359.69	-35.83	12.76	15.86	-38.93	-25.00	-13.93	V
8040.20	-33.78	11.45	19.28	-41.61	-25.00	-16.61	V
10720.32	-32.77	12.28	23.19	-43.68	-25.00	-18.68	V



LTE Band 66 / 1.4MHz / QPSK / RB Size 1 Offset 0/ The Worst Test Results for Lowest							
Frequency(MHz)	S G.Lev (dBm)	Ant(dBi)	Loss	PMea	Limit	Margin	Polarity
				(dBm)	(dBm)	(dBm)	
3421.42	-34.58	12.90	12.56	-34.24	-13.00	-21.24	H
5131.74	-34.59	13.10	16.32	-37.81	-13.00	-24.81	H
6842.66	-32.72	12.33	21.13	-41.52	-13.00	-28.52	H
3421.42	-35.91	12.90	12.56	-35.57	-13.00	-22.57	V
5131.74	-34.57	13.10	16.32	-37.79	-13.00	-24.79	V
6842.66	-31.73	12.33	21.13	-40.53	-13.00	-27.53	V
LTE Band 66 / 1.4MHz / QPSK / RB Size 1 Offset 0/ The Worst Test Results for Middle							
Frequency(MHz)	S G.Lev (dBm)	Ant(dBi)	Loss	PMea	Limit	Margin	Polarity
				(dBm)	(dBm)	(dBm)	
3489.85	-33.62	12.90	12.56	-33.28	-13.00	-20.28	H
5235.14	-34.60	13.10	16.32	-37.82	-13.00	-24.82	H
6980.07	-32.82	12.33	21.13	-41.62	-13.00	-28.62	H
3489.85	-35.39	12.90	12.56	-35.05	-13.00	-22.05	V
5235.14	-34.21	13.10	16.32	-37.43	-13.00	-24.43	V
6980.07	-31.81	12.33	21.13	-40.61	-13.00	-27.61	V
LTE Band 66 / 1.4MHz / QPSK / RB Size 1 Offset 0/ The Worst Test Results for Highest							
Frequency(MHz)	S G.Lev (dBm)	Ant(dBi)	Loss	PMea	Limit	Margin	Polarity
				(dBm)	(dBm)	(dBm)	
3557.75	-34.42	12.90	12.56	-34.08	-13.00	-21.08	H
5336.90	-35.36	13.10	16.32	-38.58	-13.00	-25.58	H
7116.76	-33.42	12.33	21.13	-42.22	-13.00	-29.22	H
3557.75	-35.14	12.90	12.56	-34.80	-13.00	-21.80	V
5336.90	-33.90	13.10	16.32	-37.12	-13.00	-24.12	V
7116.76	-32.68	12.33	21.13	-41.48	-13.00	-28.48	V



LTE Band 66 / 3MHz / QPSK / RB Size 1 Offset 0/ The Worst Test Results for Lowest							
Frequency(MHz)	S G.Lev (dBm)	Ant(dBi)	Loss	PMea	Limit	Margin	Polarity
				(dBm)	(dBm)	(dBm)	
3423.18	-33.84	12.90	12.56	-33.50	-13.00	-20.50	H
5134.11	-34.39	13.10	16.32	-37.61	-13.00	-24.61	H
6845.96	-32.69	12.33	21.13	-41.49	-13.00	-28.49	H
3423.18	-35.02	12.90	12.56	-34.68	-13.00	-21.68	V
5134.11	-33.77	13.10	16.32	-36.99	-13.00	-23.99	V
6845.96	-31.92	12.33	21.13	-40.72	-13.00	-27.72	V
LTE Band 66 / 3MHz / QPSK / RB Size 1 Offset 0/ The Worst Test Results for Middle							
Frequency(MHz)	S G.Lev (dBm)	Ant(dBi)	Loss	PMea	Limit	Margin	Polarity
				(dBm)	(dBm)	(dBm)	
3490.21	-34.40	12.90	12.56	-34.06	-13.00	-21.06	H
5235.25	-34.38	13.10	16.32	-37.60	-13.00	-24.60	H
6980.26	-33.43	12.33	21.13	-42.23	-13.00	-29.23	H
3490.21	-35.74	12.90	12.56	-35.40	-13.00	-22.40	V
5235.25	-33.82	13.10	16.32	-37.04	-13.00	-24.04	V
6980.26	-32.72	12.33	21.13	-41.52	-13.00	-28.52	V
LTE Band 66 / 3MHz / QPSK / RB Size 1 Offset 0/ The Worst Test Results for Highest							
Frequency(MHz)	S G.Lev (dBm)	Ant(dBi)	Loss	PMea	Limit	Margin	Polarity
				(dBm)	(dBm)	(dBm)	
3557.10	-34.73	12.90	12.56	-34.39	-13.00	-21.39	H
5262.43	-34.73	13.10	16.32	-37.95	-13.00	-24.95	H
7114.02	-33.09	12.33	21.13	-41.89	-13.00	-28.89	H
3557.10	-35.33	12.90	12.56	-34.99	-13.00	-21.99	V
5262.43	-35.23	13.10	16.32	-38.45	-13.00	-25.45	V
7114.02	-33.13	12.33	21.13	-41.93	-13.00	-28.93	V



LTE Band 66 / 5MHz / QPSK / RB Size 1 Offset 0/ The Worst Test Results for Lowest							
Frequency(MHz)	S G.Lev (dBm)	Ant(dBi)	Loss	PMea	Limit	Margin	Polarity
				(dBm)	(dBm)	(dBm)	
3425.35	-34.51	12.90	12.56	-34.17	-13.00	-21.17	H
5137.08	-35.23	13.10	16.32	-38.45	-13.00	-25.45	H
6850.24	-33.44	12.33	21.13	-42.24	-13.00	-29.24	H
3425.35	-34.72	12.90	12.56	-34.38	-13.00	-21.38	V
5137.08	-34.72	13.10	16.32	-37.94	-13.00	-24.94	V
6850.24	-32.95	12.33	21.13	-41.75	-13.00	-28.75	V
LTE Band 66 / 5MHz / QPSK / RB Size 1 Offset 0/ The Worst Test Results for Middle							
Frequency(MHz)	S G.Lev (dBm)	Ant(dBi)	Loss	PMea	Limit	Margin	Polarity
				(dBm)	(dBm)	(dBm)	
3489.81	-34.41	12.90	12.56	-34.07	-13.00	-21.07	H
5234.80	-35.05	13.10	16.32	-38.27	-13.00	-25.27	H
6979.86	-32.47	12.33	21.13	-41.27	-13.00	-28.27	H
3489.81	-34.73	12.90	12.56	-34.39	-13.00	-21.39	V
5234.80	-33.92	13.10	16.32	-37.14	-13.00	-24.14	V
6979.86	-32.31	12.33	21.13	-41.11	-13.00	-28.11	V
LTE Band 66 / 5MHz / QPSK / RB Size 1 Offset 0/ The Worst Test Results for Highest							
Frequency(MHz)	S G.Lev (dBm)	Ant(dBi)	Loss	PMea	Limit	Margin	Polarity
				(dBm)	(dBm)	(dBm)	
3558.09	-33.96	12.90	12.56	-33.62	-13.00	-20.62	H
52354.17	-35.17	13.10	16.32	-38.39	-13.00	-25.39	H
7110.19	-32.28	12.33	21.13	-41.08	-13.00	-28.08	H
3558.09	-35.69	12.90	12.56	-35.35	-13.00	-22.35	V
52354.17	-33.79	13.10	16.32	-37.01	-13.00	-24.01	V
7110.19	-31.79	12.33	21.13	-40.59	-13.00	-27.59	V



LTE Band 66 / 10MHz / QPSK / RB Size 1 Offset 0/ The Worst Test Results for Lowest							
Frequency(MHz)	S G.Lev (dBm)	Ant(dBi)	Loss	PMea	Limit	Margin	Polarity
				(dBm)	(dBm)	(dBm)	
3430.01	-33.70	12.90	12.56	-33.36	-13.00	-20.36	H
5144.80	-34.97	13.10	16.32	-38.19	-13.00	-25.19	H
6880.13	-32.79	12.33	21.13	-41.59	-13.00	-28.59	H
3430.01	-35.06	12.90	12.56	-34.72	-13.00	-21.72	V
5144.80	-34.63	13.10	16.32	-37.85	-13.00	-24.85	V
6880.13	-32.05	12.33	21.13	-40.85	-13.00	-27.85	V
LTE Band 66 / 10MHz / QPSK / RB Size 1 Offset 0/ The Worst Test Results for Middle							
Frequency(MHz)	S G.Lev (dBm)	Ant(dBi)	Loss	PMea	Limit	Margin	Polarity
				(dBm)	(dBm)	(dBm)	
3490.14	-34.38	12.90	12.56	-34.04	-13.00	-21.04	H
5234.97	-35.32	13.10	16.32	-38.54	-13.00	-25.54	H
6980.25	-33.38	12.33	21.13	-42.18	-13.00	-29.18	H
3490.14	-35.78	12.90	12.56	-35.44	-13.00	-22.44	V
5234.97	-34.16	13.10	16.32	-37.38	-13.00	-24.38	V
6980.25	-31.95	12.33	21.13	-40.75	-13.00	-27.75	V
LTE Band 66 / 10MHz / QPSK / RB Size 1 Offset 0/ The Worst Test Results for Highest							
Frequency(MHz)	S G.Lev (dBm)	Ant(dBi)	Loss	PMea	Limit	Margin	Polarity
				(dBm)	(dBm)	(dBm)	
3550.80	-33.50	12.90	12.56	-33.16	-13.00	-20.16	H
5235.51	-34.99	13.10	16.32	-38.21	-13.00	-25.21	H
7099.94	-32.42	12.33	21.13	-41.22	-13.00	-28.22	H
3550.80	-35.45	12.90	12.56	-35.11	-13.00	-22.11	V
5235.51	-34.76	13.10	16.32	-37.98	-13.00	-24.98	V
7099.94	-32.77	12.33	21.13	-41.57	-13.00	-28.57	V



LTE Band 66 / 15MHz / QPSK / RB Size 1 Offset 0/ The Worst Test Results for Lowest							
Frequency(MHz)	S G.Lev (dBm)	Ant(dBi)	Loss	PMea	Limit	Margin	Polarity
				(dBm)	(dBm)	(dBm)	
3434.97	-34.55	12.90	12.56	-34.21	-13.00	-21.21	H
5152.21	-35.14	13.10	16.32	-38.36	-13.00	-25.36	H
6869.89	-33.60	12.33	21.13	-42.40	-13.00	-29.40	H
3434.97	-34.75	12.90	12.56	-34.41	-13.00	-21.41	V
5152.21	-34.62	13.10	16.32	-37.84	-13.00	-24.84	V
6869.89	-32.44	12.33	21.13	-41.24	-13.00	-28.24	V
LTE Band 66 / 15MHz / QPSK / RB Size 1 Offset 0/ The Worst Test Results for Middle							
Frequency(MHz)	S G.Lev (dBm)	Ant(dBi)	Loss	PMea	Limit	Margin	Polarity
				(dBm)	(dBm)	(dBm)	
3490.01	-34.15	12.90	12.56	-33.81	-13.00	-20.81	H
5235.09	-34.13	13.10	16.32	-37.35	-13.00	-24.35	H
6980.19	-32.16	12.33	21.13	-40.96	-13.00	-27.96	H
3490.01	-34.68	12.90	12.56	-34.34	-13.00	-21.34	V
5235.09	-33.83	13.10	16.32	-37.05	-13.00	-24.05	V
6980.19	-32.04	12.33	21.13	-40.84	-13.00	-27.84	V
LTE Band 66 / 15MHz / QPSK / RB Size 1 Offset 0/ The Worst Test Results for Highest							
Frequency(MHz)	S G.Lev (dBm)	Ant(dBi)	Loss	PMea	Limit	Margin	Polarity
				(dBm)	(dBm)	(dBm)	
3545.04	-34.81	12.90	12.56	-34.47	-13.00	-21.47	H
5332.26	-35.46	13.10	16.32	-38.68	-13.00	-25.68	H
7089.87	-33.46	12.33	21.13	-42.26	-13.00	-29.26	H
3545.04	-35.40	12.90	12.56	-35.06	-13.00	-22.06	V
5332.26	-34.15	13.10	16.32	-37.37	-13.00	-24.37	V
7089.87	-31.90	12.33	21.13	-40.70	-13.00	-27.70	V



LTE Band 66 / 20MHz / QPSK / RB Size 1 Offset 0/ The Worst Test Results for Lowest							
Frequency(MHz)	S G.Lev (dBm)	Ant(dBi)	Loss	PMea	Limit	Margin	Polarity
				(dBm)	(dBm)	(dBm)	
3439.95	-34.42	12.90	12.56	-34.08	-13.00	-21.08	H
5160.03	-35.28	13.10	16.32	-38.50	-13.00	-25.50	H
6880.07	-32.47	12.33	21.13	-41.27	-13.00	-28.27	H
3439.95	-35.22	12.90	12.56	-34.88	-13.00	-21.88	V
5160.03	-34.08	13.10	16.32	-37.30	-13.00	-24.30	V
6880.07	-32.99	12.33	21.13	-41.79	-13.00	-28.79	V
LTE Band 66 / 20MHz / QPSK / RB Size 1 Offset 0/ The Worst Test Results for Middle							
Frequency(MHz)	S G.Lev (dBm)	Ant(dBi)	Loss	PMea	Limit	Margin	Polarity
				(dBm)	(dBm)	(dBm)	
3490.01	-34.12	12.90	12.56	-33.78	-13.00	-20.78	H
5235.14	-34.75	13.10	16.32	-37.97	-13.00	-24.97	H
6979.82	-32.88	12.33	21.13	-41.68	-13.00	-28.68	H
3490.01	-35.15	12.90	12.56	-34.81	-13.00	-21.81	V
5235.14	-34.86	13.10	16.32	-38.08	-13.00	-25.08	V
6979.82	-32.03	12.33	21.13	-40.83	-13.00	-27.83	V
LTE Band 66 / 20MHz / QPSK / RB Size 1 Offset 0/ The Worst Test Results for Highest							
Frequency(MHz)	S G.Lev (dBm)	Ant(dBi)	Loss	PMea	Limit	Margin	Polarity
				(dBm)	(dBm)	(dBm)	
3539.87	-34.31	12.90	12.56	-33.97	-13.00	-20.97	H
5310.23	-35.16	13.10	16.32	-38.38	-13.00	-25.38	H
7080.92	-32.88	12.33	21.13	-41.68	-13.00	-28.68	H
3539.87	-35.23	12.90	12.56	-34.89	-13.00	-21.89	V
5310.23	-34.42	13.10	16.32	-37.64	-13.00	-24.64	V
7080.92	-32.55	12.33	21.13	-41.35	-13.00	-28.35	V

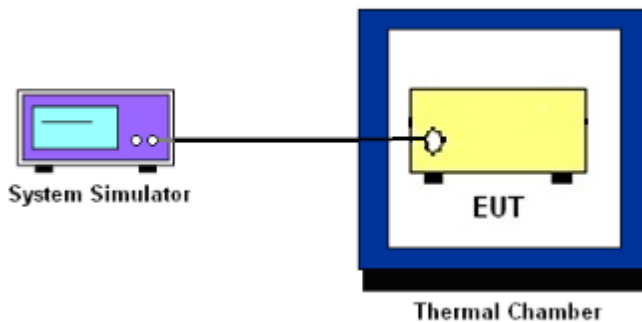
10. FREQUENCY STABILITY

10.1 DESCRIPTION OF FREQUENCY STABILITY MEASUREMENT

10.1.1 MEASUREMENT METHOD

The frequency stability shall be measured by variation of ambient temperature and variation of primary supply voltage to ensure that the fundamental emission stays within the authorized frequency block. The frequency stability of the transmitter shall be maintained within $\pm 0.00025\%$ ($\pm 2.5\text{ppm}$) of the center frequency.

10.1.2 TEST SETUP



10.1.3 TEST PROCEDURES FOR TEMPERATURE VARIATION

1. The EUT was set up in the thermal chamber and connected with the system simulator.
2. With power OFF, the temperature was decreased to -30°C and the EUT was stabilized before testing. Power was applied and the maximum change in frequency was recorded within one minute.
3. With power OFF, the temperature was raised in 10°C step up to 50°C . The EUT was stabilized at each step for at least half an hour. Power was applied and the maximum frequency change was recorded within one minute.

10.1.4 TEST PROCEDURES FOR VOLTAGE VARIATION

1. The testing follows FCC KDB 971168 D01v01r03 Section 9.
2. The EUT was placed in a temperature chamber at $25\pm 5^{\circ}\text{C}$ and connected with the system simulator.
3. The power supply voltage to the EUT was varied from 85% to 115% of the nominal value measured at the input to the EUT.
4. The variation in frequency was measured for the worst case.



10.1.5 TEST RESULTS

LTE Band 2 (QPSK) / 1880MHz / BW10M					
Temperature (°C)	Voltage	Freq. Dev.	Freq. Dev.	Limit	Result
	(Volt)	(Hz)	(ppm)		
50	Normal Voltage	35.82	0.019	2.5ppm	PASS
40		17.68	0.009		
30		11.67	0.006		
20		27.86	0.015		
10		27.68	0.015		
0		28.53	0.015		
-10		14.31	0.008		
-20		13.98	0.007		
-30		26.01	0.014		
20	Maximum Voltage	35.27	0.019		
20	BEP	18.21	0.010		

LTE Band 2 (QPSK) / 1880MHz / BW20M					
Temperature (°C)	Voltage	Freq. Dev.	Freq. Dev.	Limit	Result
	(Volt)	(Hz)	(ppm)		
50	Normal Voltage	20.81	0.011	2.5ppm	PASS
40		25.61	0.014		
30		17.61	0.009		
20		31.72	0.017		
10		25.96	0.014		
0		31.06	0.017		
-10		28.74	0.015		
-20		27.46	0.015		
-30		32.97	0.018		
20	Maximum Voltage	34.90	0.019		
20	BEP	28.06	0.015		



LTE Band 4 (QPSK) / 1733MHz / BW10M					
Temperature (°C)	Voltage	Freq. Dev.	Freq. Dev.	Limit	Result
	(Volt)	(Hz)	(ppm)		
50	Normal Voltage	21.31	0.012	2.5ppm	PASS
40		24.75	0.014		
30		35.87	0.021		
20		32.38	0.019		
10		22.60	0.013		
0		20.68	0.012		
-10		28.40	0.016		
-20		36.14	0.021		
-30		16.53	0.010		
20		Maximum Voltage	27.14		
20	BEP	23.93	0.014		

LTE Band 4 (QPSK) / 1733MHz / BW20M					
Temperature (°C)	Voltage	Freq. Dev.	Freq. Dev.	Limit	Result
	(Volt)	(Hz)	(ppm)		
50	Normal Voltage	29.43	0.017	2.5ppm	PASS
40		36.34	0.021		
30		25.06	0.014		
20		21.45	0.012		
10		31.46	0.018		
0		15.18	0.009		
-10		17.68	0.010		
-20		12.38	0.007		
-30		32.17	0.019		
20		Maximum Voltage	35.54		
20	BEP	16.80	0.010		



LTE Band 5 (QPSK) / 836.5MHz / BW5M					
Temperature (°C)	Voltage	Freq. Dev.	Freq. Dev.	Limit	Result
	(Volt)	(Hz)	(ppm)		
50	Normal Voltage	34.19	0.048	2.5ppm	PASS
40		31.55	0.044		
30		31.01	0.044		
20		30.78	0.043		
10		36.24	0.051		
0		13.25	0.019		
-10		17.05	0.002		
-20		30.92	0.044		
-30		31.85	0.045		
20		Maximum Voltage	23.59		
20	BEP	27.47	0.039		

LTE Band 5 (QPSK) / 836.5MHz / BW10M					
Temperature (°C)	Voltage	Freq. Dev.	Freq. Dev.	Limit	Result
	(Volt)	(Hz)	(ppm)		
50	Normal Voltage	35.70	0.050	2.5ppm	PASS
40		19.31	0.027		
30		24.55	0.035		
20		33.69	0.047		
10		21.59	0.030		
0		24.01	0.034		
-10		18.04	0.003		
-20		28.03	0.039		
-30		26.02	0.037		
20		Maximum Voltage	30.27		
20	BEP	15.30	0.022		



LTE Band 7 (QPSK) / 2535MHz / BW10M					
Temperature (°C)	Voltage	Freq. Dev.	Freq. Dev.	Limit	Result
	(Volt)	(Hz)	(ppm)		
50	Normal Voltage	26.55	0.010	2.5ppm	PASS
40		26.48	0.010		
30		18.11	0.007		
20		24.42	0.010		
10		13.87	0.005		
0		28.53	0.011		
-10		25.43	0.010		
-20		29.43	0.012		
-30		24.97	0.010		
20		Maximum Voltage	11.56		
20	BEP	22.36	0.009		

LTE Band 7 (QPSK) / 2535MHz / BW20M					
Temperature (°C)	Voltage	Freq. Dev.	Freq. Dev.	Limit	Result
	(Volt)	(Hz)	(ppm)		
50	Normal Voltage	22.79	0.009	2.5ppm	PASS
40		35.81	0.014		
30		34.11	0.013		
20		28.58	0.011		
10		36.07	0.014		
0		11.70	0.005		
-10		35.79	0.014		
-20		30.73	0.012		
-30		18.70	0.007		
20		Maximum Voltage	31.67		
20	BEP	19.94	0.008		



LTE Band 12 (QPSK) / 707.5MHz / BW5M					
Temperature (°C)	Voltage	Freq. Dev.	Freq. Dev.	Limit	Result
	(Volt)	(Hz)	(ppm)		
50	Normal Voltage	30.88	0.043	2.5ppm	PASS
40		27.67	0.039		
30		11.63	0.016		
20		13.21	0.019		
10		12.18	0.017		
0		17.03	0.024		
-10		23.25	0.003		
-20		26.13	0.037		
-30		11.86	0.017		
20		Maximum Voltage	28.50		
20	BEP	24.37	0.034		

LTE Band 12 (QPSK) / 707.5MHz / BW10M					
Temperature (°C)	Voltage	Freq. Dev.	Freq. Dev.	Limit	Result
	(Volt)	(Hz)	(ppm)		
50	Normal Voltage	13.83	0.019	2.5ppm	PASS
40		13.52	0.019		
30		30.27	0.043		
20		12.35	0.017		
10		17.40	0.025		
0		15.08	0.021		
-10		30.24	0.004		
-20		16.21	0.023		
-30		16.57	0.023		
20		Maximum Voltage	33.26		
20	BEP	26.07	0.037		



LTE Band 13 (QPSK) / 782MHz / BW5M					
Temperature (°C)	Voltage	Freq. Dev.	Freq. Dev.	Limit	Result
	(Volt)	(Hz)	(ppm)		
50	Normal Voltage	35.08	0.049	2.5ppm	PASS
40		35.37	0.050		
30		23.01	0.032		
20		22.30	0.031		
10		16.24	0.023		
0		25.38	0.036		
-10		31.35	0.004		
-20		18.84	0.027		
-30		25.31	0.036		
20		Maximum Voltage	15.01		
20	BEP	31.78	0.045		

LTE Band 13 (QPSK) / 782MHz / BW10M					
Temperature (°C)	Voltage	Freq. Dev.	Freq. Dev.	Limit	Result
	(Volt)	(Hz)	(ppm)		
50	Normal Voltage	22.94	0.032	2.5ppm	PASS
40		19.47	0.027		
30		22.44	0.032		
20		35.09	0.049		
10		31.57	0.044		
0		29.01	0.041		
-10		28.94	0.004		
-20		27.30	0.038		
-30		29.09	0.041		
20		Maximum Voltage	30.20		
20	BEP	30.71	0.043		



LTE Band 25 (QPSK) / 1882.5MHz / BW10M					
Temperature (°C)	Voltage	Freq. Dev.	Freq. Dev.	Limit	Result
	(Volt)	(Hz)	(ppm)		
50	Normal Voltage	26.48	0.014	2.5ppm	PASS
40		22.63	0.012		
30		12.77	0.007		
20		21.99	0.012		
10		25.18	0.013		
0		28.86	0.015		
-10		30.68	0.016		
-20		21.08	0.011		
-30		34.94	0.019		
20		Maximum Voltage	15.03		
20	BEP	23.19	0.012		

LTE Band 25 (QPSK) / 1882.5MHz / BW20M					
Temperature (°C)	Voltage	Freq. Dev.	Freq. Dev.	Limit	Result
	(Volt)	(Hz)	(ppm)		
50	Normal Voltage	25.36	0.013	2.5ppm	PASS
40		16.27	0.009		
30		34.13	0.018		
20		17.91	0.010		
10		24.93	0.013		
0		22.36	0.012		
-10		34.13	0.018		
-20		17.41	0.009		
-30		29.98	0.016		
20		Maximum Voltage	31.18		
20	BEP	31.79	0.017		



LTE Band 26(Part 22) (QPSK) / 836.5MHz / BW10M					
Temperature (°C)	Voltage	Freq. Dev.	Freq. Dev.	Limit	Result
	(Volt)	(Hz)	(ppm)		
50	Normal Voltage	26.12	0.015	2.5ppm	PASS
40		24.28	0.014		
30		36.24	0.021		
20		29.52	0.017		
10		19.67	0.011		
0		27.70	0.016		
-10		15.67	0.009		
-20		14.25	0.008		
-30		17.47	0.010		
20		Maximum Voltage	31.38		
20	BEP	33.13	0.019		

LTE Band 26(Part 22) (QPSK) / 836.5MHz / BW20M					
Temperature (°C)	Voltage	Freq. Dev.	Freq. Dev.	Limit	Result
	(Volt)	(Hz)	(ppm)		
50	Normal Voltage	30.60	0.018	2.5ppm	PASS
40		26.27	0.015		
30		35.04	0.020		
20		16.65	0.010		
10		35.69	0.021		
0		24.37	0.014		
-10		26.91	0.016		
-20		22.85	0.013		
-30		18.65	0.011		
20		Maximum Voltage	15.47		
20	BEP	19.47	0.011		



LTE Band 26(Part 90) (QPSK) / 819MHz / BW5M					
Temperature (°C)	Voltage	Freq. Dev.	Freq. Dev.	Limit	Result
	(Volt)	(Hz)	(ppm)		
50	Normal Voltage	36.22	0.021	2.5ppm	PASS
40		23.10	0.013		
30		15.94	0.009		
20		14.49	0.008		
10		29.87	0.017		
0		18.87	0.011		
-10		35.63	0.021		
-20		14.85	0.009		
-30		29.80	0.017		
20		Maximum Voltage	12.59		
20	BEP	12.32	0.007		

LTE Band 26(Part 90) (QPSK) / 819MHz / BW10M					
Temperature (°C)	Voltage	Freq. Dev.	Freq. Dev.	Limit	Result
	(Volt)	(Hz)	(ppm)		
50	Normal Voltage	36.05	0.021	2.5ppm	PASS
40		16.91	0.010		
30		15.07	0.009		
20		16.42	0.009		
10		11.98	0.007		
0		25.90	0.015		
-10		18.86	0.011		
-20		34.78	0.020		
-30		15.79	0.009		
20		Maximum Voltage	31.23		
20	BEP	25.43	0.015		



LTE Band 41 (QPSK) / 2593MHz / BW10M					
Temperature (°C)	Voltage	Freq. Dev.	Freq. Dev.	Limit	Result
	(Volt)	(Hz)	(ppm)		
50	Normal Voltage	28.66	0.011	2.5ppm	PASS
40		25.72	0.010		
30		19.76	0.008		
20		15.50	0.006		
10		18.87	0.007		
0		20.31	0.008		
-10		35.46	0.014		
-20		18.62	0.007		
-30		20.24	0.008		
20		Maximum Voltage	32.73		
20	BEP	24.73	0.010		

LTE Band 41 (QPSK) / 2593MHz / BW20M					
Temperature (°C)	Voltage	Freq. Dev.	Freq. Dev.	Limit	Result
	(Volt)	(Hz)	(ppm)		
50	Normal Voltage	16.89	0.007	2.5ppm	PASS
40		23.59	0.009		
30		16.52	0.007		
20		16.10	0.006		
10		23.01	0.009		
0		15.36	0.006		
-10		12.39	0.005		
-20		31.22	0.012		
-30		19.83	0.008		
20		Maximum Voltage	32.51		
20	BEP	36.29	0.014		



LTE Band 66 (QPSK) / 1745MHz / BW10M					
Temperature (°C)	Voltage	Freq. Dev.	Freq. Dev.	Limit	Result
	(Volt)	(Hz)	(ppm)		
50	Normal Voltage	27.09	0.016	2.5ppm	PASS
40		33.20	0.019		
30		12.87	0.007		
20		31.14	0.018		
10		34.92	0.020		
0		18.07	0.010		
-10		35.59	0.021		
-20		15.44	0.009		
-30		27.33	0.016		
20		Maximum Voltage	21.53		
20	BEP	13.88	0.008		

LTE Band 66 (QPSK) / 1745MHz / BW20M					
Temperature (°C)	Voltage	Freq. Dev.	Freq. Dev.	Limit	Result
	(Volt)	(Hz)	(ppm)		
50	Normal Voltage	35.78	0.021	2.5ppm	PASS
40		19.74	0.011		
30		18.11	0.010		
20		30.74	0.018		
10		17.11	0.010		
0		18.66	0.011		
-10		15.17	0.009		
-20		32.34	0.019		
-30		16.51	0.010		
20		Maximum Voltage	34.35		
20	BEP	15.80	0.009		



APPENDIX-PHOTOS OF TEST SETUP

Note: See test photos in setup photo document for the actual connections between Product and support equipment.

※※※※END OF THE REPORT※※※※

