

# Welcome



Lightcloud®

## Low Voltage Controller

LCBAUX/B

**WE'RE HERE TO HELP:**

**1 (844) LIGHTCLOUD**

**1 (844) 544-4825**

# Hello

The Lightcloud Blue Low Voltage Controller is a remotely controlled device used to enable switching and dimming. The Low Voltage Controller converts any standard 0-10V LED fixture to a Lightcloud Blue-enabled fixture which can be configured and controlled using the Lightcloud Blue mobile app.

## Product Features

Wireless Control & Configuration

0-10V Dimming

*Patent Pending*

# Contents

Lightcloud Blue Controller



NPT Nut



(Outside)



(Inside)

Wire Nuts



x 3

## Specifications & Ratings

**PART NUMBER**

LCBAUX/B

**OUTPUT:**

0-10V, 10mA max.

**OPERATION VOLTAGE**

12-36VDC, 0.1A max.

**OPERATING TEMPERATURE:**

Max Temp: -4°F to 113°F (-20°C to 45°C)

**DIMENSIONS:**

1.375" (D) x 1.75" (L)

**MOUNTING HEIGHT**

<39 feet

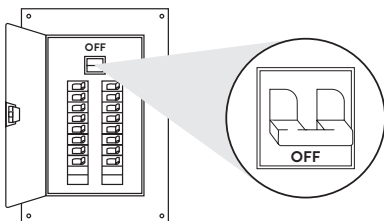
**RATINGS:**

Indoor/IP66 Outdoor

# Setup & Installation

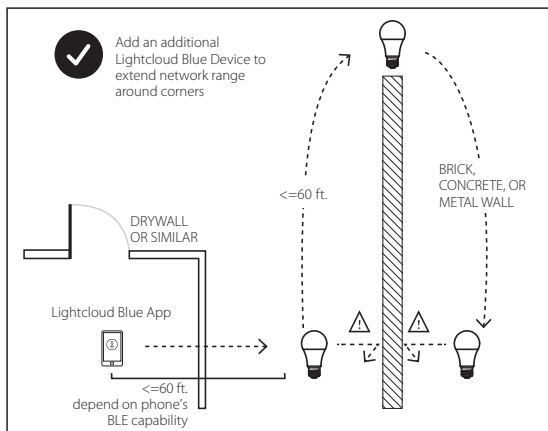
① Turn off power

**⚠ WARNING**



1a Find a suitable location

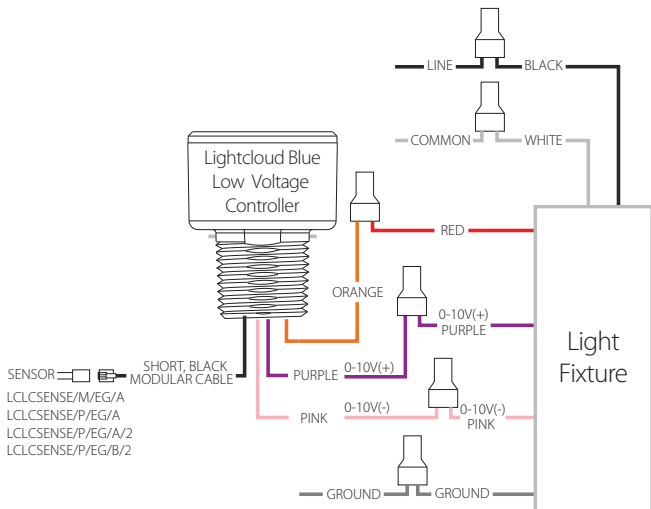
- Lightcloud Blue devices should be positioned within 60 ft. of each other.
- Building materials such as brick, concrete and steel construction may require additional Lightcloud Blue devices to extend around an obstruction.



# Setup & Installation *(cont'd)*

## ② Install the Lightcloud Blue Low Voltage Controller in junction box

The Lightcloud Blue Low Voltage Controller can be mounted into a junction box, with the radio module always outside any metal enclosure. If no sensor is used, then the second modular cable can be tied off and placed inside the fixture or box.



# Setup & Installation *(cont'd)*

## ③ Install luminaire

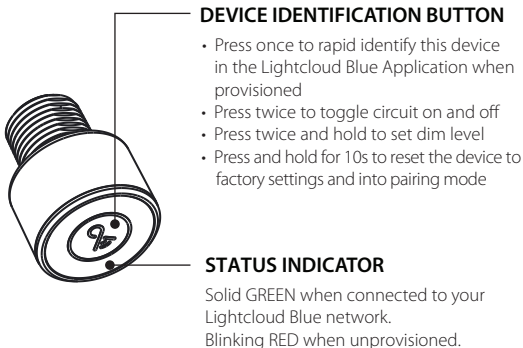
Install the fixture with integrated Lightcloud Blue Low Voltage Controller to a constant power source.

Do not place Lightcloud Blue-controlled fixtures down circuit from any other switching devices such as switches, sensors, or time clocks.

## ④ Turn power on

## ⑤ Verify power and local control

Confirm Status Indicator is blinking red. Confirm local control using the Device Identification Button.



# Setup & Installation *(cont'd)*

## ⑥ Enable Device Pairing Mode

Press and hold for 10s to reset the device to factory settings and into pairing mode.

### 6a Commission

1. Download Lightcloud Blue App from Apple® App store or Google® Play.
2. Tap the '+ Add Devices' button in the Lightcloud Blue App to add the Controller while it is in pairing mode.
3. Use the App to configure settings.

# Functionality

## Configuration

All configuration of Lightcloud Blue products may be performed using the Lightcloud Blue app.

## Emergency default

If communication is lost, the Low Voltage Controller may optionally fall back to a specific state, such as turning the attached luminaire on.

[Warning: Any wires not in use must be capped off or otherwise insulated.]

WE'RE HERE TO HELP:

**1 (844) LIGHTCLOUD**

1 (844) 544-4825

support@lightcloud.com



### FCC Information:

This device complies with Part 15 of the FCC Rules. Operation is subject to the following two conditions: 1. This device may not cause harmful interference, and 2. This device must accept any interference received, including interference that may cause undesired operation.

Note: This device has been tested and found to comply with the limits for Class B digital devices pursuant to Part 15 Subpart B, of the FCC rules. These limits are designed to provide reasonable protection against harmful interference in a residential environment. This equipment generates, uses, and can radiate radio frequency energy, and if not installed and used in accordance with the instruction manual, may cause harmful interference to radio communications. However, there is no guarantee that interference will not occur in a particular installation. If this equipment does cause harmful interference to radio or television reception, which can be determined by turning the equipment off and on, the user is encouraged to try and correct the interference by one or more of the following measures:

- Reorient or relocate the receiving antenna.
- Increase the separation between the equipment and receiver.
- Connect the equipment into an outlet on a circuit different from that to which the receiver is connected.
- Consult the dealer or an experienced radio/TV technician for help.

### FCC Radiation Exposure Statement

This equipment complies with FCC radiation exposure limits set forth for an uncontrolled environment .

This transmitter must not be co-located or operating in conjunction with any other antenna or transmitter.

CAUTION: Changes or modifications to this equipment not expressly approved by RAB Lighting may void the user's authority to operate this equipment.



Lightcloud®

Lightcloud Blue is a Bluetooth mesh wireless lighting control system that allows you to control RAB's various compatible devices. With RAB's patent-pending Rapid Provisioning technology, devices can be quickly and easily commissioned for residential and large commercial applications using the Lightcloud Blue mobile app. Each device in a system can communicate with any other device, eliminating the need for a Gateway or Hub and maximizing the control system's reach.

Learn more at [www.rablighting.com](http://www.rablighting.com)

1 (844) LIGHTCLOUD

1 (844) 544-4825

**RAB**®

©2023 RAB LIGHTING Inc.

Made in China

Pat. [rablighting.com/ip](http://rablighting.com/ip)