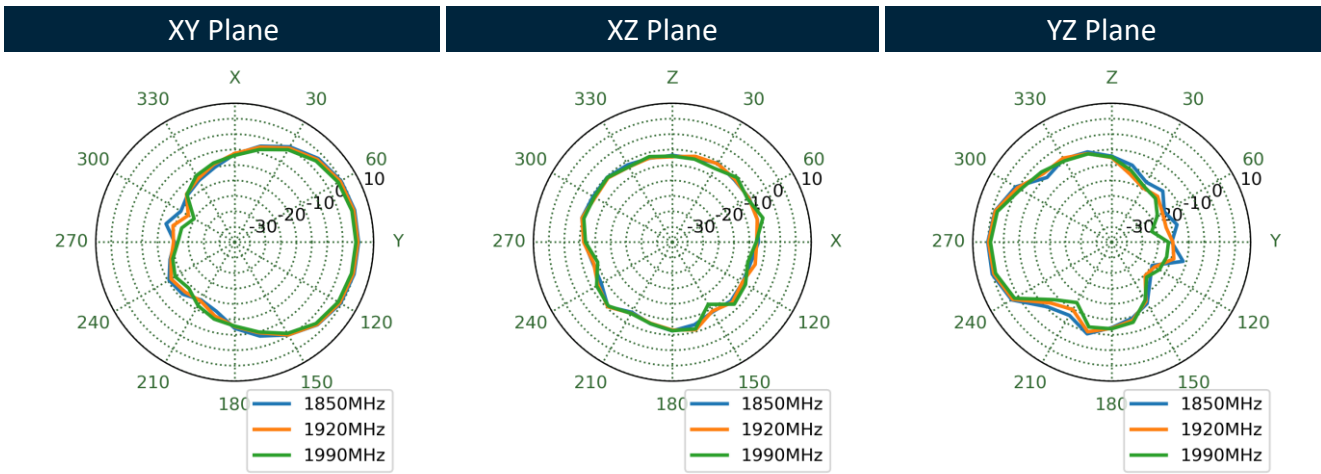
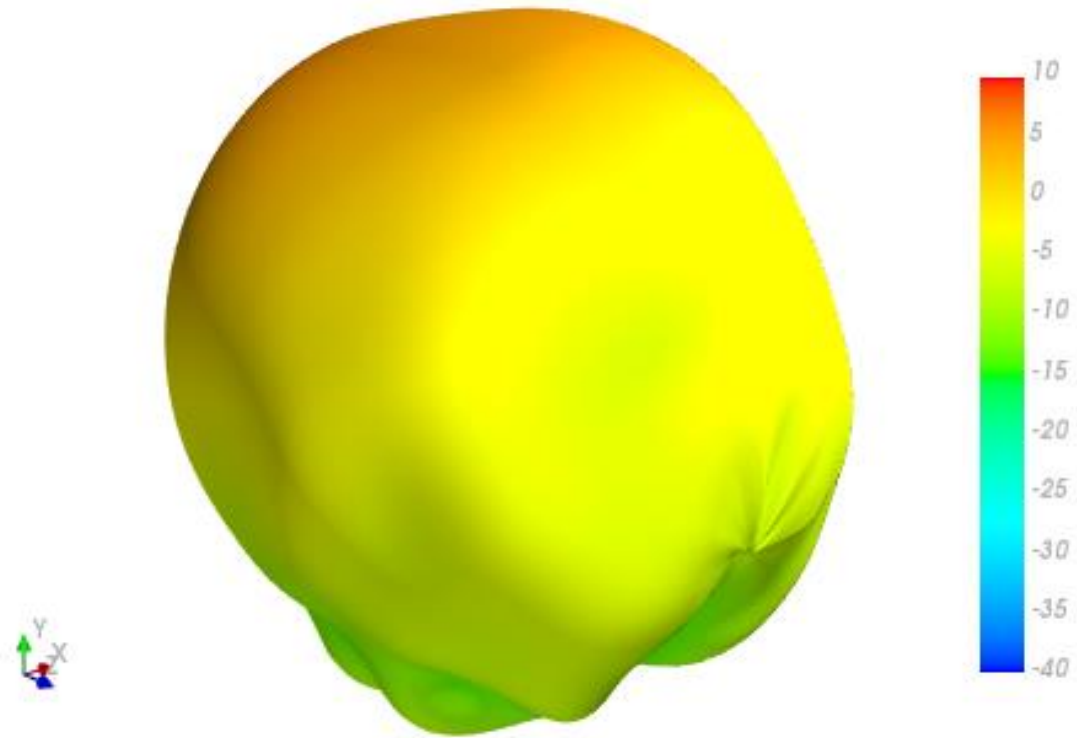
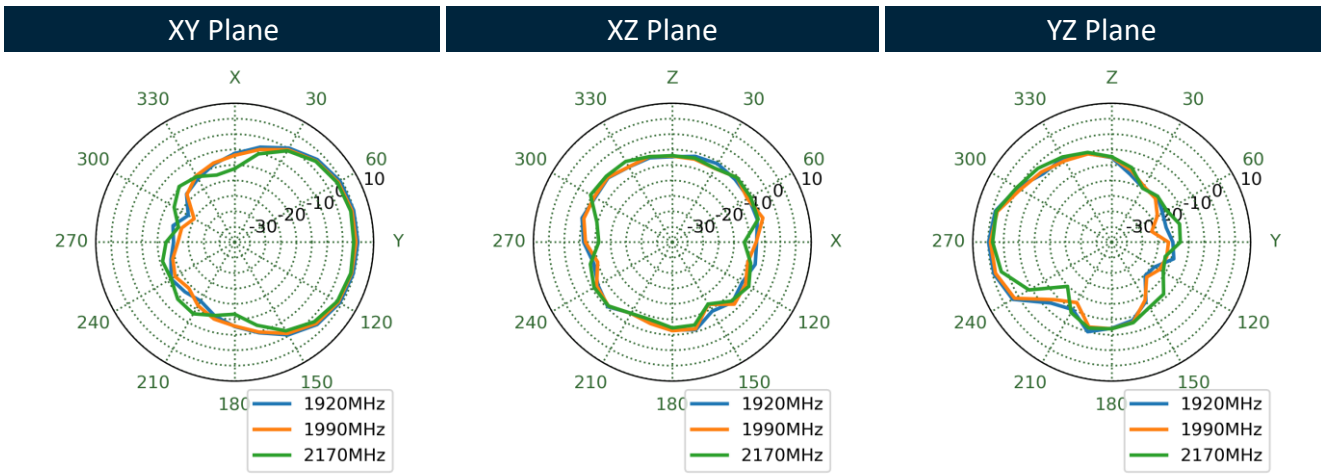
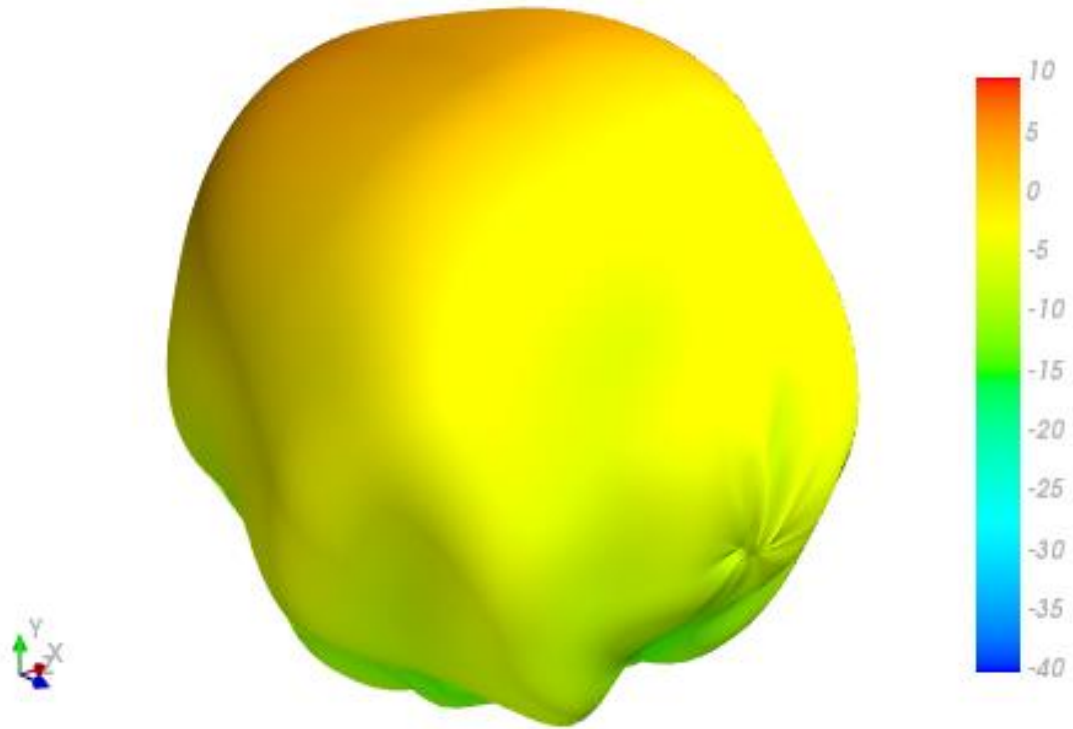


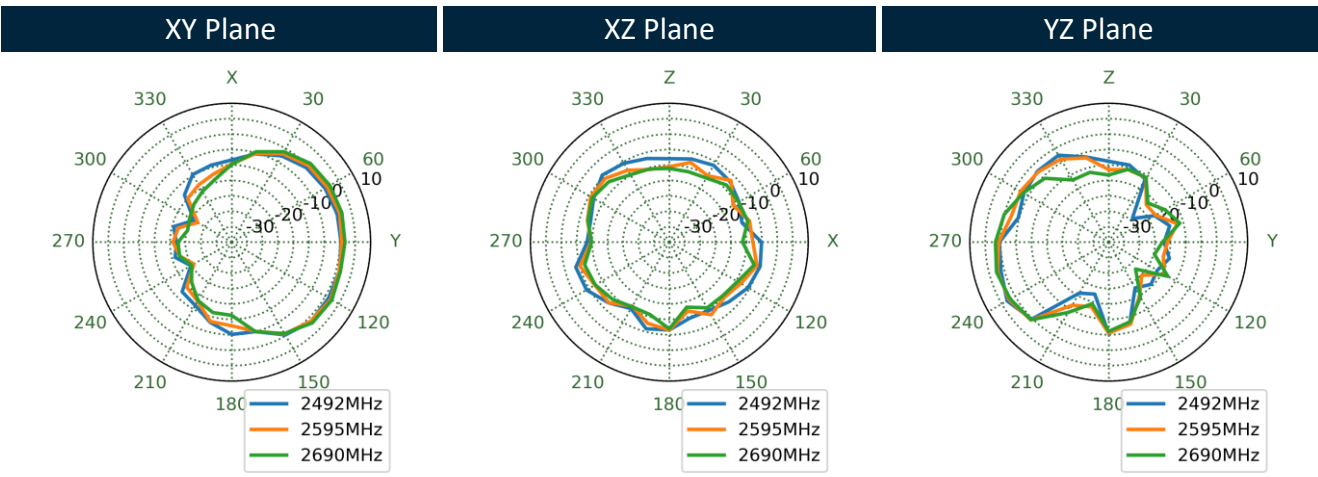
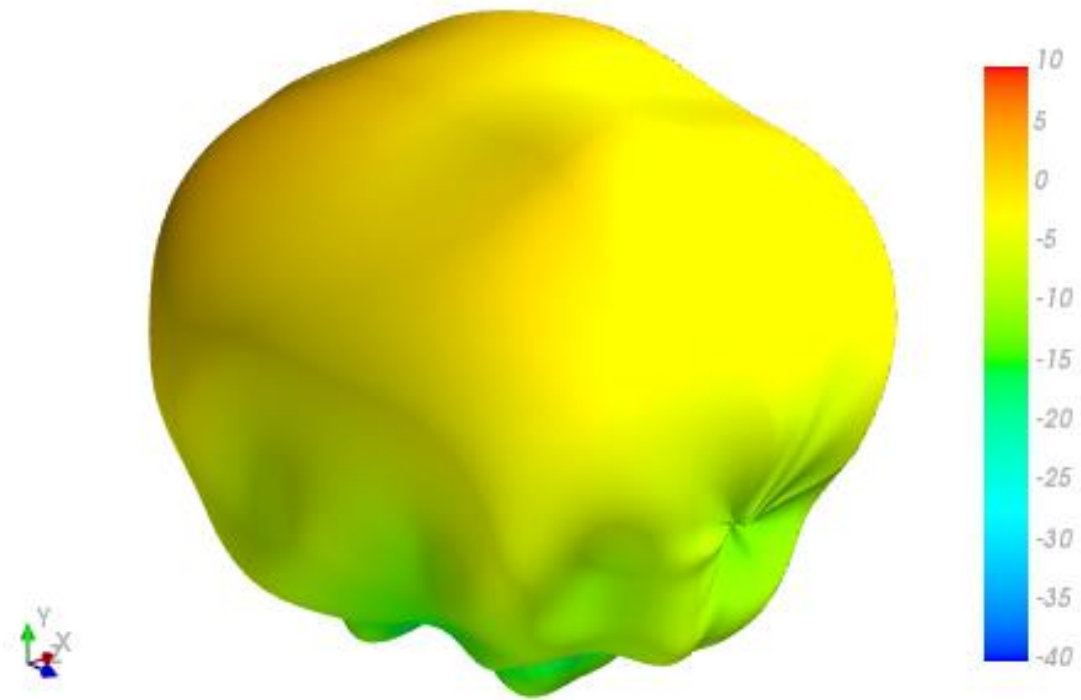
1920MHz



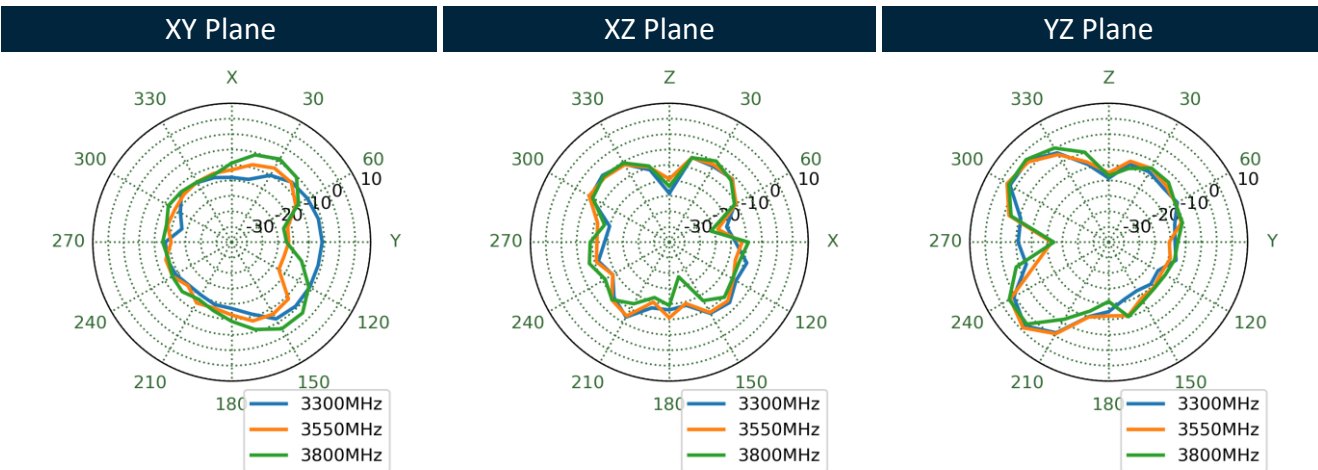
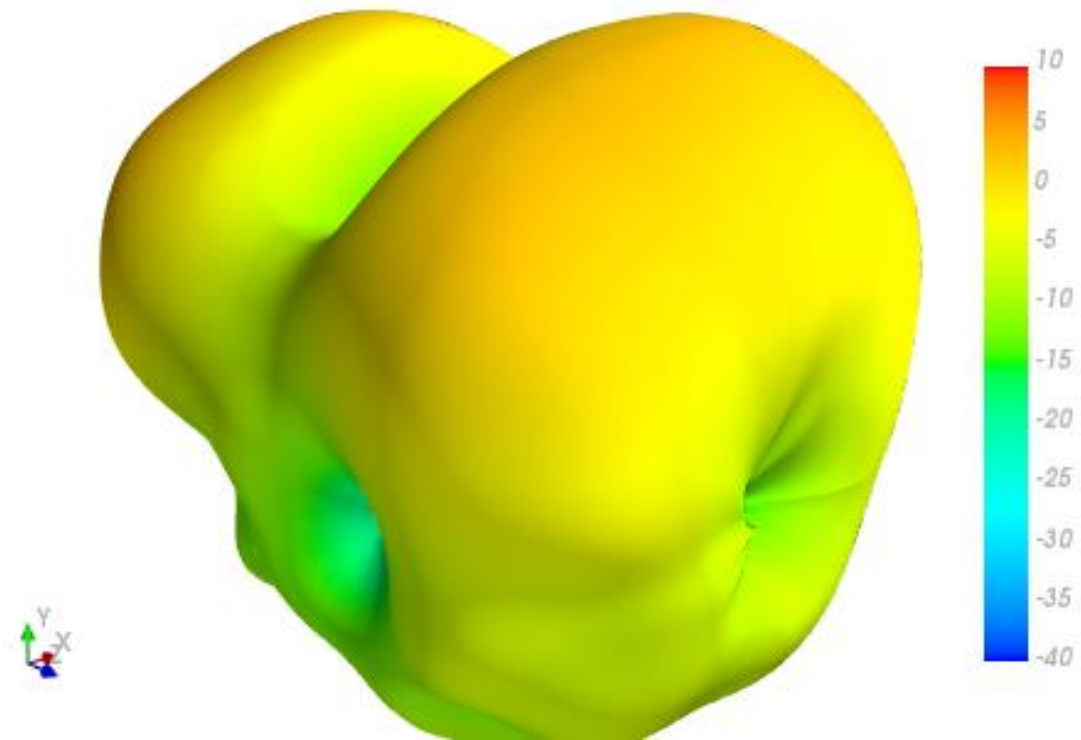
1990MHz



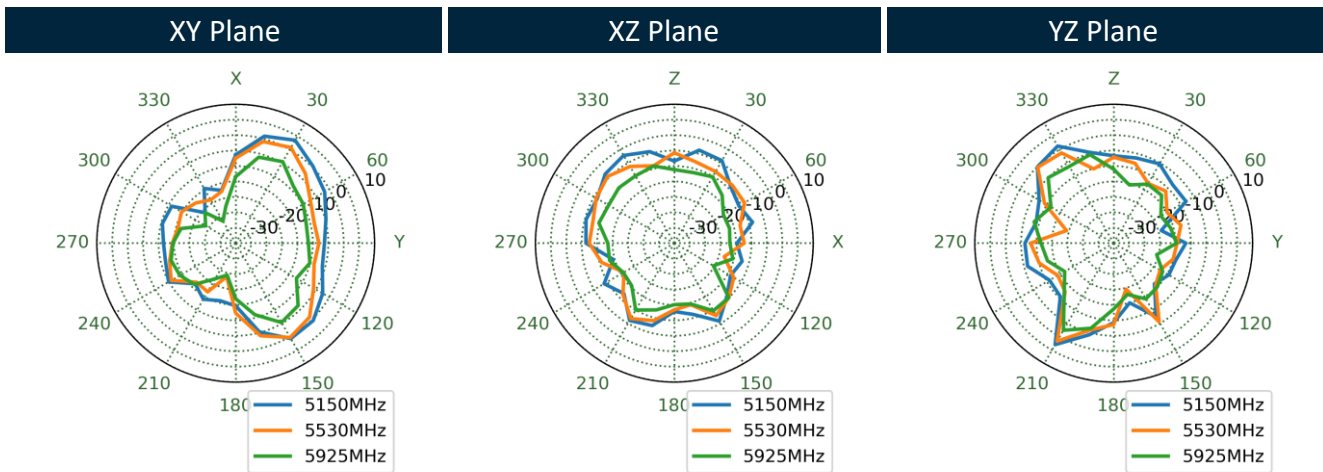
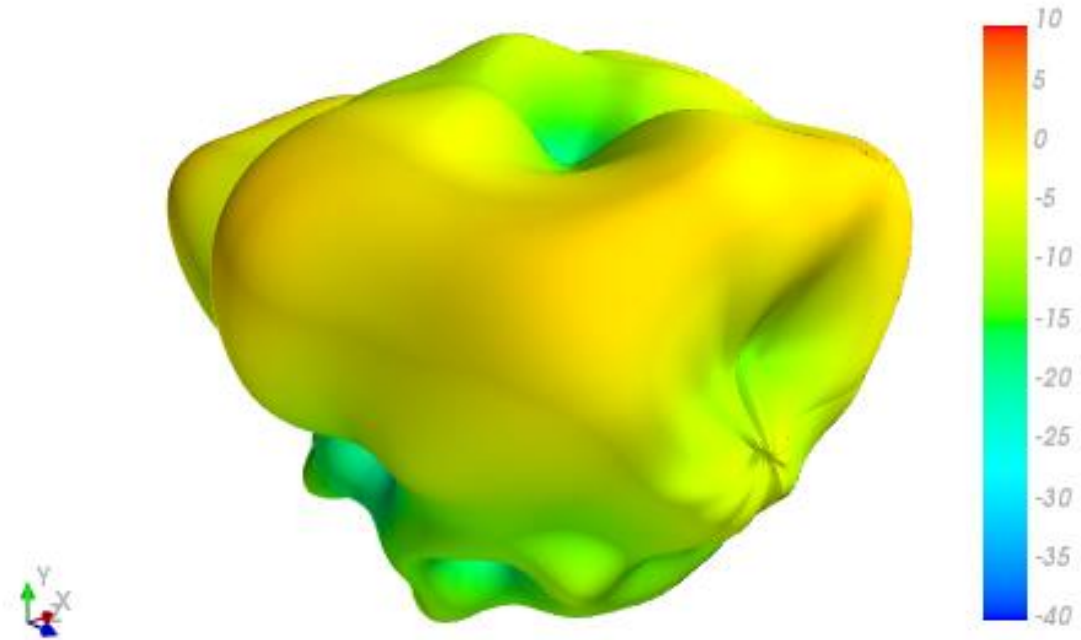
2595MHz



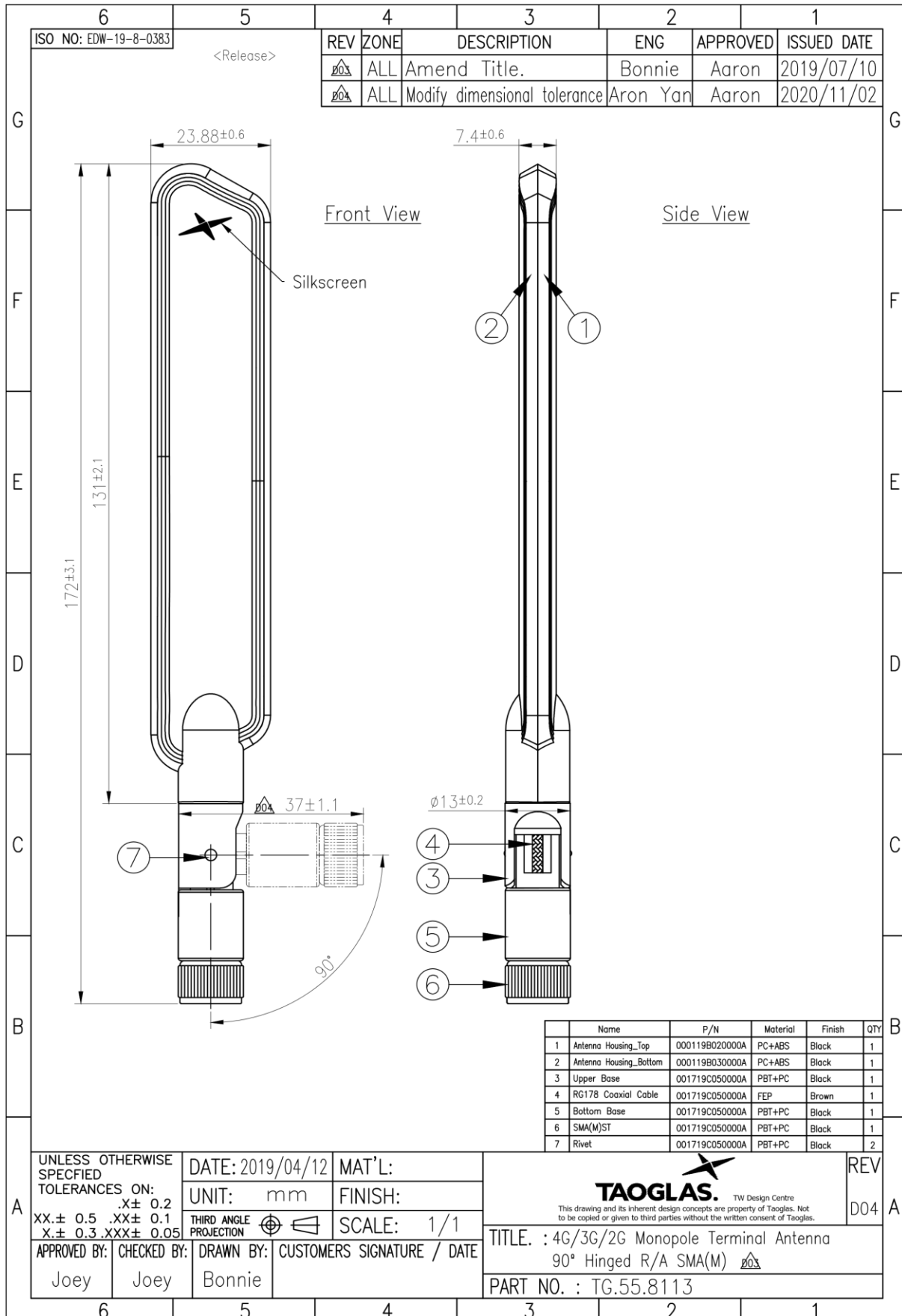
3550MHz



5530MHz

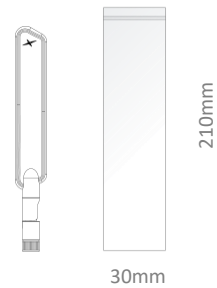


# 5. Mechanical Drawing (Units: mm)

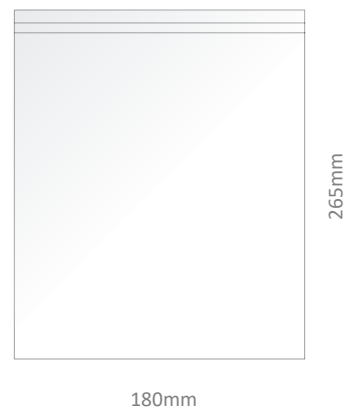


## 6. Packaging

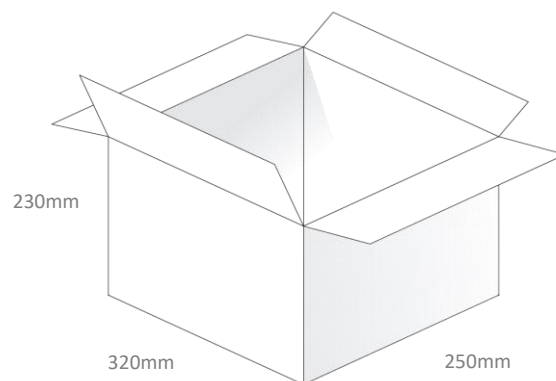
1pc TG.55.8113 per Small PE Bag  
 Dimensions: 30\*210mm  
 Weight: 31g



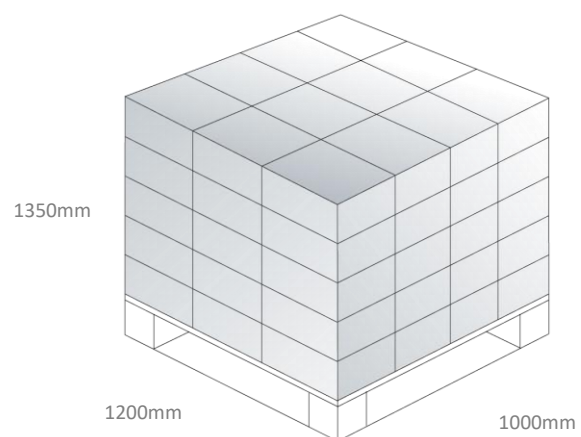
20pcs per Large PE Bag  
 Dimensions: 180\*265mm  
 Weight: 620g



400pcs TG.55.8113 per Carton  
 Carton Dimensions: 320\*250\*230mm  
 Weight: 13Kg

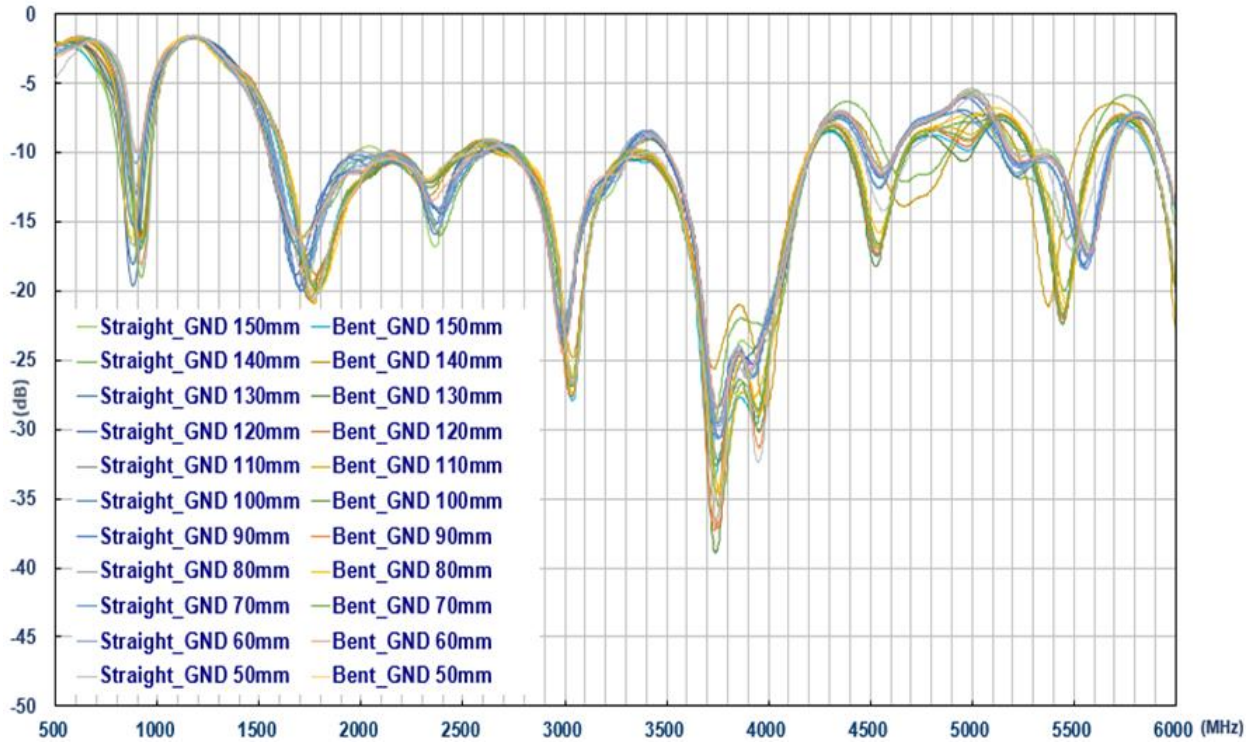


Pallet Dimensions:  
 1200\*1000\*1350mm  
 60 Cartons per Pallet  
 12 Cartons per layer, 5 Layers

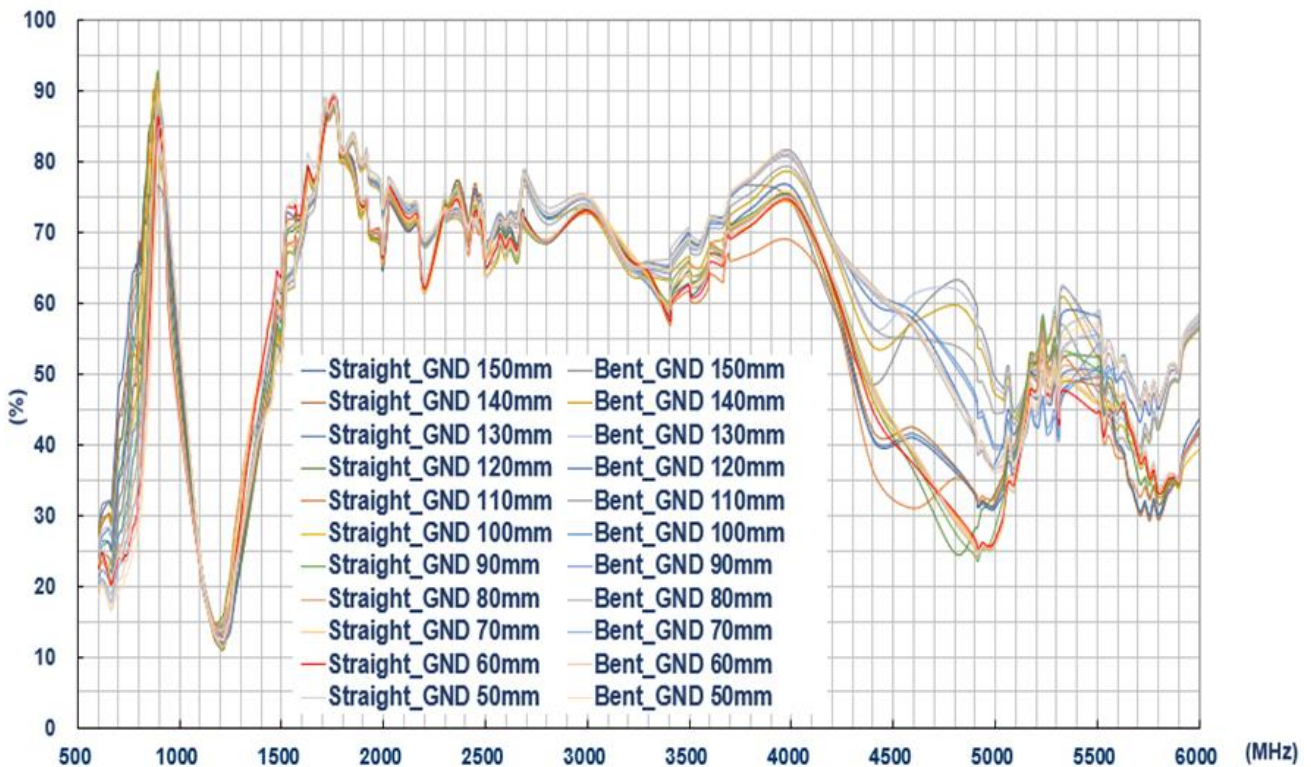


## 7. Application Note

### 3.1 Return Loss

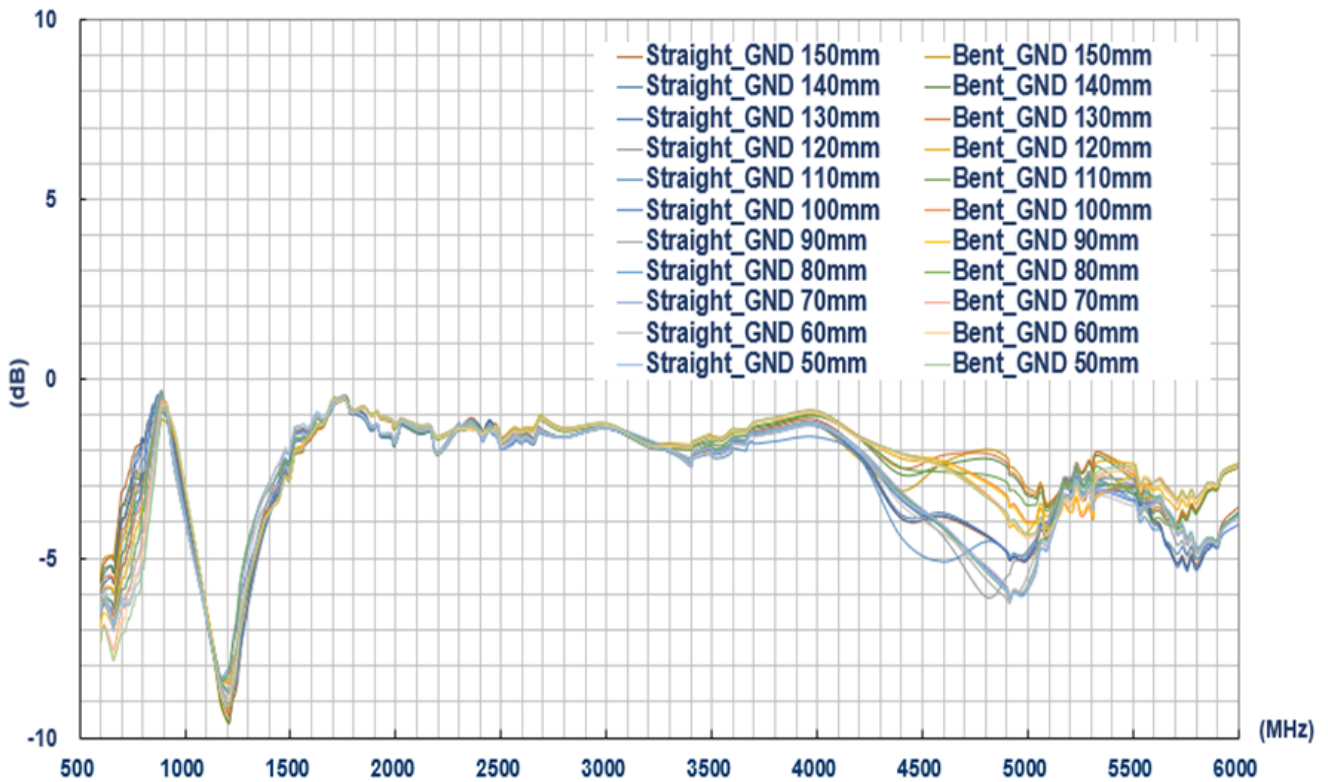


### 3.2 Efficiency

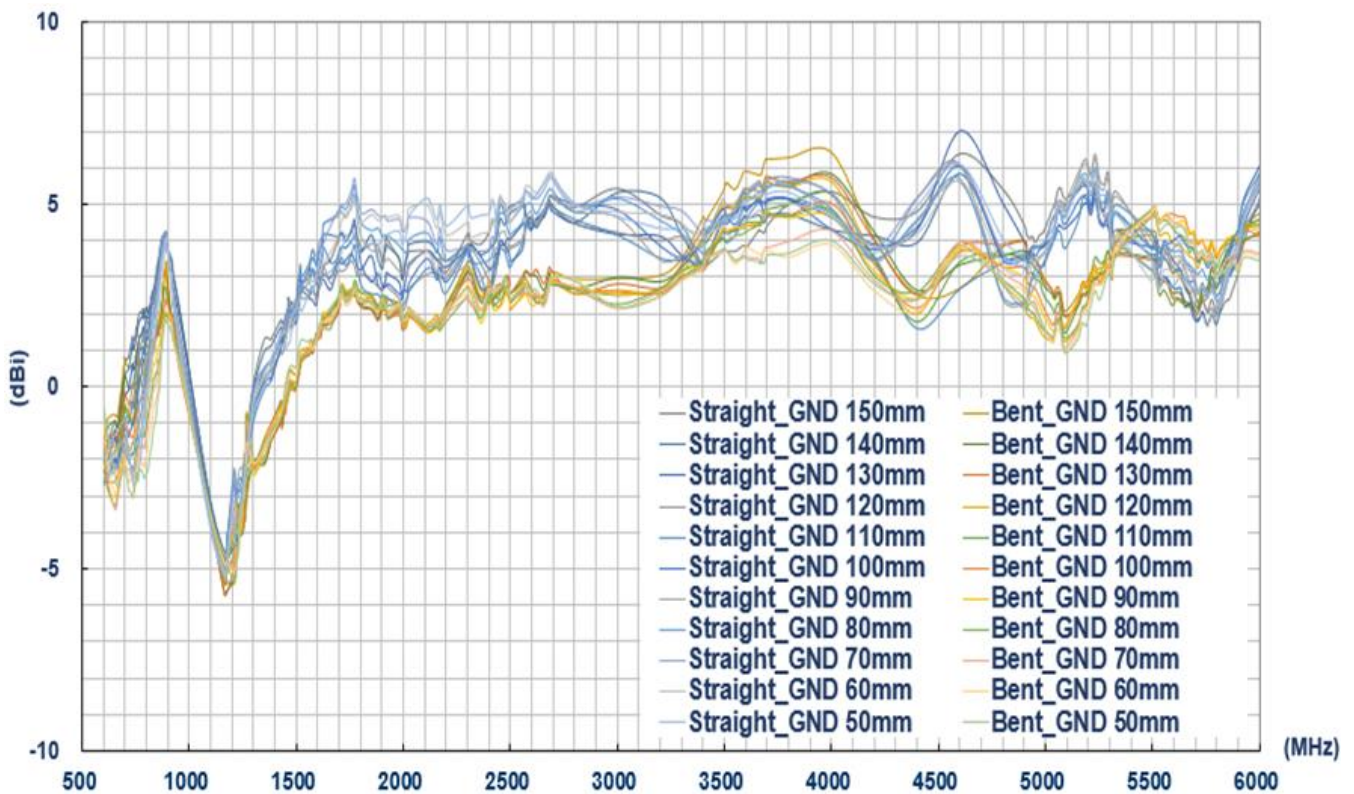




### 3.3 Average Gain



### 3.4 Peak Gain



Changelog for the datasheet

**SPE-19-8-061 – TG.55.8113**

**Revision: D (Current Version)**

Date:	2020-11-10
Changes:	Updated drawing
Changes Made by:	Jack Conroy

**Previous Revisions**

**Revision: C**

Date:	2019-10-16
Changes:	Updated data to include new ground planes
Changes Made by:	Jack Conroy

**Revision: B**

Date:	2019-08-29
Changes:	Updated description
Changes Made by:	David Connolly

**Revision: A (Initial Launch)**

Date:	2019-05-22
Changes:	Initial Specification Release
Changes Made by:	Jack Conroy



# Mouser Electronics

Authorized Distributor

Click to View Pricing, Inventory, Delivery & Lifecycle Information:

[Taoglas:](#)

[TG.55.8113](#)