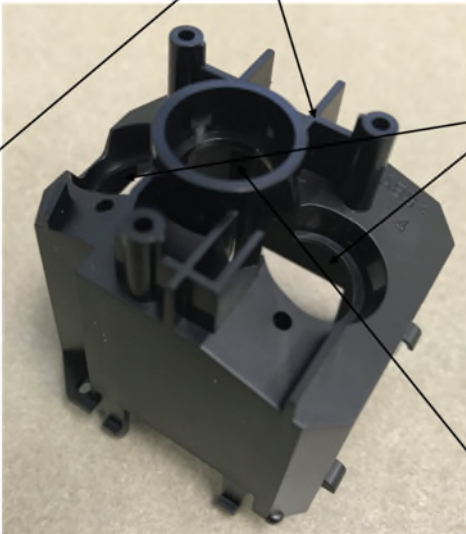


CMOS (in the back)
Top (Main) PCB
Status Indicator

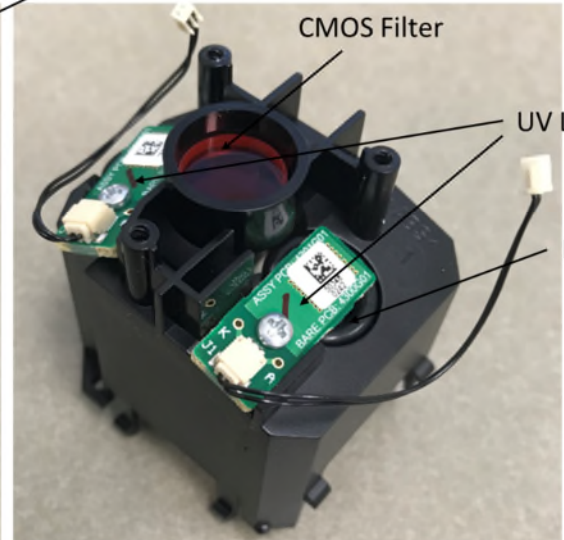


Optic Chamber

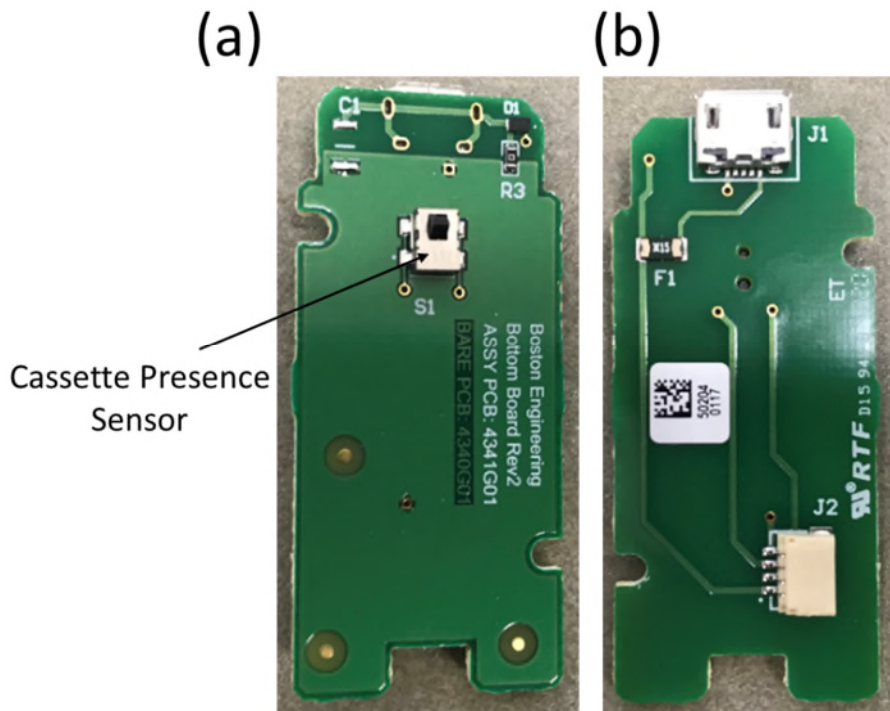
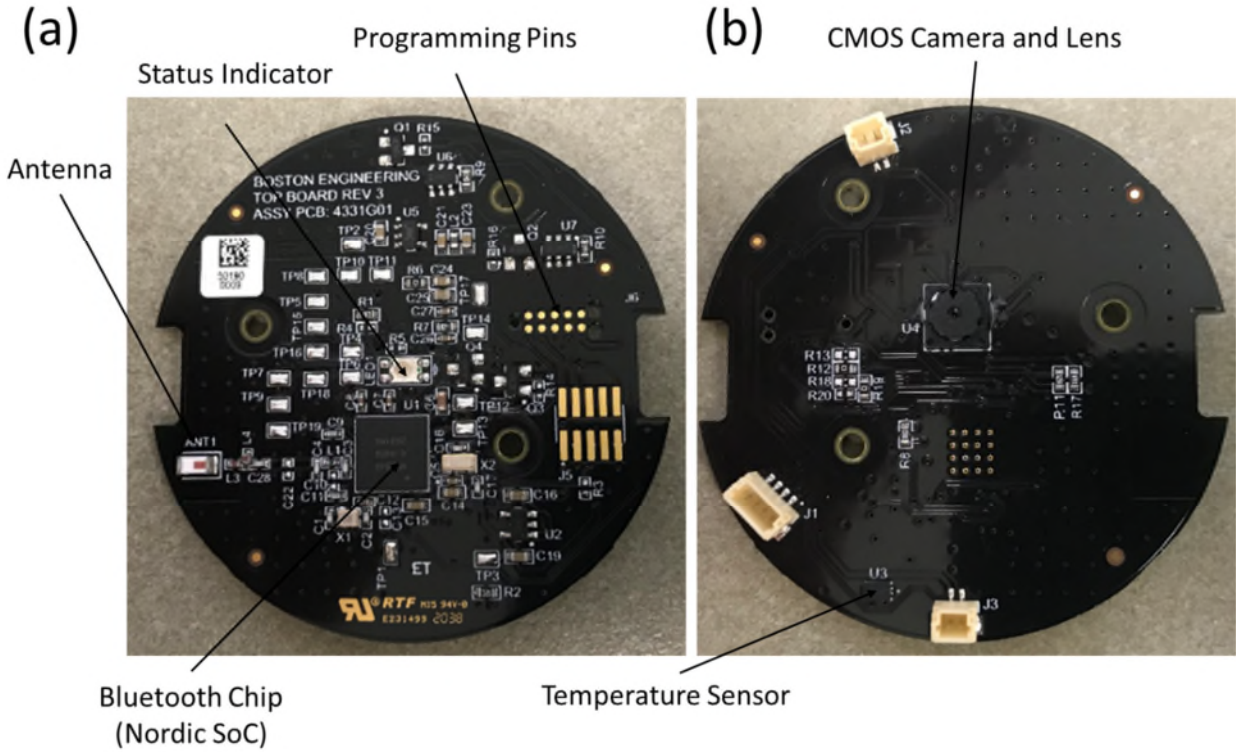


Pocket for UV Filters
Pocket for CMOS Filter

CMOS (in the back)
Top (Main) PCB
Status Indicator
Bluetooth Chip



CMOS Filter
UV LED PCB
LED Filter



(a)



(b)



UV LED