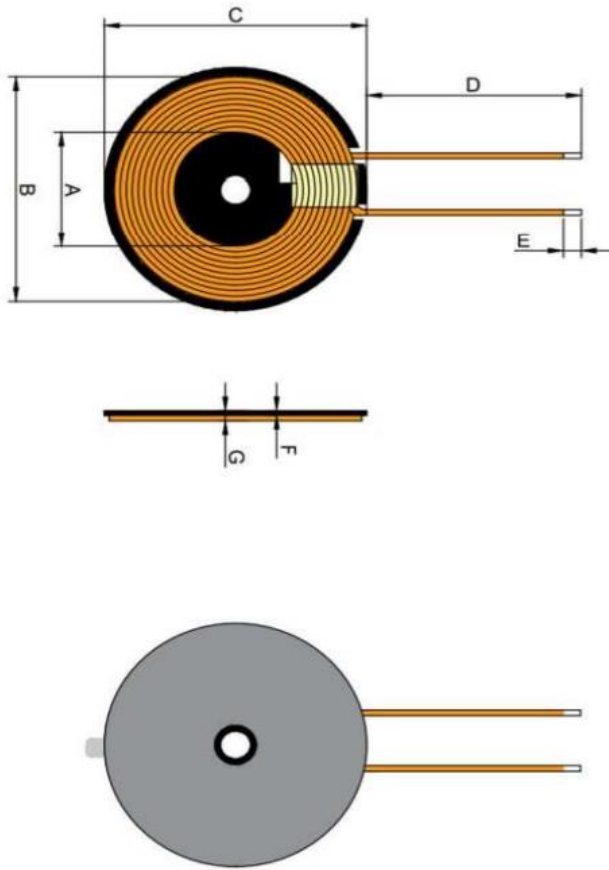


一、尺寸 DIMENSION:(mm)



A	20.5±0.5
B	40±1
C	43.8±0.5
D	40±1
E	3±1
F	0.65±0.05
G	2.0 max
H	
I	
J	
K	
L	

Coil Turns: 12T

Manufacturer: Haining Junrui Electronics Co., Ltd

address: B042 second floor of Parkway Hailong Plaza, No. 399, Wenyuan Road, Haining Economic Development Zone, Haining City, Jiaxing City, Zhejiang Province