

REALMIC

REALMIC

Professional Wireless Video Recording  
Microphone

X200/X200S



Zhizhen Audio Tech (Dongguan) Co., Ltd.

MADE IN CHINA

### Preamble

Thank you for choosing our Wireless Microphones. This device adopts UHF high integrated chip design, featuring FPCR wireless transceiving technology, provides high quality audio, stable and reliable signal transmission. It can be widely used in interviews, short video recordings, program hosting, live streaming, teaching and training, and other wireless applications.

#### **This product line includes the following models:**

##### **X200:**

Transmitter x1, dual channel receiver x1, camera audio cable x1, cell phone audio cable x1, recharging cable and user manual

##### **X200S:**

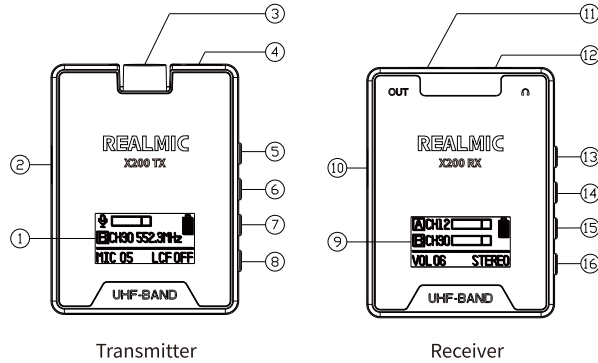
Transmitter x2, dual channel receiver x1, camera audio cable x1, cell phone audio cable x1, recharging cable and user manual

### I. Features

1. UHF high integrated chip design for strong anti-interference ability
2. Innovative FPCR wireless transceiving technology assures stable and reliable signal transmission
3. Transmitter with built-in high-performance microphone delivers clear sound quality
4. Transmitter with mic gain control for wide range of application
5. Transmitter with LOW-CUT function provides low ground noise
6. Receiver with output volume control, compatible with a variety of devices
7. Equipped with headphone output socket for real-time monitoring
8. Available with mono or stereo output – optional
9. High resolution OLED display for ease of use
10. Built-in Li batteries for recyclable use

## Instructions

### II. The operating controls



#### Transmitter:

- ① OLED display
- ② Charging input socket: DC-5V, 1A-2A
- ③ Built-in MIC (it will mute automatically while transmitter connected with external mic)
- ④ MIC IN socket
- ⑤ Power switch: press and hold for 1 second to turn on or off; short press to mute or unmute the microphone
- ⑥ SET button: short press to select various functions in cycles; the selected function flashes, then adjust via "+", "-" button as desired
- ⑦ "+" button: cooperate with the SET button for function adjustment
- ⑧ "-" button: cooperate with the SET button for function adjustment

## Instructions

### VI. Specifications

Frequency range: 550 - 590 MHz  
Modulation: FM  
Frequency response: 40 Hz - 20 kHz  
Microphone type: Condenser, Omni  
Channels: 100 (Band A: 50, Band B: 50)  
Transmit power:  $\leq 10$  mW  
S/N ratio:  $\geq 80$  dB  
Power supply: DC 3.7V (built-in Li-battery)  
Recharging input: DC-5V/1-2A  
Recharging period: approx. 2 hrs  
Operating time: approx. 5 hrs  
Reference operating range: 50 meters at outdoor open area  
Operating temperature: 0 °C to 55 °C  
Storage temperature: -20 °C to +55 °C  
Dimensions: 56 \* 42 \* 15 mm  
Net weight: approx. 37 g

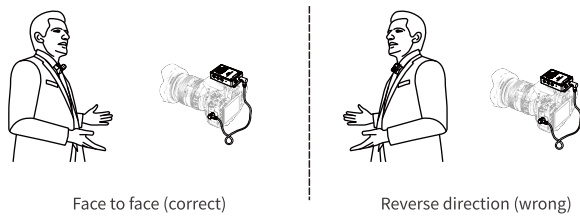
- ◇ The image shown here is indicative only. If there is inconsistency between the image and the actual product, the actual product shall govern.
- ◇ We reserve the rights to improve product, product program software and product copyright information without prior notice.

## Instructions

### V. Precautions

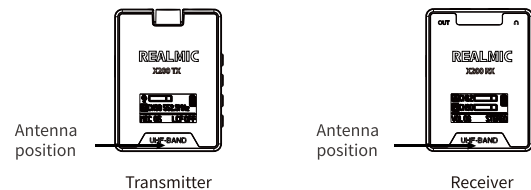
1. This product is a precise electronic device, which should avoid watering or heavy fall; if it gets wet, please dry it in time, and hand it up to professional technician for further checking.
2. When not using for a long time, the built-in rechargeable Li-battery should be fully charged every three months to maintain the high performance of the battery.
3. The built-in battery must not be exposed to sunlight, fire, or similar overheating environment.
4. To avoid intermittent signal, please try to keep the transmitter and receiver face to face while using.

◇ As shown below:



5. To avoid bad signal, the antenna should not be covered by objects while using.

◇ The antenna position is as shown below:

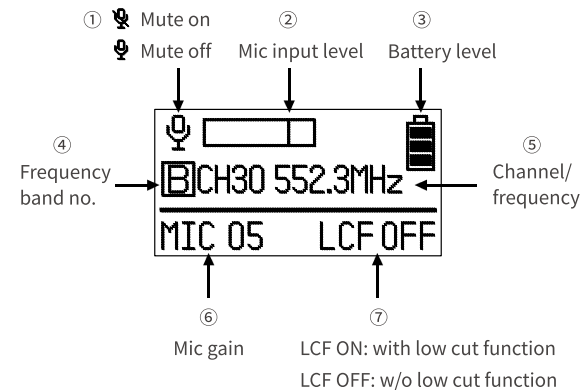


## Instructions

### Receiver:

- ⑨ OLED display
- ⑩ Charging input socket: DC-5V, 1A-2A
- ⑪ Audio output: for connecting the receiver to recording device by using the audio cable
- ⑫ Headphone output: can connect headphones for real-time monitoring
- ⑬ Power switch: press and hold for 1 second to turn on or off
- ⑭ SET button: short press to select various functions in cycles; the selected function flashes, then adjust via "+", "-" button as desired
- ⑮ "+" button: cooperate with the SET button for function adjustment
- ⑯ "-" button: cooperate with the SET button for function adjustment

### OLED display of Transmitter:

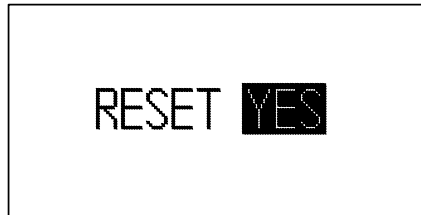


## Instructions

### Operating instruction of Transmitter display:

- ① Mute on/off: short press the power switch to mute or unmute the microphone, the display will show the relevant symbol accordingly
- ② Mic input level: display the microphone audio signal dynamically
- ③ Battery level: 3 segments means fully charged; 1 segment means the battery level is less than 30%, please recharge in time
- ④ Transmitter frequency band no.: when two transmitters are used at the same time, one is band A and the other is band B; it corresponds with the receiver. The band number has been set at the factory, no need to be adjusted by end users
- ⑤ Transmitter channel/frequency: the channel/frequency of the transmitter must be consistent with the receiver's, to ensure effective connection
- ⑥ Mic gain: can adjust the microphone sensitivity; when the sound source is with too high sound pressure, lower the microphone sensitivity can reduce the distortion
- ⑦ Low-cut: set at LCF ON to enable the low-cut function, which can cut all the audio frequency response that below 200Hz to improve sound clarity

◇ The setting method for the above point 5, 6 and 7: short press the "SET" button, the function options on the display screen will flash in turn, the flashing option indicates that it has been selected, then adjust the parameters via the "+", "-" button, and short press the SET button again to save.

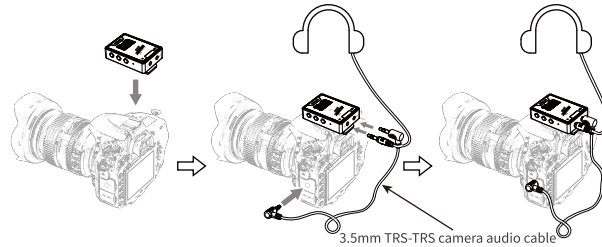


## Instructions

### IV. Troubleshooting

<b>No signal on receiver</b>	Check if the channel number of the transmitter and receiver are consistent; for example, if the channel number of the transmitter is CH30, the receiver also needs to be set to Ch30
<b>Short receiving distance, intermittent</b>	The transmitter and receiver should be used face to face, avoid using from back side
	If it gets interference, please change the channel of both transmitter and receiver
	The distance can be affected by the buildings that blocks the transmitter and receiver
<b>No sound / small sound</b>	In a crowded environment, the human body will attenuate the radio waves, please make sure the transmitter and receiver are not blocked
	Connect headphones to monitor and first determine the possible range of the fault, and then check the following possible situations:
	1. Check if the audio cable is properly connected and fully inserted into the socket 2. Check on the microphone volume and permission settings of the recording device 3. Check if the transmitter is set at minimum volume, adjust the volume to solve the problem
<b>Short battery life</b>	Exceeding the specified operating temperature will affect the Li battery performance
	The battery performance will decrease after more than 1000 charging cycles. Please consult with the dealer or manufacturer
<b>Wind noise</b>	Check whether the microphone windscreen is put on
	Do not use the microphone in the windward position or in front of the fan
<b>Cell phone interference noise</b>	Even if the cell phone is at standby state, the handshake communication between cell phone and base station may also produce interference noise. So, while recording by cell phone, please set the phone at flight mode to avoid interference noise
<b>Other noise</b>	When the transmitter or receiver is under charging, it may be affected by electric signal and generate noise
	Noise generated by interference from other radio equipment, please change the channel of both transmitter and receiver.
	Interfered by high-powered electrical equipment, such as induction cooktops, microwave ovens, distribution boxes, etc., please keep away from these devices.
	When using it near a computer or electricity cable, it may be affected by internet and electric signal and generate noise. Please keep away from these facilities.

## Instructions

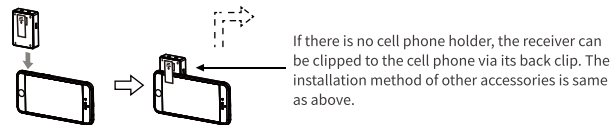
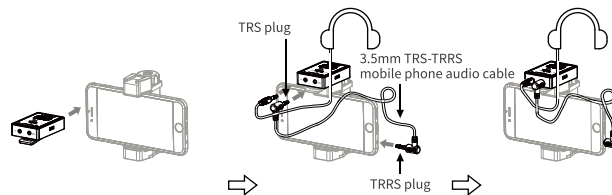


◇ Connect the headphones to the “headphone output” of the receiver for real-time monitoring

### 2. How to use with the cell phone:

Mount the receiver on the cell phone holder via its back clip; connect the receiver with the cell phone by using the 3.5mm TRS-TRRS cell phone audio cable which included in the package. The TRRS plug is for connecting with cell phone, and TRS one is for receiver. (Please note the distinction between TRS-TRS camera audio cable and TRS-TRRS cell phone audio cable)

As shown below:

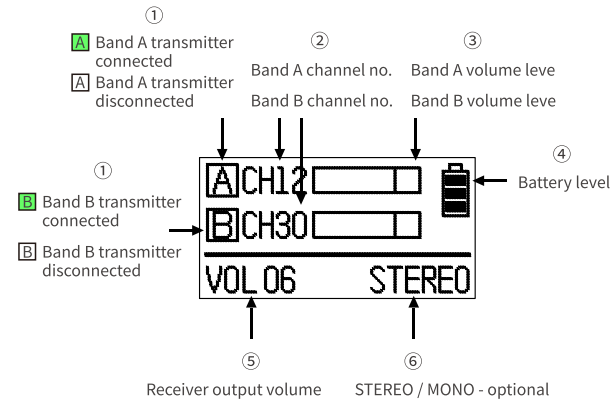


◇ Some cell phones do not have a 3.5mm socket, then please prepare a 3.5mm plug conversion cable  
 ◇ Connect the headphones to the “headphone output” of the receiver for real-time monitoring

## Instructions

⑧ Initialization setting: after pressing the "SET" button for 3 seconds, the screen will display as shown above. You can select "YES" or "No" via the "+", "-" button, and select "YES" is to restore the factory default settings

### OLED display of Receiver:



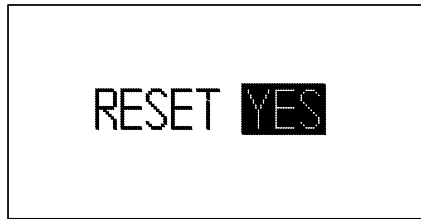
### Operating instruction of Receiver display:

- ① Receiver frequency band no.: Band no. lights in green means the transmitter was connected. The band number has been set at the factory, no need to be adjusted by end users
- ② Receiver channel no.: the receiver channel number must be the same as the transmitter channel number of the corresponding band
- ③ Band volume level: dynamically display the microphone audio signal of the transmitter
- ④ Battery level: 3 segments means fully charged; 1 segment means the battery level is less than 30%, please recharge in time
- ⑤ Receiver output volume: can adjust the output signal of the receiver

## Instructions

- ⑥ Sound channel setting: when set to STEREO mode, it is independent output for band A and band B; MONO is mixed output for band A and band B. This setting is only valid for model equipped with two transmitters, then band A is the left channel, while band B is the right channel. For model equipped with only one transmitter, please set it to MONO output

◇ The setting method for the above point 2, 5 and 6: short press the "SET" button, the function options on the display screen will flash in turn, the flashing option indicates that it has been selected, then adjust the parameters via the "+", "-" button, and short press the SET button again to save.



- ⑦ Initialization setting: after pressing the "SET" setting button for 3 seconds, the screen will display as shown above. You can select "YES" or "No" via the "+", "-" button, and select "YES" is to restore the factory default settings

## III. Start using

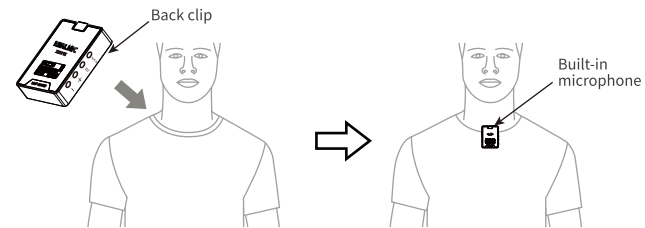
### Transmitter:

#### 1. How to use the built-in mic:

Clip the transmitter on to the collar via its back clip, make sure the built-in mic point to the sound source.

As shown below:

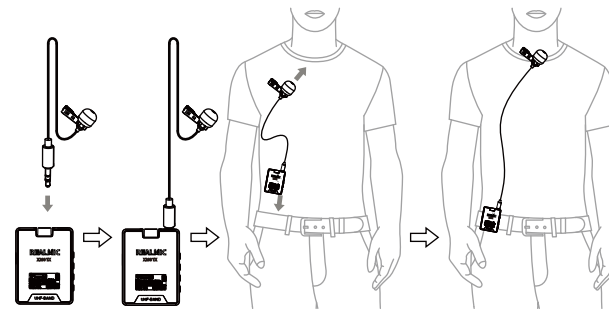
## Instructions



#### 2. How to use the external mic:

Connect the lavalier microphone to the MIC IN socket of the transmitter via its 3.5mm plug, mount the transmitter on the waist belt, then clip the lavalier microphone on to the collar via its tie-clip, make sure the lavalier mic point to the sound source.

As shown below:



### Receiver:

#### 1. How to use with the camera:

Mount the receiver on the shoe-mount of the camera via its back clip; connect the receiver with the camera by using the 3.5mm TRS-TRS camera audio cable which included in the package. (Please note the distinction between TRS-TRS camera audio cable and TRS-TRRS cell phone audio cable)

As shown below:

FCC warning statement

This device complies with Part 15 of the FCC rules.

Operation is subject to the following two conditions:

- 1) this device may not cause harmful interference, and
- 2) this device must accept any interference received, including interference that may cause undesired operation.

Changes or modifications not expressly approved by the party responsible for compliance could void the user's authority to operate the equipment.

The device has been evaluated to meet general RF exposure requirement. The device can be used in portable exposure condition without restriction.

This device operates on a no-protection, no-interference basis. Should the user seek to obtain protection from other radio services operating in the same TV bands, a radio license is required. For further details, consult Innovation, Science and Economic Development Canada's document Client Procedures Circular CPC-2-1-28, Voluntary Licensing of License-Exempt Low-Power Radio Apparatus in the TV Bands.