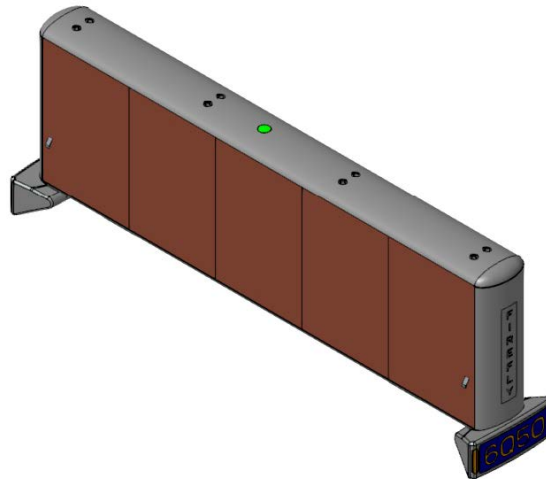


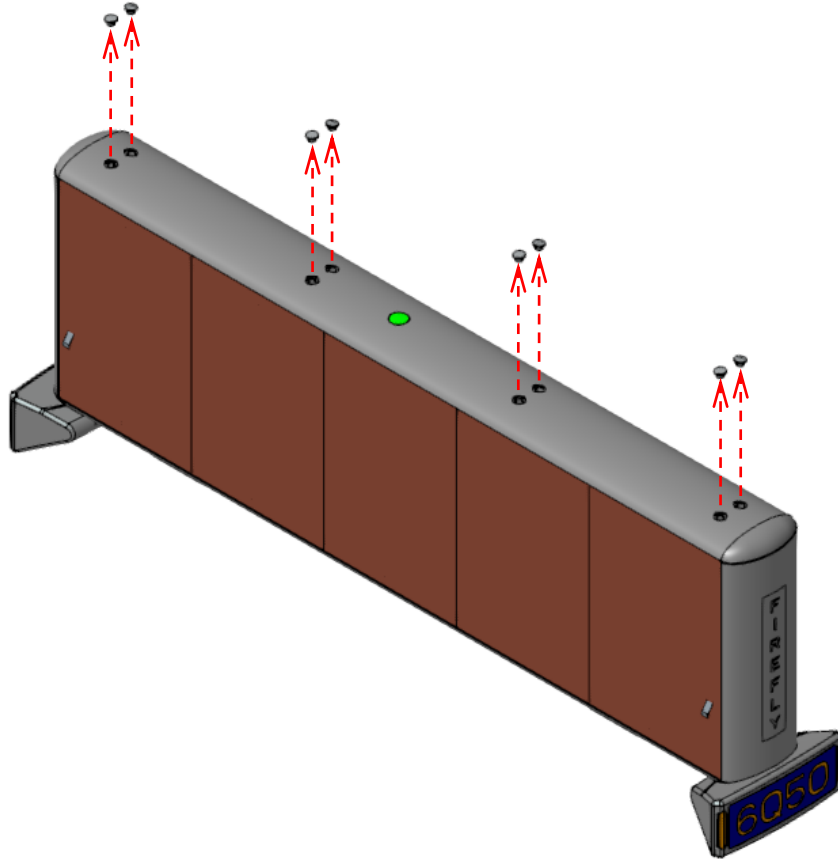
# User manual

## Introduction

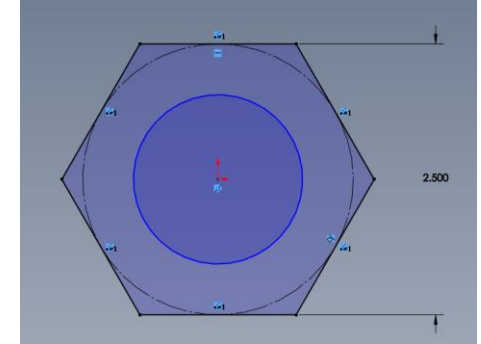
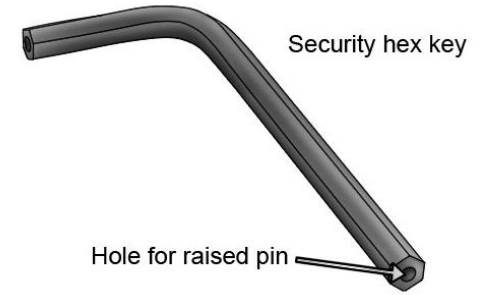
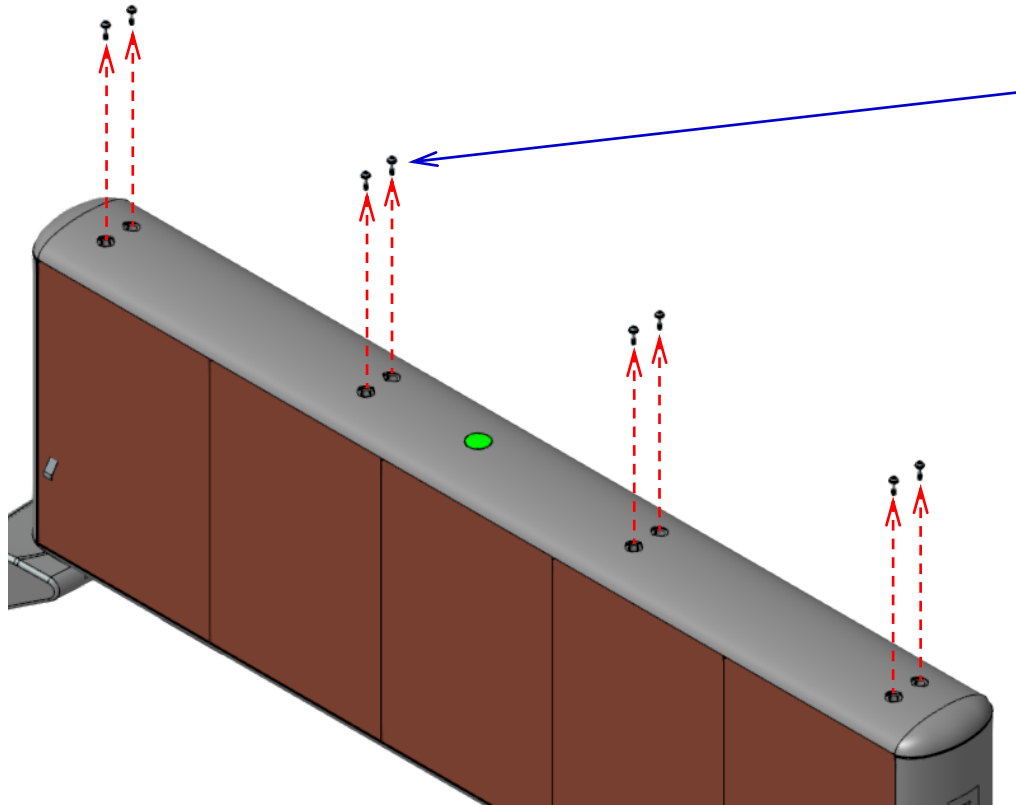
LED Roof Display is a new mobile media platform that displays ads and news stories. Unlike traditional media, the LED Roof Display can intelligently switch ads based on location and traffic information via a built-in GPS module. The brightness can be adjusted for different times of day and environment to make the content more readable.



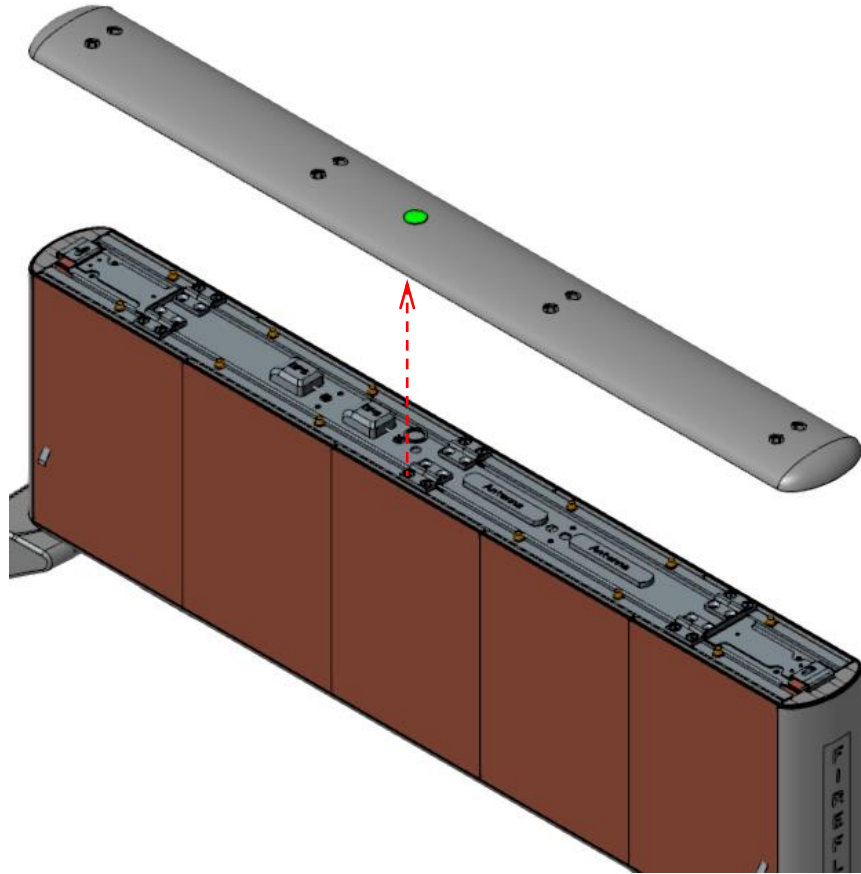
## 01 – Remove top cover screw caps (8x)



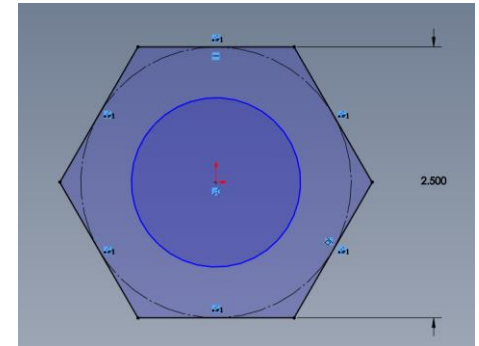
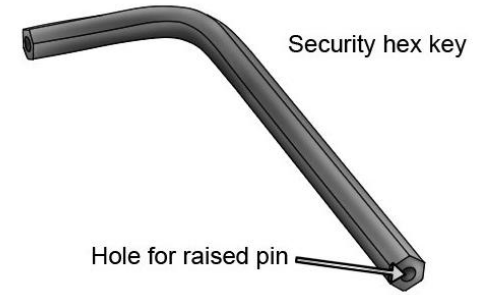
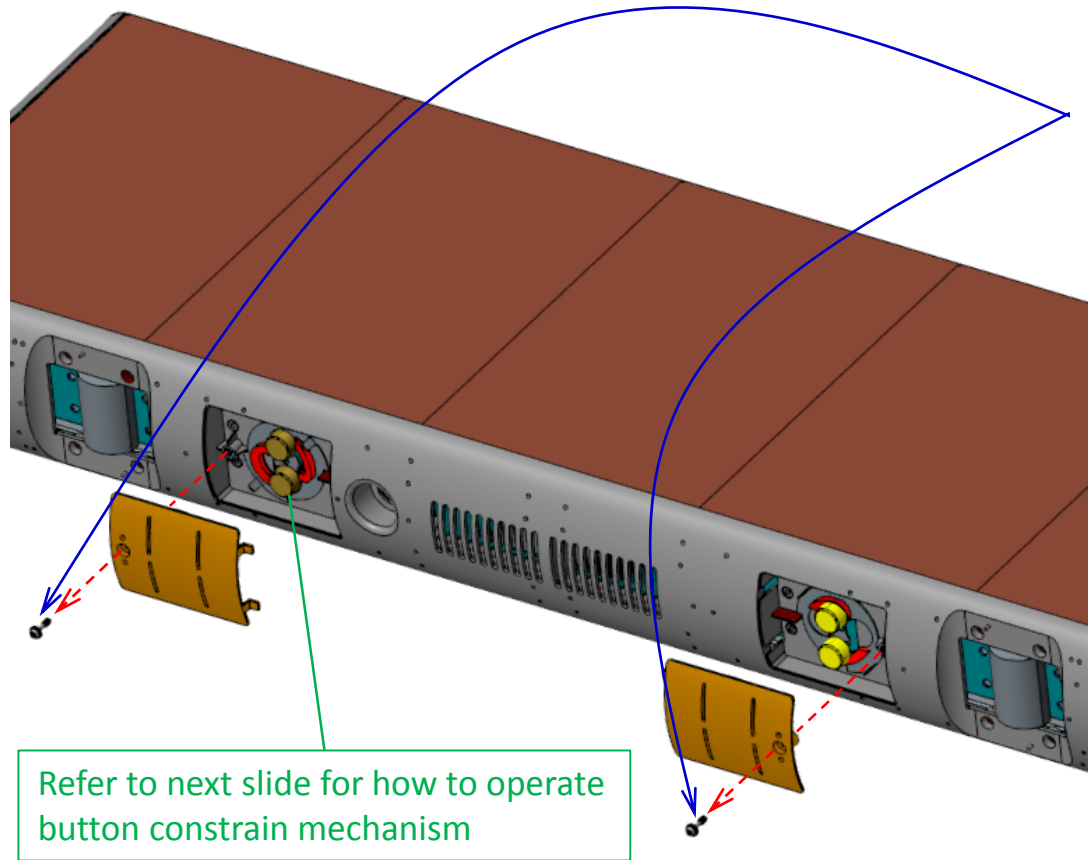
## 02 – Remove top cover fixing screws (8x)



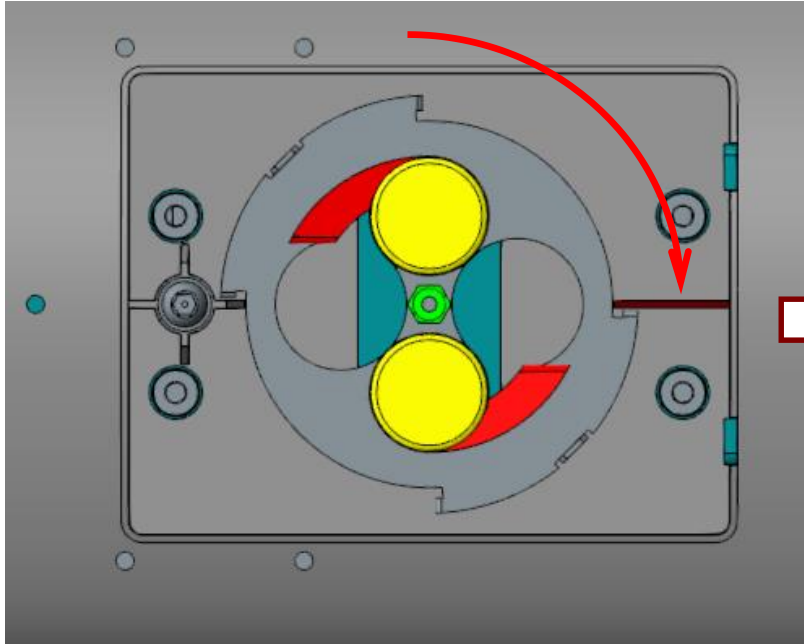
## 03 – Remove top cover



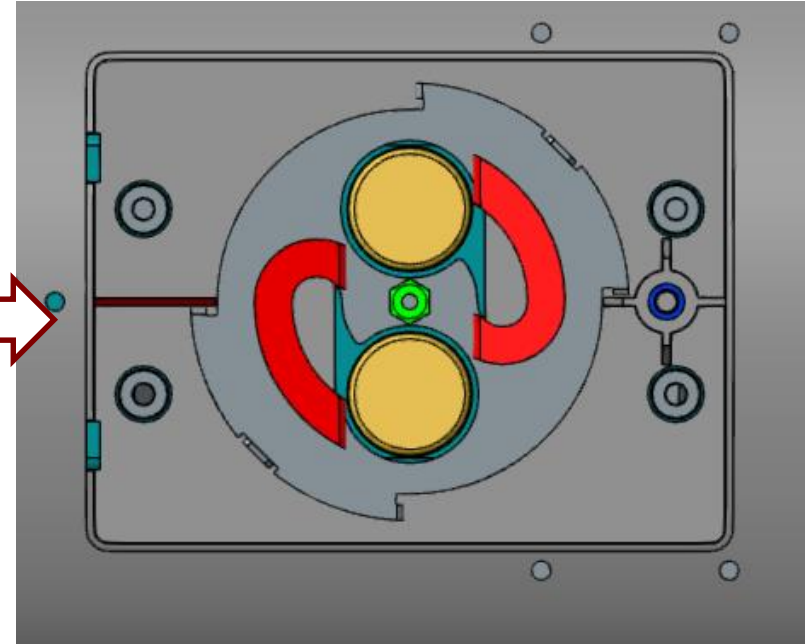
# 04 – Remove panel release button covers @system bottom side (2x)



## 05 – Turn the button constrain mechanism 90° clock-wise



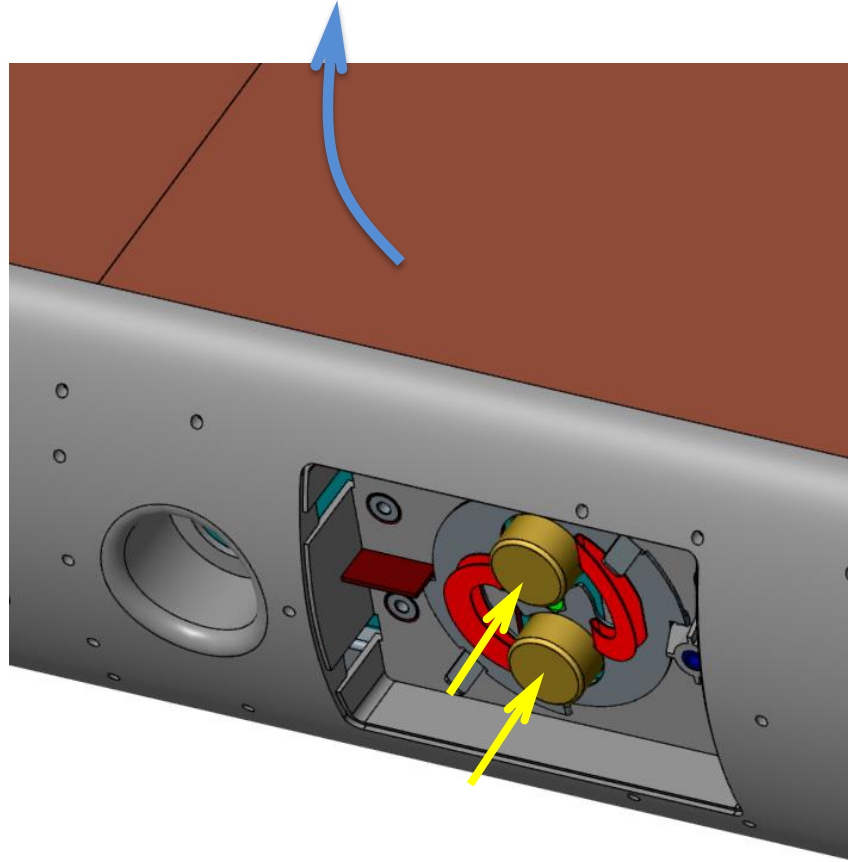
Mechanism at lock state



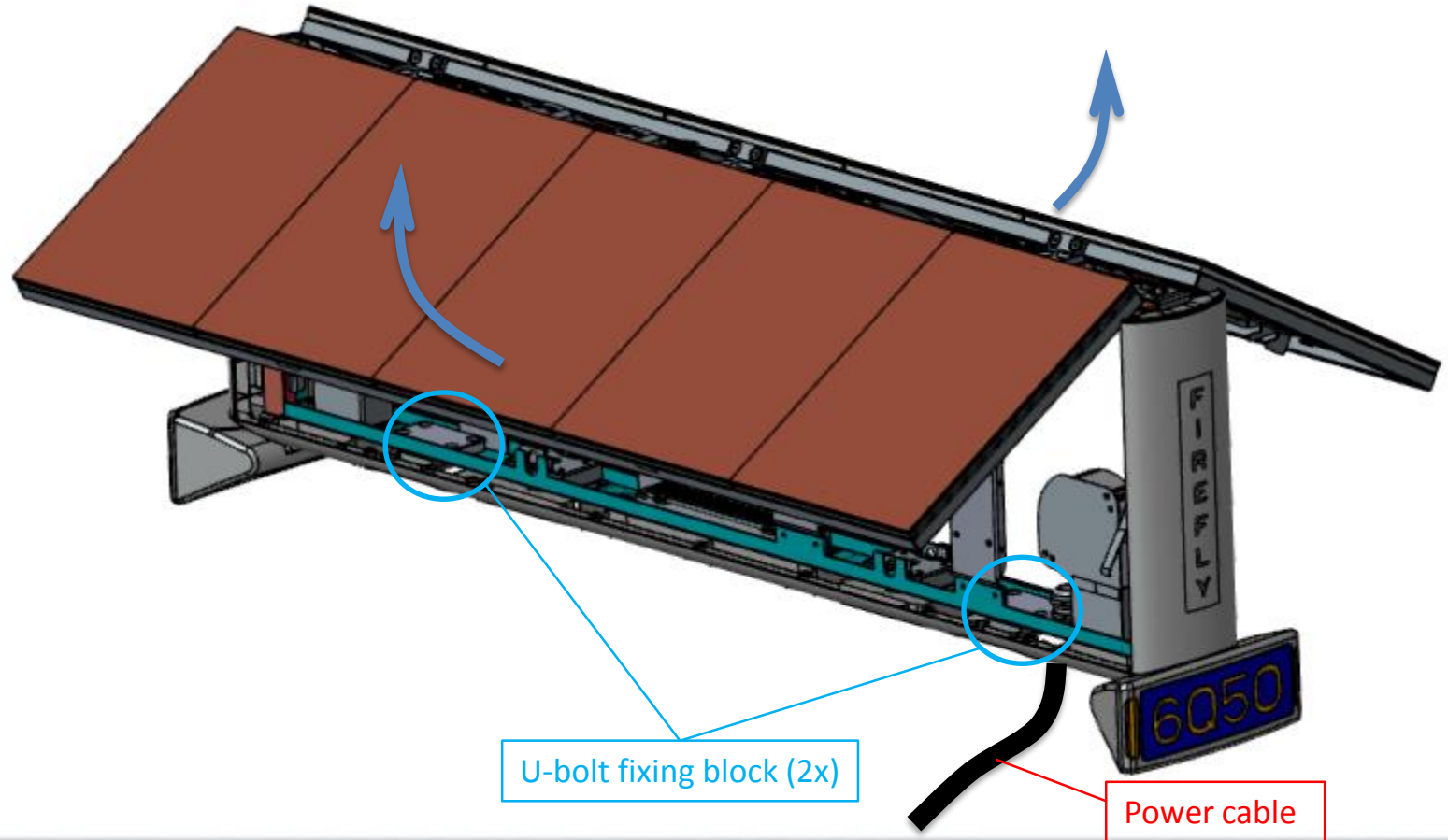
Mechanism at release state

P.S. Only when the mechanism is at release state, the panel release buttons can be pushed down to unlock LED panel module

## 06 – Push down the release buttons and flip up LED panel module (both sides)

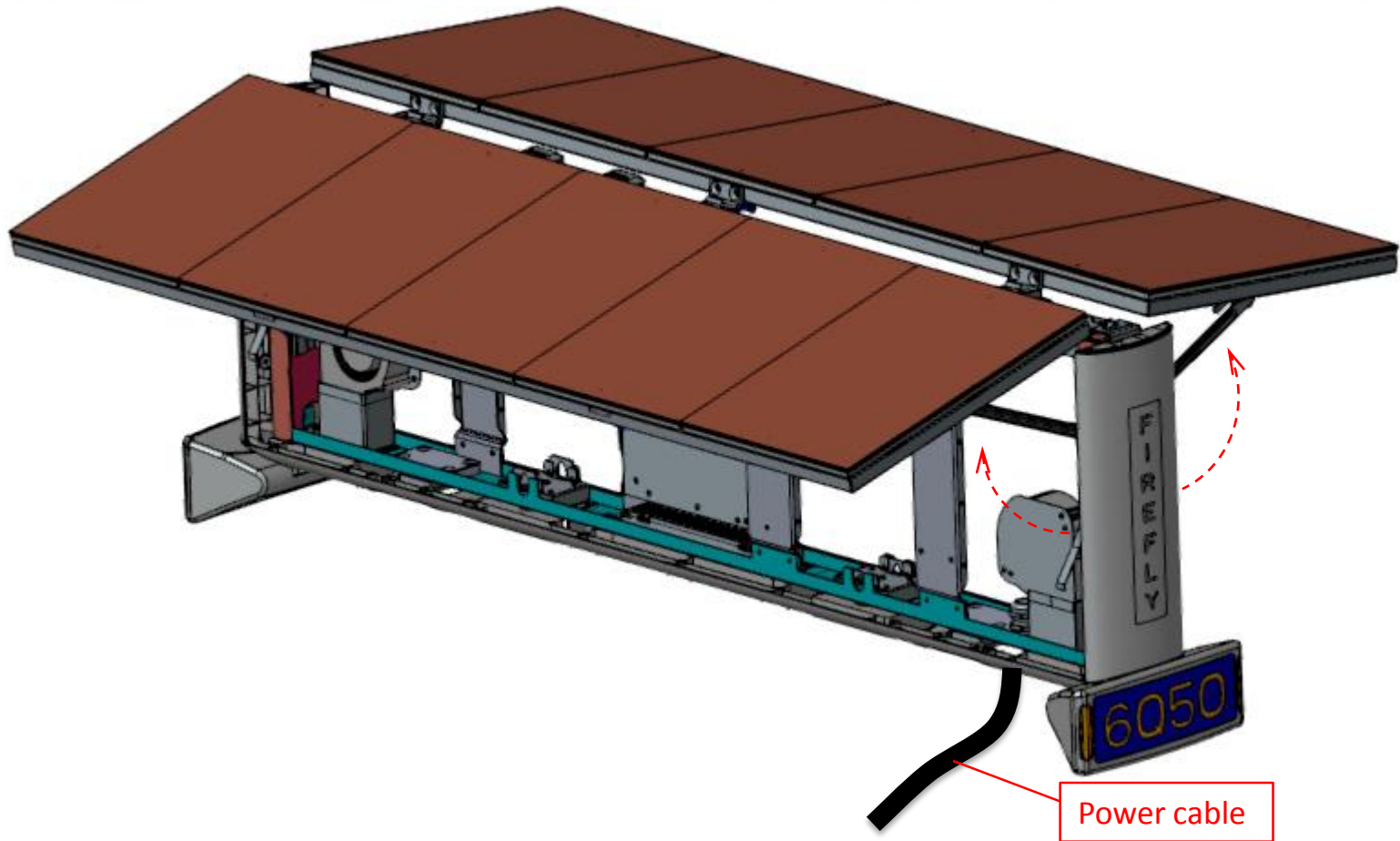


## 07 – Flip up LED panel modules (both sides)

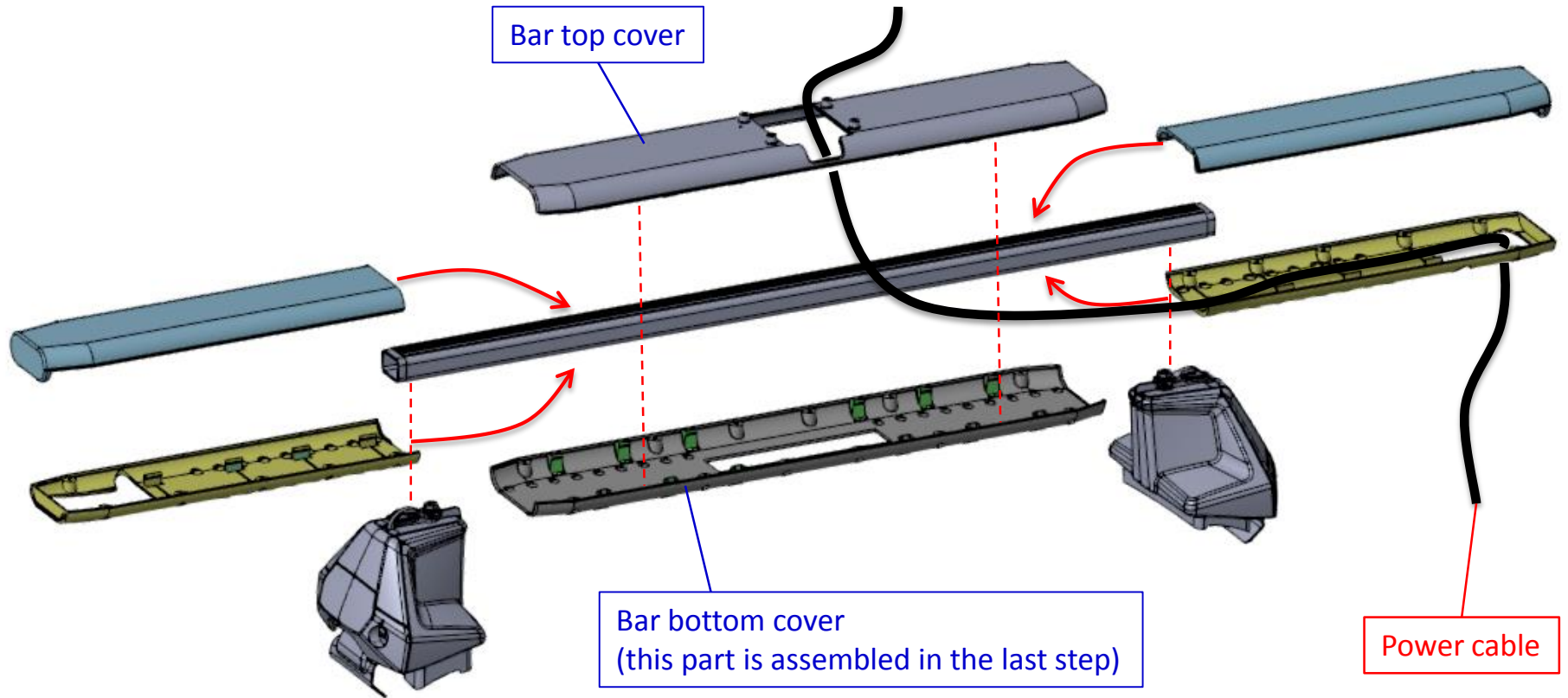




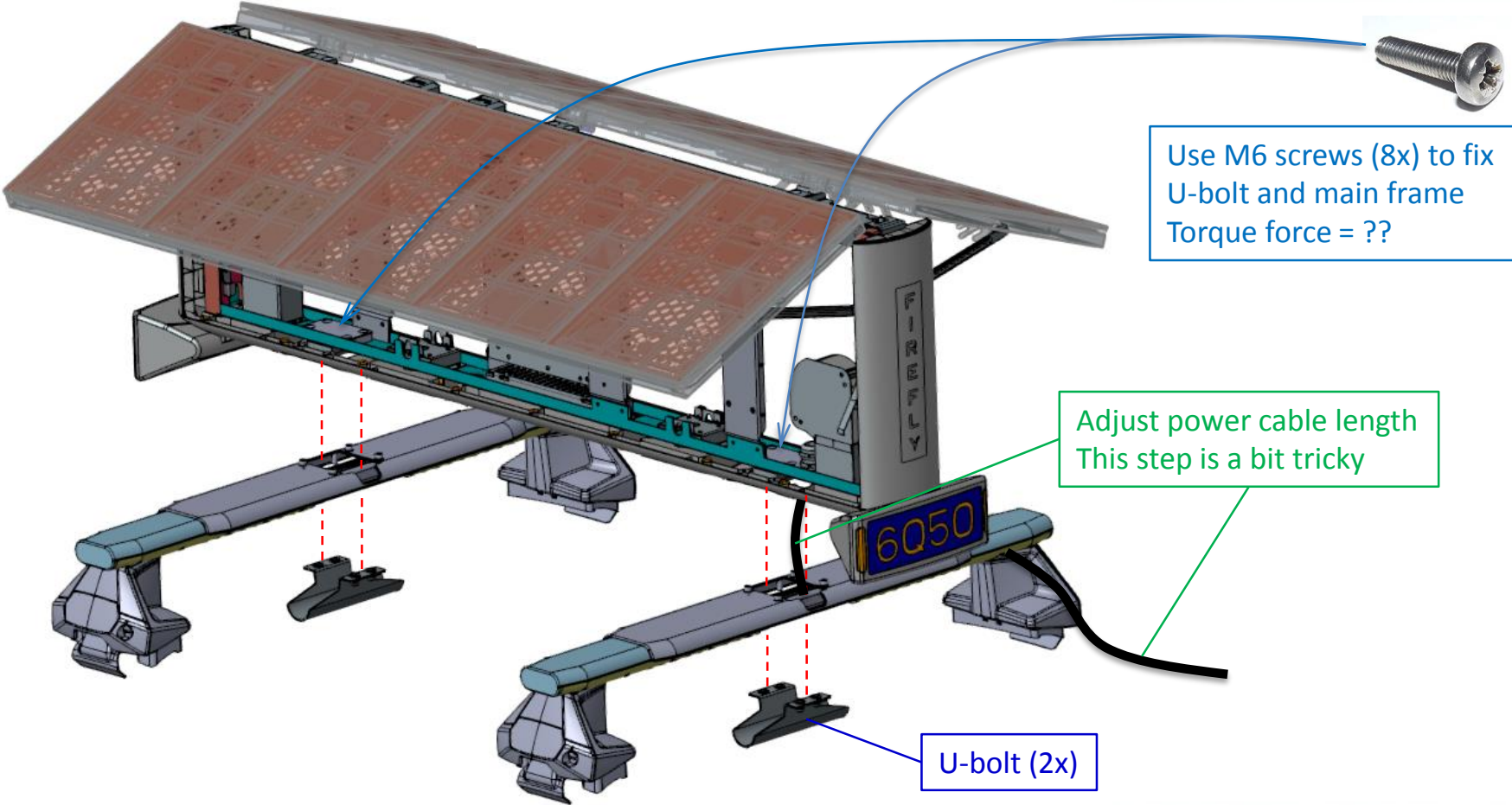
## 08 – Flip up supporting rods at both sides to support LED panel modules (4x)



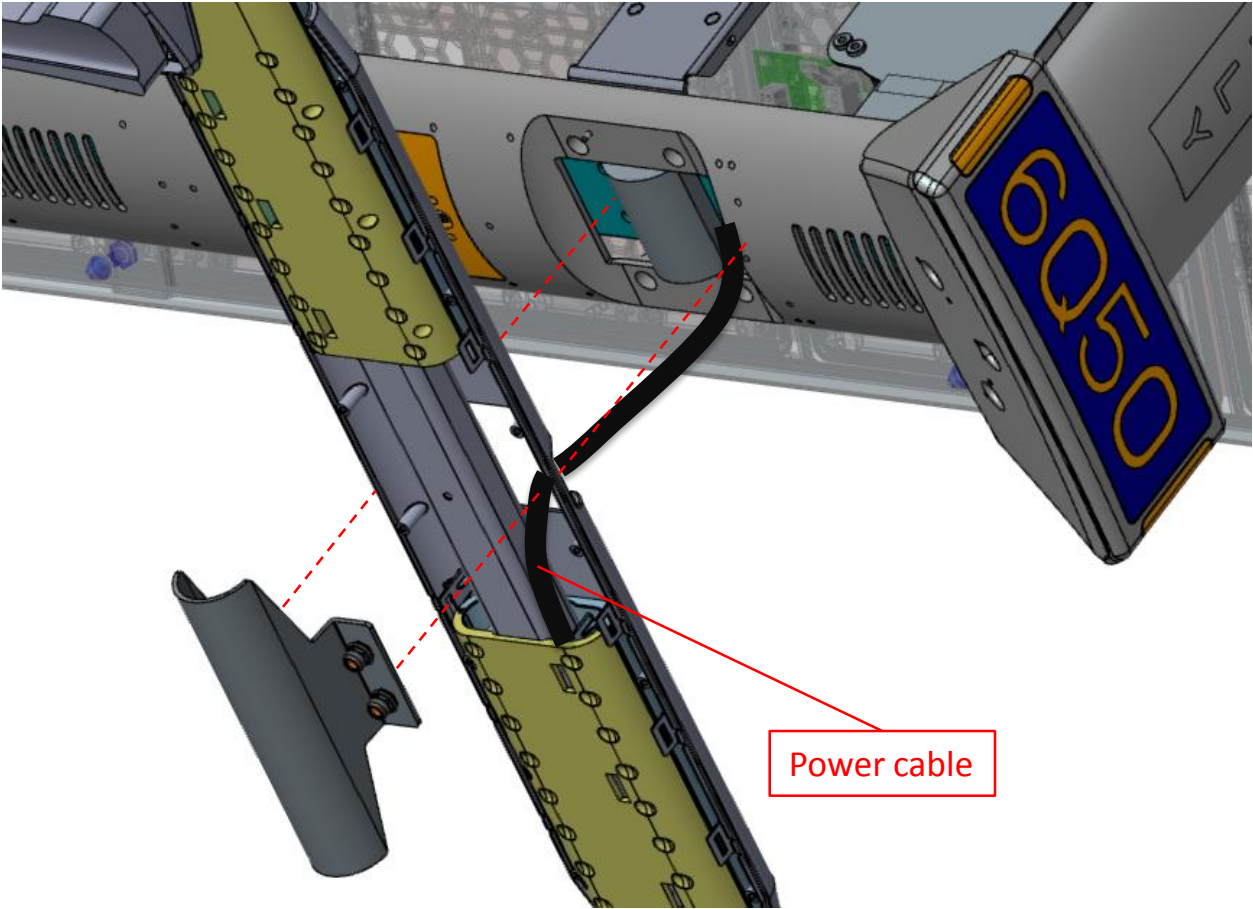
## 09 – Thule bar cover assembly explode view and power cable routing



# 10 – Locate & fix Firefly unit onto car roof (No bar bottom cover in this step)

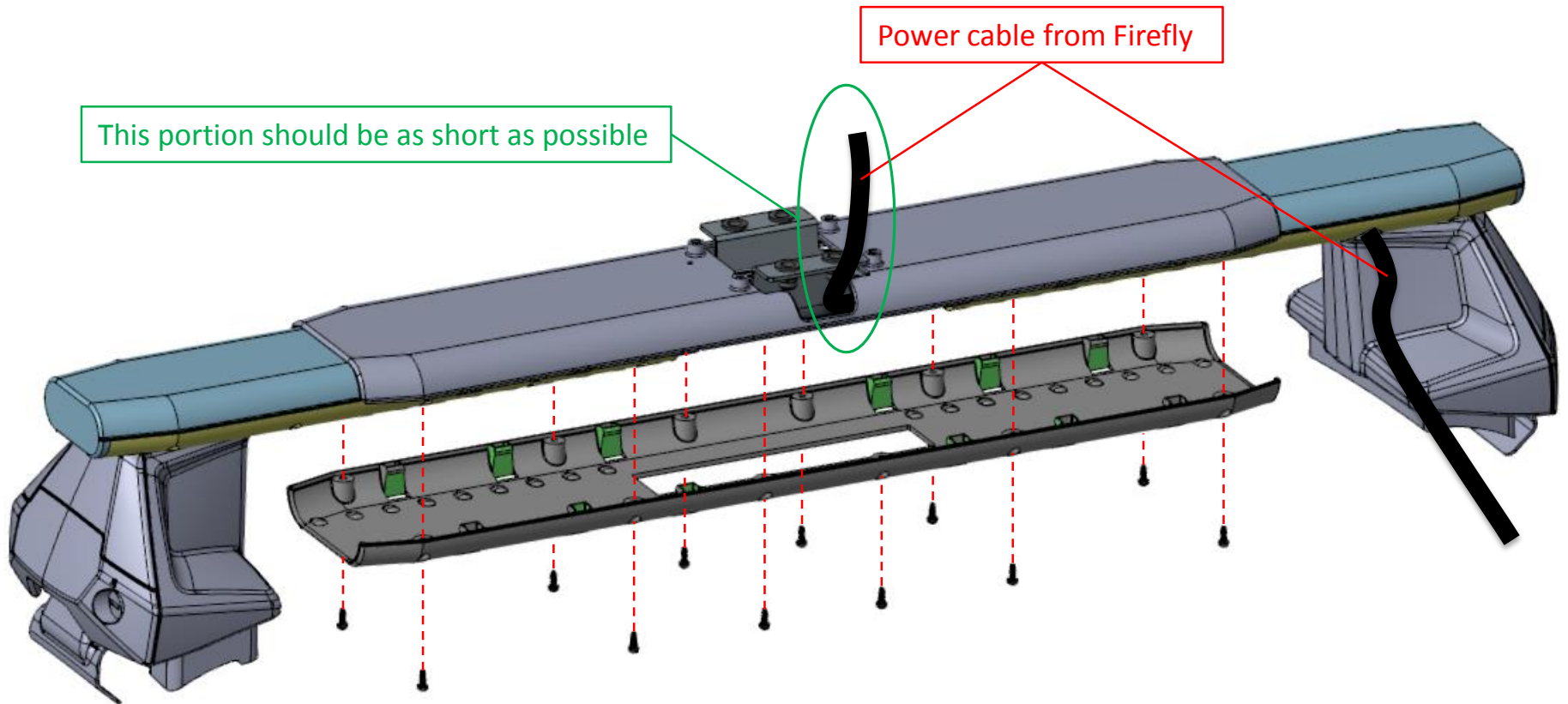


11 – Bottom view of Firefly unit assembly (No bar bottom cover in this step)



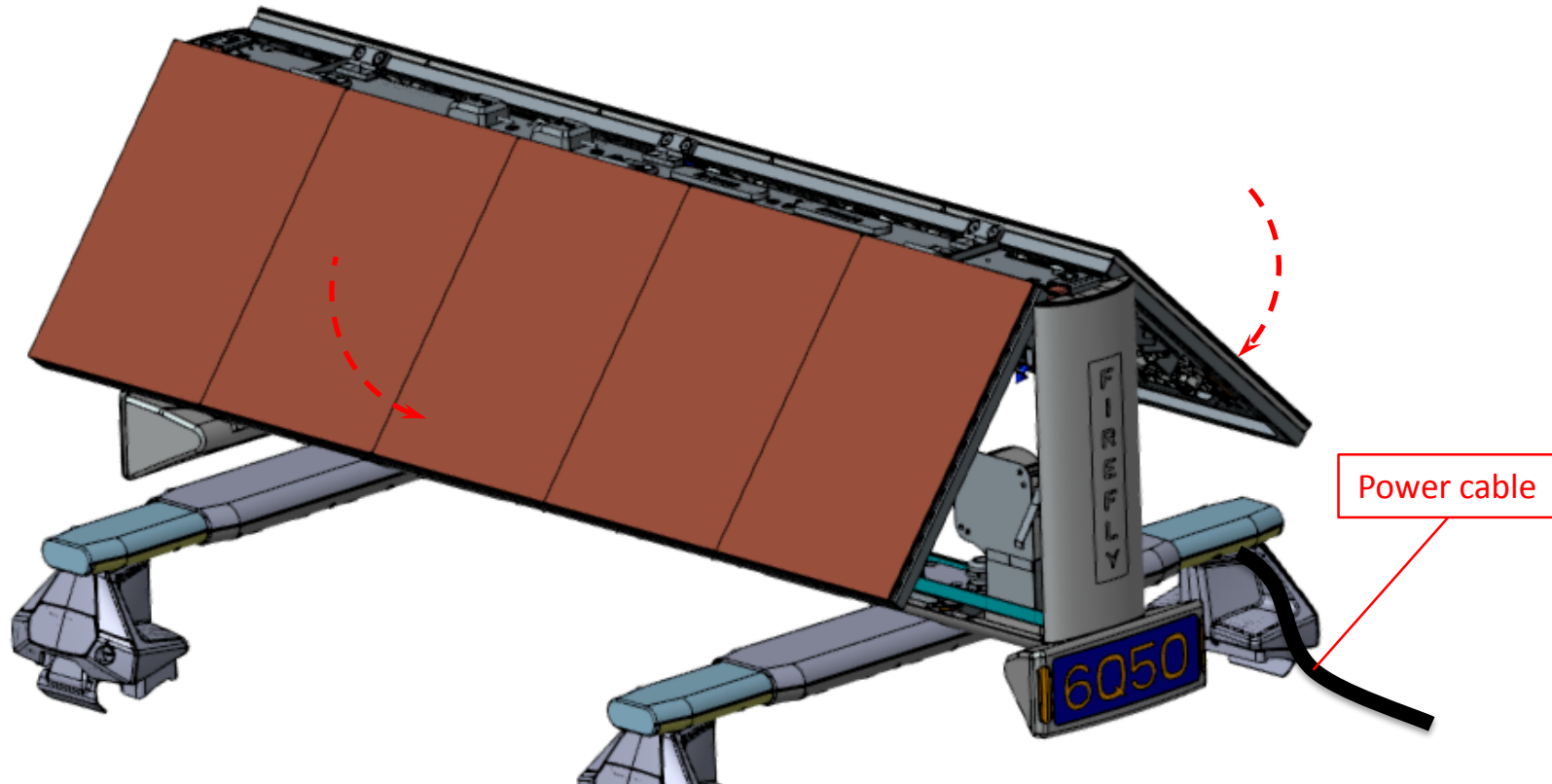


## 12 – Thule bar cover assembly and cable routing



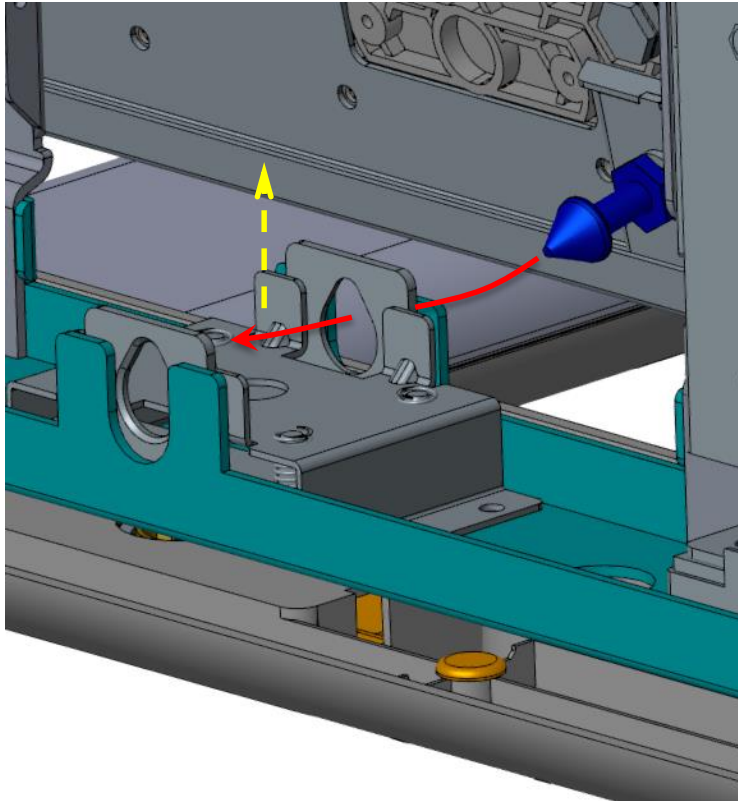
After power cable length is adjusted, snap bar bottom cover onto top cover and fix them with M3 self-tapping screws (12x)

## 13 – Flip down LED panel modules (both sides)

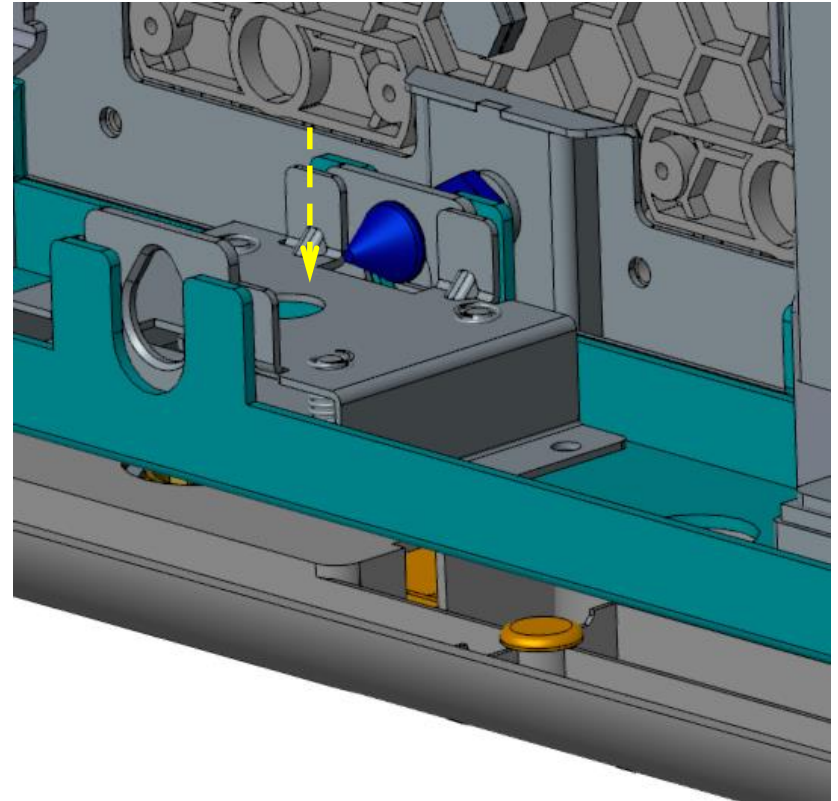


Flip down the LED panel modules and push them hard enough until they locked on locking mechanism (Hear the “Click” sound to make sure the panels are locked, see next side for detail description)

## 14 – Locking mechanism (both sides)

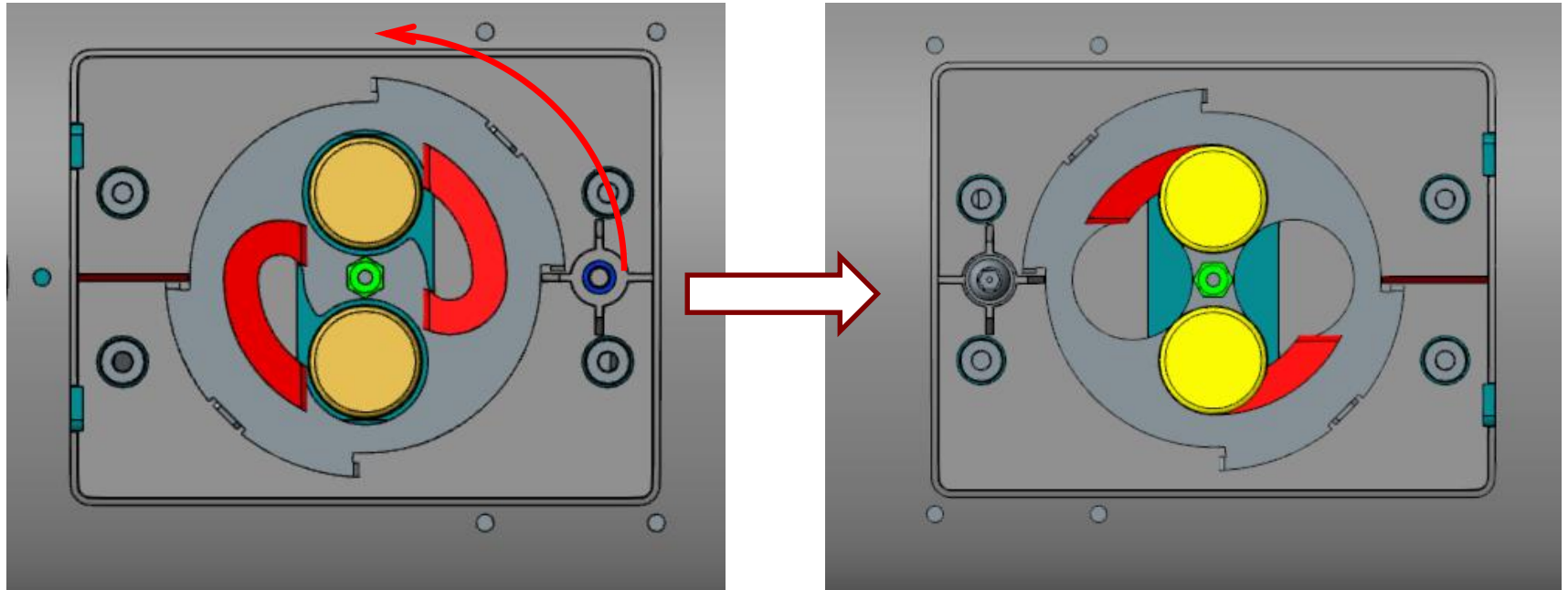


Bracket is pushed up by pin when inserting



Pin is locked by bracket when it is fully inserted

## 15 - Turn the button constrain mechanism 90° counter-clock-wise



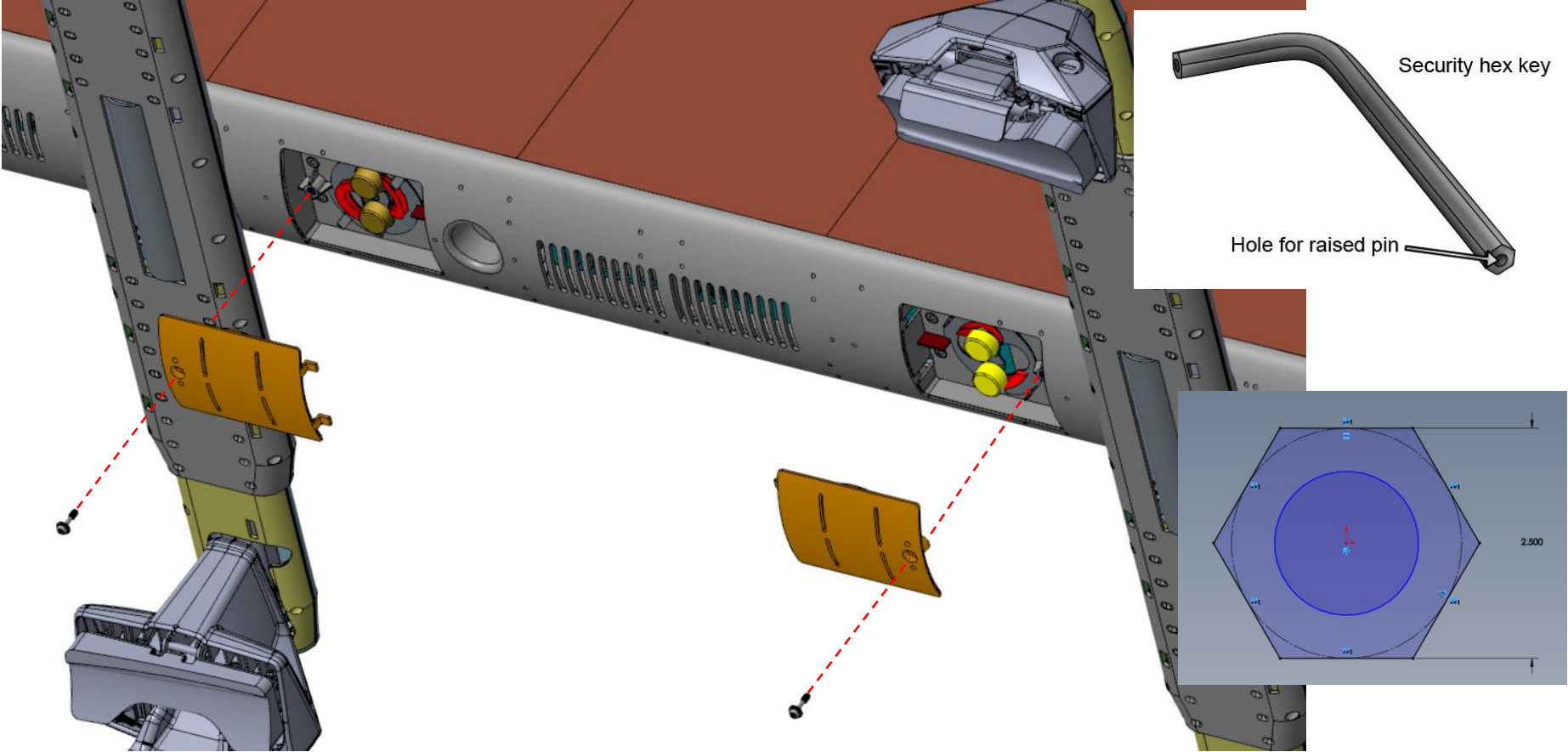
Mechanism at release state

Mechanism at lock state

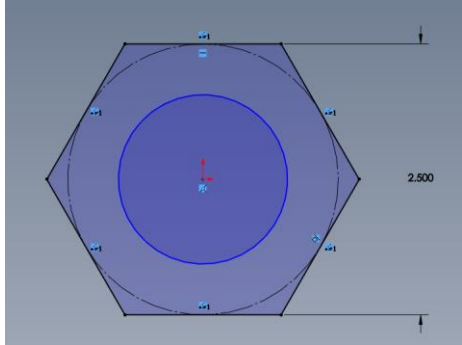
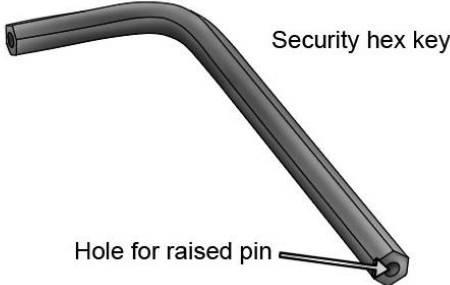
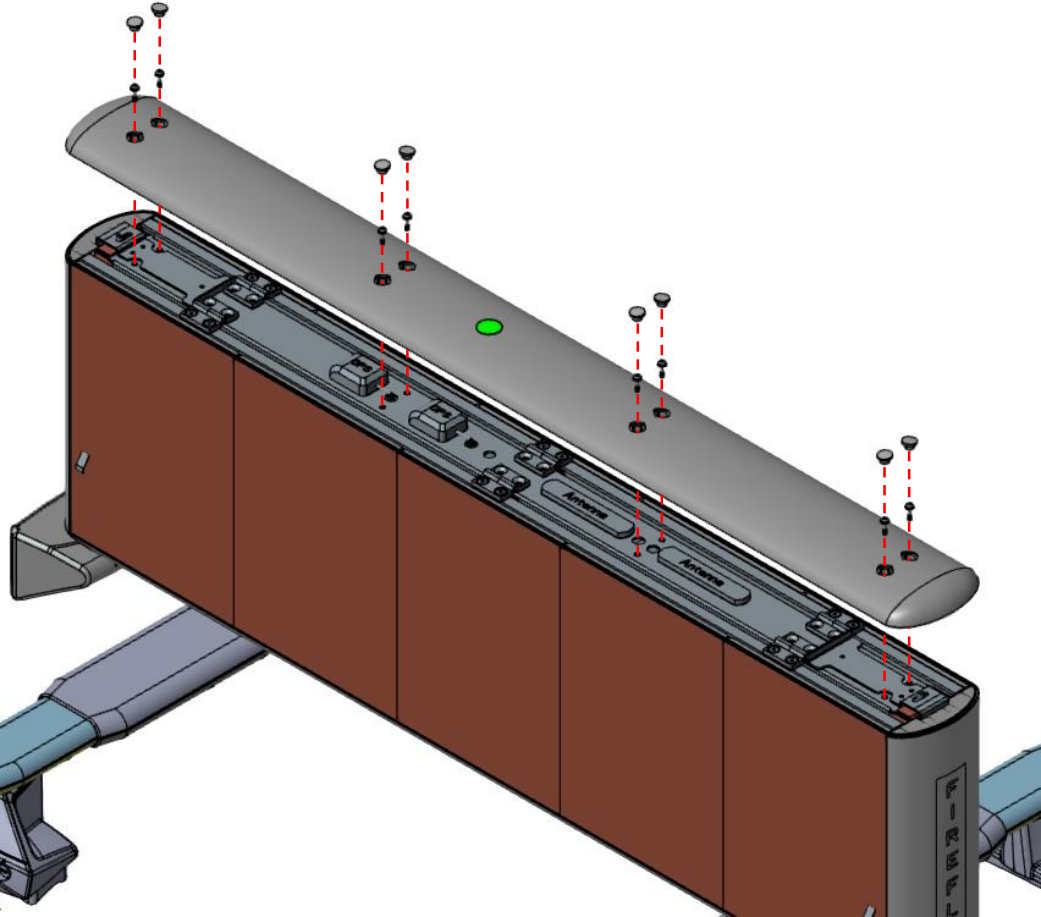
P.S. Only when the mechanism is at lock state, the button cover can be assembled back without any interference



# 16 – Assemble the button cover back (Reverse step of step – 04)

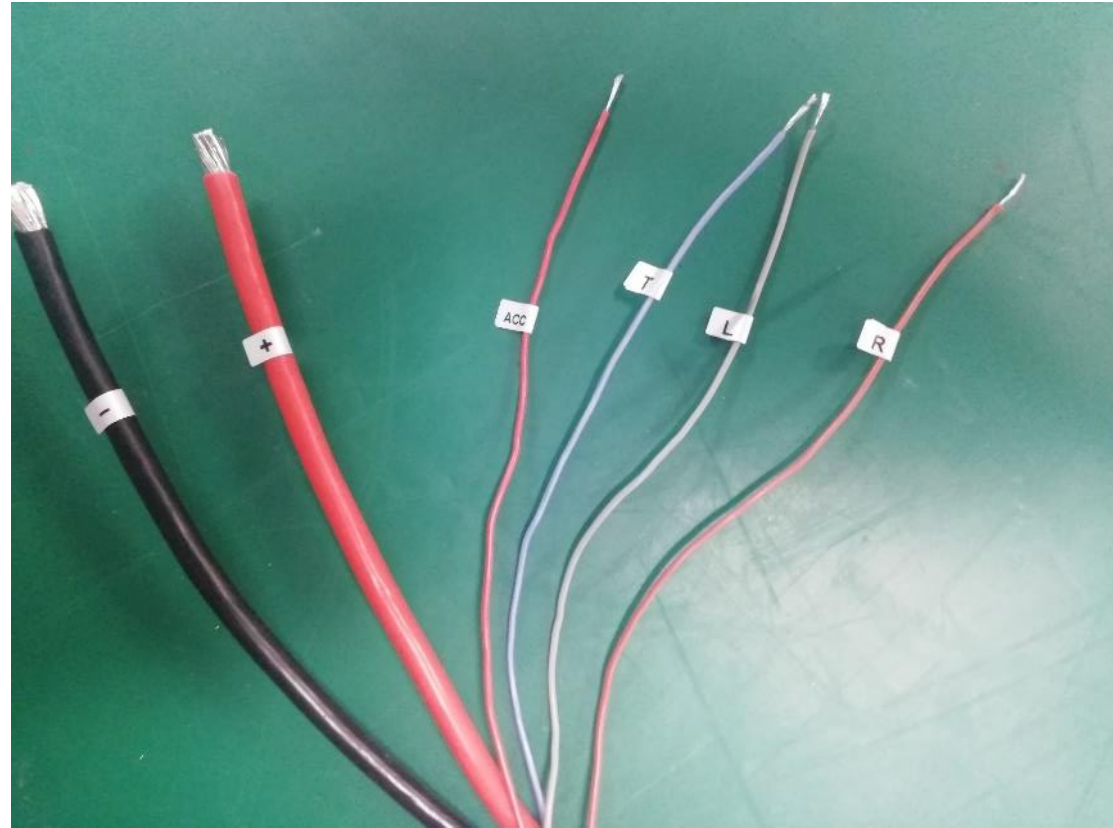


# 17 – Assemble the top cover back (Reverse step of step – 02 & 03)



## 18 – Power cable terminal connection indication

1. ACC (light RED) : Ignite switch
2. T (light BLUE) : Taxi medallion backlit
3. L (light GREY) : Left directional light
4. R (dark RED) : Right directional light
5. + (Thick, RED) : Main power cable
6. - (Thick, BLACK) : Ground cable



LED Roof Display is integrated with a smart controller system. Equipped with a high-resolution and high-brightness smart LED panel, the panel communicates regularly with a fixed commuter audience every day, and the interaction on the street will appreciate the value of your advertising.

The main structure uses high quality materials and parts to ensure stability in the moving environment. Intelligent circuit design and power connections as well as overvoltage and overcurrent protection features ensure the highest performance of LED panels and the entire system.

The smart module of Model FF-CDP001-P2 (Model name), It supports a Triple-band UMTS (B2,B4,B5) HSDPA(Category 24), HSUPA(Category 6), LTE Band 2/4/5/7/12/13/17, Release 10,Cat 4 and not support CA, also supports IEEE 802.11b/g/n, GPS, GPS's operating frequency is 1575.42MHz.

Module use Qualcomm's MSM8909 chip which include Digital Baseband controller, Analog Baseband controller and Modem Processing subsystems.

**FCC Statement:**

Any Changes or modifications not expressly approved by the party responsible for compliance could void the user's authority to operate the equipment.

This device complies with part 15 of the FCC Rules. Operation is subject to the following two conditions: (1) This device may not cause harmful interference, and (2) this device must accept any interference received, including interference that may cause undesired operation.

**FCC Radiation Exposure Statement:**

This equipment complies with FCC radiation exposure limits set forth for an uncontrolled environment. This equipment should be installed and operated with minimum distance 20cm between the radiator & your body.

**Note:** This equipment has been tested and found to comply with the limits for a Class B digital device, pursuant to part 15 of the FCC Rules. These limits are designed to provide reasonable protection against harmful interference in a residential installation. This equipment generates, uses and can radiate radio frequency energy and, if not installed and used in accordance with the instructions, may cause harmful interference to radio communications. However, there is no guarantee that interference will not occur in a particular installation. If this equipment does cause harmful interference to radio or television reception, which can be determined by turning the equipment off and on, the user is encouraged to try to correct the interference by one or more of the following measures:

- Reorient or relocate the receiving antenna.
- Increase the separation between the equipment and receiver.
- Connect the equipment into an outlet on a circuit different from that to which the receiver is connected.
- Consult the dealer or an experienced radio/TV technician for help.