

RADIO TEST REPORT

FCC ID: 2AX5VFIACHC1

Product: Heat and CO alarm
Trade Mark: AJAX
Model No.: FP2.ACHC.J-000-NA
Family Model: N/A
Report No.: S23110611209002

Prepared for

AJAX SYSTEMS CYPRUS HOLDINGS LTD
Ifigeneias, 17, Strovolos, 2007, Nicosia, Cyprus

Prepared by

Shenzhen NTEK Testing Technology Co., Ltd.
1/F, Building E, Fenda Science Park, Sanwei Community,
Xixiang Street Bao'an District, Shenzhen 518126 P.R. China
Tel. 400-800-6106, 0755-2320 0050, 0755-2320 0090
Website:<http://www.ntek.org.cn>

TEST RESULT CERTIFICATION

Applicant's name : AJAX SYSTEMS CYPRUS HOLDINGS LTD
Address : Ifigeneias, 17, Strovolos, 2007, Nicosia, Cyprus
Manufacturer's Name : "AJAX SYSTEMS MANUFACTURING" LIMITED LIABILITY COMPANY
Address : Sklyarenka, 5, Kyiv, 04073, Ukraine
Factory (1) : "AJAX SYSTEMS MANUFACTURING" LIMITED LIABILITY COMPANY
Address : Sklyarenka, 5, Kyiv, 04073, Ukraine
Factory (2) : "AJAX TURKEY ELEKTRONİK TİCARET" ANONİM ŞİRKETİ
Address : Aydınlı Sb Mah. 4.Sk. Desbaş 6 Blok No: 4 İc Kapi No: Z01 Tuzla / İstanbul

Product description

Product name : Heat and CO alarm
Model and/or type reference : FP2.ACHC.J-000-NA
Family Model : N/A
Test Sample Number : S231106112009

Standards : FCC Part15.249

Test procedure : ANSI C63.10-2013

This device described above has been tested by NTEK, and the test results show that the equipment under test (EUT) is in compliance with the FCC requirements. And it is applicable only to the tested sample identified in the report.

This report shall not be reproduced except in full, without the written approval of NTEK, this document may be altered or revised by NTEK, personnel only, and shall be noted in the revision of the document.

Date of Test :

Date (s) of performance of tests : Nov 06, 2023~ Feb 23, 2024

Date of Issue : Feb 23, 2024

Test Result : Pass

Prepared By : Gavan Zhang (Project Engineer)

Reviewed By : Aaron Cheng (Supervisor)

Approved By : Alex Li (Manager)

Table of Contents	Page
1 . SUMMARY OF TEST RESULTS	5
1.1 TEST FACILITY	6
1.2 MEASUREMENT UNCERTAINTY	6
2 . GENERAL INFORMATION	7
2.1 GENERAL DESCRIPTION OF EUT	7
2.2 DESCRIPTION OF TEST MODES	8
2.3 BLOCK DIGRAM SHOWING THE CONFIGURATION OF SYSTEM TESTED	9
2.4 DESCRIPTION OF SUPPORT UNITS (CONDUCTED MODE)	10
2.5 EQUIPMENTS LIST FOR ALL TEST ITEMS	11
3 . ANTENNA REQUIREMENT	13
3.1 STANDARD REQUIREMENT	13
3.2 EUT ANTENNA	13
3.3 CONDUCTED EMISSION MEASUREMENT	14
3.3.1 POWER LINE CONDUCTED EMISSION LIMITS	14
3.3.2 TEST PROCEDURE	15
3.3.3 DEVIATION FROM TEST STANDARD	15
3.3.4 TEST SETUP	15
3.3.5 TEST RESULT	16
3.4 RADIATED EMISSION MEASUREMENT	18
3.4.1 RADIATED EMISSION LIMITS	18
3.4.2 TEST PROCEDURE	19
3.4.3 DEVIATION FROM TEST STANDARD	19
3.4.4 TEST RESULTS (BELOW 30MHZ)	21
3.4.5 TEST RESULTS (BELOW 1000 MHZ)	22
3.4.6 TEST RESULTS (ABOVE 1000 MHZ)	24
3.4.7 TEST RESULTS (RESTRICTED BANDS REQUIREMENTS)	26
4. BANDWIDTH TEST	28
4.1 TEST PROCEDURE	28
4.2 DEVIATION FROM STANDARD	28
4.3 TEST SETUP	28
4.4. TEST RESULTS	29

Revision History

Report No.	Version	Description	Issued Date
S23110611209002	Rev.01	Initial issue of report	Feb 23, 2024

1. SUMMARY OF TEST RESULTS

Test procedures according to the technical standards:

FCC Part15, Subpart C (15.249)			
Standard Section	Test Item	Judgment	Remark
15.207	Conducted Emission	Pass	
15.203	Antenna Requirement	Pass	
15.249 15.209	Radiated Spurious Emission	Pass	
15.249(2)	Frequency Tolerance	Pass	
15.249(a)	Fundamental Measurement	Pass	
15.205	Band Edge Emission	Pass	
15.215	Occupied Bandwidth	Pass	

1.1 TEST FACILITY

Shenzhen NTEK Testing Technology Co., Ltd
 Add. : 1/F, Building E, Fenda Science Park, Sanwei Community, Xixiang Street, Bao'an District, Shenzhen 518126 P.R. China.
 FCC FRN Registration No.:463705; IC Registration No.:9270A-1
 CNAS Registration No.:L5516


1.2 MEASUREMENT UNCERTAINTY

The reported uncertainty of measurement $y \pm U$, where expanded uncertainty U is based on a standard uncertainty multiplied by a coverage factor of $k=2$, providing a level of confidence of approximately **95 %**.

No.	Item	Uncertainty
1	Conducted Emission Test	$\pm 1.38\text{dB}$
2	RF power,conducted	$\pm 0.16\text{dB}$
3	Spurious emissions,conducted	$\pm 0.21\text{dB}$
4	All emissions,radiated(<1G)	$\pm 4.68\text{dB}$
5	All emissions,radiated(>1G)	$\pm 4.89\text{dB}$
6	Temperature	$\pm 0.5^{\circ}\text{C}$
7	Humidity	$\pm 2\%$

2. GENERAL INFORMATION

2.1 GENERAL DESCRIPTION OF EUT

Product Feature and Specification	
Equipment	Heat and CO alarm
Trade Mark	
FCC ID	2AX5VFIACHC1
Model No.	FP2.ACHC.J-000-NA
Family Model	N/A
Model Difference	N/A
Operating Frequency	926MHz
Modulation	GFSK
Number of Channels	1 Channels
Antenna Type	Inverted-F antenna
Antenna Gain	-2 dBi
Battery	DC 3V, 1600mAh
Power supply	AC 110–240V, 50/60Hz, 0.015A or Back-up 1 battery CR 2/3, 3V
HW Version	EM4.220.MBR.001v4
FW version	NA
SW Version	5.xx

Note:

1. For a more detailed features description, please refer to the manufacturer's specifications or the User's Manual.
- 2.

Channel	Frequency(MHz)
01	926.00

2.2 DESCRIPTION OF TEST MODES

To investigate the maximum EMI emission characteristics generates from EUT, the test system was pre-scanning tested base on the consideration of following EUT operation mode or test configuration mode which possible have effect on EMI emission level. Each of these EUT operation mode(s) or test configuration mode(s) mentioned above was evaluated respectively.

Pretest Mode	Description
Mode 1	CH01(926MHz)

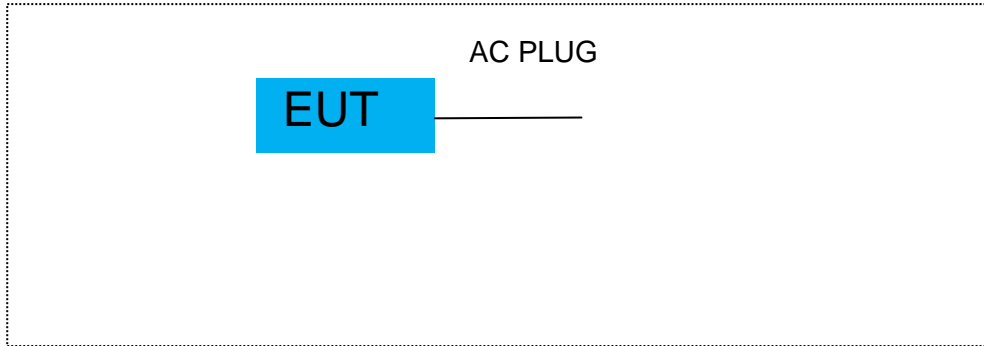
For AC Conducted Emission	
Pretest Mode	Description
Mode 1	CH01(926MHz)

For Radiated Spurious Emission	
Pretest Mode	Description
Mode 1	CH01(926MHz)

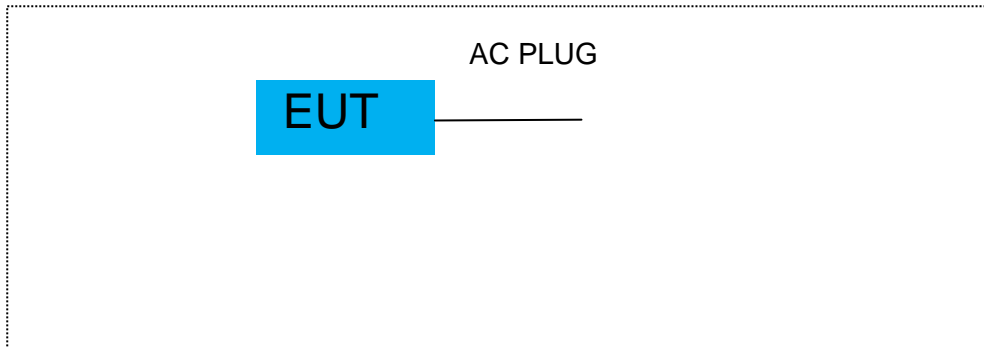
For Conducted Emission	
Final Test Mode	Description
Mode 1	CH01(926MHz)

2.3 BLOCK DIGRAM SHOWING THE CONFIGURATION OF SYSTEM TESTED

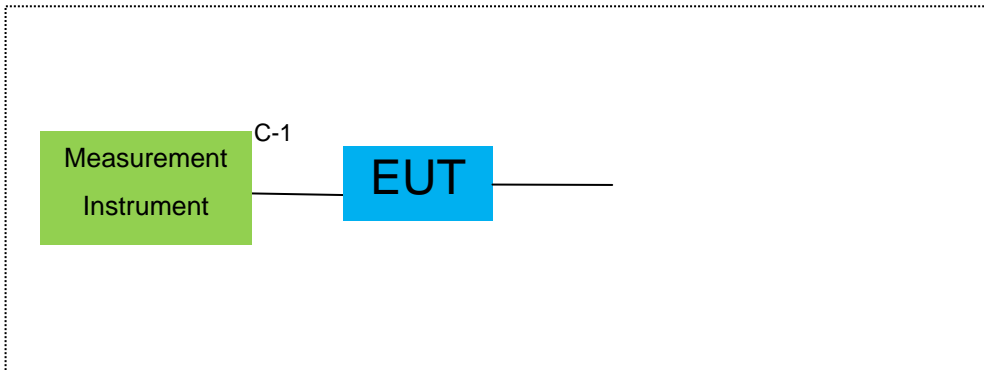
For AC Conducted Emission Mode



For Radiated Test Cases



For Conducted Test Cases



2.4 DESCRIPTION OF SUPPORT UNITS (CONDUCTED MODE)

The EUT has been tested as an independent unit together with other necessary accessories or support units. The following support units or accessories were used to form a representative test configuration during the tests.

Item	Equipment	Model/Type No.	Series No.	Note
EUT	Heat and CO alarm	FP2.ACHC.J-000-NA	N/A	

Item	Cable Type	Shielded Type	Ferrite Core	Length	Note
C-1	RF Cable	NO	NO	0.1m	

Note:

- (1) The support equipment was authorized by Declaration of Confirmation.
- (2) For detachable type I/O cable should be specified the length in cm in 『Length』 column.

2.5 EQUIPMENTS LIST FOR ALL TEST ITEMS

Radiation& Conducted Test equipment

Item	Kind of Equipment	Manufacturer	Type No.	Serial No.	Last calibration	Calibrated until	Calibration period
1	Spectrum Analyzer	Agilent	E4440A	MY41000130	2023.03.27	2024.03.26	1 year
2	Spectrum Analyzer	Agilent	N9020A	MY49100060	2023.05.29	2024.05.28	1 year
3	Spectrum Analyzer	R&S	FSV40	101417	2023.05.29	2024.05.28	1 year
4	Test Receiver	R&S	ESPI7	101318	2023.03.27	2024.03.26	1 year
5	Bilog Antenna	TESEQ	CBL6111D	31216	2023.03.16	2024.03.15	1 year
6	50Ω Coaxial Switch	Anritsu	MP59B	6200983705	2023.05.06	2026.05.05	3 year
7	Horn Antenna	SCHWARZBECK	BBHA 9120 D	2816	2023.01.12	2026.01.11	3 year
8	Broadband Horn Antenna	SCHWARZBECK	BBHA 9170	803	2022.11.07	2025.11.06	3 year
9	Amplifier	EMC	EMC051835 SE	980246	2023.05.29	2024.05.28	1 year
10	Active Loop Antenna	SCHWARZBECK	FMZB 1519 B	055	2023.05.29	2024.05.28	1 year
11	Power Meter	DARE	RPR3006W	15100041SN O84	2023.05.29	2024.05.28	1 year
12	Test Cable (9KHz-30MHz)	N/A	R-01	N/A	2022.06.17	2025.06.16	3 year
13	Test Cable (30MHz-1GHz)	N/A	R-02	N/A	2022.06.17	2025.06.16	3 year
14	High Test Cable(1G-40G Hz)	N/A	R-03	N/A	2022.06.17	2025.06.16	3 year
15	Filter	TRILTHIC	2400MHz	29	2023.03.26	2026.03.25	3 year
16	temporary antenna connector (Note)	NTS	R001	N/A	N/A	N/A	N/A

Note:

We will use the temporary antenna connector (soldered on the PCB board) When conducted test
And this temporary antenna connector is listed within the instrument list

AC Conduction Test equipment

Item	Kind of Equipment	Manufacturer	Type No.	Serial No.	Last calibration	Calibrated until	Calibration period
1	Test Receiver	R&S	ESCI	101160	2023.03.27	2024.03.26	1 year
2	LISN	R&S	ENV216	101313	2023.03.27	2024.03.26	1 year
3	LISN	SCHWARZBECK	NNLK 8129	8129245	2023.03.27	2024.03.26	1 year
4	50Ω Coaxial Switch	ANRITSU CORP	MP59B	6200983704	2023.05.06	2026.05.05	3 year
5	Test Cable (9KHz-30MHz)	N/A	C01	N/A	2023.05.06	2026.05.05	3 year
6	Test Cable (9KHz-30MHz)	N/A	C02	N/A	2023.05.06	2026.05.05	3 year
7	Test Cable (9KHz-30MHz)	N/A	C03	N/A	2023.05.06	2026.05.05	3 year

Note: Each piece of equipment is scheduled for calibration once a year except the Aux Equipment & Test Cable which is scheduled for calibration every 2 or 3 years.

3. ANTENNA REQUIREMENT

3.1 STANDARD REQUIREMENT

15.203 requirement: For intentional device, according to 15.203: an intentional radiator shall be designed to ensure that no antenna other than that furnished by the responsible party shall be used with the device.

3.2 EUT ANTENNA

The EUT antenna is permanent attached . It comply with the standard requirement.

3.3 CONDUCTED EMISSION MEASUREMENT

3.3.1 POWER LINE CONDUCTED EMISSION Limits (Frequency Range 150KHz-30MHz)

FREQUENCY (MHz)	Class A (dBuV)		Class B (dBuV)		Standard
	Quasi-peak	Average	Quasi-peak	Average	
0.15 -0.5			66 - 56 *	56 - 46 *	CISPR
0.50 -5.0			56.00	46.00	CISPR
5.0 -30.0			60.00	50.00	CISPR

0.15 -0.5			66 - 56 *	56 - 46 *	LP002.
0.50 -5.0			56.00	46.00	LP002.
5.0 -30.0			60.00	50.00	LP002.

Note:

- (1) The tighter limit applies at the band edges.
- (2) The limit of " * " marked band means the limitation decreases linearly with the logarithm of the frequency in the range.

The following table is the setting of the receiver

Receiver Parameters	Setting
Attenuation	10 dB
Start Frequency	0.15 MHz
Stop Frequency	30 MHz
IF Bandwidth	9 kHz

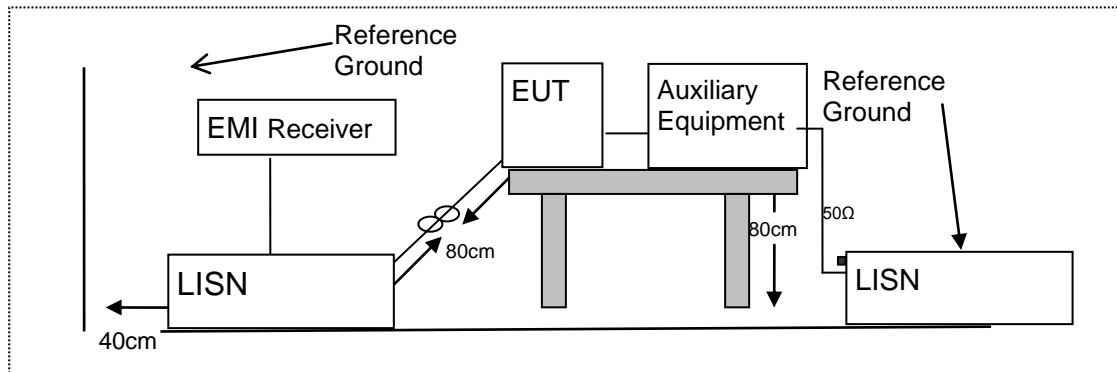
3.3.2 TEST PROCEDURE

- a. The EUT was placed 0.4 meters from the horizontal ground plane with EUT being connected to the power mains through a line impedance stabilization network (LISN). All other support equipments powered from additional LISN(s). The LISN provide 50 Ohm/ 50uH of coupling impedance for the measuring instrument.
- b. Interconnecting cables that hang closer than 40 cm to the ground plane shall be folded back and forth in the center forming a bundle 30 to 40 cm long.
- c. I/O cables that are not connected to a peripheral shall be bundled in the center. The end of the cable may be terminated, if required, using the correct terminating impedance. The overall length shall not exceed 1 m.
- d. LISN at least 80 cm from nearest part of EUT chassis.
- e. For the actual test configuration, please refer to the related Item –EUT Test Photos.

3.3.3 DEVIATION FROM TEST STANDARD

No deviation

3.3.4 TEST SETUP



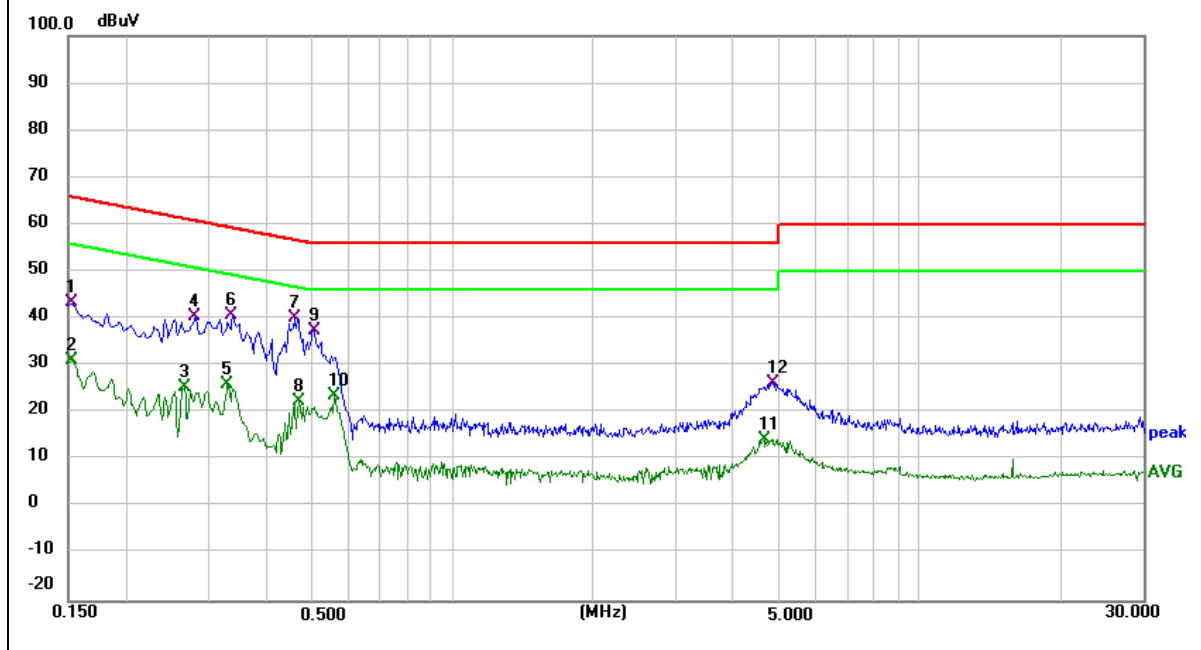
3.3.5 TEST RESULT

EUT :	Heat and CO alarm	Model Name. :	FP2.ACHC.J-000-NA
Temperature :	25 °C	Relative Humidity :	55%
Pressure :	1010hPa	Phase :	L
Test Voltage :	AC 120V/60Hz	Test Mode :	Mode 1

Frequency (MHz)	Reading Level (dBμV)	Correct Factor (dB)	Measure-ment (dBμV)	Limits (dBμV)	Margin (dB)	Remark
0.1539	33.49	9.93	43.42	65.79	-22.37	QP
0.1539	21.32	9.93	31.25	55.79	-24.54	AVG
0.2660	15.14	10.18	25.32	51.24	-25.92	AVG
0.2819	30.29	10.20	40.49	60.76	-20.27	QP
0.3300	15.69	10.30	25.99	49.45	-23.46	AVG
0.3379	30.50	10.32	40.82	59.25	-18.43	QP
0.4580	29.65	10.57	40.22	56.73	-16.51	QP
0.4700	11.73	10.59	22.32	46.51	-24.19	AVG
0.5060	26.81	10.67	37.48	56.00	-18.52	QP
0.5580	12.97	10.77	23.74	46.00	-22.26	AVG
4.6340	4.71	9.67	14.38	46.00	-31.62	AVG
4.8340	16.68	9.67	26.35	56.00	-29.65	QP

Remark:

1. All readings are Quasi-Peak and Average values.
2. Factor = Insertion Loss + Cable Loss.

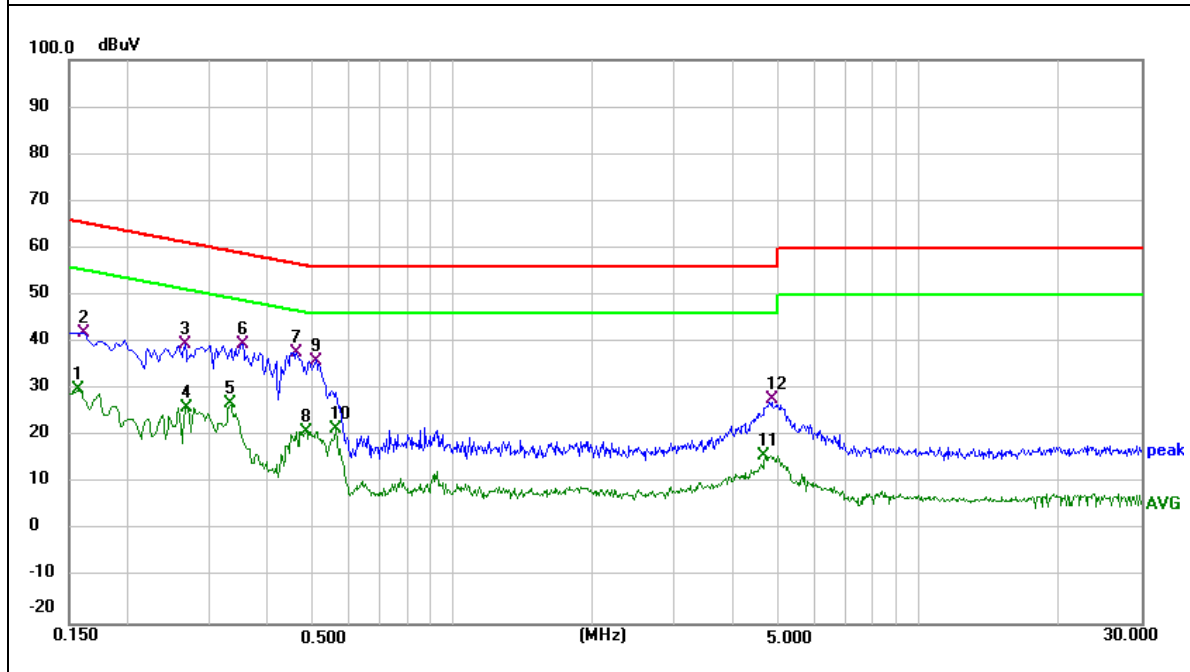


EUT :	Heat and CO alarm	Model Name :	FP2.ACHC.J-000-NA
Temperature :	26 °C	Relative Humidity :	54%
Pressure :	1010hPa	Phase :	N
Test Voltage :	AC 120V/60Hz	Test Mode :	Mode 1

Frequency (MHz)	Reading Level (dBμV)	Correct Factor (dB)	Measurement (dBμV)	Limits (dBμV)	Margin (dB)	Remark
0.1580	20.03	9.95	29.98	55.57	-25.59	AVG
0.1620	32.03	9.95	41.98	65.36	-23.38	QP
0.2660	29.38	10.18	39.56	61.24	-21.68	QP
0.2700	15.94	10.18	26.12	51.12	-25.00	AVG
0.3339	16.73	10.30	27.03	49.35	-22.32	AVG
0.3540	29.31	10.34	39.65	58.87	-19.22	QP
0.4620	27.09	10.57	37.66	56.66	-19.00	QP
0.4860	10.45	10.63	21.08	46.24	-25.16	AVG
0.5100	25.43	10.67	36.10	56.00	-19.90	QP
0.5620	10.68	10.77	21.45	46.00	-24.55	AVG
4.6779	6.28	9.67	15.95	46.00	-30.05	AVG
4.8300	18.17	9.67	27.84	56.00	-28.16	QP

Remark:

1. All readings are Quasi-Peak and Average values.
2. Factor = Insertion Loss + Cable Loss.



3.4 RADIATED EMISSION MEASUREMENT

3.4.1 Radiated Emission Limits (FCC 15.209)

Frequencies (MHz)	Field Strength (micorvolts/meter)	Measurement Distance (meters)
0.009~0.490	2400/F(KHz)	300
0.490~1.705	24000/F(KHz)	30
1.705~30.0	30	30
Frequency (MHz)	Limit (dBuV)	
30~88	40	3
88~216	43.5	3
216~960	46	3
960 -10000	54.00	3
*902 - 928	94.00	3

Note:

- (1) The tighter limit applies at the band edges.
- (2) Emission level (dBuV/m)=20log Emission level (uV/m).
- (3) *Note: This is the limit for the fundamental frequency.

LIMITS OF RADIATED EMISSION MEASUREMENT (FCC 15.249)

Frequency of Emission (MHz)	Field Strength of fundamental ((millivolts /meter)	Field Strength of Harmonics (microvolts/meter)
902-928	50	500

Notes:

- (1) Emissions radiated outside of the specified frequency bands, except for harmonics, shall be attenuated by at least 50 dB below the level of the fundamental or to the general radiated emission limits in Section 15.209, whichever is the lesser attenuation.

Spectrum Parameter	Setting
Attenuation	Auto
Start Frequency	1000 MHz
Stop Frequency	10th carrier harmonic
RB / VB (emission in restricted band)	1MHz / 1MHz for Peak

Receiver Parameter	Setting
Attenuation	Auto
Start ~ Stop Frequency	9kHz~150kHz / RB 200Hz for QP
Start ~ Stop Frequency	150kHz~30MHz / RB 9kHz for QP
Start ~ Stop Frequency	30MHz~1000MHz / RB 120kHz for QP

3.4.2 TEST PROCEDURE

- a. The measuring distance of at 3 m shall be used for measurements at frequency up to 1GHz. For frequencies above 1GHz, any suitable measuring distance may be used.
- b. The EUT was placed on the top of a rotating table 0.8 m for below 1GHz and 1.5m for above 1GHz the ground at a 3 meter. The table was rotated 360 degrees to determine the position of the highest radiation.
- c. The height of the equipment or of the substitution antenna shall be 0.8 m for below 1GHz and 1.5m for above 1GHz; the height of the test antenna shall vary between 1 m to 4 m. Both horizontal and vertical polarizations of the antenna are set to make the measurement.
- d. The initial step in collecting conducted emission data is a spectrum analyzer peak detector mode pre-scanning the measurement frequency range. Significant peaks are then marked and then Quasi Peak detector mode re-measured.
- e. If the Peak Mode measured value compliance with and lower than Quasi Peak Mode Limit, the EUT shall be deemed to meet QP Limits and then no additional QP Mode measurement performed.
- f. For the actual test configuration, please refer to the related Item –EUT Test Photos.

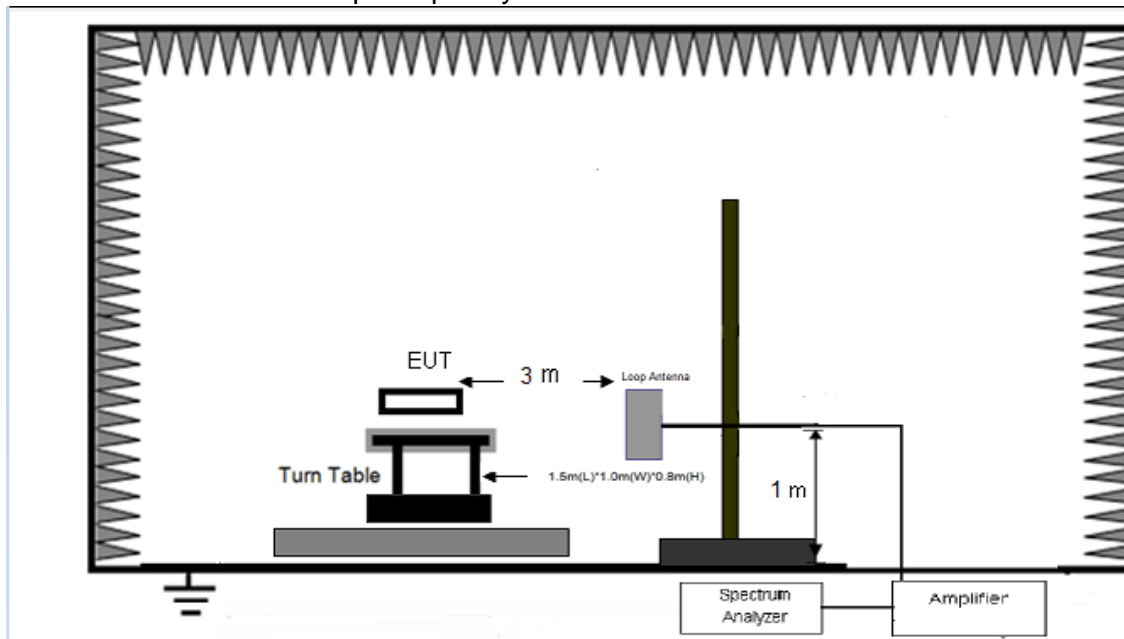
Note:

Both horizontal and vertical antenna polarities were tested and performed pretest to three orthogonal axis. The worst case emissions were reported

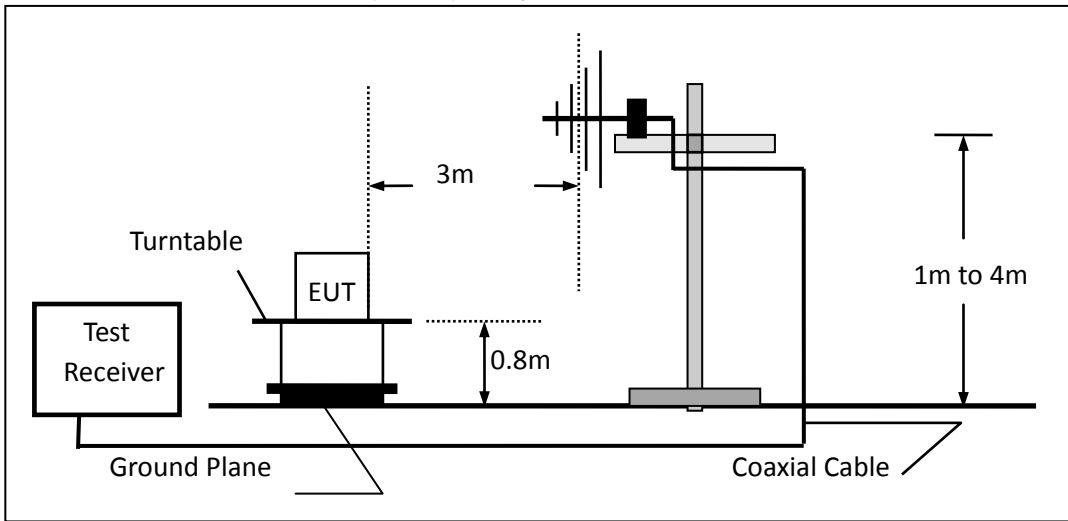
3.4.3 DEVIATION FROM TEST STANDARD

No deviation

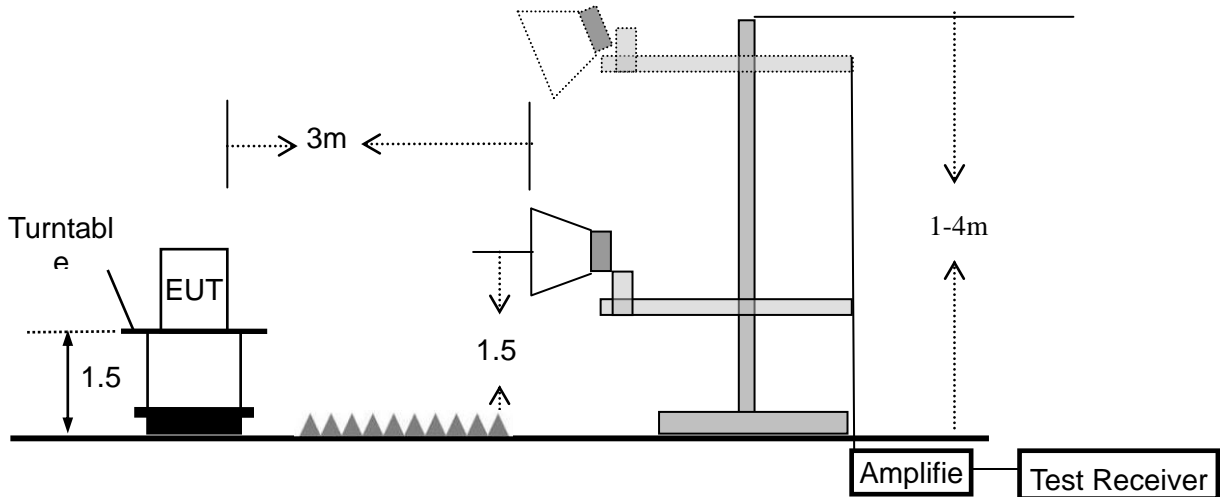
(A) Radiated Emission Test-Up Frequency Below 30MHz



(B) Radiated Emission Test-Up Frequency 30MHz~1GHz



(C) Radiated Emission Test-Up Frequency Above 1GHz



3.4.4 TEST RESULTS (BELOW 30MHZ)

EUT :	Heat and CO alarm	Model Name. :	FP2.ACHC.J-000-NA
Temperature :	20 °C	Relative Humidity :	48%
Pressure :	1010 hPa	Test Voltage :	DC 3V
Test Mode :	TX	Polarization :	--

Freq.	Reading	Limit	Margin	State
(MHz)	(dBuV/m)	(dBuV/m)	(dB)	P/F
--	--	--	--	PASS
--	--	--	--	PASS

Note:

The amplitude of spurious emissions which are attenuated by more than 20dB below the permissible value has no need to be reported.

Remark :1. Emission level in dBuV/m=20 log (uV/m)

2. Measurement was performed at an antenna to the closed point of EUT distance of meters.

3. For Frequency 9kHz~30MHz:

Distance extrapolation factor =40log(Specific distance/ test distance)(dB);

Limit line=Specific limits(dBuV) + distance extrapolation factor.

For Frequency above 30MHz:

Distance extrapolation factor =20log(Specific distance/ test distance)(dB);

Limit line=Specific limits(dBuV) + distance extrapolation factor.

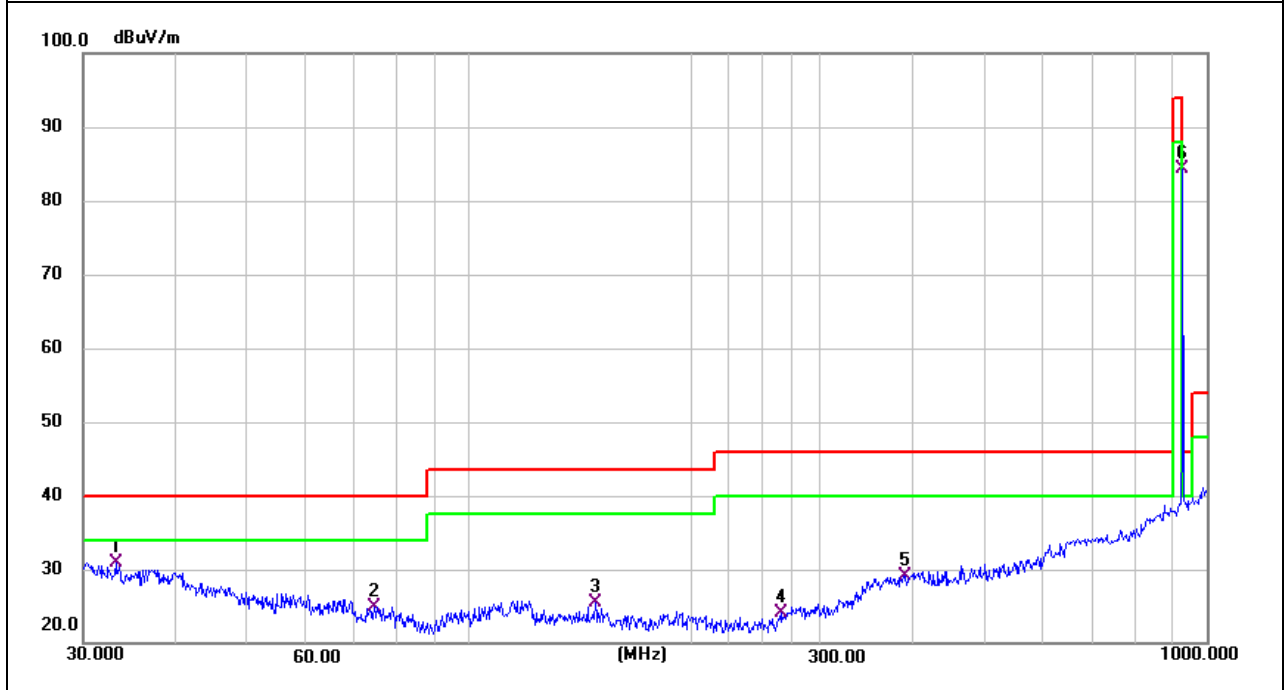
3.4.5 TEST RESULTS (BELOW 1000 MHZ)

EUT :	Heat and CO alarm	Model Name :	FP2.ACHC.J-000-NA
Temperature :	25 °C	Relative Humidity :	51%
Pressure :	1010 hPa	Test Voltage :	DC 3V
Test Mode :	Mode 1-TX-926MHz	Polarization :	Vertical

Frequency (MHz)	Meter Reading (dBμV)	Factor (dB)	Emission Level (dBμV/m)	Limits (dBμV/m)	Margin (dB)	Detector Type
33.2111	6.27	24.56	30.83	40.00	-9.17	QP
74.3953	10.71	14.22	24.93	40.00	-15.07	QP
148.4410	7.04	18.40	25.44	43.50	-18.06	QP
264.7456	4.63	19.50	24.13	46.00	-21.87	QP
390.7225	6.19	23.00	29.19	46.00	-16.81	QP
926.0000	53.20	31.03	84.23	94.00	-9.77	QP

Remark:

1. Factor = Antenna Factor + Cable Loss – Pre-amplifier.

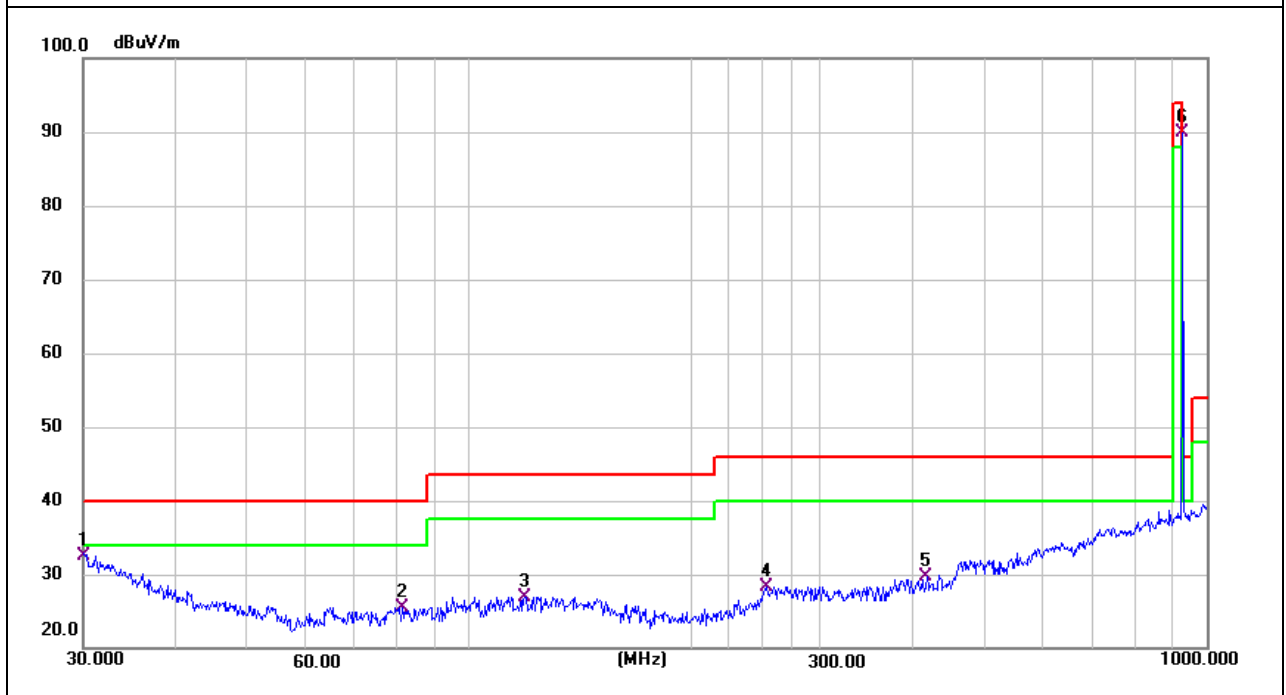


EUT :	Heat and CO alarm	Model Name :	FP2.ACHC.J-000-NA
Temperature :	25 °C	Relative Humidity :	51%
Pressure :	1010 hPa	Test Voltage :	DC 3V
Test Mode :	Mode 1-TX-926MHz	Polarization :	Horizontal

Frequency (MHz)	Meter Reading (dBμV)	Factor (dB)	Emission Level (dBμV/m)	Limits (dBμV/m)	Margin (dB)	Detector Type
30.1051	6.19	26.28	32.47	40.00	-7.53	QP
81.2116	10.08	15.43	25.51	40.00	-14.49	QP
119.0180	8.41	18.58	26.99	43.50	-16.51	QP
252.9481	9.41	18.98	28.39	46.00	-17.61	QP
417.6409	6.06	23.58	29.64	46.00	-16.36	QP
926.0000	58.96	31.03	89.99	94.00	-4.01	QP

Remark:

1. Factor = Antenna Factor + Cable Loss – Pre-amplifier.



3.4.6 TEST RESULTS (ABOVE 1000 MHZ)

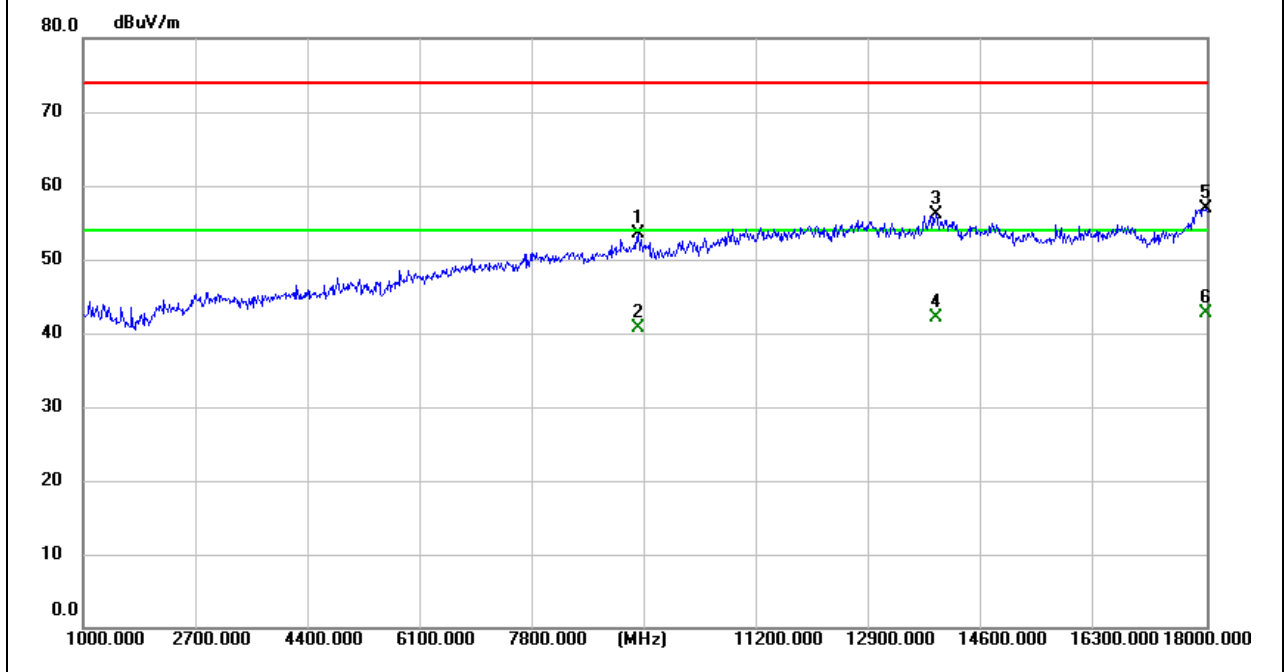
EUT :	Heat and CO alarm	Model Name :	FP2.ACHC.J-000-NA
Temperature :	25 °C	Relative Humidity :	51%
Pressure :	1010 hPa	Test Voltage :	DC 3V
Test Mode :	Mode 1-TX-926MHz	Polarization :	Horizontal

All the modulation modes have been tested, and the worst result was report as below:

Frequency (MHz)	Meter Reading (dBμV)	Factor (dB)	Emission Level (dBμV/m)	Limits (dBμV/m)	Margin (dB)	Detector Type
9398.000	32.25	21.28	53.53	74.00	-20.47	peak
9398.000	19.46	21.28	40.74	54.00	-13.26	AVG
13903.000	30.32	25.76	56.08	74.00	-17.92	peak
13903.000	16.39	25.76	42.15	54.00	-11.85	AVG
17983.000	31.00	25.83	56.83	74.00	-17.17	peak
17983.000	16.94	25.83	42.77	54.00	-11.23	AVG

Remark:

Factor = Antenna Factor + Cable Loss – Pre-amplifier.

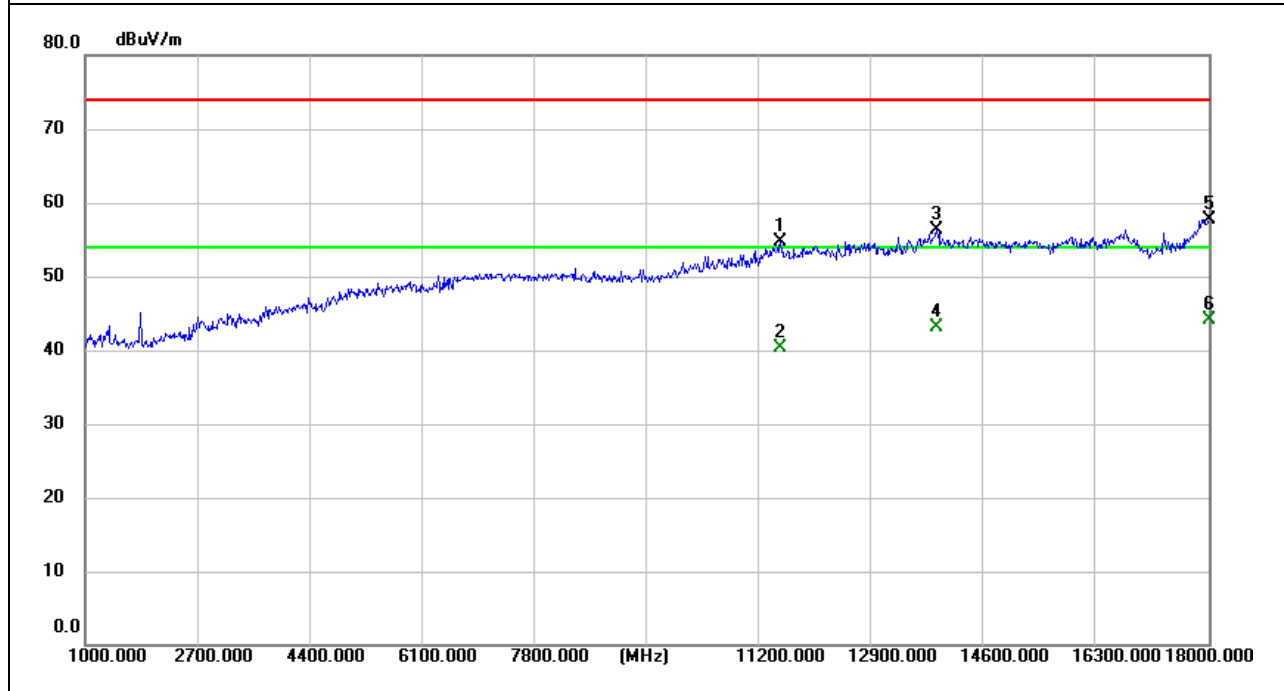


EUT :	Heat and CO alarm	Model Name :	FP2.ACHC.J-000-NA
Temperature :	25 °C	Relative Humidity :	51%
Pressure :	1010 hPa	Test Voltage :	DC 3V
Test Mode :	Mode 1-TX-926MHz	Polarization :	Vertical

Frequency (MHz)	Meter Reading (dBμV)	Factor (dB)	Emission Level (dBμV/m)	Limits (dBμV/m)	Margin (dB)	Detector Type
11523.000	31.07	23.56	54.63	74.00	-19.37	peak
11523.000	16.75	23.56	40.31	54.00	-13.69	AVG
13886.000	30.65	25.74	56.39	74.00	-17.61	peak
13886.000	17.29	25.74	43.03	54.00	-10.97	AVG
18000.000	31.85	25.89	57.74	74.00	-16.26	peak
18000.000	18.16	25.89	44.05	54.00	-9.95	AVG

Remark:

Factor = Antenna Factor + Cable Loss – Pre-amplifier.

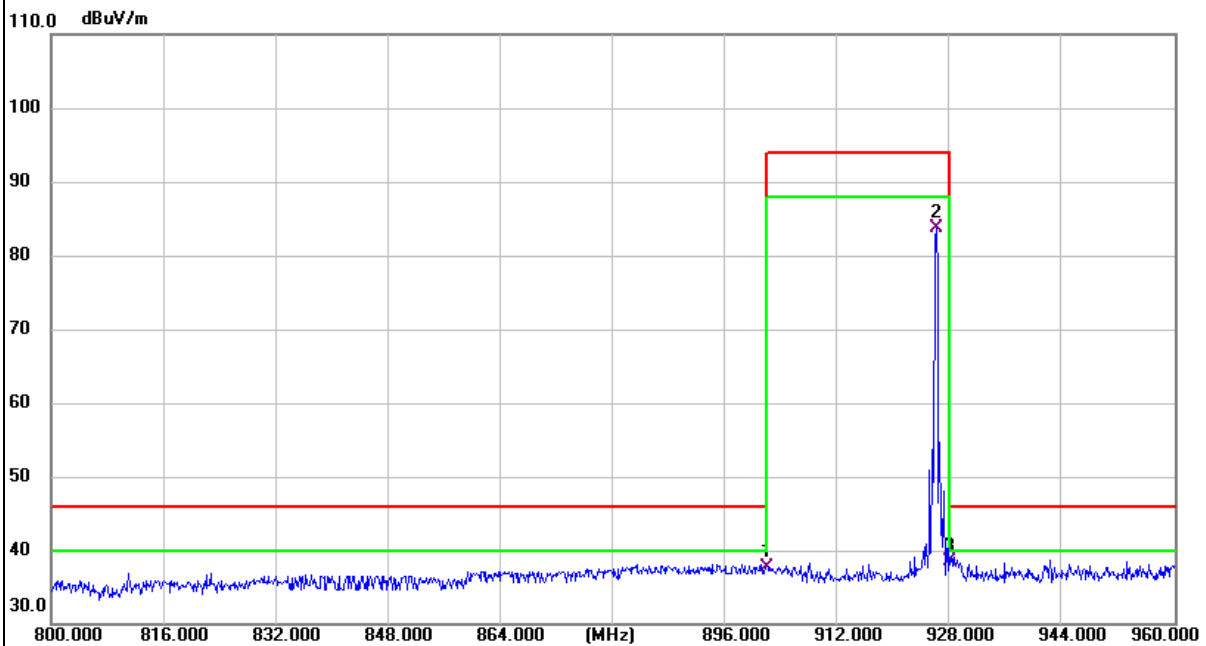


3.4.7 TEST RESULTS (RESTRICTED BANDS REQUIREMENTS)

EUT :	Heat and CO alarm	Model Name :	FP2.ACHC.J-000-NA
Temperature :	25 °C	Relative Humidity :	51%
Pressure :	1010 hPa	Test Voltage :	DC 3V
Test Mode :	Mode1-TX-926MHz	Polarization :	Vertical

Frequency (MHz)	Meter Reading (dBμV)	Factor (dB)	Emission Level (dBμV/m)	Limits (dBμV/m)	Margin (dB)	Detector Type
902.0000	7.02	30.76	37.78	46.00	-8.22	QP
926.0800	52.67	31.03	83.70	94.00	-10.30	QP
928.0000	7.46	31.05	38.51	46.00	-7.49	QP

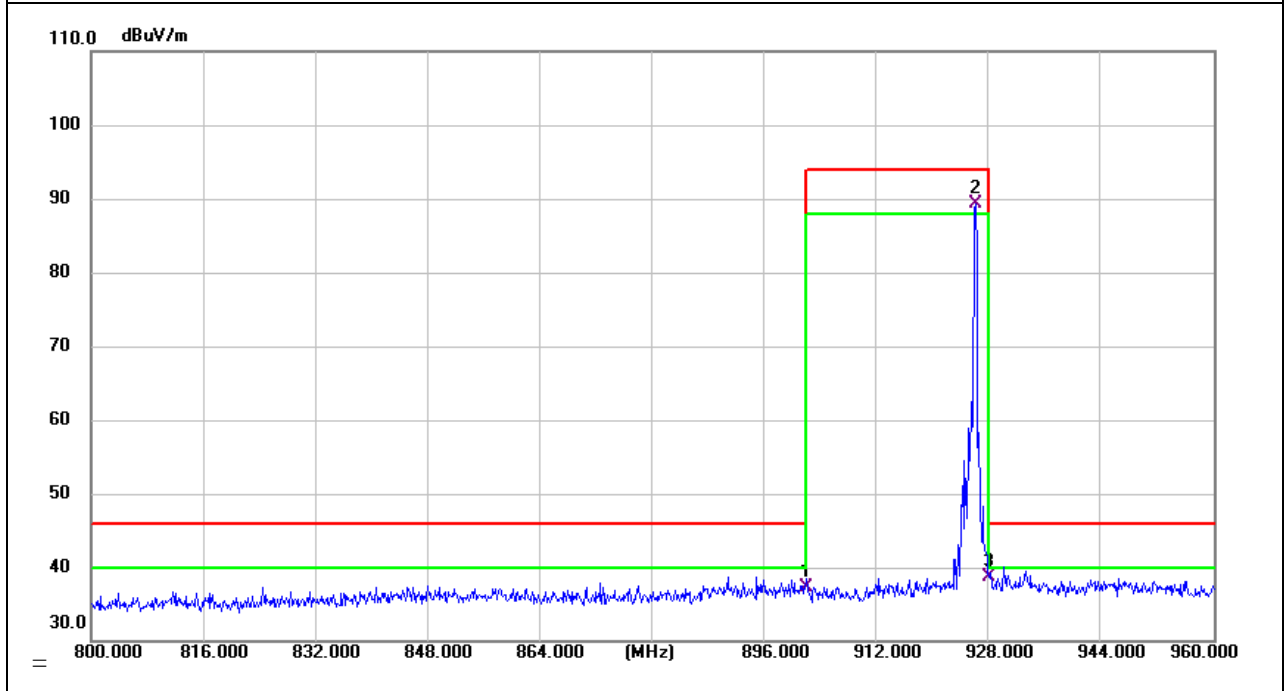
Remark:
Factor = Antenna Factor + Cable Loss – Pre-amplifier.



EUT :	Heat and CO alarm	Model Name :	FP2.ACHC.J-000-NA
Temperature :	25 °C	Relative Humidity :	51%
Pressure :	1010 hPa	Test Voltage :	DC 3V
Test Mode :	Mode1-TX-926MHz	Polarization :	Horizontal

Frequency (MHz)	Meter Reading (dBμV)	Factor (dB)	Emission Level (dBμV/m)	Limits (dBμV/m)	Margin (dB)	Detector Type
902.0000	6.46	30.76	37.22	46.00	-8.78	QP
926.0800	58.22	31.03	89.25	94.00	-4.75	QP
928.0000	7.69	31.05	38.74	46.00	-7.26	QP

Remark:
Factor = Antenna Factor + Cable Loss – Pre-amplifier.



4. BANDWIDTH TEST

4.1 TEST PROCEDURE

- a. The EUT was directly connected to the spectrum analyzer and antenna output port as show in the block diagram below,
- b. Spectrum Setting : The resolution bandwidth (RBW) shall be in the range of 1% to 5% of the actual occupied / x dB bandwidth and the video bandwidth (VBW) shall not be smaller than three times the RBW value., Sweep time = Auto.

4.2 DEVIATION FROM STANDARD

No deviation.

4.3 TEST SETUP



4.4. TEST RESULTS

EUT :	Heat and CO alarm	Model Name :	FP2.ACHC.J-000-NA
Temperature :	26 °C	Relative Humidity :	53%
Pressure :	1020 hPa	Test Power :	DC 3V
Test Mode :	Mode 1		

Test Channel	Frequency (MHz)	20 dB Bandwidth (KHz)
CH01	926	112.4



END OF REPORT