


FCC AND ISED CERTIFICATION TEST REPORT

FOR

Applicant	:	Ruijie Networks Co., Ltd.
Address	:	Building 19, Juyuanzhou Industrial Park, No. 618 Jinshan Road, Cangshan District , Fuzhou, Fujian, China
Equipment under Test	:	Wireless Bridge
Model No.	:	RG-EST350 V2
Trade Mark	:	
FCC ID	:	2AX5J-EST350V2
IC	:	27676-EST350V2
Manufacturer	:	Ruijie Networks Co., Ltd.
Address	:	Building 19, Juyuanzhou Industrial Park, No. 618 Jinshan Road, Cangshan District , Fuzhou, Fujian, China

Issued By: Dongguan Dongdian Testing Service Co., Ltd.

Add.: No. 17, Zongbu Road 2, Songshan Lake Sci&Tech, Industry Park,
Dongguan City, Guangdong Province, China, 523808

Tel.: +86-0769-38826678, **E-mail:** ddt@dgddt.com, <http://www.dgddt.com>

REPORT

Table of Contents

	Test report declares.....	4
1.	Summary of test results	6
2.	General Test Information	7
2.1.	Description of EUT	7
2.2.	User Access Restrictions	8
2.3.	Channel Loading/ Data Streaming.....	8
2.4.	Accessories of EUT.....	8
2.5.	Assistant equipment used for test.....	8
2.6.	Test Condition	8
2.7.	DFS Band Carrier Frequencies.....	8
2.8.	Deviations of test standard.....	9
2.9.	Test environment conditions	9
2.10.	Test laboratory	9
2.11.	Measurement uncertainty.....	10
3.	Equipment Used During Test.....	11
4.	General DFS requirements	12
4.1.	Applicability of DFS requirements.....	12
4.2.	Limit.....	13
4.3.	Parameters of radar test waveforms.....	13
5.	Calibration of radar waveform.....	17
5.1.	DFS Threshold Level	17
5.2.	Radar Waveform Calibration Procedure:.....	17
5.3.	Conducted Calibration Setup	17
5.4.	Radar Waveform Calibration Result	18
5.5.	Test Graphs.....	19
6.	Channel Availability Check Time (CAC)	27
6.1.	Channel Availability Check Limit.....	27
6.2.	Test Procedure.....	27
6.3.	Test Result	27
6.4.	Test Graphs.....	27
7.	Channel Closing Transmission Time, Channel Move Time and Non-Occupancy Period	29
7.1.	In-service Monitoring Limit	29
7.2.	Test Procedure.....	29
7.3.	Test setup.....	30
7.4.	Test result.....	30
7.5.	Detection Bandwidth	33

7.6.	Detection Bandwidth Limit.....	33
7.7.	Test Procedure.....	33
7.8.	Test setup.....	34
7.9.	Test Result.....	34
8.	Statistical Performance Check.....	36
8.1.	Statistical Performance Check Limit.....	36
8.2.	Test Procedure.....	36
8.3.	Test setup.....	37
8.4.	Test Result.....	38
9.	Statistical Performance Check of Bridge Mode.....	82
9.1.	Limit.....	82
9.2.	Test Procedure.....	82
9.3.	Test setup.....	83
9.4.	Test Result.....	83
10.	Test setup photograph.....	86

Test Report Declare

Applicant	:	Ruijie Networks Co., Ltd.
Address	:	Building 19, Juyuanzhou Industrial Park, No. 618 Jinshan Road, Cangshan District , Fuzhou, Fujian, China
Equipment under Test	:	Wireless Bridge
Model No	:	RG-EST350 V2
Trade Mark	:	Ruijie REYEE , Ruijie REYEE REYEE <small>by Ruijie,</small> Ruijie 嘉REYEE
Manufacturer	:	Ruijie Networks Co., Ltd.
Address	:	Building 19, Juyuanzhou Industrial Park, No. 618 Jinshan Road, Cangshan District , Fuzhou, Fujian, China

Test Standard Used: FCC Rules and Regulations Part 15.407, RSS-247 Issue 2 February 2017.

Test procedure used: ANSI C63.10:2013, 905462 D02 UNII DFS Compliance Procedures New Rules v02

We Declare:

The equipment described above is tested by Dongguan Dongdian Testing Service Co., Ltd and in the configuration tested the equipment complied with the standards specified above. The test results are contained in this test report and Dongguan Dongdian Testing Service Co., Ltd is assumed of full responsibility for the accuracy and completeness of these tests.

After test and evaluation, our opinion is that the equipment provided for test compliance with the requirement of the above FCC&ISED standards.

Report No:	DDT-R22112912-2E03		
Date of Receipt:	Nov. 30, 2022	Date of Test:	Nov. 30, 2022 ~ Dec. 29, 2022

Prepared By:

Ella Gong

Ella Gong /Engineer

Approved By:



Damon Hu/EMC Manager

Note: This report applies to above tested sample only. This report shall not be reproduced in parts without written approval of Dongguan Dongdian Testing Service Co., Ltd.

Revision History

Rev.	Revisions	Issue Date	Revised By
---	Initial issue	Dec. 29, 2022	

1. Summary of test results

The EUT have been tested according to the applicable standards as referenced below.				
Description of Test Item	Description of Test	Standard	Verdict	Remark
Detection Bandwidth	U-NII Detection Bandwidth	KDB 905462 7.8.1	Pass	100% of the 99% BW
Performance Requirements Check	Initial Channel Availability Check Time (CAC)	KDB 905462 7.8.2.1	Pass	CAC \geq 60 sec
	Radar Burst at the Beginning of the CAC	KDB 905462 7.8.2.2	Pass	Detection Threshold: -63 dBm
	Radar Burst at the End of the CAC	KDB 905462 7.8.2.3	Pass	Detection Threshold: -63 dBm
In-Service Monitoring	Channel Move Time	KDB 905462 7.8.3	Pass	CMT \leq 10set
	Channel Closing Transmission Time	KDB 905462 7.8.3	Pass	CCTT \leq 60 ms starting at CMT 200ms
	Non-Occupancy Period	KDB 905462 7.8.3	Pass	NOP \geq 30 Min
Radar Detection	Statistical Performance Check	KDB 905462 7.8.4	Pass	Table 5- 7 (KDB 905462)

2. General Test Information

2.1. Description of EUT

EUT* Name	: Wireless Bridge
Model Number	: RG-EST350 V2
EUT function description	: Please reference user manual of this device
Power supply	: 24 VDC non-standard PoE power supply or 12 VDC power supply from DC port
Radio Technology	: IEEE 802.11a/n/ac
Operation frequency	: IEEE 802.11a: 5180MHz-5240MHz, 5260MHz-5320MHz, 5500MHz-5700MHz, 5745MHz-5825MHz IEEE 802.11n HT20: 5180MHz-5240MHz, 5260MHz-5320MHz, 5500MHz-5700MHz, 5745MHz-5825MHz IEEE 802.11n HT40: 5190MHz-5230MHz, 5270MHz-5310MHz, 5510MHz-5670MHz, 5755MHz-5795MHz IEEE 802.11ac HT20: 5180MHz-5240MHz, 5260MHz-5320MHz,5500MHz-5700MHz, 5745MHz-5825MHz IEEE 802.11ac HT40: 5190MHz-5230MHz, 5270MHz-5310MHz, 5510MHz-5670MHz, 5755MHz-5795MHz IEEE 802.11ac HT80: 5210MHz, 5290MHz, 5530MHz,5610MHz, 5775MHz
Modulation	: IEEE 802.11a: OFDM (64QAM, 16QAM, QPSK, BPSK) IEEE 802.11n HT20, HT40: OFDM (64QAM, 16QAM, QPSK, BPSK) IEEE 802.11ac: OFDM (256QAM, 64QAM, 16QAM, QPSK, BPSK)
Transmitter rate	: IEEE 802.11a: 6, 9, 12, 18, 24, 36, 48, 54 Mbps IEEE 802.11n HT20: up to 144.4 Mbps IEEE 802.11n HT40: up to 300 Mbps IEEE 802.11ac VHT20: up to 173.4 Mbps IEEE 802.11ac VHT40: up to 400 Mbps IEEE 802.11ac VHT80: up to 866.6 Mbps
Operating mode	: <input checked="" type="checkbox"/> Master <input type="checkbox"/> Client Without Radar Detection <input type="checkbox"/> Client with Radar Detection
Communication mode	: <input checked="" type="checkbox"/> Load Based <input type="checkbox"/> Frame Based
TPC function	: <input checked="" type="checkbox"/> With TPC <input type="checkbox"/> Without TPC
Power-on cycle	: 101s
Antenna	: Antenna 1: Directional antenna, Maximum PK gain: 16.13 dBi Antenna 2: Directional antenna, Maximum PK gain: 15.33 dBi
Pathloss	: The antenna connector impedance 50 Ohms and external cable pathloss: 2 dB (According to the manufacturer's claims)
Maximum EIRP	: 5250 MHz to 5350 MHz: 28.56 dBm 5470 MHz to 5725 MHz: 29.03 dBm
Minimum EIRP	: 5250 MHz to 5350 MHz: 13.16 dBm 5470 MHz to 5725 MHz:13.17 dBm
Sample Number	: S22112912-01
Software version	: ReyeeOS 1.80.2329 1.00

Note 1: EUT is the ab. of equipment under test.

2.2. User Access Restrictions

DFS controls (hardware or software) related to radar detection are NOT accessible to the user. Manufacturer statement confirming that information regarding the parameters of the detected Radar Waveforms is not available to the end user.

2.3. Channel Loading/ Data Streaming

Software to ping the client is permitted to simulate data transfer with random ping intervals. Minimum channel loading of approximately 17

2.4. Accessories of EUT

Description of Accessories	Manufacturer	Model number	Other
AC cable	N/A	N/A	N/A
POE Switching Power Supply	RISUNIC Technology (ShenZhen) Co., Ltd.	RP023-2400500ZG	Input: 100-240~50/60Hz 0.5A Max Output: DC 24V/0.5A 12.0W

2.5. Assistant equipment used for test

Assistant equipment	Manufacturer	Model number	EMC Compliance	SN
Notebook	Lenovo Beijing Co. Ltd.	ThinkPad	FCC/CE	TP00015A

2.6. Test Condition

The Worst Case Mode for following Tests	
Test Condition	Conducted measurement The EUT configured to operated at the highest transmitter output power setting

2.7. DFS Band Carrier Frequencies

Frequency Band	Bandwidth	Channel No.	Frequency (MHz)
U-NII-2A	20 MHz	52	5260
		56	5280
		60	5300
		64	5320
	40 MHz	54	5270
		62	5310
		80 MHz	58
U-NII-2C	20 MHz	100	5500
		104	5520
		108	5540
		112	5560

		116	5580
		132	5660
		136	5680
		140	5700
		144	5720
	40 MHz	102	5260
		110	5550
		134	5670
	80 MHz	142	5710
		106	5530
		138	5690

2.8. Deviations of test standard

No Deviation.

2.9. Test environment conditions

During the measurement the environmental conditions were within the listed ranges:

Temperature range:	21-25°C
Humidity range:	40-75%
Pressure range:	86-106 kPa

2.10. Test laboratory

Dongguan Dongdian Testing Service Co., Ltd.

Add.: No. 17, Zongbu Road 2, Songshan Lake Sci&Tech, Industry Park, Dongguan City, Guangdong Province, China, 523808.

Tel.: +86-0769-38826678, <http://www.dgddt.com>, Email: ddt@dgddt.com.

CNAS Accreditation No. L6451; A2LA Accreditation Number: 3870.01

FCC Designation Number: CN1182, Test Firm Registration Number: 540522

Innovation, Science and Economic Development Canada Site Registration Number: 10288A

Conformity Assessment Body identifier: CN0048

VCCI facility registration number: C-20087, T-20088, R-20123, R-20155, G-20118

2.11. Measurement uncertainty

Test Item	Uncertainty
Bandwidth	1.1%
Peak Output Power (Conducted) (Spectrum Analyzer)	0.86 dB (10 MHz ≤ f < 3.6 GHz);
	1.38 dB (3.6 GHz ≤ f < 8 GHz)
Peak Output Power (Conducted) (Power Sensor)	0.74 dB
Power Spectral Density	0.74 dB (10 MHz ≤ f < 3.6 GHz);
	1.38 dB (3.6 GHz ≤ f < 8 GHz)
Frequencies Stability	6.7 x 10 ⁻⁸ (Antenna couple method)
	5.5 x 10 ⁻⁸ (Conducted method)
Conducted Spurious Emissions	0.86 dB (10 MHz ≤ f < 3.6 GHz);
	1.40 dB (3.6 GHz ≤ f < 8 GHz)
	1.66 dB (8 GHz ≤ f < 22 GHz)
Uncertainty for Radio Frequency (RBW < 20 kHz)	3x10 ⁻⁸
Temperature	0.4 °C
Humidity	2 %
Uncertainty for Radiation Emission Test (9 kHz – 30 MHz)	3.44 dB
Uncertainty for Radiation Emission Test (30 MHz - 1 GHz)	4.70 dB (Antenna Polarize: V)
	4.84 dB (Antenna Polarize: H)
Uncertainty for Radiation Emission Test (1 GHz - 40 GHz)	4.10 dB (1 - 6 GHz)
	4.40 dB (6 GHz - 18 GHz)
	3.54 dB (18 GHz - 26 GHz)
	4.30 dB (26 GHz - 40 GHz)
Uncertainty for Power Line Conduction Emission Test	3.32 dB (150 kHz - 30 MHz)
Note: This uncertainty represents an expanded uncertainty expressed at approximately the 95% confidence level using a coverage factor of k=2.	

3. Equipment Used During Test

Equipment	Manufacturer	Model No.	Serial No.	Last Cal.	Cal. Interval
☑RF Connected Test (Tonscend RF Measurement System 1#)					
Signal & Spectrum analyzer	R&S	FSQ26	101272	May 17, 2022	1 Year
Vector Signal Generator	Agilent	N5182A	MY19060405	May 18, 2022	1 Year
RF Control Unit	Tonsend	JS0806-2	2118060485	May 28, 2022	1 Year
Test Software	JS Tonscend	JS1120-3	Ver.3.2.22	N/A	N/A

4. General DFS requirements

4.1. Applicability of DFS requirements

Table 1: Applicability of DFS Requirements Prior to Use of a Channel

Requirement	Operational Mode		
	<input checked="" type="checkbox"/> Master	<input type="checkbox"/> Client Without Radar Detection	<input type="checkbox"/> Client with Radar Detection
Non-Occupancy Period	Yes	Not required	Yes
DFS Detection Threshold	Yes	Not required	Yes
Channel Availability Check Time	Yes	Not required	Not required
U-NII Detection Bandwidth	Yes	Not required	Yes

Table 2: Applicability of DFS requirements during normal operation

Requirement	Operational Mode	
	<input checked="" type="checkbox"/> Master Device or Client with Radar Detection	<input type="checkbox"/> Client Without Radar Detection
DFS Detection Threshold	Yes	Not required
Channel Closing Transmission Time	Yes	Yes
Channel Move Time	Yes	Yes
U-NII Detection Bandwidth	Yes	Not required

Additional requirements for devices with multiple bandwidth modes	<input checked="" type="checkbox"/> Master Device or Client with Radar Detection	<input type="checkbox"/> Client Without Radar Detection
U-NII Detection Bandwidth and Statistical Performance Check	All BW modes must be tested	Not required
Channel Move Time and Channel Closing Transmission Time	Test using widest BW mode available	Test using the widest BW mode available for the link
All other tests	Any single BW mode	Not required
<p>Note: Frequencies selected for statistical performance check should include several frequencies within the radar detection bandwidth and frequencies near the edge of the radar detection bandwidth. For 802.11 devices it is suggested to select frequencies in each of the bonded 20 MHz channels and the channel center frequency.</p>		

4.2. Limit

(1) DFS Detection Thresholds

Table 3: DFS Detection Thresholds for Master Devices and Client Devices with Radar Detection

Maximum Transmit Power	Value (See Notes 1, 2, and 3)
EIRP \geq 200 milliwatt	-64 dBm
EIRP < 200 milliwatt and power spectral density < 10 dBm/MHz	-62 dBm
EIRP < 200 milliwatt that do not meet the power spectral density requirement	-64 dBm

Note 1: This is the level at the input of the receiver assuming a 0 dBi receive antenna.
 Note 2: Throughout these test procedures an additional 1 dB has been added to the amplitude of the test transmission waveforms to account for variations in measurement equipment. This will ensure that the test signal is at or above the detection threshold level to trigger a DFS response.
 Note3: EIRP is based on the highest antenna gain. For MIMO devices refer to KDB Publication 662911 D01.

(2) DFS Response Requirements

Table 4: DFS Response Requirement Values

Parameter	Value
Non-occupancy period	Minimum 30 minutes
Channel Availability Check Time	60 seconds
Channel Move Time	10 seconds See Note 1.
Channel Closing Transmission Time	200 milliseconds + an aggregate of 60 milliseconds over remaining 10 second period. See Notes 1 and 2.
U-NII Detection Bandwidth	Minimum 100% of the U-NII 99% transmission power bandwidth. See Note 3.

Note 1: Channel Move Time and the Channel Closing Transmission Time should be performed with Radar Type 0. The measurement timing begins at the end of the Radar Type 0 burst.
 Note 2: The Channel Closing Transmission Time is comprised of 200 milliseconds starting at the beginning of the Channel Move Time plus any additional intermittent control signals required facilitating a Channel move (an aggregate of 60 milliseconds) during the remainder of the 10 second period. The aggregate duration of control signals will not count quiet periods in between transmissions.
 Note 3: During the U-NII Detection Bandwidth detection test, radar type 0 should be used. For each frequency step the minimum percentage of detection is 90 percent. Measurements are performed with no data traffic.

4.3. Parameters of radar test waveforms

This section provides the parameters for required test waveforms, minimum percentage of successful detections, and the minimum number of trials that must be used for determining DFS conformance. Step intervals of 0.1 microsecond for Pulse Width, 1 microsecond for PRI, 1 MHz for chirp width and 1 for the number of pulses will be utilized for the random determination of specific test waveforms.

(1) Short Pulse Radar Test Waveforms

Table 5 – Short Pulse Radar Test Waveforms

Radar Type	Pulse Width (μsec)	PRI(μsec)	Number of Pulses	Minimum Percentage of Successful Detection	Minimum Number of Trials
0	1	1428	18	See Note 1	See Note 1
1	1	Test A: 15 unique PRI values randomly selected from the list of 23 PRI values in Table 5a		60%	30
		Test B: 15 unique PRI values randomly selected within the range of 518-3066 μsec, with a minimum increment of 1 μsec, excluding PRI values selected in Test A			
2	1-5	150-230	23-29	60%	30
3	6-10	200-500	16-18	60%	30
4	11-20	200-500	12-16	60%	30
Aggregate (Radar Types 1-4)				80%	120

Note 1: Short Pulse Radar Type 0 should be used for the detection bandwidth test, channel move time, and channel closing time tests.

A minimum of 30 unique waveforms are required for each of the Short Pulse Radar Types 2 through 4. If more than 30 waveforms are used for Short Pulse Radar Types 2 through 4, then each additional waveform must also be unique and not repeated from the previous waveforms. If more than 30 waveforms are used for Short Pulse Radar Type 1, then each additional waveform is generated with Test B and must also be unique and not repeated from the previous waveforms in Tests A or B. For example if in Short Pulse Radar Type 1 Test B a PRI of 3066 μsec is selected, the number of pulses would be Roundup $\{ (1/360) \times (19 \times 106 / 3066) \} = \text{Round up } \{ 17.2 \} = 18$.

(2) Long Pulse Radar Test Waveform

Table 6 – Long Pulse Radar Test Waveform

Radar Type	Pulse Width (μsec)	Chirp Width (MHz)	PRI (μsec)	Number of Pulses per Burst	Number of Bursts	Minimum Percentage of Successful Detection	Minimum Number of Trials
5	50-100	5-20	1000-2000	1-3	8-20	80%	30

The parameters for this waveform are randomly chosen. Thirty unique waveforms are required for the Long Pulse Radar Type waveforms. If more than 30 waveforms are used for the Long Pulse Radar Type waveforms, then each additional waveform must also be unique and not repeated from the previous waveforms.

Each waveform is defined as follows:

- 1) The transmission period for the Long Pulse Radar test signal is 12 seconds.
- 2) There are a total of 8 to 20 Bursts in the 12 second period, with the number of Bursts being randomly chosen. This number is Burst Count.
- 3) Each Burst consists of 1 to 3 pulses, with the number of pulses being randomly chosen. Each Burst within the 12 second sequence may have a different number of pulses.
- 4) The pulse width is between 50 and 100 microseconds, with the pulse width being randomly chosen. Each pulse within a Burst will have the same pulse width. Pulses in different Bursts may have different pulse widths.
- 5) Each pulse has a linear frequency modulated chirp between 5 and 20 MHz, with the chirp width being randomly chosen. Each pulse within a transmission period will have the same chirp width. The chirp is centered on the pulse. For example, with a radar frequency of 5300 MHz and a 20 MHz chirped signal, the chirp starts at 5290 MHz and ends at 5310 MHz.
- 6) If more than one pulse is present in a Burst, the time between the pulses will be between 1000 and 2000 microseconds, with the time being randomly chosen. If three pulses are present in a Burst, the random time interval between the first and second pulses is chosen independently of the random time interval between the second and third pulses.
- 7) The 12 second transmission period is divided into even intervals. The number of intervals is equal to Burst Count. Each interval is of length $(12,000,000 / \text{Burst Count})$ microseconds. Each interval contains one Burst. The start time for the Burst, relative to the beginning of the interval, is between 1 and $[(12,000,000 / \text{Burst Count}) - (\text{Total Burst Length}) + (\text{One Random PRI Interval})]$ microseconds, with the start time being randomly chosen. The step interval for the start time is 1 microsecond. The start time for each Burst is chosen randomly.

(3) Frequency Hopping Radar Test Waveform

Table 7 – Frequency Hopping Radar Test Waveform

Radar Type	Pulse Width (μsec)	PRI (μsec)	Pulses per Hop	Hopping Rate (kHz)	Hopping Sequence Length(msec)	Minimum Percentage of Successful Detection	Minimum Number of Trials
6	1	333	9	0.333	300	70%	30

For the Frequency Hopping Radar Type, the same Burst parameters are used for each waveform.

The hopping sequence is different for each waveform and a 100-length segment is selected from the hopping sequence defined by that If a segment does not contain at least 1 frequency within the U-NII Detection Bandwidth of the UUT, then that segment is not used.

The first frequency in a hopping sequence is selected randomly from the group of 475 integer frequencies from 5250 – 5724 MHz. Next, the frequency that was just chosen is removed from

the group and a frequency is randomly selected from the remaining 474 frequencies in the group. This process continues until all 475 frequencies are chosen for the set. For selection of a random frequency, the frequencies remaining within the group are always treated as equally likely.

5. Calibration of radar waveform

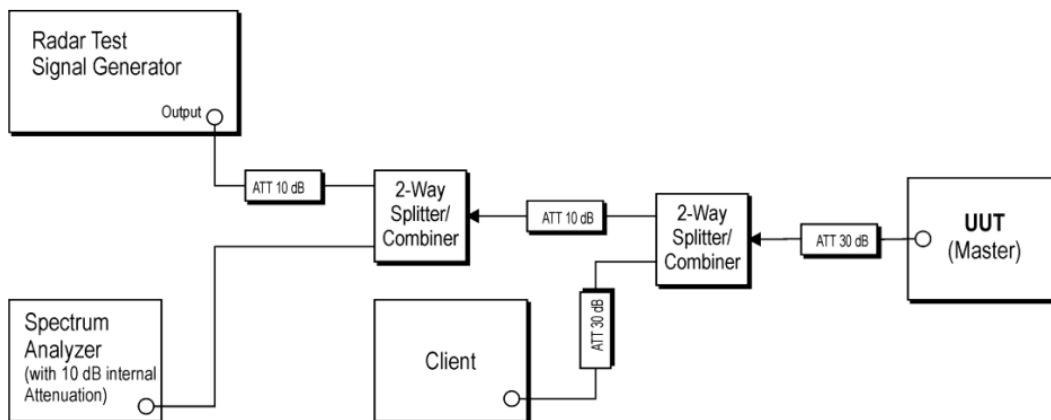
5.1. DFS Threshold Level

DFS Threshold Level	
DFS Theshold Level: -63 dBm	At the antenna connector
	In front of the antenna
The Interference Radar Detection Threshold Level is $-64 \text{ dBm} + 16.13 \text{ [dBi]} + 1 \text{ dB} = -46.87 \text{ dBm}$. That had been taken into account the output power range and antenna gain.	

5.2. Radar Waveform Calibration Procedure:

- (1) A 50 ohm load is connected in place of the spectrum analyzer, and the spectrum analyzer is connected to place of the master
- (2) The following equipment setup was used to calibrate the conducted radar waveform. A vector signal generator was utilized to establish the test signal level for radar type 0-6. During this process there were no transmissions by either the master or client device. The spectrum analyzer was switched to the zero spans (time domain) at the frequency of the radar waveform generator. Peak detection was used. The spectrum analyzer resolution bandwidth (RBW) and video bandwidth (VBW) were set to 3 MHz. The spectrum analyzer had offset -1.0 dB to compensate RF cable loss 1.0 dB.
- (3) The vector signal generator amplitude was set so that the power level measured at the spectrum analyzer was $-64 \text{ dBm} + 16.13 \text{ dBi} + 1 \text{ dB} = -46.87 \text{ dBm}$. Capture the spectrum analyzer plots on radar waveform.

5.3. Conducted Calibration Setup

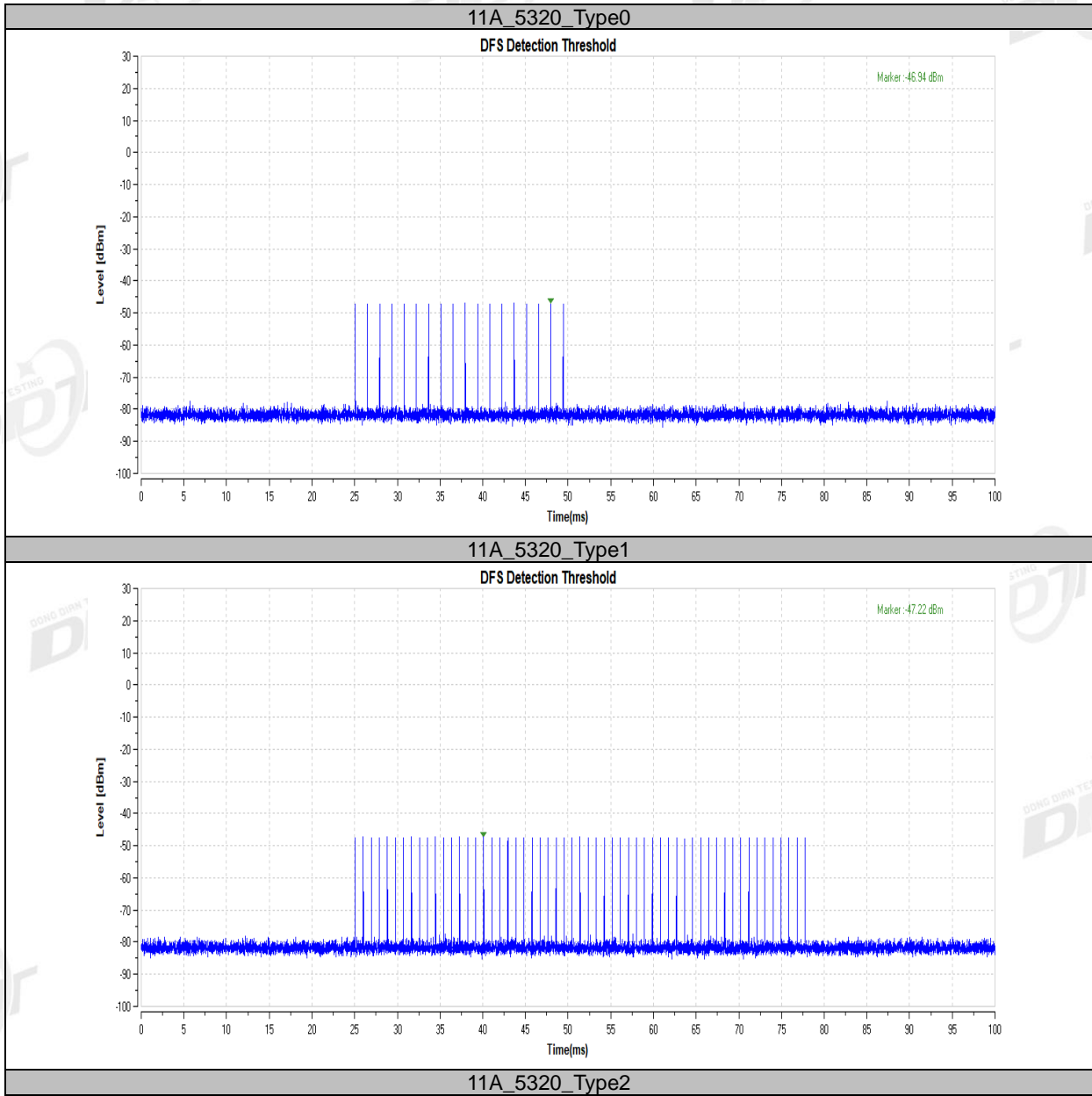


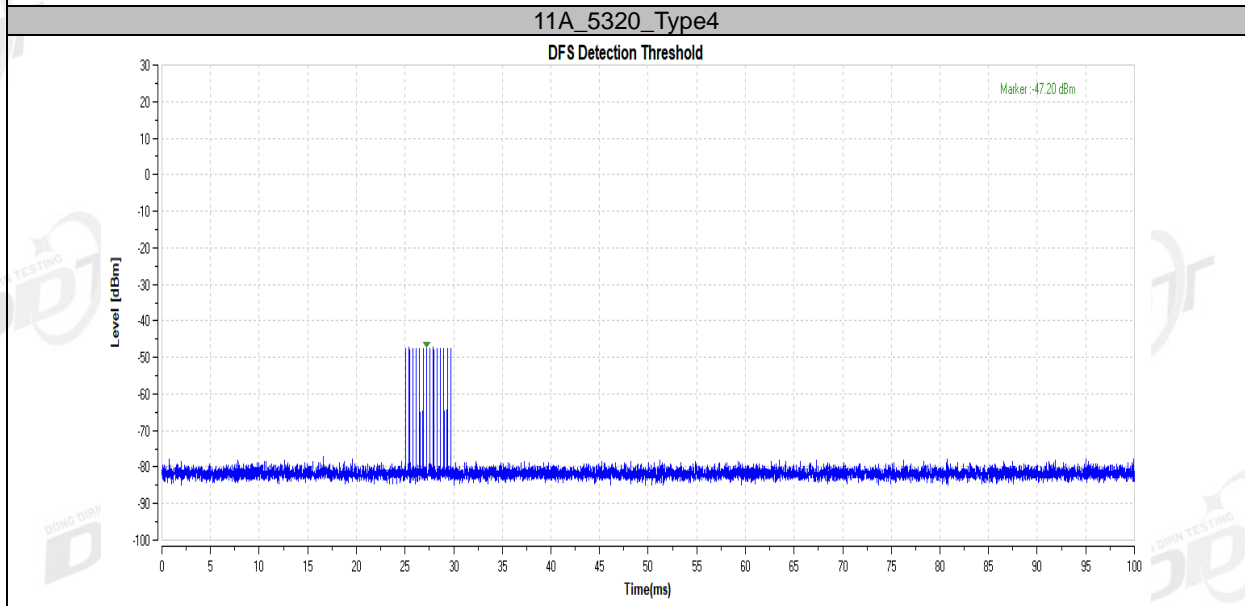
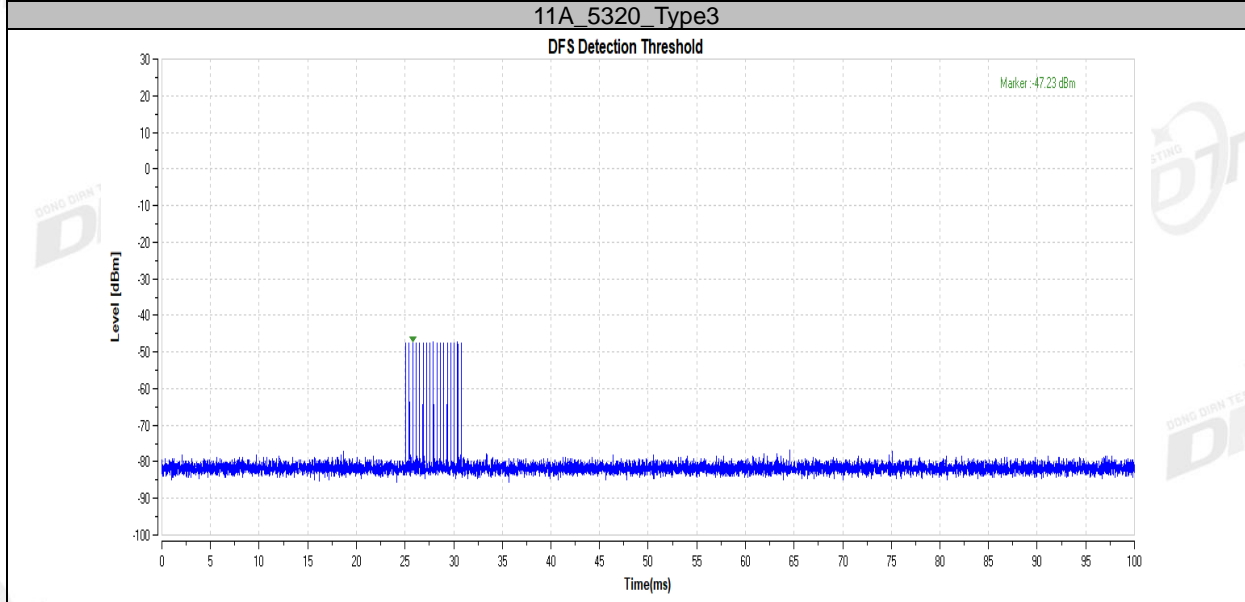
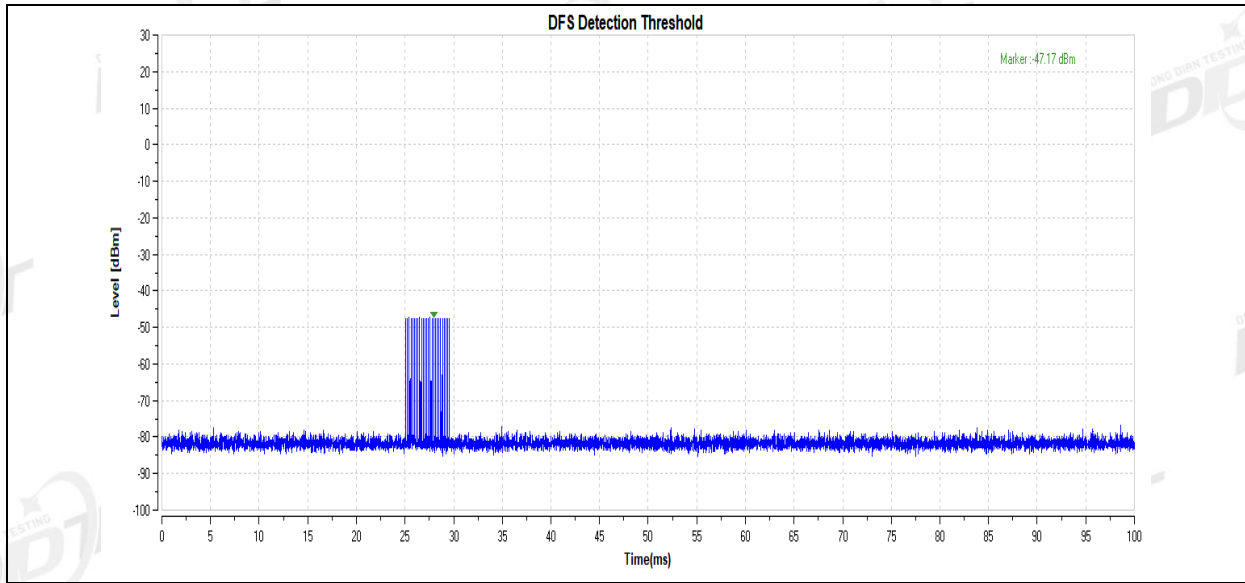
- Note: 1. Use the software "Web" to set the frequency channel.
 2. EUT is not support TPC and not with Radar detection.

5.4. Radar Waveform Calibration Result

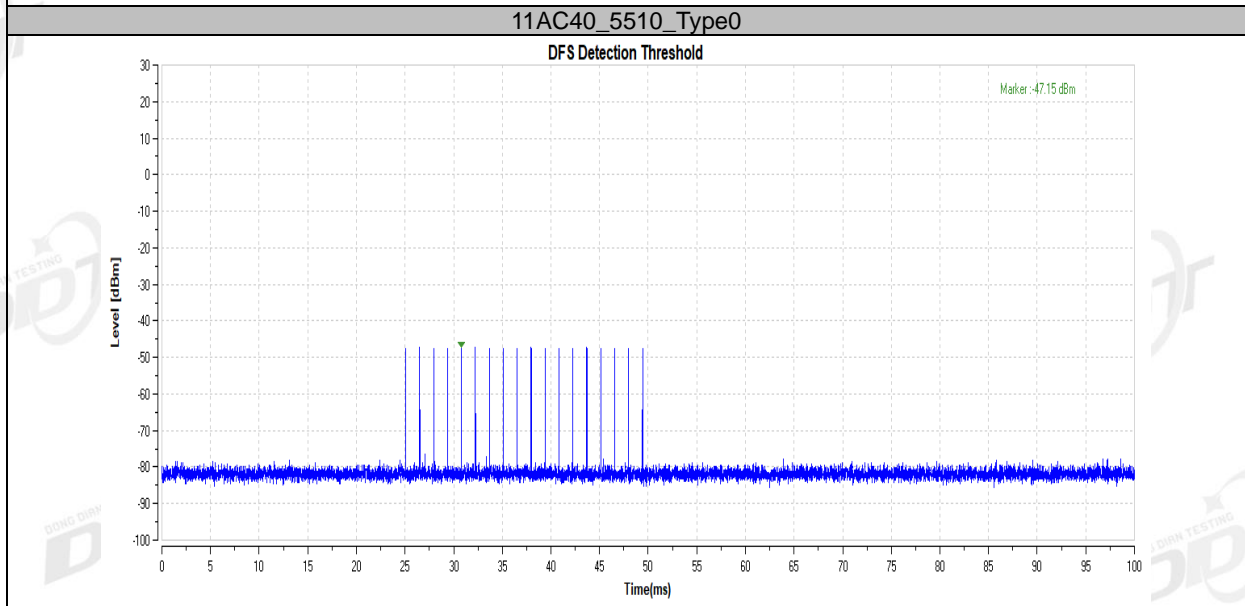
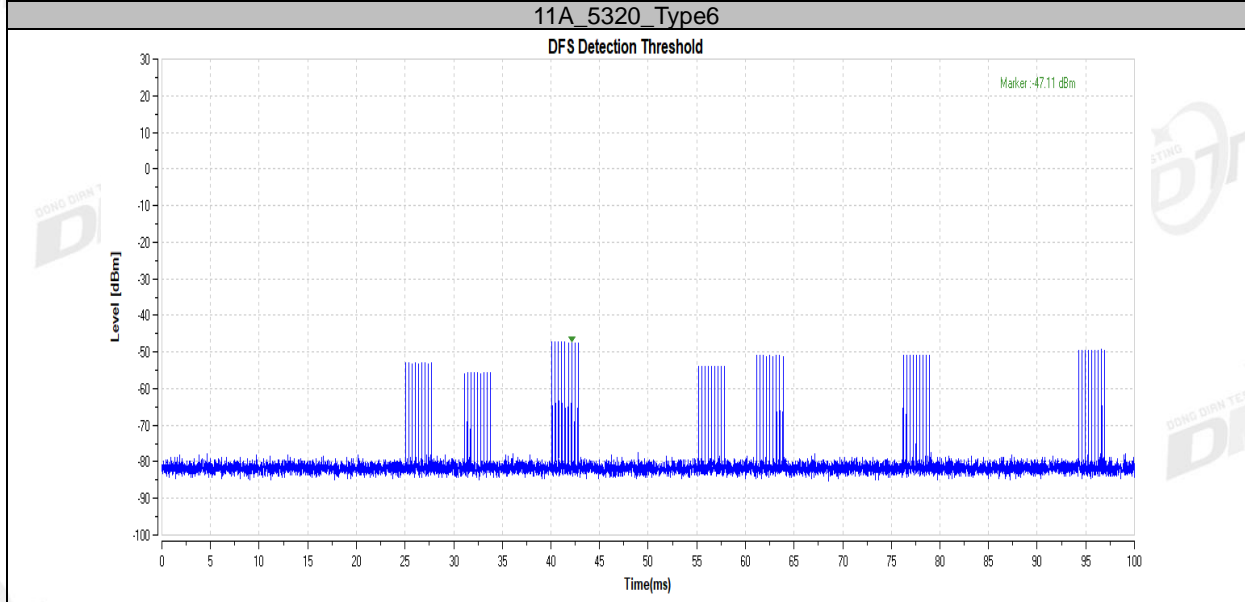
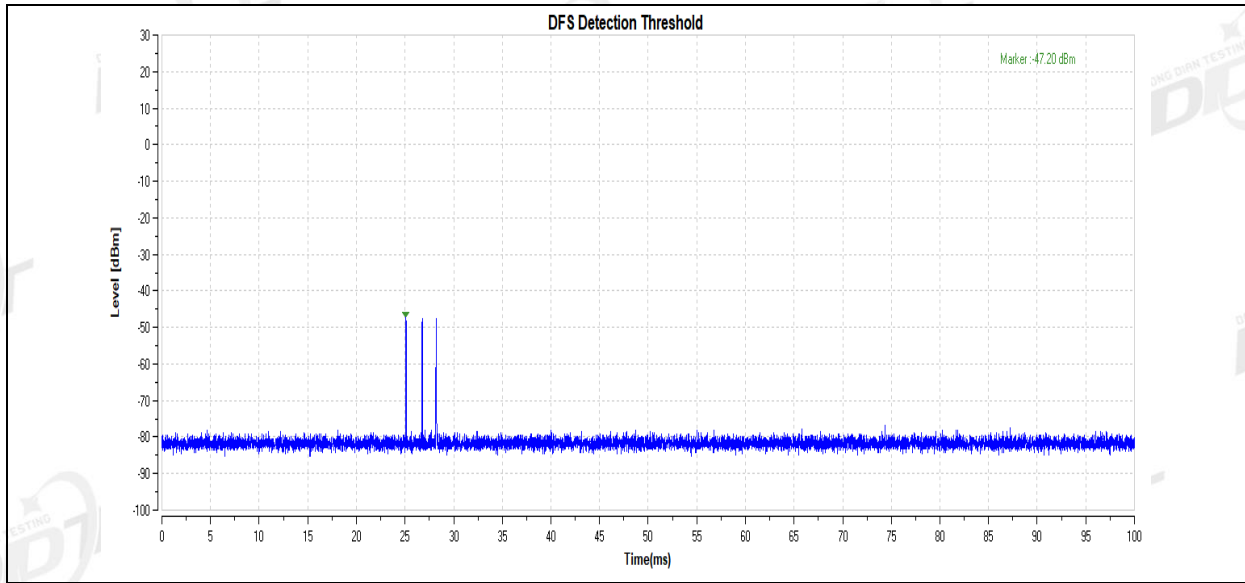
Frequency [MHz]	Radar Type	Result	Limit [dbm]	Verdict
5320	Type0	-46.94	-46.87	PASS
	Type1	-47.22	-46.87	PASS
	Type2	-47.17	-46.87	PASS
	Type3	-47.23	-46.87	PASS
	Type4	-47.20	-46.87	PASS
	Type5	-47.20	-46.87	PASS
	Type6	-47.11	-46.87	PASS
5510	Type0	-47.15	-46.87	PASS
	Type1	-47.08	-46.87	PASS
	Type2	-47.10	-46.87	PASS
	Type3	-47.14	-46.87	PASS
	Type4	-47.04	-46.87	PASS
	Type5	-47.37	-46.87	PASS
	Type6	-47.05	-46.87	PASS
5530	Type0	-46.87	-46.87	PASS
	Type1	-46.90	-46.87	PASS
	Type2	-46.89	-46.87	PASS
	Type3	-46.89	-46.87	PASS
	Type4	-46.91	-46.87	PASS
	Type5	-47.11	-46.87	PASS
	Type6	-47.23	-46.87	PASS

5.5. Test Graphs

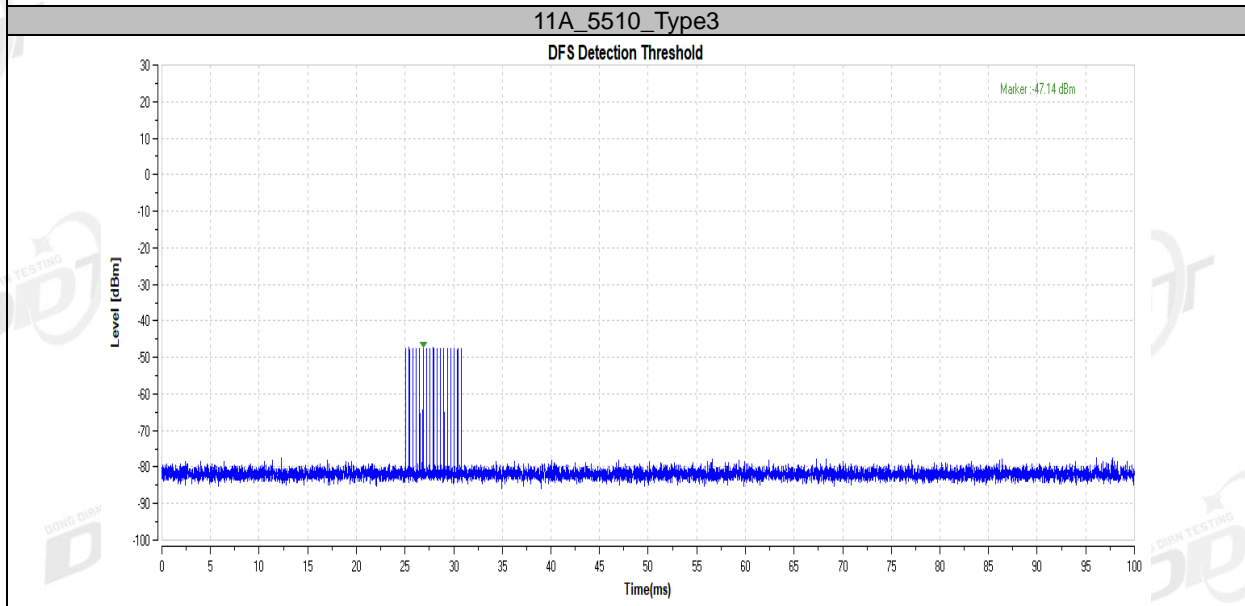
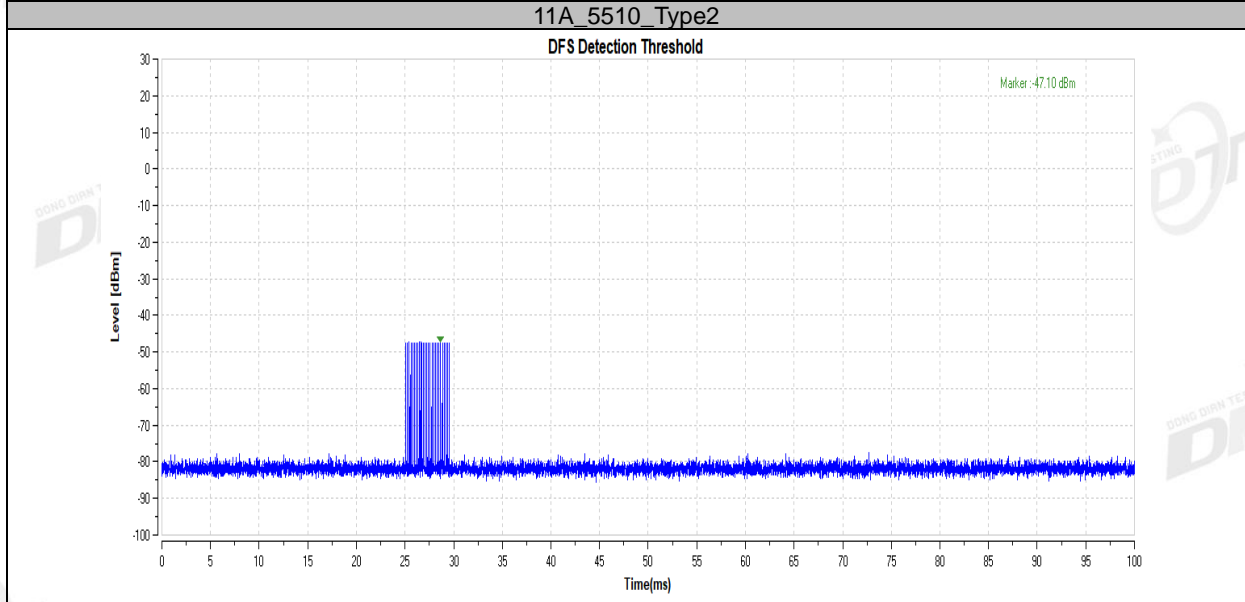
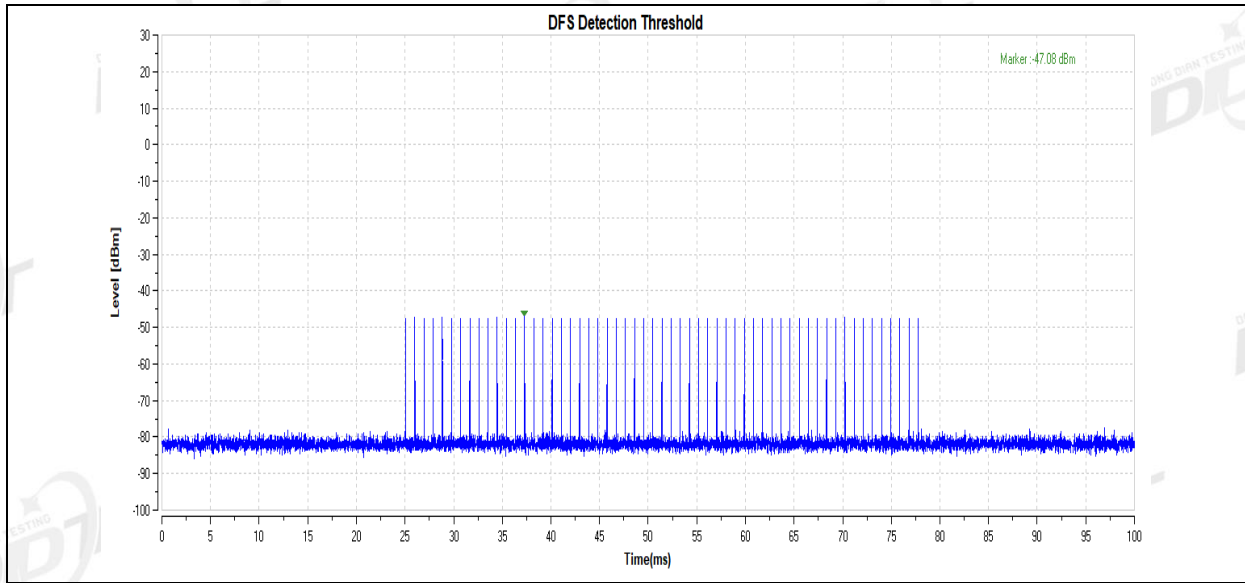




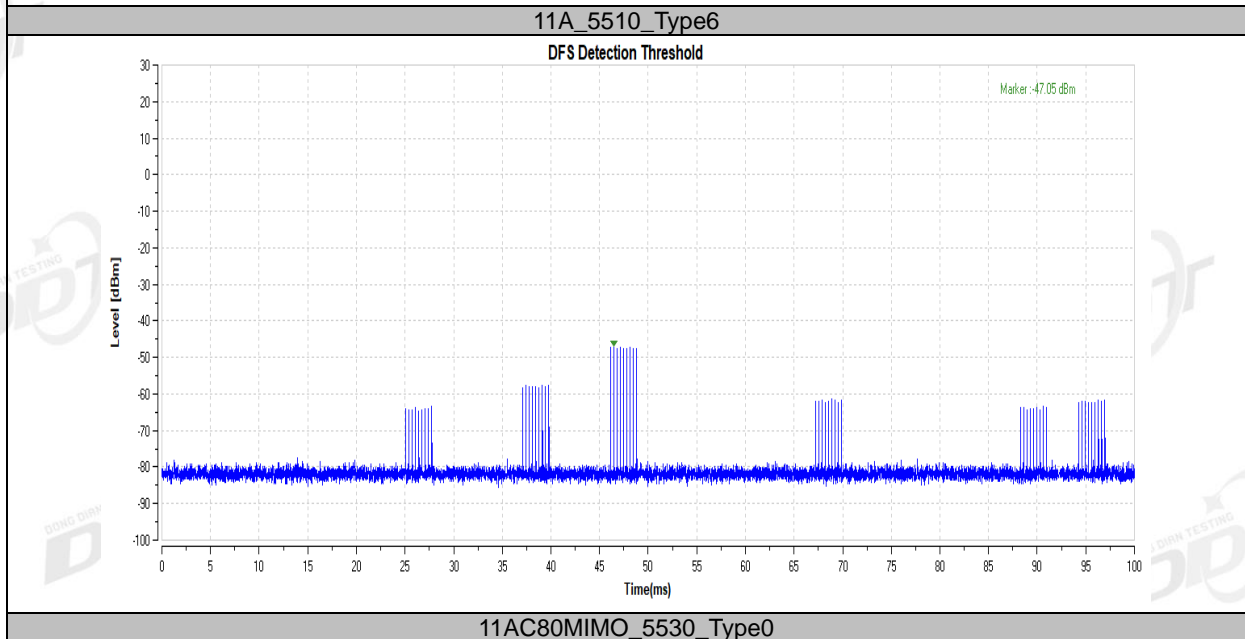
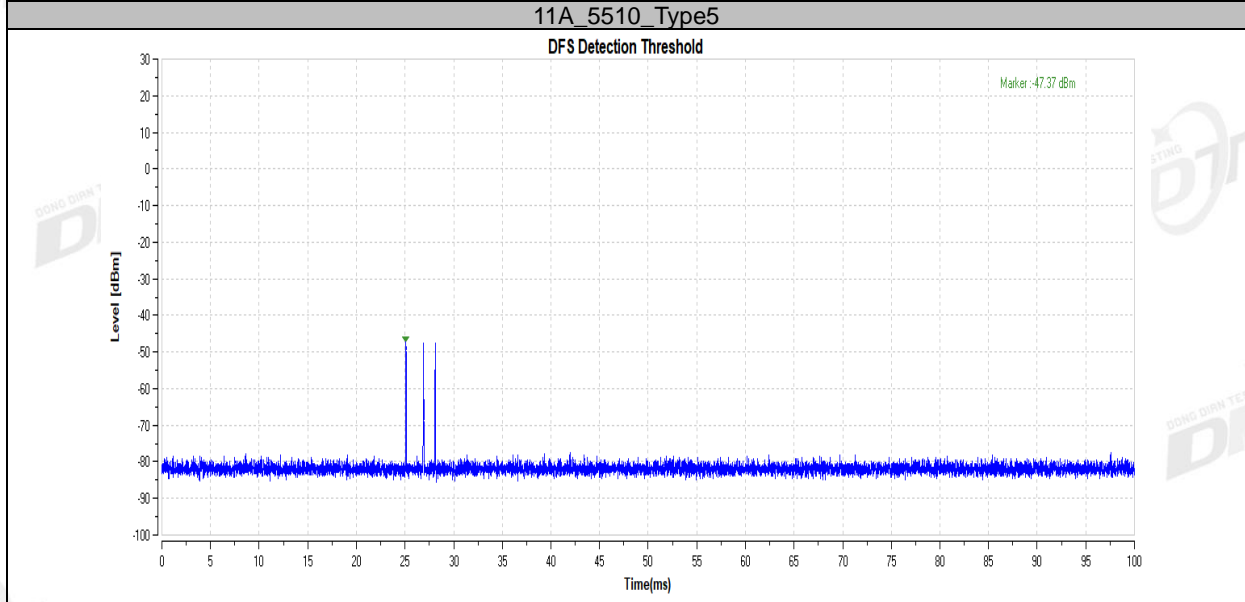
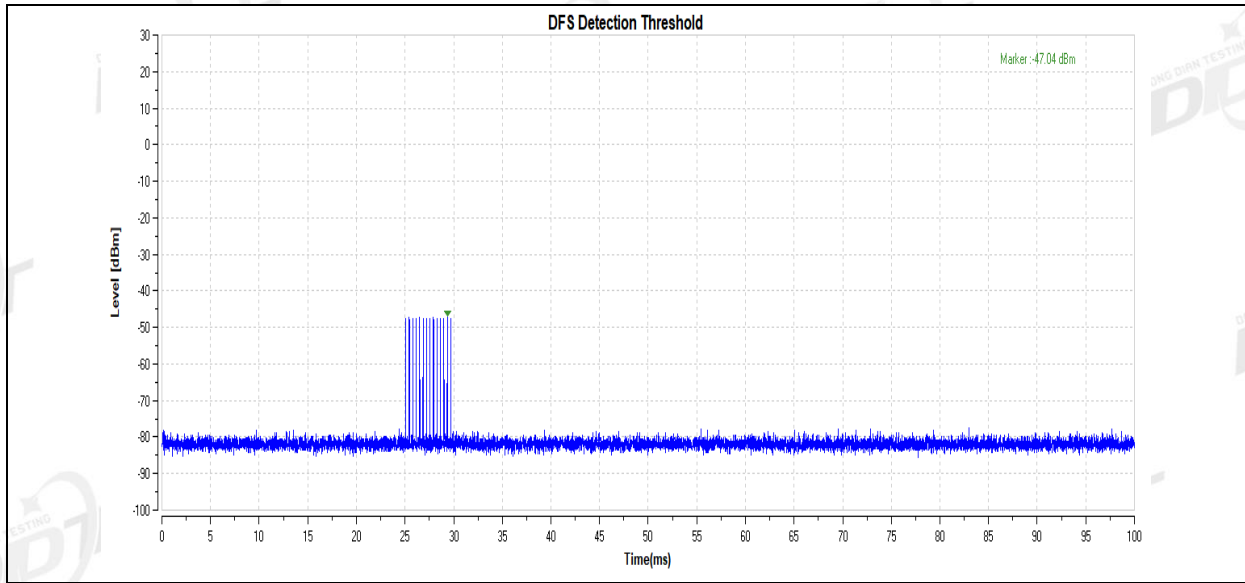
11A_5320_Type5

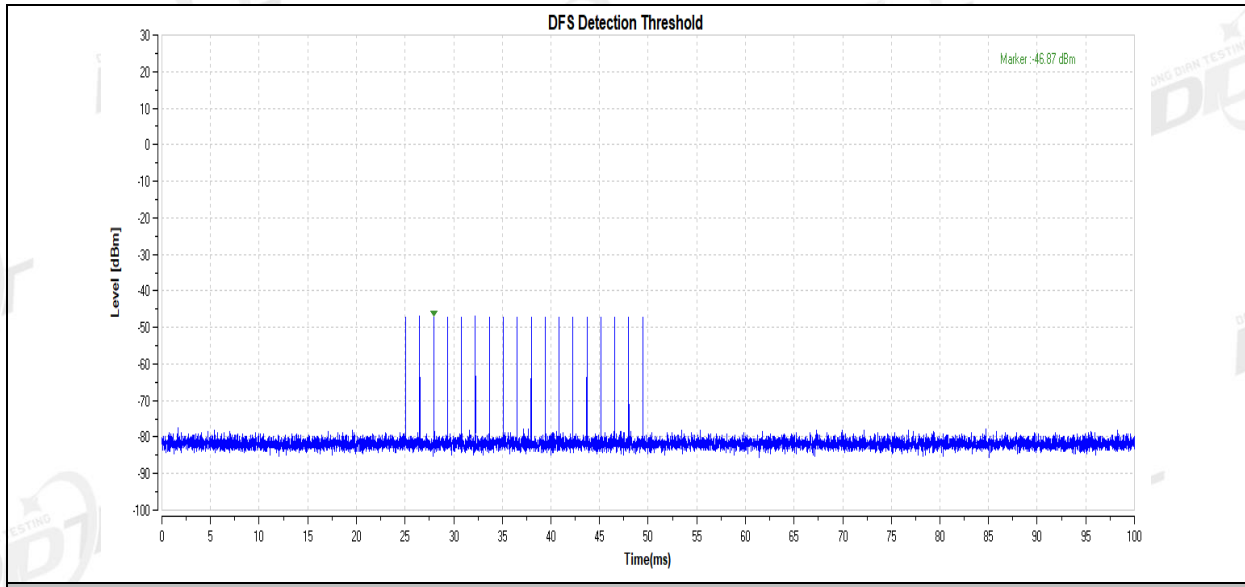


11A_5510_Type1

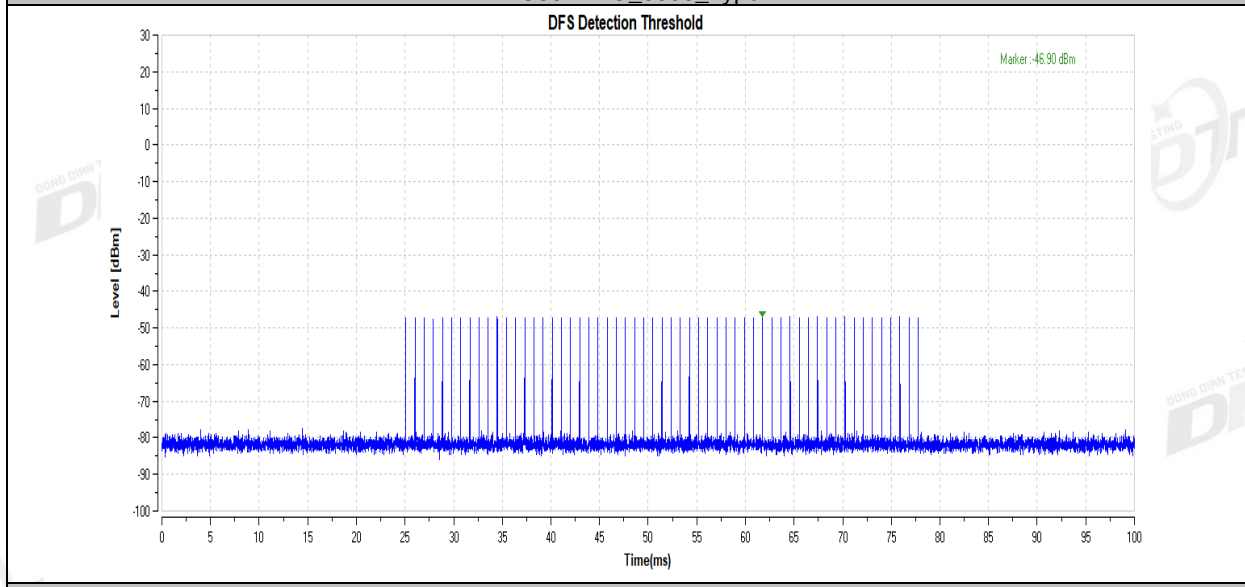


11A_5510_Type4

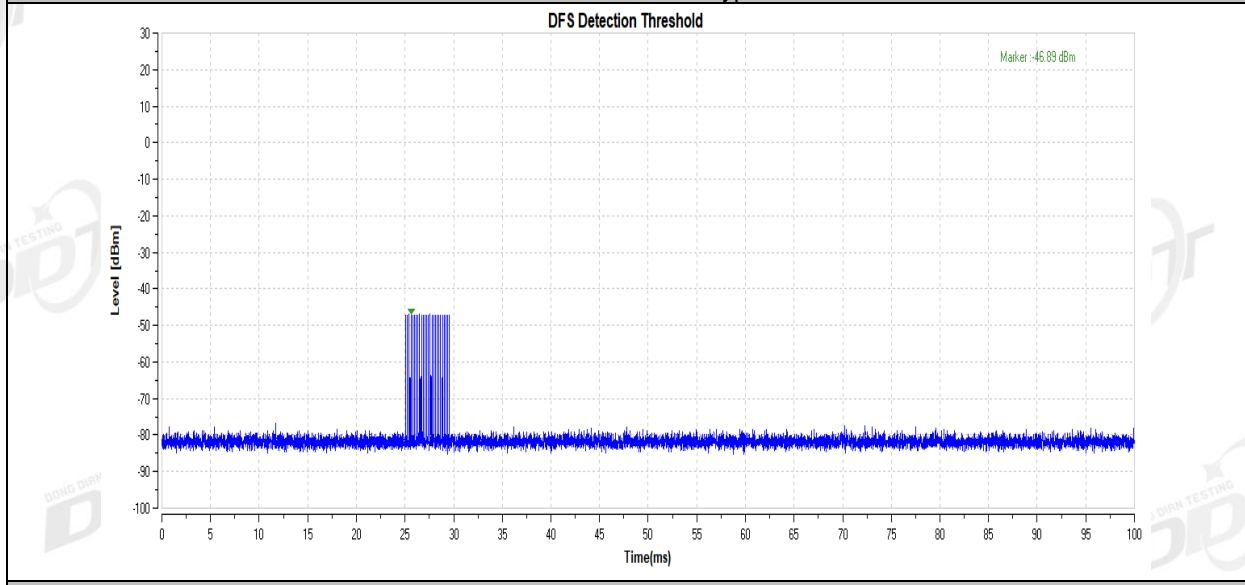




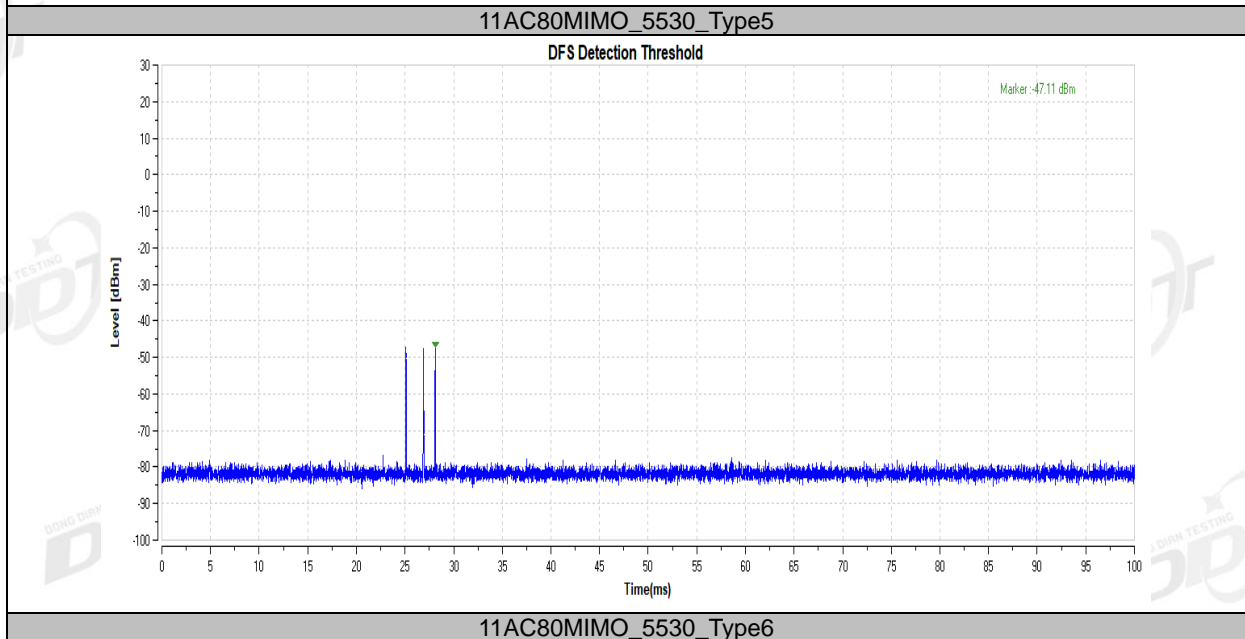
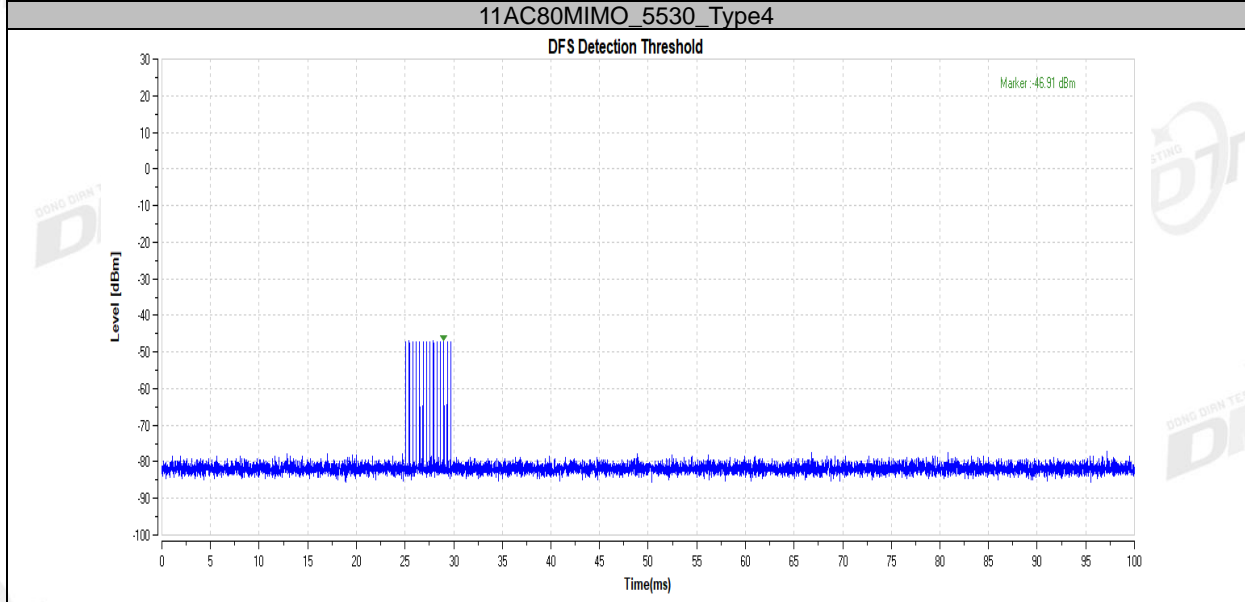
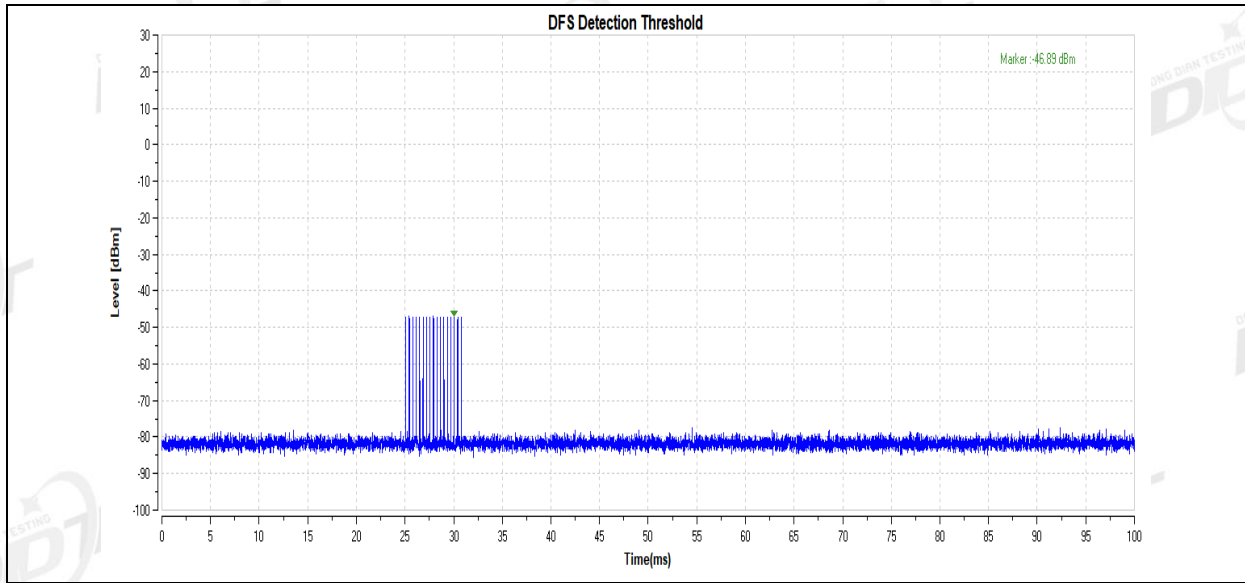
11AC80MIMO_5530_Type1

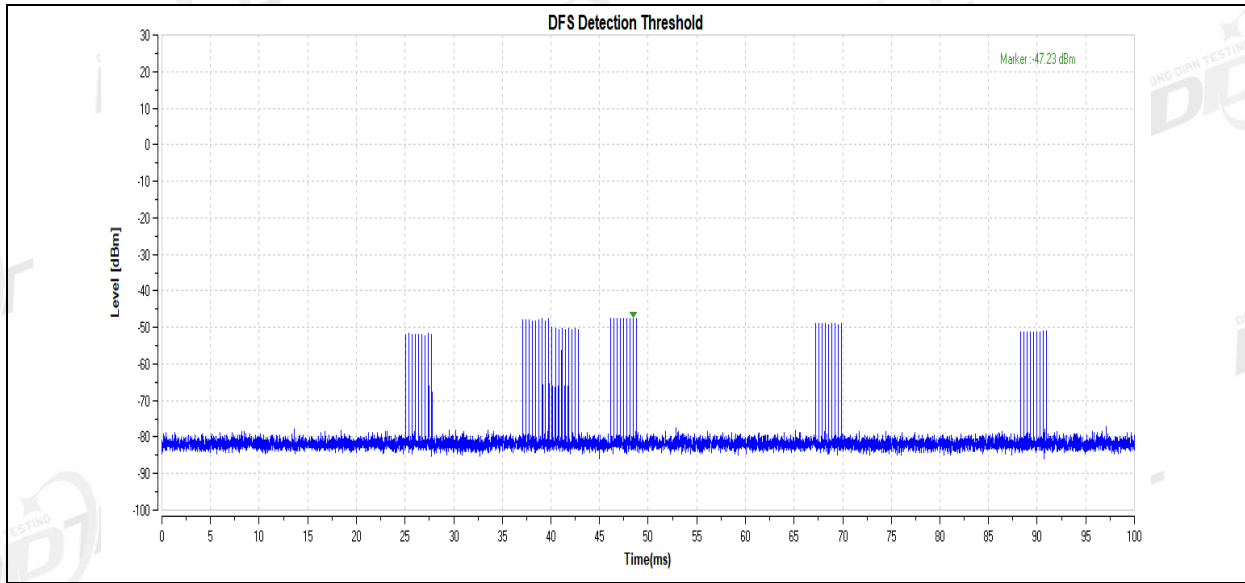


11AC80MIMO_5530_Type2



11AC80MIMO_5530_Type3





6. Channel Availability Check Time (CAC)

6.1. Channel Availability Check Limit

Channel Availability Check Limit
The UUT should not transmit any beacon or data transmissions until at least 1 minute after the completion of the power-on cycle.

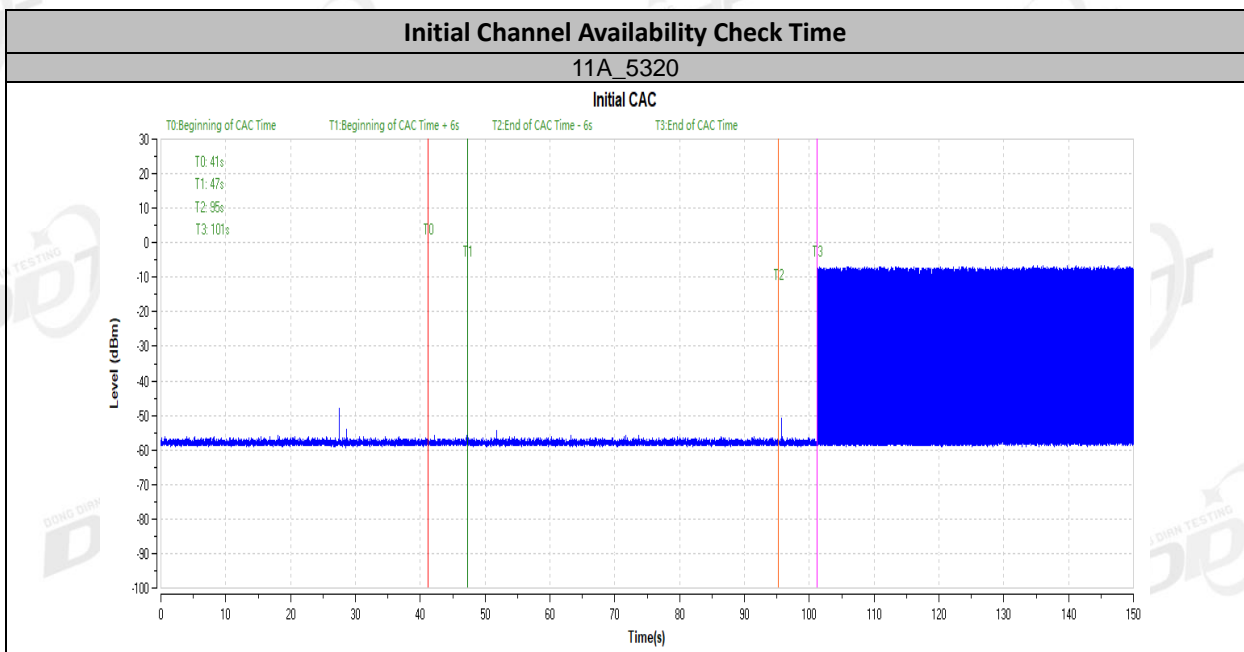
6.2. Test Procedure

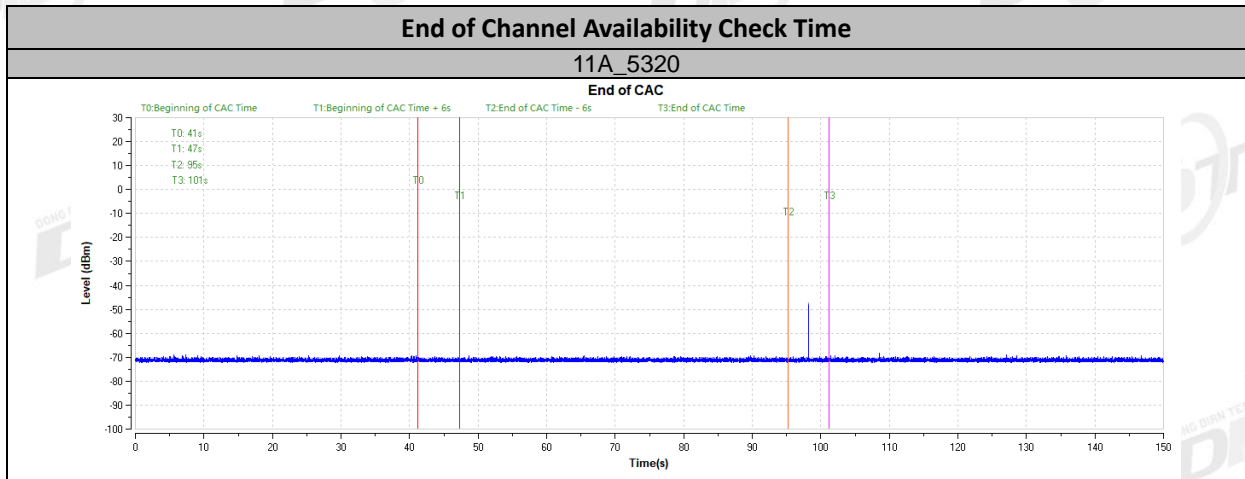
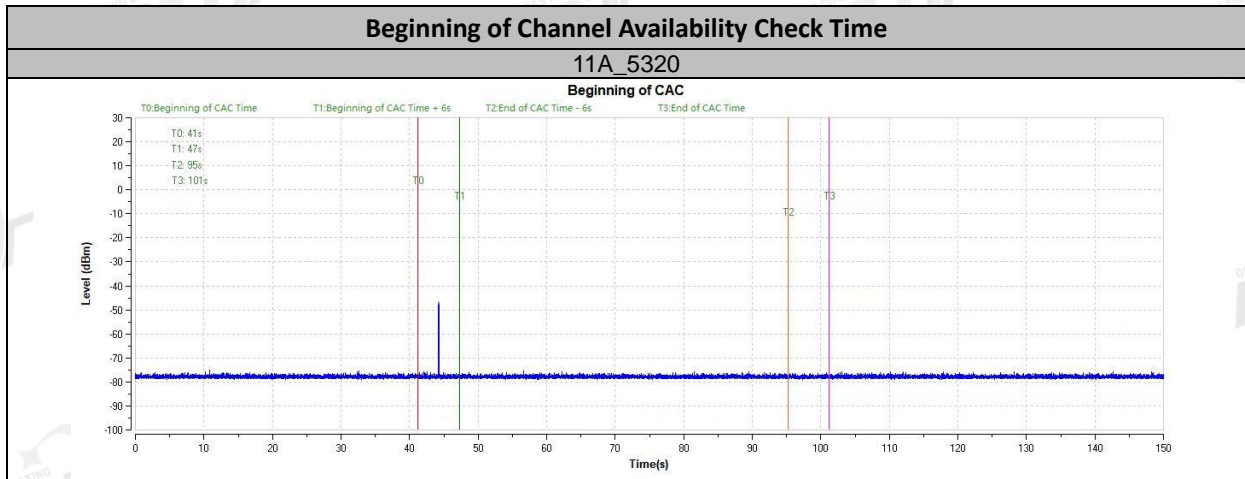
- (1) Channel Availability Check Time (CAC)
- (2) With link established on channel, apply a radar signal within 0~6 seconds after the initial power-up period; monitor the transmissions on channel from the spectrum analyzer.
- (3) Reboot EUT, with a link established on channel, apply a radar signal within 54~60 seconds after the initial power-up period, and monitor the transmission on channel from the spectrum analyzer.

6.3. Test Result

Item	Result	Verdict
Initial Channel Availability Check Time	See test Graph	---
Beginning of Channel Availability Check Time	See test Graph	PASS
End of Channel Availability Check Time	See test Graph	PASS

6.4. Test Graphs





7. Channel Closing Transmission Time, Channel Move Time and Non-Occupancy Period

7.1. In-service Monitoring Limit

In-service Monitoring Limit	
Channel Move Time	10 sec
Channel Closing Transmission Time	200 ms + an aggregate of 60 ms over remaining 10 sec periods.
Non-Occupancy Period	Minimum 30 minutes

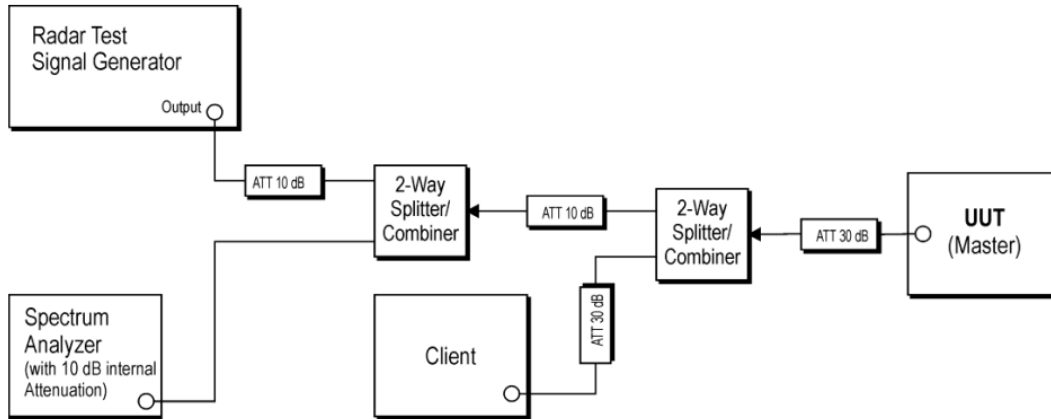
7.2. Test Procedure

- (1) The radar pulse generator is setup to provide a pulse at frequency that the master and client are operating. A type 0 radar pulse with a 1us pulse width and a 1428us PRI is used for the testing.
- (2) The vector signal generator is adjusted to provide the radar burst (18 pulses) at the level of approximately -61dBm at the antenna port of the master device.
- (3) A trigger is provided from the pulse generator to the DFS monitoring system in order to capture the traffic and the occurrence of the radar pulse.
- (4) Stream the channel loading test file from the Master Device to the Client Device on the test Channel
- (5) for the entire period of the test. When radar burst with a level equal to the DFS Detection Threshold +1dB is generated on the operating channel of the U-NII device. At time T0 the radar waveform generator sends a burst of pulse of the radar waveform at Detection Threshold +1dB.
- (6) Observe the transmissions of the EUT at the end of the radar Burst on the Operating Channel. Measure and record the transmissions from the UUT during the observation time (Channel Move Time). One 15 seconds plot is reported for the Short Pulse Radar Type 0. The plot for the Short Pulse Radar Types start at the end of the radar burst. The Channel Move Time will be calculated based on the zoom in 600ms plot of the Short Pulse Radar Type.
- (7) Measurement of the aggregate duration of the Channel Closed Transmission Time method. With the spectrum analyzer set to zero span tuned to the center frequency of the EUT operating channel at the radar simulated frequency, peak detection, and max hold, the dwell time per bin is given by: $Dwell (0.3ms) = S (12000ms) / B (4000)$; where Dwell is the dwell time per spectrum analyzer sampling bin, S is sweep time and B is the number of spectrum analyzer sampling bins. An upper bound of the aggregate duration of the intermittent control signals of Channel Closing Transmission Time is calculated by: $C (ms) = N \times Dwell (0.3ms)$; where C is the Closing Time, N is the number of spectrum analyzer sampling bins

(intermittent control signals) showing a U-NII transmission and Dwell is the dwell time per bin.

Measurement the EUT for more than 30 minutes following the channel move time to verify that no transmission or beacons occur on this channel.

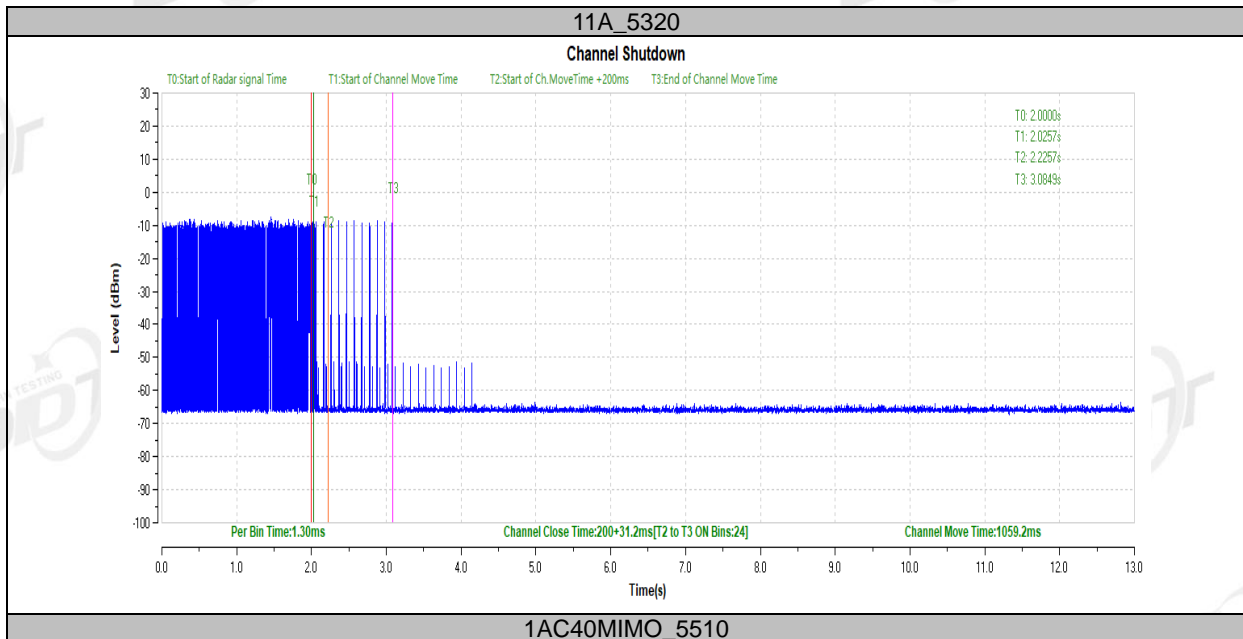
7.3. Test setup

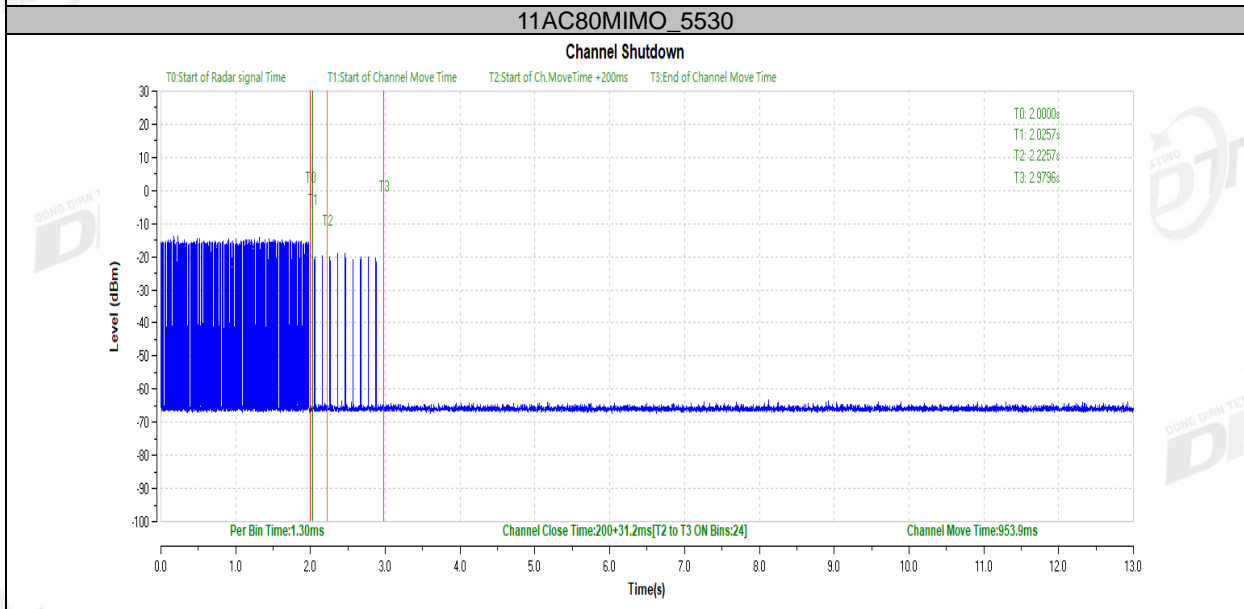
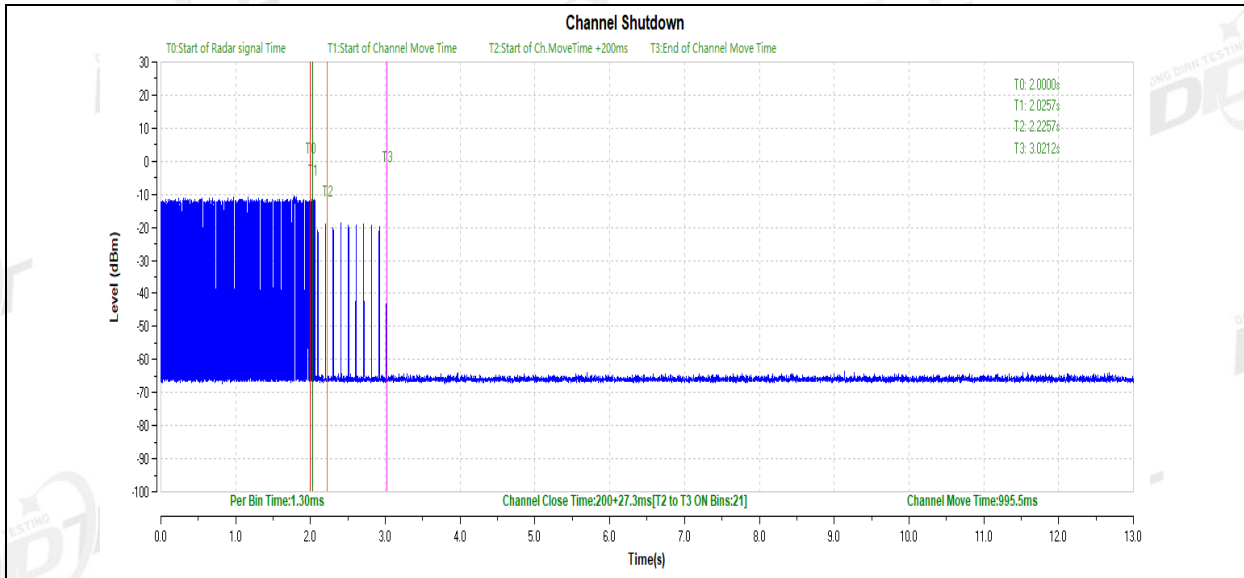


7.4. Test result

Channel Move Time and Channel Closing Transmission Time:

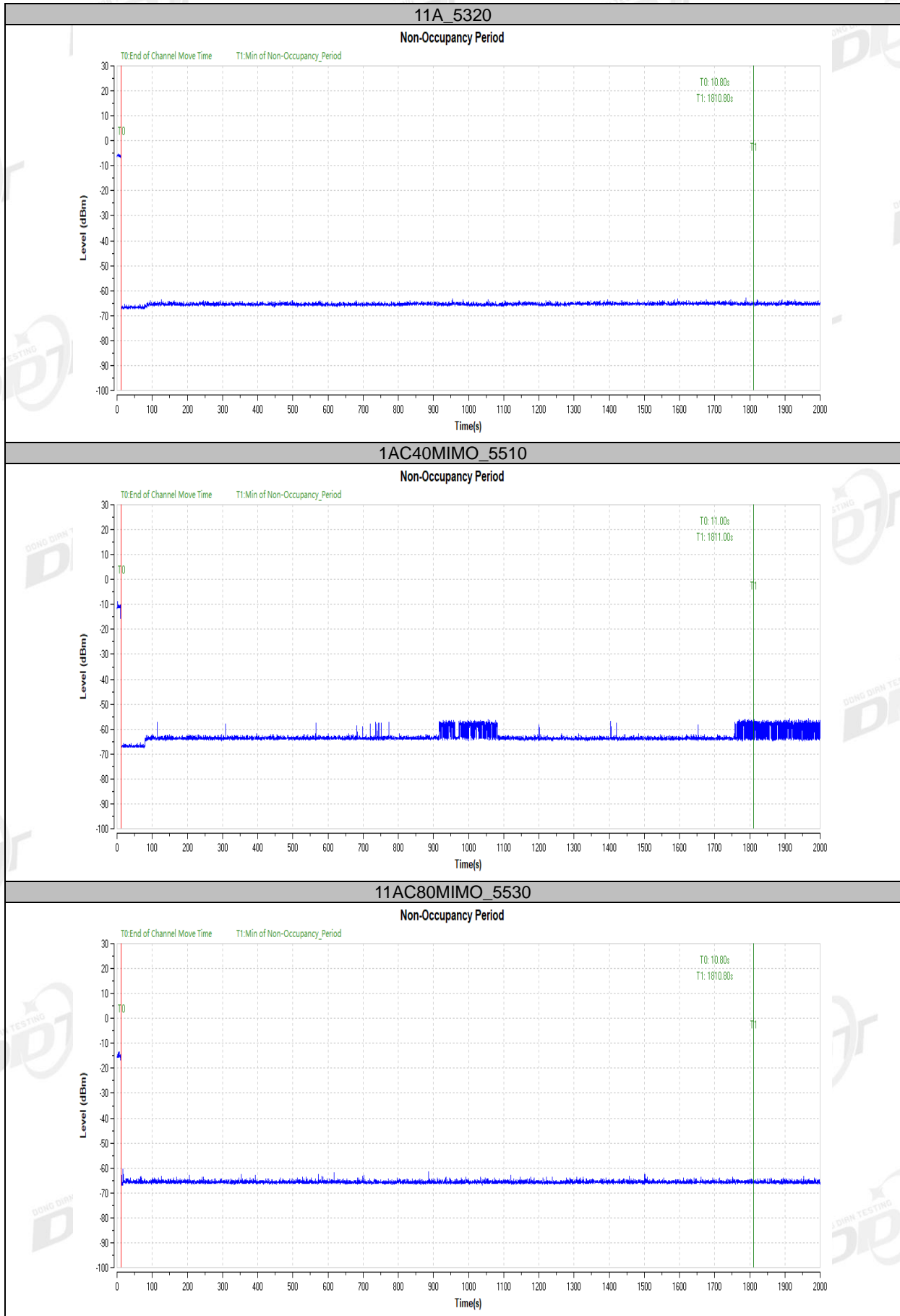
Frequency[MHz]	CCTT[ms]	Limit[ms]	CMT[ms]	Limit[ms]	Verdict
5320	200+31.2	200+60	1059.2	10000	PASS
5510	200+27.3	200+60	995.5	10000	PASS
5530	200+31.2	200+60	953.9	10000	PASS





Non-Occupancy Period:

Frequency[MHz]	Result	Limit[s]	Verdict
5320	see test graph	≥1800	PASS
5510	see test graph	≥1800	PASS
5530	see test graph	≥1800	PASS



7.5. Detection Bandwidth

7.6. Detection Bandwidth Limit

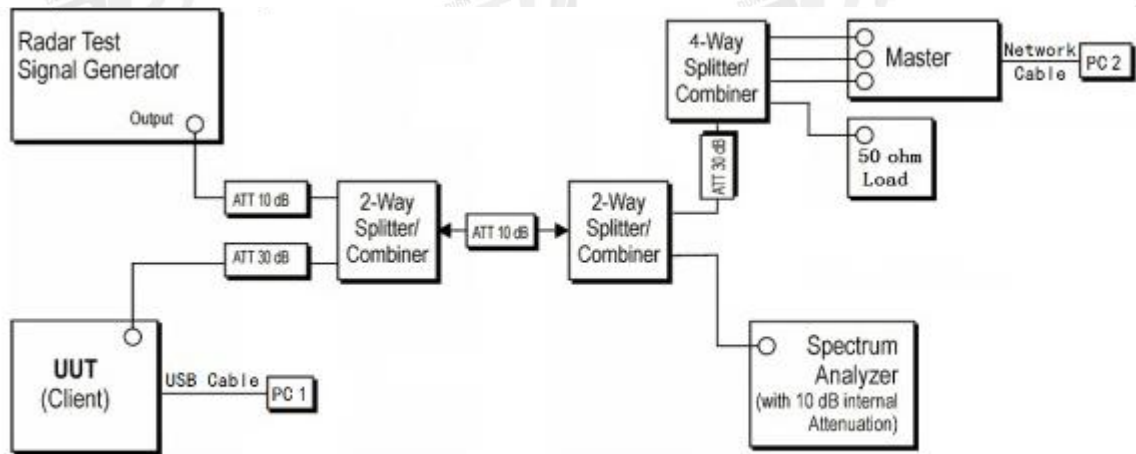
Channel Bandwidth (MHz)	99% Occupied Bandwidth (MHz)	UNII Detection Bandwidth (MHz)
20	18.05	20
40	36.55	38
80	76.11	78

U-NII Detection Bandwidth is Minimum 100% of the U-NII 99% transmission power bandwidth. radar type 0 should be used. For each frequency step the minimum percentage of detection is 90 percent. Measurements are performed with no data traffic.

7.7. Test Procedure

- (1) Starting at the center frequency of the UUT operating Channel, increase the radar frequency in 5 MHz steps, repeating the above test sequence, until the detection rate falls below the U-NII Detection Bandwidth criterion specified in Table 4. Repeat this measurement in 1MHz steps at frequencies 5 MHz below where the detection rate begins to fall. Record the highest frequency (denote as FH) at which detection is greater than or equal to the U-NII Detection Bandwidth criterion. Recording the detection rate at frequencies above FH is not required to demonstrate compliance. Starting at the center frequency of the UUT operating Channel, decrease the radar frequency in 5 MHz steps, repeating the above test sequence, until the detection rate falls below the U-NII Detection Bandwidth criterion specified in Table 4. Repeat this measurement in 1MHz steps at frequencies 5 MHz above where the detection rate begins to fall. Record the lowest frequency (denote as FL) at which detection is greater than or equal to the U-NII Detection Bandwidth criterion. Recording the detection rate at frequencies below FL is not required to demonstrate compliance.
- (2) The U-NII Detection Bandwidth is calculated as follows: $U\text{-NII Detection Bandwidth} = FH - FL$
- (3) The U-NII Detection Bandwidth must meet the U-NII Detection Bandwidth criterion specified in Table 4. Otherwise, the UUT does not comply with DFS requirements. This is essential to ensure that the UUT is capable of detecting Radar Waveforms across the same frequency spectrum that contains the significant energy from the system. In the case that the U-NII Detection Bandwidth is greater than or equal to the 99 percent power bandwidth for the measured FH and FL, the test can be truncated and the U-NII Detection Bandwidth can be reported as the measured FH and FL.

7.8. Test setup



7.9. Test Result

Frequency (MHz)	Bandwidth Systems (MHz)	F _L (MHz)	F _H (MHz)	Detection Bandwidth (MHz)	99% Occupied Bandwidth (MHz)	Limit	Result
5320	20	5310	5330	20	18.05	100%	Pass
5510	40	5490	5530	40	36.55	100%	Pass
5530	80	5492	5568	77	76.11	100%	Pass

20MHz Bandwidth, EUT Frequency = 5320MHz											
DFS Detection Trials (1 = Detected, 0 = No Detected)											
Radar Frequency (MHz)	1	2	3	4	5	6	7	8	9	10	Detection Rate (%)
5310(F _L)	1	1	1	1	1	1	1	1	1	1	100
5315	1	1	1	1	1	1	1	1	1	1	100
5320	1	1	1	1	1	1	1	1	1	1	100
5325	1	1	1	1	1	1	1	1	1	1	100
5330(F _H)	1	1	1	1	1	1	1	1	1	1	100
Detection Bandwidth = F _H - F _L = 5330-5310 = 20 MHz											
EUT 99% BW = 18.05 MHz;											Result: Pass

40MHz Bandwidth, EUT Frequency = 5510MHz											
DFS Detection Trials (1 = Detected, 0 = No Detected)											
Radar Frequency (MHz)	1	2	3	4	5	6	7	8	9	10	Detection Rate (%)
5490(F _L)	1	1	1	1	1	1	1	1	1	1	100
5495	1	1	1	1	1	1	1	1	1	1	100
5500	1	1	1	1	1	1	1	1	1	1	100
5505	1	1	1	1	1	1	1	1	1	1	100
5510	1	1	1	1	1	1	1	1	1	1	100
5515	1	1	1	1	1	1	1	1	1	1	100
5520	1	1	1	1	1	1	1	1	1	1	100
5525	1	1	1	1	1	1	1	1	1	1	100
5530(F _H)	1	1	1	1	1	1	1	1	1	1	100
Detection Bandwidth = F _H - F _L = 5530-5490 = 40 MHz											

EUT 99% BW = 36.55 MHz; Result: Pass

80MHz Bandwidth, EUT Frequency = 5530MHz											
DFS Detection Trials (1 = Detected, 0 = No Detected)											
Radar Frequency (MHz)	1	2	3	4	5	6	7	8	9	10	Detection Rate (%)
5490(F _L)	1	1	1	1	1	1	1	1	1	1	100
5495	1	1	1	1	1	1	1	1	1	1	100
5500	1	1	1	1	1	1	1	1	1	1	100
5505	1	1	1	1	1	1	1	1	1	1	100
5510	1	1	1	1	1	1	1	1	1	1	100
5515	1	1	1	1	1	1	1	1	1	1	100
5520	1	1	1	1	1	1	1	1	1	1	100
5525	1	1	1	1	1	1	1	1	1	1	100
5530	1	1	1	1	1	1	1	1	1	1	100
5535	1	1	1	1	1	1	1	1	1	1	100
5540	1	1	1	1	1	1	1	1	1	1	100
5545	1	1	1	1	1	1	1	1	1	1	100
5550	1	1	1	1	1	1	1	1	1	1	100
5555	1	1	1	1	1	1	1	1	1	1	100
5560	1	1	1	1	1	1	1	1	1	1	100
5565	1	1	1	1	1	1	1	1	1	1	100
5570(F _H)	1	1	1	1	1	1	1	1	1	1	100
Detection Bandwidth = F _H - F _L = 5570-5490 = 80MHz											
EUT 99% BW = 76.11 MHz;											Result: Pass

8. Statistical Performance Check

8.1. Statistical Performance Check Limit

Radar Type	Minimum Percentage of Successful Detection	Minimum Trials
1	60%	30
2	60%	30
3	60%	30
4	60%	30
Aggregate (Type1 to 4)	80%	120
5	80%	30
6	70%	30

$$\frac{\text{TotalWaveformDetections}}{\text{TotalWaveformTrials}} \times 100 = \text{Percentage of Successful Detection Radar Waveform } N = P_d N$$

In addition an aggregate minimum percentage of successful detection across all Short Pulse Radar Types 1-4 is required and is calculated as follows:

$$\frac{P_d 1 + P_d 2 + P_d 3 + P_d 4}{4}$$

8.2. Test Procedure

The steps below define the procedure to determine the minimum percentage of successful detection requirements found in Tables 5-7 when a radar burst with a level equal to the DFS Detection Threshold + 1dB is generated on the Operating Channel of the U-NII device (In-Service Monitoring).

- a) One frequency will be chosen from the Operating Channels of the UUT within the 5250-5350 MHz or 5470-5725 MHz bands.
- b) In case the UUT is a U-NII device operating as a Client Device (with or without Radar Detection), a U-NII device operating as a Master Device will be used to allow the UUT (Client device) to Associate with the Master Device. In case the UUT is a Master Device, a U-NII device operating as a Client Device will be used and it is assumed that the Client will Associate with the UUT (Master). In both cases for conducted tests, the Radar Waveform generator will be connected to the Master Device. For radiated tests, the emissions of the Radar Waveform generator will be directed towards the Master Device. If the Master Device has antenna gain, the main beam of the antenna will be directed toward the radar emitter. Vertical polarization is used for testing.
- c) Stream the channel loading test file from the Master Device to the Client Device on the test Channel for the entire period of the test.

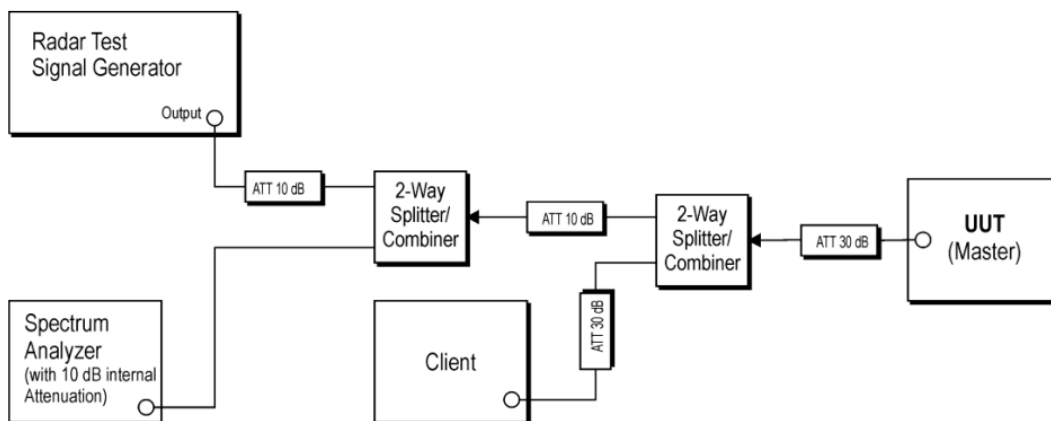
d) At time T0 the Radar Waveform generator sends the individual waveform for each of the Radar Types 1- 6 in Tables 5-7, at levels defined in Table 3, on the Operating Channel. An additional 1 dB is added to the radar test signal to ensure it is at or above the DFS Detection Threshold, accounting for equipment variations/errors.

e) Observe the transmissions of the UUT at the end of the Burst on the Operating Channel for duration greater than 10 seconds for Radar Type 0 to ensure detection occurs.

f) Observe the transmissions of the UUT at the end of the Burst on the Operating Channel for duration greater than 22 seconds for Long Pulse Radar Type 5 to ensure detection occurs.

g) In case the UUT is a U-NII device operating as a Client Device with In-Service Monitoring, perform steps a) to f).

8.3. Test setup



8.4. Test Result

Bandwidth [MHz]	Frequency [MHz]	Radar Type	Pass Times	Fail Times	Probability (%)	Limit (%)	Verdict
20	5320	Type1	29	1	96.67	60	PASS
		Type2	27	3	90.01	60	PASS
		Type3	28	2	93.33	60	PASS
		Type4	29	1	96.67	60	PASS
		Type 1-4	---	---	94.17	80	PASS
		Type5	30	0	100.00	70	PASS
40	5510	Type1	29	1	96.67	60	PASS
		Type2	27	3	90.01	60	PASS
		Type3	28	2	93.33	60	PASS
		Type4	30	0	100	60	PASS
		Type 1-4	---	---	95	80	PASS
		Type5	29	1	96.67	70	PASS
80	5530	Type1	29	1	96.67	60	PASS
		Type2	26	4	86.67	60	PASS
		Type3	28	2	93.33	60	PASS
		Type4	29	1	96.67	60	PASS
		Type 1-4	---	---	93.34	80	PASS
		Type5	30	0	100.00	70	PASS
		Type6	30	0	100.00	80	PASS

Bandwidth [MHz]	Frequency [MHz]	Radar Type	Trial ID	Pulse width(μs)	PRI(μs)	Pulses per Burst	Detection (1: Yes; 0: No)
20	5320	Type1	0	1.0	938.0	57	1
		Type1	1	1.0	698.0	76	1
		Type1	2	1.0	618.0	86	1
		Type1	3	1.0	538.0	99	0
		Type1	4	1.0	878.0	61	1
		Type1	5	1.0	3066.0	18	1
		Type1	6	1.0	638.0	83	1
		Type1	7	1.0	918.0	58	1
		Type1	8	1.0	838.0	63	1
		Type1	9	1.0	858.0	62	1
		Type1	10	1.0	798.0	67	1
		Type1	11	1.0	718.0	74	1
		Type1	12	1.0	578.0	92	1
		Type1	13	1.0	598.0	89	1
		Type1	14	1.0	558.0	95	1
		Type1	15	1.0	2536.0	21	1
		Type1	16	1.0	966.0	55	1
		Type1	17	1.0	827.0	64	1
		Type1	18	1.0	2501.0	22	1
		Type1	19	1.0	2595.0	21	1
		Type1	20	1.0	1114.0	48	1
		Type1	21	1.0	1302.0	41	1
		Type1	22	1.0	3045.0	18	1
		Type1	23	1.0	1624.0	33	1
		Type1	24	1.0	2878.0	19	1
		Type1	25	1.0	1027.0	52	1
		Type1	26	1.0	2485.0	22	1
		Type1	27	1.0	1600.0	33	1
		Type1	28	1.0	1172.0	46	1
		Type1	29	1.0	1177.0	45	1
Type2	0	3.2	179.0	26	1		
Type2	1	1.1	207.0	23	1		
Type2	2	2.1	230.0	24	1		
Type2	3	4.8	200.0	29	1		

Type2	4	3.9	214.0	28	1
Type2	5	2.9	222.0	26	0
Type2	6	3.2	204.0	26	1
Type2	7	2.5	192.0	25	1
Type2	8	3.1	164.0	26	1
Type2	9	1.2	156.0	23	1
Type2	10	3.9	210.0	27	1
Type2	11	4.6	201.0	29	1
Type2	12	3.2	162.0	26	1
Type2	13	2.2	197.0	25	1
Type2	14	4.5	163.0	29	1
Type2	15	3.0	203.0	26	1
Type2	16	5.0	168.0	29	1
Type2	17	2.4	217.0	25	1
Type2	18	2.9	191.0	26	1
Type2	19	2.3	166.0	25	1
Type2	20	3.7	150.0	27	1
Type2	21	2.2	176.0	25	1
Type2	22	4.9	195.0	29	0
Type2	23	2.9	202.0	26	1
Type2	24	2.5	178.0	25	1
Type2	25	1.1	206.0	23	1
Type2	26	3.8	155.0	27	1
Type2	27	4.7	157.0	29	1
Type2	28	2.4	224.0	25	1
Type2	29	4.2	159.0	28	0
Type3	0	8.2	355.0	17	1
Type3	1	6.1	487.0	16	1
Type3	2	7.1	344.0	16	1
Type3	3	9.8	288.0	18	1
Type3	4	8.9	230.0	18	0
Type3	5	7.9	432.0	17	1
Type3	6	8.2	207.0	17	1
Type3	7	7.5	443.0	17	1
Type3	8	8.1	439.0	17	0
Type3	9	6.2	223.0	16	1
Type3	10	8.9	208.0	18	1
Type3	11	9.6	463.0	18	1
Type3	12	8.2	441.0	17	1
Type3	13	7.2	323.0	16	1
Type3	14	9.5	297.0	18	1
Type3	15	8.0	412.0	17	1
Type3	16	10.0	324.0	18	1
Type3	17	7.4	271.0	17	1
Type3	18	7.9	349.0	17	1
Type3	19	7.3	409.0	16	1
Type3	20	8.7	373.0	18	1
Type3	21	7.2	254.0	16	1
Type3	22	9.9	274.0	18	1
Type3	23	7.9	278.0	17	1
Type3	24	7.5	317.0	17	1
Type3	25	6.1	260.0	16	1
Type3	26	8.8	211.0	18	1
Type3	27	9.7	272.0	18	1
Type3	28	7.4	264.0	17	1
Type3	29	9.2	284.0	18	1
Type4	0	16.0	355.0	14	1
Type4	1	11.3	487.0	12	0
Type4	2	13.5	344.0	13	1
Type4	3	19.4	288.0	16	1
Type4	4	17.5	230.0	15	1
Type4	5	15.3	432.0	14	1
Type4	6	15.9	207.0	14	1

	Type4	7	14.3	443.0	13	1
	Type4	8	15.8	439.0	14	1
	Type4	9	11.5	223.0	12	1
	Type4	10	17.4	208.0	15	1
	Type4	11	19.0	463.0	16	1
	Type4	12	16.0	441.0	14	1
	Type4	13	13.8	323.0	13	1
	Type4	14	18.9	297.0	16	1
	Type4	15	15.5	412.0	14	1
	Type4	16	19.9	324.0	16	1
	Type4	17	14.1	271.0	13	1
	Type4	18	15.2	349.0	14	1
	Type4	19	13.8	409.0	13	1
	Type4	20	17.1	373.0	15	1
	Type4	21	13.8	254.0	13	1
	Type4	22	19.8	274.0	16	1
	Type4	23	15.3	278.0	14	1
	Type4	24	14.5	317.0	13	1
	Type4	25	11.3	260.0	12	1
	Type4	26	17.3	211.0	15	1
	Type4	27	19.2	272.0	16	1
	Type4	28	14.2	264.0	13	1
	Type4	29	18.2	284.0	15	1

Radars Type 5 Statistical Performance

Test Mode	Frequency [MHz]	Radars Type	Trial ID	Number Of Bursts	Waveform Length (s)	Radars Frequency	Detection (1: Yes; 0: No)
20 MHz	5320	Type5	0	15	12	5320	1
		Type5	1	8	12	5320	1
		Type5	2	11	12	5320	1
		Type5	3	20	12	5320	1
		Type5	4	17	12	5320	1
		Type5	5	14	12	5320	1
		Type5	6	15	12	5320	1
		Type5	7	12	12	5320	1
		Type5	8	14	12	5320	1
		Type5	9	8	12	5320	1
		Type5	10	17	12	5317.8285	1
		Type5	11	19	12	5319.0285	1
		Type5	12	15	12	5316.6285	1
		Type5	13	12	12	5315.4285	1
		Type5	14	19	12	5318.6285	1
		Type5	15	14	12	5316.2285	1
		Type5	16	20	12	5319.4285	1
		Type5	17	12	12	5315.4285	1
		Type5	18	14	12	5316.2285	1
		Type5	19	12	12	5315.4285	1
		Type5	20	16	12	5322.5715	1
		Type5	21	12	12	5324.9715	1
		Type5	22	20	12	5320.5715	1
		Type5	23	14	12	5323.7715	1
		Type5	24	13	12	5324.1715	1
		Type5	25	8	12	5326.5715	1
		Type5	26	17	12	5322.1715	1
		Type5	27	19	12	5320.9715	1
		Type5	28	12	12	5324.5715	1
Type5	29	18	12	5321.7715	1		

Statistics 0 (Chirp Center Frequency: 5320 MHz)

Trial #	Burst Offset(us)	Pulse Width (μS)	Chirp(MHz)	Number of Pulses per Burst	PRI-1(μS)	PRI-2(μS)	PRI-3(μS)
---------	------------------	------------------	------------	----------------------------	-----------	-----------	-----------

0	636185.0	77.8	13	2	1665.0	1477.0	-
1	32674.0	51.9	13	1	1074.0	-	-
2	226294.0	63.8	13	1	1584.0	-	-
3	417976.0	96.6	13	3	1682.0	1786.0	1843.0
4	611152.0	85.9	13	3	1795.0	1215.0	1729.0
5	8789.0	73.7	13	2	1198.0	1549.0	-
6	201917.0	77.2	13	2	1837.0	1819.0	-
7	395530.0	68.4	13	2	1587.0	1114.0	-
8	588564.0	76.7	13	2	2000.0	1155.0	-
9	783794.0	53.2	13	1	1147.0	-	-
10	177933.0	85.7	13	3	1433.0	1695.0	1394.0
11	370624.0	94.3	13	3	1670.0	1426.0	1935.0
12	564893.0	77.6	13	2	1294.0	1671.0	-
13	759583.0	65.7	13	1	1512.0	-	-
14	154262.0	93.5	13	3	1444.0	1130.0	1468.0

Statistics 1 (Chirp Center Frequency: 5320 MHz)

Trial #	Burst Offset(us)	Pulse Width (μS)	Chirp(MHz)	Number of Pulses per Burst	PRI-1(μS)	PRI-2(μS)	PRI-3(μS)
0	653020.0	75.0	5	2	1880.0	1527.0	-
1	1015643.0	99.4	5	3	1401.0	1262.0	1257.0
2	1379398.0	67.4	5	2	1531.0	1403.0	-
3	245489.0	73.6	5	2	1449.0	1041.0	-
4	609113.0	65.9	5	1	1432.0	-	-
5	970852.0	83.8	5	3	1356.0	1292.0	1419.0
6	1335913.0	65.5	5	1	1543.0	-	-
7	200406.0	98.6	5	3	1548.0	1796.0	1728.0

Statistics 2 (Chirp Center Frequency: 5320 MHz)

Trial #	Burst Offset(us)	Pulse Width (μS)	Chirp(MHz)	Number of Pulses per Burst	PRI-1(μS)	PRI-2(μS)	PRI-3(μS)
0	409565.0	73.8	9	2	1806.0	1538.0	-
1	673692.0	69.5	9	2	1117.0	1649.0	-
2	938562.0	51.9	9	1	1651.0	-	-
3	113209.0	84.6	9	3	1976.0	1032.0	1271.0
4	376726.0	95.4	9	3	1060.0	1903.0	1388.0
5	641212.0	68.0	9	2	1368.0	1351.0	-
6	903714.0	89.6	9	3	1338.0	1514.0	1573.0
7	80863.0	81.9	9	2	1022.0	1689.0	-
8	344067.0	88.3	9	3	1810.0	1330.0	1838.0
9	609331.0	53.7	9	1	1597.0	-	-
10	871542.0	91.3	9	3	1961.0	1106.0	1001.0

Statistics 3 (Chirp Center Frequency: 5320 MHz)

Trial #	Burst Offset(us)	Pulse Width (μS)	Chirp(MHz)	Number of Pulses per Burst	PRI-1(μS)	PRI-2(μS)	PRI-3(μS)
0	26541.0	68.1	19	2	1339.0	1355.0	-
1	171821.0	58.7	19	1	1251.0	-	-
2	316229.0	75.3	19	2	1136.0	1640.0	-
3	461864.0	56.4	19	1	1753.0	-	-
4	8677.0	99.7	19	3	1196.0	1708.0	1159.0
5	153995.0	57.7	19	1	1013.0	-	-
6	299238.0	59.5	19	1	1072.0	-	-
7	443177.0	80.0	19	2	1482.0	1369.0	-
8	587671.0	82.0	19	2	1993.0	1197.0	-
9	135674.0	82.8	19	2	1883.0	1005.0	-
10	279928.0	88.0	19	3	1061.0	1928.0	1101.0
11	424279.0	93.2	19	3	1207.0	1907.0	1223.0
12	570132.0	70.4	19	2	1526.0	1360.0	-
13	117439.0	95.3	19	3	1171.0	1955.0	1775.0
14							
15	262502.0	81.9	19	2	1690.0	1545.0	-
16	406573.0	98.5	19	3	1975.0	1169.0	1062.0
17	553328.0	65.0	19	1	1767.0	-	-
18	99799.0	85.4	19	3	1011.0	1637.0	1425.0
19	244095.0	91.6	19	3	1878.0	1445.0	1325.0

Statistics 4 (Chirp Center Frequency: 5320 MHz)

Trial #	Burst Offset(us)	Pulse Width (μ S)	Chirp(MHz)	Number of Pulses per Burst	PRI-1(μ S)	PRI-2(μ S)	PRI-3(μ S)
0	629614.0	67.9	16	2	1320.0	1133.0	-
1	96856.0	62.3	16	1	1957.0	-	-
2	267719.0	53.3	16	1	1592.0	-	-
3	436784.0	90.0	16	3	1900.0	1153.0	1346.0
4	608289.0	77.1	16	2	1166.0	1646.0	-
5	75610.0	83.9	16	3	1278.0	1232.0	1459.0
6	245638.0	89.1	16	3	1240.0	1384.0	1939.0
7	416355.0	81.8	16	2	1833.0	1676.0	-
8	588736.0	50.3	16	1	1075.0	-	-
9	54571.0	87.1	16	3	1116.0	1996.0	1756.0
10	225175.0	71.3	16	2	1225.0	1815.0	-
11	394825.0	97.5	16	3	1884.0	1465.0	1132.0
12	565361.0	90.6	16	3	1561.0	1040.0	1354.0
13	33643.0	86.3	16	3	1596.0	1183.0	1792.0
14	203957.0	97.6	16	3	1365.0	1073.0	1361.0
15	373812.0	84.7	16	3	1021.0	1718.0	1854.0
16	544060.0	99.7	16	3	1150.0	1244.0	1988.0

Statistics 5 (Chirp Center Frequency: 5320 MHz)

Trial #	Burst Offset(us)	Pulse Width (μ S)	Chirp(MHz)	Number of Pulses per Burst	PRI-1(μ S)	PRI-2(μ S)	PRI-3(μ S)
0	15438.0	92.9	12	3	1085.0	1564.0	1407.0
1	222486.0	67.7	12	2	1744.0	1747.0	-
2	430731.0	65.8	12	1	1092.0	-	-
3	637784.0	56.3	12	1	1851.0	-	-
4	845342.0	53.7	12	1	1727.0	-	-
5	196720.0	83.5	12	3	1679.0	1930.0	1025.0
6	404955.0	65.8	12	1	1519.0	-	-
7	610711.0	85.9	12	3	1134.0	1034.0	1808.0
8	818057.0	76.3	12	2	1606.0	1926.0	-
9	171459.0	81.5	12	2	1891.0	1714.0	-
10	377969.0	89.4	12	3	1310.0	1594.0	1827.0
11	586875.0	63.4	12	1	1568.0	-	-
12	792834.0	69.6	12	2	1307.0	1925.0	-
13	146044.0	74.5	12	2	1264.0	1846.0	-

Statistics 6 (Chirp Center Frequency: 5320 MHz)

Trial #	Burst Offset(us)	Pulse Width (μ S)	Chirp(MHz)	Number of Pulses per Burst	PRI-1(μ S)	PRI-2(μ S)	PRI-3(μ S)
0	329022.0	96.6	13	3	1182.0	1609.0	1581.0
1	521718.0	96.7	13	3	1829.0	1799.0	1154.0
2	714222.0	86.5	13	3	1923.0	1396.0	1865.0
3	112450.0	73.3	13	2	1908.0	1318.0	-
4	306283.0	55.8	13	1	1688.0	-	-
5	500239.0	55.4	13	1	1145.0	-	-
6	690932.0	85.3	13	3	1336.0	1504.0	1820.0
7	88645.0	79.4	13	2	1344.0	1893.0	-
8	282508.0	65.7	13	1	1476.0	-	-
9	475842.0	68.6	13	2	1008.0	1028.0	-
10	667887.0	77.7	13	2	1972.0	1835.0	-

11	64845.0	79.6	13	2	1882.0	1331.0	-
12	257755.0	94.9	13	3	1830.0	1070.0	1349.0
13	452335.0	61.4	13	1	1451.0	-	-
14	643395.0	90.6	13	3	1233.0	1562.0	1887.0
15	329022.0	96.6	13	3	1182.0	1609.0	1581.0

Statistics 7 (Chirp Center Frequency: 5320 MHz)

Trial #	Burst Offset(us)	Pulse Width (μS)	Chirp(MHz)	Number of Pulses per Burst	PRI-1(μS)	PRI-2(μS)	PRI-3(μS)
0	51446.0	52.6	10	1	1210.0	-	-
1	292696.0	84.1	10	3	1314.0	1725.0	1529.0
2	533989.0	97.7	10	3	1139.0	1868.0	1805.0
3	775564.0	97.3	10	3	1341.0	1446.0	1755.0
4	21542.0	98.8	10	3	1544.0	1386.0	1302.0
5	263385.0	72.2	10	2	1771.0	1184.0	-
6	505581.0	67.6	10	2	1175.0	1027.0	-
7	747058.0	75.7	10	2	1026.0	1871.0	-
8	989976.0	60.9	10	1	1798.0	-	-
9	234024.0	64.2	10	1	1138.0	-	-
10	475207.0	78.8	10	2	1784.0	1604.0	-
11	715825.0	87.5	10	3	1511.0	1712.0	1683.0

Statistics 8 (Chirp Center Frequency: 5320 MHz)

Trial #	Burst Offset(us)	Pulse Width (μS)	Chirp(MHz)	Number of Pulses per Burst	PRI-1(μS)	PRI-2(μS)	PRI-3(μS)
0	823112.0	54.1	13	1	1415.0	-	-
1	174965.0	50.7	13	1	1221.0	-	-
2	382216.0	52.3	13	1	1974.0	-	-
3	587395.0	99.8	13	3	1558.0	1696.0	1949.0
4	796897.0	68.4	13	2	1014.0	1099.0	-
5	149042.0	80.8	13	2	1736.0	1505.0	-
6	356750.0	62.5	13	1	1778.0	-	-
7	563824.0	74.8	13	2	1149.0	1204.0	-
8	772314.0	50.8	13	1	1049.0	-	-
9	123796.0	54.0	13	1	1417.0	-	-
10	331215.0	63.0	13	1	1730.0	-	-
11	537402.0	91.8	13	3	1143.0	1270.0	1347.0
12	744805.0	79.3	13	2	1274.0	1992.0	-
13	98172.0	64.3	13	1	1937.0	-	-

Statistics 9 (Chirp Center Frequency: 5320 MHz)

Trial #	Burst Offset(us)	Pulse Width (μS)	Chirp(MHz)	Number of Pulses per Burst	PRI-1(μS)	PRI-2(μS)	PRI-3(μS)
0	535615.0	63.4	6	1	1043.0	-	-
1	898668.0	52.0	6	1	1863.0	-	-
2	1259235.0	97.2	6	3	1973.0	1605.0	1583.0
3	127106.0	78.7	6	2	1466.0	1743.0	-
4	490358.0	74.2	6	2	1280.0	1219.0	-
5	852409.0	88.7	6	3	1293.0	1934.0	1273.0
6	1217152.0	54.3	6	1	1991.0	-	-
7	82296.0	95.4	6	3	1580.0	1555.0	1791.0

Statistics 10 (Chirp Center Frequency: 5316.4 MHz)

Trial #	Burst Offset(us)	Pulse Width (μS)	Chirp(MHz)	Number of Pulses per Burst	PRI-1(μS)	PRI-2(μS)	PRI-3(μS)
0	209249.0	73.7	16	2	1208.0	1497.0	-
1	378386.0	97.4	16	3	1942.0	1754.0	1613.0
2	548411.0	91.7	16	3	1999.0	1702.0	1462.0
3	17733.0	66.2	16	1	1393.0	-	-
4	187952.0	70.8	16	2	1968.0	1821.0	-
5	359277.0	52.3	16	1	1740.0	-	-
6	528886.0	78.9	16	2	1308.0	1984.0	-
7	700166.0	70.9	16	2	1050.0	1358.0	-
8	167197.0	75.6	16	2	1437.0	1430.0	-
9	338262.0	59.1	16	1	1697.0	-	-
10	508324.0	77.0	16	2	1397.0	1304.0	-
11	678689.0	67.9	16	2	1803.0	1083.0	-
12	146031.0	81.2	16	2	1720.0	1932.0	-
13	316923.0	78.7	16	2	1247.0	1121.0	-
14	488056.0	63.3	16	1	1634.0	-	-
15	657326.0	68.9	16	2	1849.0	1423.0	-
16	125509.0	59.3	16	1	1093.0	-	-

Statistics 11 (Chirp Center Frequency: 5317.6MHz)

Trial #	Burst Offset(us)	Pulse Width (μS)	Chirp(MHz)	Number of Pulses per Burst	PRI-1(μS)	PRI-2(μS)	PRI-3(μS)
0	263736.0	98.9	19	3	1381.0	1680.0	1488.0
1	416459.0	82.3	19	2	1716.0	1855.0	-
2	567902.0	86.7	19	3	1211.0	1400.0	1919.0
3	92979.0	89.7	19	3	1861.0	1068.0	1282.0
4	245155.0	98.6	19	3	1507.0	1194.0	1461.0
5	397609.0	71.1	19	2	1921.0	1789.0	-
6	551431.0	55.9	19	1	1947.0	-	-
7	74413.0	67.9	19	2	1350.0	1372.0	-
8	226559.0	84.4	19	3	1203.0	1107.0	1443.0
9	380056.0	58.8	19	1	1715.0	-	-
10	533408.0	65.6	19	1	1017.0	-	-
11	55547.0	78.5	19	2	1911.0	1704.0	-
12	207876.0	82.3	19	2	1845.0	1686.0	-
13	359771.0	90.1	19	3	1938.0	1071.0	1266.0
14	511297.0	90.2	19	3	1989.0	1089.0	1950.0
15	36803.0	83.1	19	2	1943.0	1406.0	-
16	189652.0	58.8	19	1	1742.0	-	-
17	341809.0	77.0	19	2	1187.0	1657.0	-
18	495737.0	55.0	19	1	1012.0	-	-

Statistics 12 (Chirp Center Frequency: 5315.2MHz)

Trial #	Burst Offset(us)	Pulse Width (μS)	Chirp(MHz)	Number of Pulses per Burst	PRI-1(μS)	PRI-2(μS)	PRI-3(μS)
0	22911.0	58.1	13	1	1929.0	-	-
1	216473.0	52.1	13	1	1910.0	-	-
2	410004.0	59.9	13	1	1971.0	-	-
3	603671.0	60.2	13	1	1812.0	-	-
4	794160.0	95.9	13	3	1399.0	1906.0	1608.0
5	192251.0	79.9	13	2	1626.0	1859.0	-

6	385590.0	78.5	13	2	1238.0	1917.0	-
7	579862.0	53.8	13	1	1763.0	-	-
8	773423.0	64.7	13	1	1800.0	-	-
9	168898.0	61.4	13	1	1390.0	-	-
10	361606.0	83.2	13	2	1692.0	1858.0	-
11	553866.0	84.7	13	3	1533.0	1677.0	1638.0
12	747241.0	88.7	13	3	1703.0	1528.0	1058.0
13	144710.0	78.3	13	2	1258.0	1951.0	-
14	337856.0	69.3	13	2	1731.0	1717.0	-

Statistics 13 (ChirpCenter Frequency: 5314MHz)

Trial #	Burst Offset(us)	Pulse Width (μS)	Chirp(MHz)	Number of Pulses per Burst	PRI-1(μS)	PRI-2(μS)	PRI-3(μS)
0	664275.0	75.3	10	2	1994.0	1612.0	-
1	907886.0	56.3	10	1	1456.0	-	-
2	151316.0	67.7	10	2	1617.0	1185.0	-
3	393746.0	55.6	10	1	1337.0	-	-
4	635093.0	75.2	10	2	1421.0	1267.0	-
5	876993.0	76.3	10	2	1359.0	1305.0	-
6	121278.0	85.7	10	3	1547.0	1362.0	1924.0
7	362696.0	98.4	10	3	1873.0	1550.0	1249.0
8	604342.0	86.4	10	3	1779.0	1439.0	1046.0
9	846453.0	93.6	10	3	1059.0	1031.0	1452.0
10	91871.0	63.3	10	1	1328.0	-	-
11	333050.0	92.4	10	3	1412.0	1673.0	1322.0

Statistics14 (Chirp Center Frequency: 5317.2 MHz)

Trial #	Burst Offset(us)	Pulse Width (μS)	Chirp(MHz)	Number of Pulses per Burst	PRI-1(μS)	PRI-2(μS)	PRI-3(μS)
0	361323.0	93.3	18	3	1983.0	1912.0	1535.0
1	515261.0	69.1	18	2	1102.0	1794.0	-
2	39025.0	86.9	18	3	1044.0	1152.0	1148.0
3	190900.0	84.9	18	3	1894.0	1948.0	1118.0
4	343941.0	72.3	18	2	1094.0	1916.0	-
5	497624.0	51.7	18	1	1447.0	-	-
6	20319.0	58.3	18	1	1429.0	-	-
7	172999.0	60.8	18	1	1979.0	-	-
8	325872.0	57.1	18	1	1641.0	-	-
9	475841.0	88.9	18	3	1886.0	1964.0	1489.0
10	1489.0	72.0	18	2	1909.0	1297.0	-
11	153647.0	90.9	18	3	1261.0	1566.0	1370.0
12	307096.0	59.8	18	1	1552.0	-	-
13	458804.0	70.0	18	2	1759.0	1291.0	-
14	610798.0	67.2	18	2	1625.0	1881.0	-
15	134759.0	91.2	18	3	1382.0	1832.0	1661.0
16	288306.0	56.5	18	1	1483.0	-	-
17	441296.0	51.2	18	1	1237.0	-	-
18	592780.0	74.1	18	2	1471.0	1245.0	-

Statistics 15 (Chirp Center Frequency: 5314.8 MHz)

Trial #	Burst Offset(us)	Pulse Width (μS)	Chirp(MHz)	Number of Pulses per Burst	PRI-1(μS)	PRI-2(μS)	PRI-3(μS)
0	158286.0	76.9	12	2	1110.0	1140.0	-

1	366024.0	50.2	12	1	1316.0	-	-
2	573452.0	62.9	12	1	1520.0	-	-
3	780619.0	64.7	12	1	1902.0	-	-
4	132455.0	83.8	12	3	1410.0	1097.0	1621.0
5	340207.0	65.4	12	1	1944.0	-	-
6	548208.0	53.2	12	1	1024.0	-	-
7	755333.0	51.7	12	1	1603.0	-	-
8	107117.0	78.7	12	2	1804.0	1168.0	-
9	314500.0	72.4	12	2	1030.0	1343.0	-
10	522447.0	53.8	12	1	1327.0	-	-
11	728517.0	73.6	12	2	1524.0	1553.0	-
12	81611.0	66.7	12	2	1722.0	1122.0	-
13	288948.0	82.5	12	2	1404.0	1019.0	-

Statistics 16 (ChirpCenter Frequency: 5318 MHz)

Trial #	Burst Offset(us)	Pulse Width (μ S)	Chirp(MHz)	Number of Pulses per Burst	PRI-1(μ S)	PRI-2(μ S)	PRI-3(μ S)
0	345766.0	87.6	20	3	1565.0	1055.0	1840.0
1	490019.0	85.2	20	3	1735.0	1541.0	1408.0
2	39073.0	84.8	20	3	1534.0	1889.0	1463.0
3	183923.0	77.9	20	2	1749.0	1460.0	-
4	328777.0	76.5	20	2	1518.0	1485.0	-
5	474728.0	60.9	20	1	1540.0	-	-
6	21394.0	83.0	20	2	1080.0	1010.0	-
7	165992.0	80.4	20	2	1824.0	1752.0	-
8	310973.0	67.5	20	2	1764.0	1181.0	-
9	456884.0	62.1	20	1	1495.0	-	-
10	3515.0	86.4	20	3	1773.0	1966.0	1263.0
11	147928.0	84.3	20	3	1593.0	1188.0	1788.0
12	293225.0	76.9	20	2	1226.0	1537.0	-
13	436922.0	95.8	20	3	1192.0	1298.0	1844.0
14	584015.0	55.2	20	1	1644.0	-	-
15	130832.0	59.0	20	1	1402.0	-	-
16	274684.0	94.5	20	3	1296.0	1700.0	1283.0
17	418579.0	91.9	20	3	1970.0	1978.0	1165.0
18	563464.0	85.2	20	3	1732.0	1551.0	1189.0
19	112787.0	69.5	20	2	1038.0	1224.0	-

Statistics 17 (ChirpCenter Frequency: 5314 MHz)

Trial #	Burst Offset(us)	Pulse Width (μ S)	Chirp(MHz)	Number of Pulses per Burst	PRI-1(μ S)	PRI-2(μ S)	PRI-3(μ S)
0	429224.0	86.4	10	3	1259.0	1918.0	1455.0
1	670241.0	92.2	10	3	1598.0	1719.0	1895.0
2	912880.0	80.4	10	2	1816.0	1899.0	-
3	158603.0	54.3	10	1	1335.0	-	-
4	400824.0	53.1	10	1	1303.0	-	-
5	641915.0	69.4	10	2	1503.0	1546.0	-
6	883823.0	69.1	10	2	1279.0	1639.0	-
7	128373.0	100.0	10	3	1375.0	1438.0	1595.0
8	370379.0	79.6	10	2	1239.0	1705.0	-
9	611194.0	88.4	10	3	1374.0	1579.0	1623.0
10	855665.0	53.3	10	1	1016.0	-	-
11	98897.0	65.3	10	1	1709.0	-	-

Statistics 18 (ChirpCenter Frequency: 5314.8 MHz)

Trial #	Burst Offset(us)	Pulse Width (μS)	Chirp(MHz)	Number of Pulses per Burst	PRI-1(μS)	PRI-2(μS)	PRI-3(μS)
0	292143.0	55.3	12	1	1920.0	-	-
1	499633.0	58.3	12	1	1797.0	-	-
2	706377.0	72.3	12	2	1610.0	1039.0	-
3	58989.0	84.8	12	3	1131.0	1761.0	1721.0
4	266161.0	82.5	12	2	1875.0	1431.0	-
5	474469.0	63.3	12	1	1095.0	-	-
6	680544.0	80.0	12	2	1119.0	1913.0	-
7	33519.0	90.3	12	3	1660.0	1853.0	1123.0
8	240319.0	91.1	12	3	1539.0	1783.0	1172.0
9	447400.0	96.6	12	3	1525.0	1036.0	1385.0
10	654516.0	82.7	12	2	1710.0	1990.0	-
11	8083.0	50.7	12	1	1234.0	-	-
12	215435.0	78.4	12	2	1047.0	1109.0	-
13	421325.0	99.5	12	3	1299.0	1965.0	1869.0

Statistics 19 (ChirpCenter Frequency: 5314 MHz)

Trial #	Burst Offset(us)	Pulse Width (μS)	Chirp(MHz)	Number of Pulses per Burst	PRI-1(μS)	PRI-2(μS)	PRI-3(μS)
0	733725.0	88.6	10	3	1501.0	1067.0	1927.0
1	977882.0	57.4	10	1	1723.0	-	-
2	221197.0	96.6	10	3	1086.0	1658.0	1324.0
3	462915.0	69.7	10	2	1751.0	1945.0	-
4	705071.0	77.9	10	2	1642.0	1317.0	-
5	947923.0	62.0	10	1	1866.0	-	-
6	191373.0	88.4	10	3	1997.0	1077.0	1366.0
7	432561.0	97.3	10	3	1790.0	1896.0	1367.0
8	674004.0	96.2	10	3	1391.0	1787.0	1672.0
9	915842.0	95.4	10	3	1020.0	1892.0	1414.0
10	162176.0	54.8	10	1	1084.0	-	-
11	403553.0	80.4	10	2	1850.0	1436.0	-

Statistics 20 (ChirpCenter Frequency: 5324MHz)

Trial #	Burst Offset(us)	Pulse Width (μS)	Chirp(MHz)	Number of Pulses per Burst	PRI-1(μS)	PRI-2(μS)	PRI-3(μS)
0	483470.0	74.7	15	2	1619.0	1611.0	-
1	666072.0	57.1	15	1	1560.0	-	-
2	98810.0	91.9	15	3	1392.0	1475.0	1276.0
3	279914.0	83.1	15	2	1809.0	1772.0	-
4	462536.0	50.7	15	1	1003.0	-	-
5	642324.0	79.2	15	2	1574.0	1600.0	-
6	76831.0	58.7	15	1	1186.0	-	-
7	257785.0	71.0	15	2	1521.0	1567.0	-
8	438554.0	79.0	15	2	1777.0	1960.0	-
9	620397.0	68.5	15	2	1284.0	1428.0	-
10	54310.0	73.5	15	2	1904.0	1352.0	-
11	235506.0	70.5	15	2	1864.0	1115.0	-
12	417036.0	76.6	15	2	1045.0	1300.0	-
13	597974.0	81.2	15	2	1160.0	1675.0	-
14	32086.0	61.8	15	1	1277.0	-	-
15	212751.0	94.9	15	3	1450.0	1206.0	1860.0

Statistics 21 (ChirpCenter Frequency: 5326.4 MHz)

Trial #	Burst Offset(us)	Pulse Width (μS)	Chirp(MHz)	Number of Pulses per Burst	PRI-1(μS)	PRI-2(μS)	PRI-3(μS)
0	526149.0	78.5	9	2	1653.0	1698.0	-
1	767135.0	89.8	9	3	1174.0	1962.0	1167.0
2	12955.0	59.4	9	1	1982.0	-	-
3	254612.0	79.6	9	2	1633.0	1890.0	-
4	496588.0	76.0	9	2	1112.0	1811.0	-
5	739728.0	53.6	9	1	1144.0	-	-
6	980872.0	80.9	9	2	1220.0	1053.0	-
7	225249.0	61.6	9	1	1724.0	-	-
8	467279.0	53.4	9	1	1901.0	-	-
9	709720.0	59.9	9	1	1379.0	-	-
10	951847.0	60.4	9	1	1453.0	-	-
11	194839.0	91.4	9	3	1768.0	1726.0	1227.0

Statistics 22 (Chirp Center Frequency: 5322MHz)

Trial #	Burst Offset(us)	Pulse Width (μS)	Chirp(MHz)	Number of Pulses per Burst	PRI-1(μS)	PRI-2(μS)	PRI-3(μS)
0	261858.0	77.0	20	2	1191.0	1363.0	-
1	407646.0	58.1	20	1	1248.0	-	-
2	552319.0	62.1	20	1	1836.0	-	-
3	99107.0	76.9	20	2	1334.0	1236.0	-
4	243514.0	80.0	20	2	1914.0	1852.0	-
5	389464.0	52.0	20	1	1701.0	-	-
6	531093.0	88.6	20	3	1693.0	1995.0	1905.0
7	81159.0	72.9	20	2	1922.0	1387.0	-
8	225245.0	98.5	20	3	1839.0	1746.0	1389.0
9	371906.0	57.9	20	1	1193.0	-	-
10	514197.0	95.9	20	3	1659.0	1870.0	1066.0
11	63561.0	53.5	20	1	1162.0	-	-
12	207510.0	92.0	20	3	1745.0	1654.0	1458.0
13	353638.0	57.3	20	1	1834.0	-	-
14	497515.0	70.5	20	2	1684.0	1586.0	-
15	45553.0	70.0	20	2	1042.0	1664.0	-
16	189821.0	84.0	20	3	1765.0	1630.0	1176.0
17	335330.0	76.1	20	2	1557.0	1057.0	-
18	478825.0	93.2	20	3	1985.0	1018.0	1340.0
19	27594.0	96.8	20	3	1760.0	1614.0	1817.0

Statistics 23 (Chirp Center Frequency: 5325.2MHz)

Trial #	Burst Offset(us)	Pulse Width (μS)	Chirp(MHz)	Number of Pulses per Burst	PRI-1(μS)	PRI-2(μS)	PRI-3(μS)
0	247117.0	50.1	12	1	1841.0	-	-
1	453362.0	93.5	12	3	1590.0	1081.0	1413.0
2	660875.0	68.8	12	2	1707.0	1577.0	-
3	14140.0	56.3	12	1	1056.0	-	-
4	220734.0	86.0	12	3	1953.0	1108.0	1987.0
5	428367.0	75.2	12	2	1572.0	1536.0	-
6	636681.0	54.4	12	1	1517.0	-	-
7	843157.0	71.1	12	2	1329.0	1243.0	-
8	195585.0	76.2	12	2	1940.0	1770.0	-

9	403231.0	80.2	12	2	1098.0	1209.0	-
10	610202.0	79.7	12	2	1588.0	1214.0	-
11	815229.0	90.9	12	3	1615.0	1862.0	1601.0
12	170267.0	68.7	12	2	1377.0	1441.0	-
13	377306.0	67.4	12	2	1872.0	1313.0	-

Statistics 24 (Chirp Center Frequency: 5325.6 MHz)

Trial #	Burst Offset(us)	Pulse Width (μS)	Chirp(MHz)	Number of Pulses per Burst	PRI-1(μS)	PRI-2(μS)	PRI-3(μS)
0	628071.0	94.0	11	3	1643.0	1748.0	1941.0
1	853391.0	70.8	11	2	1177.0	1201.0	-
2	156223.0	56.3	11	1	1006.0	-	-
3	378734.0	96.7	11	3	1230.0	1163.0	1332.0
4	601331.0	90.6	11	3	1217.0	1582.0	1498.0
5	825462.0	74.5	11	2	1569.0	1281.0	-
6	128265.0	92.6	11	3	1065.0	1669.0	1222.0
7	351161.0	89.0	11	3	1493.0	1135.0	1380.0
8	573425.0	96.5	11	3	1607.0	1822.0	1602.0
9	798431.0	70.5	11	2	1141.0	1178.0	-
10	100737.0	94.0	11	3	1009.0	1629.0	1956.0
11	324661.0	55.8	11	1	1290.0	-	-
12	546278.0	87.7	11	3	1435.0	1963.0	1164.0

Statistics 25 (Chirp Center Frequency: 5328 MHz)

Trial #	Burst Offset(us)	Pulse Width (μS)	Chirp(MHz)	Number of Pulses per Burst	PRI-1(μS)	PRI-2(μS)	PRI-3(μS)
0	1253842.0	68.6	5	2	1306.0	1161.0	-
1	119486.0	83.1	5	2	1420.0	1315.0	-
2	482958.0	60.9	5	1	1687.0	-	-
3	845641.0	77.7	5	2	1776.0	1158.0	-
4	1208428.0	77.4	5	2	1793.0	1510.0	-
5	74748.0	66.8	5	2	1576.0	1323.0	-
6	438300.0	63.7	5	1	1333.0	-	-
7	800152.0	91.2	5	3	1409.0	1681.0	1275.0

Statistics 26 (Chirp Center Frequency: 5323.6 MHz)

Trial #	Burst Offset(us)	Pulse Width (μS)	Chirp(MHz)	Number of Pulses per Burst	PRI-1(μS)	PRI-2(μS)	PRI-3(μS)
0	545865.0	83.6	16	3	1632.0	1195.0	1000.0
1	14067.0	89.4	16	3	1173.0	1627.0	1656.0
2	184953.0	55.8	16	1	1532.0	-	-
3	353759.0	90.9	16	3	1981.0	1554.0	1998.0
4	526388.0	54.7	16	1	1825.0	-	-
5	694806.0	97.7	16	3	1734.0	1202.0	1250.0
6	163568.0	67.5	16	2	1571.0	1434.0	-
7	333410.0	96.7	16	3	1589.0	1469.0	1268.0
8	504006.0	68.3	16	2	1750.0	1954.0	-
9	675297.0	78.3	16	2	1591.0	1082.0	-
10	142890.0	55.0	16	1	1427.0	-	-
11	312479.0	84.9	16	3	1129.0	1936.0	1199.0
12	482953.0	74.6	16	2	1959.0	1856.0	-
13	655022.0	63.3	16	1	1885.0	-	-
14	121457.0	99.8	16	3	1035.0	1515.0	1120.0

15	292606.0	63.6	16	1	1647.0	-	-
16	461322.0	87.3	16	3	1931.0	1051.0	1831.0

Statistics 27 (ChirpCenter Frequency: 5322.4 MHz)

Trial #	Burst Offset(us)	Pulse Width (μS)	Chirp(MHz)	Number of Pulses per Burst	PRI-1(μS)	PRI-2(μS)	PRI-3(μS)
0	565136.0	85.6	19	3	1946.0	1078.0	1015.0
1	89970.0	68.6	19	2	1029.0	1780.0	-
2	243121.0	54.2	19	1	1111.0	-	-
3	396034.0	61.2	19	1	1104.0	-	-
4	546225.0	97.1	19	3	1157.0	1969.0	1100.0
5	70998.0	98.3	19	3	1142.0	1699.0	1622.0
6	224093.0	62.4	19	1	1655.0	-	-
7	376127.0	80.2	19	2	1126.0	1769.0	-
8	527806.0	87.5	19	3	1216.0	1448.0	1179.0
9	52247.0	85.8	19	3	1847.0	1348.0	1472.0
10	204582.0	88.1	19	3	1023.0	1124.0	1631.0
11	357941.0	65.3	19	1	1848.0	-	-
12	510977.0	52.5	19	1	1470.0	-	-
13	33698.0	52.3	19	1	1312.0	-	-
14	186023.0	74.1	19	2	1915.0	1200.0	-
15	339327.0	54.9	19	1	1479.0	-	-
16	491053.0	76.2	19	2	1376.0	1502.0	-
17	14858.0	60.4	19	1	1758.0	-	-
18	167387.0	81.5	19	2	1491.0	1103.0	-

Statistics 28 (Chirp Center Frequency: 5326 MHz)

Trial #	Burst Offset(us)	Pulse Width (μS)	Chirp(MHz)	Number of Pulses per Burst	PRI-1(μS)	Pulse 2-3 spacing(μS)	Pulse Start(mS)
0	507709.0	50.5	10	1	1857.0	-	-
1	750249.0	55.7	10	1	1246.0	-	-
2	989003.0	85.8	10	3	1774.0	1002.0	1967.0
3	235634.0	76.9	10	2	1125.0	1474.0	-
4	477675.0	75.1	10	2	1254.0	1052.0	-
5	718312.0	92.3	10	3	1180.0	1486.0	1492.0
6	960895.0	78.1	10	2	1301.0	1757.0	-
7	205370.0	92.2	10	3	1898.0	1252.0	1713.0
8	446940.0	89.0	10	3	1260.0	1706.0	1411.0
9	689225.0	70.9	10	2	1578.0	1620.0	-
10	932305.0	63.1	10	1	1782.0	-	-
11	176231.0	55.3	10	1	1522.0	-	-

Statistics 29 (Chirp Center Frequency: 5323.2 MHz)

Trial #	Burst Offset(us)	Pulse Width (μS)	Chirp(MHz)	Number of Pulses per Burst	PRI-1(μS)	Pulse 2-3 spacing(μS)	Pulse Start(mS)
0	437880.0	97.3	17	3	1319.0	1826.0	1635.0
1	598445.0	90.4	17	3	1079.0	1986.0	1674.0
2	97088.0	91.8	17	3	1563.0	1151.0	1802.0
3	257251.0	98.2	17	3	1876.0	1977.0	1766.0
4	419893.0	59.5	17	1	1952.0	-	-
5	580724.0	80.0	17	2	1253.0	1137.0	-
6	77366.0	86.5	17	3	1054.0	1128.0	1828.0
7	238032.0	91.1	17	3	1105.0	1599.0	1442.0

8	398605.0	93.5	17	3	1867.0	1373.0	1087.0
9	562025.0	60.7	17	1	1033.0	-	-
10	57684.0	67.2	17	2	1288.0	1405.0	-
11	219083.0	61.8	17	1	1585.0	-	-
12	379234.0	79.4	17	2	1933.0	1667.0	-
13	540896.0	81.4	17	2	1096.0	1464.0	-
14	37916.0	65.7	17	1	1496.0	-	-
15	198794.0	76.0	17	2	1733.0	1255.0	-
16	359754.0	81.0	17	2	1326.0	1668.0	-
17	437880.0	97.3	17	3	1319.0	1826.0	1635.0

Bandwidth [MHz]	Frequency [MHz]	Radar Type	Trial ID	Pulse width (μs)	PRI (μs)	Pulses per Hop	Detection (1: Yes; 0: No)
20	5320	Type6	0	1	333.3	9	1
		Type6	1	1	333.3	9	1
		Type6	2	1	333.3	9	1
		Type6	3	1	333.3	9	1
		Type6	4	1	333.3	9	1
		Type6	5	1	333.3	9	1
		Type6	6	1	333.3	9	1
		Type6	7	1	333.3	9	1
		Type6	8	1	333.3	9	1
		Type6	9	1	333.3	9	1
		Type6	10	1	333.3	9	1
		Type6	11	1	333.3	9	1
		Type6	12	1	333.3	9	1
		Type6	13	1	333.3	9	1
		Type6	14	1	333.3	9	1
		Type6	15	1	333.3	9	1
		Type6	16	1	333.3	9	1
		Type6	17	1	333.3	9	1
		Type6	18	1	333.3	9	1
		Type6	19	1	333.3	9	1
		Type6	20	1	333.3	9	1
		Type6	21	1	333.3	9	1
		Type6	22	1	333.3	9	1
		Type6	23	1	333.3	9	1
		Type6	24	1	333.3	9	1
		Type6	25	1	333.3	9	1
		Type6	26	1	333.3	9	1
		Type6	27	1	333.3	9	1
		Type6	28	1	333.3	9	1
Type6	29	1	333.3	9	0		

Bandwidth [MHz]	Frequency [MHz]	Radar Type	Trial ID	Pulse width(μs)	PRI(μs)	Pulses per Burst	Detection (1: Yes; 0: No)
40	5510	Type1	0	1.0	938.0	57	1
		Type1	1	1.0	698.0	76	1
		Type1	2	1.0	618.0	86	1
		Type1	3	1.0	538.0	99	1
		Type1	4	1.0	878.0	61	1
		Type1	5	1.0	3066.0	18	1
		Type1	6	1.0	638.0	83	1
		Type1	7	1.0	918.0	58	1
		Type1	8	1.0	838.0	63	1
		Type1	9	1.0	858.0	62	1
		Type1	10	1.0	798.0	67	1
		Type1	11	1.0	718.0	74	1
		Type1	12	1.0	578.0	92	1
		Type1	13	1.0	598.0	89	1
		Type1	14	1.0	558.0	95	1
		Type1	15	1.0	2536.0	21	1
		Type1	16	1.0	966.0	55	1
		Type1	17	1.0	827.0	64	1
		Type1	18	1.0	2501.0	22	1
		Type1	19	1.0	2595.0	21	1
		Type1	20	1.0	1114.0	48	1
		Type1	21	1.0	1302.0	41	1
		Type1	22	1.0	3045.0	18	1
		Type1	23	1.0	1624.0	33	1
		Type1	24	1.0	2878.0	19	1
		Type1	25	1.0	1027.0	52	0
		Type1	26	1.0	2485.0	22	1
		Type1	27	1.0	1600.0	33	1
		Type1	28	1.0	1172.0	46	1
		Type1	29	1.0	1177.0	45	1
		Type2	0	3.2	179.0	26	1
		Type2	1	1.1	207.0	23	1
		Type2	2	2.1	230.0	24	1
		Type2	3	4.8	200.0	29	1
		Type2	4	3.9	214.0	28	1
		Type2	5	2.9	222.0	26	1
		Type2	6	3.2	204.0	26	1
		Type2	7	2.5	192.0	25	1
		Type2	8	3.1	164.0	26	1
		Type2	9	1.2	156.0	23	0
		Type2	10	3.9	210.0	27	1
		Type2	11	4.6	201.0	29	1
		Type2	12	3.2	162.0	26	1
		Type2	13	2.2	197.0	25	1
		Type2	14	4.5	163.0	29	1
		Type2	15	3.0	203.0	26	1
		Type2	16	5.0	168.0	29	1
		Type2	17	2.4	217.0	25	1
		Type2	18	2.9	191.0	26	1
Type2	19	2.3	166.0	25	1		
Type2	20	3.7	150.0	27	1		
Type2	21	2.2	176.0	25	1		
Type2	22	4.9	195.0	29	1		
Type2	23	2.9	202.0	26	1		
Type2	24	2.5	178.0	25	0		
Type2	25	1.1	206.0	23	1		
Type2	26	3.8	155.0	27	1		
Type2	27	4.7	157.0	29	1		
Type2	28	2.4	224.0	25	1		
Type2	29	4.2	159.0	28	0		

Type3	0	8.2	355.0	17	1
Type3	1	6.1	487.0	16	1
Type3	2	7.1	344.0	16	1
Type3	3	9.8	288.0	18	1
Type3	4	8.9	230.0	18	0
Type3	5	7.9	432.0	17	1
Type3	6	8.2	207.0	17	1
Type3	7	7.5	443.0	17	1
Type3	8	8.1	439.0	17	1
Type3	9	6.2	223.0	16	1
Type3	10	8.9	208.0	18	0
Type3	11	9.6	463.0	18	1
Type3	12	8.2	441.0	17	1
Type3	13	7.2	323.0	16	1
Type3	14	9.5	297.0	18	1
Type3	15	8.0	412.0	17	1
Type3	16	10.0	324.0	18	1
Type3	17	7.4	271.0	17	1
Type3	18	7.9	349.0	17	1
Type3	19	7.3	409.0	16	1
Type3	20	8.7	373.0	18	1
Type3	21	7.2	254.0	16	1
Type3	22	9.9	274.0	18	1
Type3	23	7.9	278.0	17	1
Type3	24	7.5	317.0	17	1
Type3	25	6.1	260.0	16	1
Type3	26	8.8	211.0	18	1
Type3	27	9.7	272.0	18	1
Type3	28	7.4	264.0	17	1
Type3	29	9.2	284.0	18	1
Type4	0	16.0	355.0	14	1
Type4	1	11.3	487.0	12	0
Type4	2	13.5	344.0	13	1
Type4	3	19.4	288.0	16	1
Type4	4	17.5	230.0	15	1
Type4	5	15.3	432.0	14	1
Type4	6	15.9	207.0	14	1
Type4	7	14.3	443.0	13	1
Type4	8	15.8	439.0	14	1
Type4	9	11.5	223.0	12	1
Type4	10	17.4	208.0	15	1
Type4	11	19.0	463.0	16	1
Type4	12	16.0	441.0	14	1
Type4	13	13.8	323.0	13	1
Type4	14	18.9	297.0	16	1
Type4	15	15.5	412.0	14	1
Type4	16	19.9	324.0	16	1
Type4	17	14.1	271.0	13	1
Type4	18	15.2	349.0	14	1
Type4	19	13.8	409.0	13	1
Type4	20	17.1	373.0	15	1
Type4	21	13.8	254.0	13	1
Type4	22	19.8	274.0	16	1
Type4	23	15.3	278.0	14	1
Type4	24	14.5	317.0	13	1
Type4	25	11.3	260.0	12	1
Type4	26	17.3	211.0	15	1
Type4	27	19.2	272.0	16	1
Type4	28	14.2	264.0	13	1
Type4	29	18.2	284.0	15	1

Bandwidth [MHz]	Frequency [MHz]	Radar Type	Trial ID	Number Of Bursts	Wavform Length (s)	Radar Frequency	Detection (1: Yes; 0: No)
40	5510	Type5	0	15	12	5510	1
		Type5	1	8	12	5510	1
		Type5	2	11	12	5510	1
		Type5	3	20	12	5510	1
		Type5	4	17	12	5510	1
		Type5	5	14	12	5510	1
		Type5	6	15	12	5510	1
		Type5	7	12	12	5510	1
		Type5	8	14	12	5510	1
		Type5	9	8	12	5510	1
		Type5	10	17	12	5498.292	1
		Type5	11	19	12	5499.492	1
		Type5	12	15	12	5497.092	1
		Type5	13	12	12	5495.892	1
		Type5	14	19	12	5499.092	1
		Type5	15	14	12	5496.692	1
		Type5	16	20	12	5499.892	1
		Type5	17	12	12	5495.892	1
		Type5	18	14	12	5496.692	1
		Type5	19	12	12	5495.892	1
		Type5	20	16	12	5522.108	1
		Type5	21	12	12	5524.508	1
		Type5	22	20	12	5520.108	1
		Type5	23	14	12	5523.308	1
		Type5	24	13	12	5523.708	1
		Type5	25	8	12	5526.108	1
		Type5	26	17	12	5521.708	1
		Type5	27	19	12	5520.508	1
		Type5	28	12	12	5524.108	0
Type5	29	18	12	5521.308	1		

Statistics 0 (Chirp Center Frequency: 5510 MHz)

Trial #	Burst Offset(us)	Pulse Width (μS)	Chirp(MHz)	Number of Pulses per Burst	PRI-1(μS)	PRI-2(μS)	PRI-3(μS)
0	636185.0	77.8	13	2	1665.0	1477.0	-
1	32674.0	51.9	13	1	1074.0	-	-
2	226294.0	63.8	13	1	1584.0	-	-
3	417976.0	96.6	13	3	1682.0	1786.0	1843.0
4	611152.0	85.9	13	3	1795.0	1215.0	1729.0
5	8789.0	73.7	13	2	1198.0	1549.0	-
6	201917.0	77.2	13	2	1837.0	1819.0	-
7	395530.0	68.4	13	2	1587.0	1114.0	-
8	588564.0	76.7	13	2	2000.0	1155.0	-
9	783794.0	53.2	13	1	1147.0	-	-
10	177933.0	85.7	13	3	1433.0	1695.0	1394.0
11	370624.0	94.3	13	3	1670.0	1426.0	1935.0
12	564893.0	77.6	13	2	1294.0	1671.0	-
13	759583.0	65.7	13	1	1512.0	-	-
14	154262.0	93.5	13	3	1444.0	1130.0	1468.0

Statistics 1 (Chirp Center Frequency: 5510 MHz)

Trial #	Burst Offset(us)	Pulse Width (μS)	Chirp(MHz)	Number of Pulses per Burst	PRI-1(μS)	PRI-2(μS)	PRI-3(μS)
0	653020.0	75.0	5	2	1880.0	1527.0	-
1	1015643.0	99.4	5	3	1401.0	1262.0	1257.0
2	1379398.0	67.4	5	2	1531.0	1403.0	-
3	245489.0	73.6	5	2	1449.0	1041.0	-
4	609113.0	65.9	5	1	1432.0	-	-
5	970852.0	83.8	5	3	1356.0	1292.0	1419.0
6	1335913.0	65.5	5	1	1543.0	-	-
7	200406.0	98.6	5	3	1548.0	1796.0	1728.0

Statistics 2 (Chirp Center Frequency: 5510 MHz)

Trial #	Burst Offset(us)	Pulse Width (μS)	Chirp(MHz)	Number of Pulses per Burst	PRI-1(μS)	PRI-2(μS)	PRI-3(μS)
0	409565.0	73.8	9	2	1806.0	1538.0	-
1	673692.0	69.5	9	2	1117.0	1649.0	-
2	938562.0	51.9	9	1	1651.0	-	-
3	113209.0	84.6	9	3	1976.0	1032.0	1271.0
4	376726.0	95.4	9	3	1060.0	1903.0	1388.0
5	641212.0	68.0	9	2	1368.0	1351.0	-
6	903714.0	89.6	9	3	1338.0	1514.0	1573.0
7	80863.0	81.9	9	2	1022.0	1689.0	-
8	344067.0	88.3	9	3	1810.0	1330.0	1838.0
9	609331.0	53.7	9	1	1597.0	-	-
10	871542.0	91.3	9	3	1961.0	1106.0	1001.0

Statistics 3 (Chirp Center Frequency: 5510 MHz)

Trial #	Burst Offset(us)	Pulse Width (μS)	Chirp(MHz)	Number of Pulses per Burst	PRI-1(μS)	PRI-2(μS)	PRI-3(μS)
0	26541.0	68.1	19	2	1339.0	1355.0	-
1	171821.0	58.7	19	1	1251.0	-	-
2	316229.0	75.3	19	2	1136.0	1640.0	-
3	461864.0	56.4	19	1	1753.0	-	-
4	8677.0	99.7	19	3	1196.0	1708.0	1159.0
5	153995.0	57.7	19	1	1013.0	-	-
6	299238.0	59.5	19	1	1072.0	-	-
7	443177.0	80.0	19	2	1482.0	1369.0	-
8	587671.0	82.0	19	2	1993.0	1197.0	-
9	135674.0	82.8	19	2	1883.0	1005.0	-
10	279928.0	88.0	19	3	1061.0	1928.0	1101.0
11	424279.0	93.2	19	3	1207.0	1907.0	1223.0
12	570132.0	70.4	19	2	1526.0	1360.0	-
13	117439.0	95.3	19	3	1171.0	1955.0	1775.0
14							
15	262502.0	81.9	19	2	1690.0	1545.0	-
16	406573.0	98.5	19	3	1975.0	1169.0	1062.0
17	553328.0	65.0	19	1	1767.0	-	-
18	99799.0	85.4	19	3	1011.0	1637.0	1425.0
19	244095.0	91.6	19	3	1878.0	1445.0	1325.0

Statistics 4 (Chirp Center Frequency: 5510 MHz)

Trial #	Burst Offset(us)	Pulse Width (μ S)	Chirp(MHz)	Number of Pulses per Burst	PRI-1(μ S)	PRI-2(μ S)	PRI-3(μ S)
0	629614.0	67.9	16	2	1320.0	1133.0	-
1	96856.0	62.3	16	1	1957.0	-	-
2	267719.0	53.3	16	1	1592.0	-	-
3	436784.0	90.0	16	3	1900.0	1153.0	1346.0
4	608289.0	77.1	16	2	1166.0	1646.0	-
5	75610.0	83.9	16	3	1278.0	1232.0	1459.0
6	245638.0	89.1	16	3	1240.0	1384.0	1939.0
7	416355.0	81.8	16	2	1833.0	1676.0	-
8	588736.0	50.3	16	1	1075.0	-	-
9	54571.0	87.1	16	3	1116.0	1996.0	1756.0
10	225175.0	71.3	16	2	1225.0	1815.0	-
11	394825.0	97.5	16	3	1884.0	1465.0	1132.0
12	565361.0	90.6	16	3	1561.0	1040.0	1354.0
13	33643.0	86.3	16	3	1596.0	1183.0	1792.0
14	203957.0	97.6	16	3	1365.0	1073.0	1361.0
15	373812.0	84.7	16	3	1021.0	1718.0	1854.0
16	544060.0	99.7	16	3	1150.0	1244.0	1988.0

Statistics 5 (Chirp Center Frequency: 5510 MHz)

Trial #	Burst Offset(us)	Pulse Width (μ S)	Chirp(MHz)	Number of Pulses per Burst	PRI-1(μ S)	PRI-2(μ S)	PRI-3(μ S)
0	15438.0	92.9	12	3	1085.0	1564.0	1407.0
1	222486.0	67.7	12	2	1744.0	1747.0	-
2	430731.0	65.8	12	1	1092.0	-	-
3	637784.0	56.3	12	1	1851.0	-	-
4	845342.0	53.7	12	1	1727.0	-	-
5	196720.0	83.5	12	3	1679.0	1930.0	1025.0
6	404955.0	65.8	12	1	1519.0	-	-
7	610711.0	85.9	12	3	1134.0	1034.0	1808.0
8	818057.0	76.3	12	2	1606.0	1926.0	-
9	171459.0	81.5	12	2	1891.0	1714.0	-
10	377969.0	89.4	12	3	1310.0	1594.0	1827.0
11	586875.0	63.4	12	1	1568.0	-	-
12	792834.0	69.6	12	2	1307.0	1925.0	-
13	146044.0	74.5	12	2	1264.0	1846.0	-

Statistics 6 (Chirp Center Frequency: 5510 MHz)

Trial #	Burst Offset(us)	Pulse Width (μ S)	Chirp(MHz)	Number of Pulses per Burst	PRI-1(μ S)	PRI-2(μ S)	PRI-3(μ S)
0	329022.0	96.6	13	3	1182.0	1609.0	1581.0
1	521718.0	96.7	13	3	1829.0	1799.0	1154.0
2	714222.0	86.5	13	3	1923.0	1396.0	1865.0
3	112450.0	73.3	13	2	1908.0	1318.0	-
4	306283.0	55.8	13	1	1688.0	-	-
5	500239.0	55.4	13	1	1145.0	-	-
6	690932.0	85.3	13	3	1336.0	1504.0	1820.0
7	88645.0	79.4	13	2	1344.0	1893.0	-
8	282508.0	65.7	13	1	1476.0	-	-
9	475842.0	68.6	13	2	1008.0	1028.0	-
10	667887.0	77.7	13	2	1972.0	1835.0	-

11	64845.0	79.6	13	2	1882.0	1331.0	-
12	257755.0	94.9	13	3	1830.0	1070.0	1349.0
13	452335.0	61.4	13	1	1451.0	-	-
14	643395.0	90.6	13	3	1233.0	1562.0	1887.0
15	329022.0	96.6	13	3	1182.0	1609.0	1581.0

Statistics 7 (Chirp Center Frequency: 5510 MHz)

Trial #	Burst Offset(us)	Pulse Width (μS)	Chirp(MHz)	Number of Pulses per Burst	PRI-1(μS)	PRI-2(μS)	PRI-3(μS)
0	51446.0	52.6	10	1	1210.0	-	-
1	292696.0	84.1	10	3	1314.0	1725.0	1529.0
2	533989.0	97.7	10	3	1139.0	1868.0	1805.0
3	775564.0	97.3	10	3	1341.0	1446.0	1755.0
4	21542.0	98.8	10	3	1544.0	1386.0	1302.0
5	263385.0	72.2	10	2	1771.0	1184.0	-
6	505581.0	67.6	10	2	1175.0	1027.0	-
7	747058.0	75.7	10	2	1026.0	1871.0	-
8	989976.0	60.9	10	1	1798.0	-	-
9	234024.0	64.2	10	1	1138.0	-	-
10	475207.0	78.8	10	2	1784.0	1604.0	-
11	715825.0	87.5	10	3	1511.0	1712.0	1683.0

Statistics 8 (Chirp Center Frequency: 5510 MHz)

Trial #	Burst Offset(us)	Pulse Width (μS)	Chirp(MHz)	Number of Pulses per Burst	PRI-1(μS)	PRI-2(μS)	PRI-3(μS)
0	823112.0	54.1	13	1	1415.0	-	-
1	174965.0	50.7	13	1	1221.0	-	-
2	382216.0	52.3	13	1	1974.0	-	-
3	587395.0	99.8	13	3	1558.0	1696.0	1949.0
4	796897.0	68.4	13	2	1014.0	1099.0	-
5	149042.0	80.8	13	2	1736.0	1505.0	-
6	356750.0	62.5	13	1	1778.0	-	-
7	563824.0	74.8	13	2	1149.0	1204.0	-
8	772314.0	50.8	13	1	1049.0	-	-
9	123796.0	54.0	13	1	1417.0	-	-
10	331215.0	63.0	13	1	1730.0	-	-
11	537402.0	91.8	13	3	1143.0	1270.0	1347.0
12	744805.0	79.3	13	2	1274.0	1992.0	-
13	98172.0	64.3	13	1	1937.0	-	-

Statistics 9 (Chirp Center Frequency: 5510 MHz)

Trial #	Burst Offset(us)	Pulse Width (μS)	Chirp(MHz)	Number of Pulses per Burst	PRI-1(μS)	PRI-2(μS)	PRI-3(μS)
0	535615.0	63.4	6	1	1043.0	-	-
1	898668.0	52.0	6	1	1863.0	-	-
2	1259235.0	97.2	6	3	1973.0	1605.0	1583.0
3	127106.0	78.7	6	2	1466.0	1743.0	-
4	490358.0	74.2	6	2	1280.0	1219.0	-
5	852409.0	88.7	6	3	1293.0	1934.0	1273.0
6	1217152.0	54.3	6	1	1991.0	-	-
7	82296.0	95.4	6	3	1580.0	1555.0	1791.0

Statistics 10 (Chirp Center Frequency: 5496.4 MHz)

Trial #	Burst Offset(us)	Pulse Width (μS)	Chirp(MHz)	Number of Pulses per Burst	PRI-1(μS)	PRI-2(μS)	PRI-3(μS)
0	209249.0	73.7	16	2	1208.0	1497.0	-
1	378386.0	97.4	16	3	1942.0	1754.0	1613.0
2	548411.0	91.7	16	3	1999.0	1702.0	1462.0
3	17733.0	66.2	16	1	1393.0	-	-
4	187952.0	70.8	16	2	1968.0	1821.0	-
5	359277.0	52.3	16	1	1740.0	-	-
6	528886.0	78.9	16	2	1308.0	1984.0	-
7	700166.0	70.9	16	2	1050.0	1358.0	-
8	167197.0	75.6	16	2	1437.0	1430.0	-
9	338262.0	59.1	16	1	1697.0	-	-
10	508324.0	77.0	16	2	1397.0	1304.0	-
11	678689.0	67.9	16	2	1803.0	1083.0	-
12	146031.0	81.2	16	2	1720.0	1932.0	-
13	316923.0	78.7	16	2	1247.0	1121.0	-
14	488056.0	63.3	16	1	1634.0	-	-
15	657326.0	68.9	16	2	1849.0	1423.0	-
16	125509.0	59.3	16	1	1093.0	-	-

Statistics 11 (Chirp Center Frequency: 5497.6MHz)

Trial #	Burst Offset(us)	Pulse Width (μS)	Chirp(MHz)	Number of Pulses per Burst	PRI-1(μS)	PRI-2(μS)	PRI-3(μS)
0	263736.0	98.9	19	3	1381.0	1680.0	1488.0
1	416459.0	82.3	19	2	1716.0	1855.0	-
2	567902.0	86.7	19	3	1211.0	1400.0	1919.0
3	92979.0	89.7	19	3	1861.0	1068.0	1282.0
4	245155.0	98.6	19	3	1507.0	1194.0	1461.0
5	397609.0	71.1	19	2	1921.0	1789.0	-
6	551431.0	55.9	19	1	1947.0	-	-
7	74413.0	67.9	19	2	1350.0	1372.0	-
8	226559.0	84.4	19	3	1203.0	1107.0	1443.0
9	380056.0	58.8	19	1	1715.0	-	-
10	533408.0	65.6	19	1	1017.0	-	-
11	55547.0	78.5	19	2	1911.0	1704.0	-
12	207876.0	82.3	19	2	1845.0	1686.0	-
13	359771.0	90.1	19	3	1938.0	1071.0	1266.0
14	511297.0	90.2	19	3	1989.0	1089.0	1950.0
15	36803.0	83.1	19	2	1943.0	1406.0	-
16	189652.0	58.8	19	1	1742.0	-	-
17	341809.0	77.0	19	2	1187.0	1657.0	-
18	495737.0	55.0	19	1	1012.0	-	-

Statistics 12 (Chirp Center Frequency: 5495.2MHz)

Trial #	Burst Offset(us)	Pulse Width (μS)	Chirp(MHz)	Number of Pulses per Burst	PRI-1(μS)	PRI-2(μS)	PRI-3(μS)
0	22911.0	58.1	13	1	1929.0	-	-
1	216473.0	52.1	13	1	1910.0	-	-
2	410004.0	59.9	13	1	1971.0	-	-
3	603671.0	60.2	13	1	1812.0	-	-
4	794160.0	95.9	13	3	1399.0	1906.0	1608.0
5	192251.0	79.9	13	2	1626.0	1859.0	-

6	385590.0	78.5	13	2	1238.0	1917.0	-
7	579862.0	53.8	13	1	1763.0	-	-
8	773423.0	64.7	13	1	1800.0	-	-
9	168898.0	61.4	13	1	1390.0	-	-
10	361606.0	83.2	13	2	1692.0	1858.0	-
11	553866.0	84.7	13	3	1533.0	1677.0	1638.0
12	747241.0	88.7	13	3	1703.0	1528.0	1058.0
13	144710.0	78.3	13	2	1258.0	1951.0	-
14	337856.0	69.3	13	2	1731.0	1717.0	-

Statistics 13 (ChirpCenter Frequency: 5494MHz)

Trial #	Burst Offset(us)	Pulse Width (μS)	Chirp(MHz)	Number of Pulses per Burst	PRI-1(μS)	PRI-2(μS)	PRI-3(μS)
0	664275.0	75.3	10	2	1994.0	1612.0	-
1	907886.0	56.3	10	1	1456.0	-	-
2	151316.0	67.7	10	2	1617.0	1185.0	-
3	393746.0	55.6	10	1	1337.0	-	-
4	635093.0	75.2	10	2	1421.0	1267.0	-
5	876993.0	76.3	10	2	1359.0	1305.0	-
6	121278.0	85.7	10	3	1547.0	1362.0	1924.0
7	362696.0	98.4	10	3	1873.0	1550.0	1249.0
8	604342.0	86.4	10	3	1779.0	1439.0	1046.0
9	846453.0	93.6	10	3	1059.0	1031.0	1452.0
10	91871.0	63.3	10	1	1328.0	-	-
11	333050.0	92.4	10	3	1412.0	1673.0	1322.0

Statistics14 (ChirpCenter Frequency: 5497.2 MHz)

Trial #	Burst Offset(us)	Pulse Width (μS)	Chirp(MHz)	Number of Pulses per Burst	PRI-1(μS)	PRI-2(μS)	PRI-3(μS)
0	361323.0	93.3	18	3	1983.0	1912.0	1535.0
1	515261.0	69.1	18	2	1102.0	1794.0	-
2	39025.0	86.9	18	3	1044.0	1152.0	1148.0
3	190900.0	84.9	18	3	1894.0	1948.0	1118.0
4	343941.0	72.3	18	2	1094.0	1916.0	-
5	497624.0	51.7	18	1	1447.0	-	-
6	20319.0	58.3	18	1	1429.0	-	-
7	172999.0	60.8	18	1	1979.0	-	-
8	325872.0	57.1	18	1	1641.0	-	-
9	475841.0	88.9	18	3	1886.0	1964.0	1489.0
10	1489.0	72.0	18	2	1909.0	1297.0	-
11	153647.0	90.9	18	3	1261.0	1566.0	1370.0
12	307096.0	59.8	18	1	1552.0	-	-
13	458804.0	70.0	18	2	1759.0	1291.0	-
14	610798.0	67.2	18	2	1625.0	1881.0	-
15	134759.0	91.2	18	3	1382.0	1832.0	1661.0
16	288306.0	56.5	18	1	1483.0	-	-
17	441296.0	51.2	18	1	1237.0	-	-
18	592780.0	74.1	18	2	1471.0	1245.0	-

Statistics 15 (ChirpCenter Frequency: 5494.8 MHz)

Trial #	Burst Offset(us)	Pulse Width (μS)	Chirp(MHz)	Number of Pulses per Burst	PRI-1(μS)	PRI-2(μS)	PRI-3(μS)
0	158286.0	76.9	12	2	1110.0	1140.0	-

1	366024.0	50.2	12	1	1316.0	-	-
2	573452.0	62.9	12	1	1520.0	-	-
3	780619.0	64.7	12	1	1902.0	-	-
4	132455.0	83.8	12	3	1410.0	1097.0	1621.0
5	340207.0	65.4	12	1	1944.0	-	-
6	548208.0	53.2	12	1	1024.0	-	-
7	755333.0	51.7	12	1	1603.0	-	-
8	107117.0	78.7	12	2	1804.0	1168.0	-
9	314500.0	72.4	12	2	1030.0	1343.0	-
10	522447.0	53.8	12	1	1327.0	-	-
11	728517.0	73.6	12	2	1524.0	1553.0	-
12	81611.0	66.7	12	2	1722.0	1122.0	-
13	288948.0	82.5	12	2	1404.0	1019.0	-

Statistics 16 (ChirpCenter Frequency: 5498 MHz)

Trial #	Burst Offset(us)	Pulse Width (μ S)	Chirp(MHz)	Number of Pulses per Burst	PRI-1(μ S)	PRI-2(μ S)	PRI-3(μ S)
0	345766.0	87.6	20	3	1565.0	1055.0	1840.0
1	490019.0	85.2	20	3	1735.0	1541.0	1408.0
2	39073.0	84.8	20	3	1534.0	1889.0	1463.0
3	183923.0	77.9	20	2	1749.0	1460.0	-
4	328777.0	76.5	20	2	1518.0	1485.0	-
5	474728.0	60.9	20	1	1540.0	-	-
6	21394.0	83.0	20	2	1080.0	1010.0	-
7	165992.0	80.4	20	2	1824.0	1752.0	-
8	310973.0	67.5	20	2	1764.0	1181.0	-
9	456884.0	62.1	20	1	1495.0	-	-
10	3515.0	86.4	20	3	1773.0	1966.0	1263.0
11	147928.0	84.3	20	3	1593.0	1188.0	1788.0
12	293225.0	76.9	20	2	1226.0	1537.0	-
13	436922.0	95.8	20	3	1192.0	1298.0	1844.0
14	584015.0	55.2	20	1	1644.0	-	-
15	130832.0	59.0	20	1	1402.0	-	-
16	274684.0	94.5	20	3	1296.0	1700.0	1283.0
17	418579.0	91.9	20	3	1970.0	1978.0	1165.0
18	563464.0	85.2	20	3	1732.0	1551.0	1189.0
19	112787.0	69.5	20	2	1038.0	1224.0	-

Statistics 17 (ChirpCenter Frequency: 5494 MHz)

Trial #	Burst Offset(us)	Pulse Width (μ S)	Chirp(MHz)	Number of Pulses per Burst	PRI-1(μ S)	PRI-2(μ S)	PRI-3(μ S)
0	429224.0	86.4	10	3	1259.0	1918.0	1455.0
1	670241.0	92.2	10	3	1598.0	1719.0	1895.0
2	912880.0	80.4	10	2	1816.0	1899.0	-
3	158603.0	54.3	10	1	1335.0	-	-
4	400824.0	53.1	10	1	1303.0	-	-
5	641915.0	69.4	10	2	1503.0	1546.0	-
6	883823.0	69.1	10	2	1279.0	1639.0	-
7	128373.0	100.0	10	3	1375.0	1438.0	1595.0
8	370379.0	79.6	10	2	1239.0	1705.0	-
9	611194.0	88.4	10	3	1374.0	1579.0	1623.0
10	855665.0	53.3	10	1	1016.0	-	-
11	98897.0	65.3	10	1	1709.0	-	-

Statistics 18 (ChirpCenter Frequency: 5494.8 MHz)

Trial #	Burst Offset(us)	Pulse Width (μS)	Chirp(MHz)	Number of Pulses per Burst	PRI-1(μS)	PRI-2(μS)	PRI-3(μS)
0	292143.0	55.3	12	1	1920.0	-	-
1	499633.0	58.3	12	1	1797.0	-	-
2	706377.0	72.3	12	2	1610.0	1039.0	-
3	58989.0	84.8	12	3	1131.0	1761.0	1721.0
4	266161.0	82.5	12	2	1875.0	1431.0	-
5	474469.0	63.3	12	1	1095.0	-	-
6	680544.0	80.0	12	2	1119.0	1913.0	-
7	33519.0	90.3	12	3	1660.0	1853.0	1123.0
8	240319.0	91.1	12	3	1539.0	1783.0	1172.0
9	447400.0	96.6	12	3	1525.0	1036.0	1385.0
10	654516.0	82.7	12	2	1710.0	1990.0	-
11	8083.0	50.7	12	1	1234.0	-	-
12	215435.0	78.4	12	2	1047.0	1109.0	-
13	421325.0	99.5	12	3	1299.0	1965.0	1869.0

Statistics 19 (ChirpCenter Frequency: 5494 MHz)

Trial #	Burst Offset(us)	Pulse Width (μS)	Chirp(MHz)	Number of Pulses per Burst	PRI-1(μS)	PRI-2(μS)	PRI-3(μS)
0	733725.0	88.6	10	3	1501.0	1067.0	1927.0
1	977882.0	57.4	10	1	1723.0	-	-
2	221197.0	96.6	10	3	1086.0	1658.0	1324.0
3	462915.0	69.7	10	2	1751.0	1945.0	-
4	705071.0	77.9	10	2	1642.0	1317.0	-
5	947923.0	62.0	10	1	1866.0	-	-
6	191373.0	88.4	10	3	1997.0	1077.0	1366.0
7	432561.0	97.3	10	3	1790.0	1896.0	1367.0
8	674004.0	96.2	10	3	1391.0	1787.0	1672.0
9	915842.0	95.4	10	3	1020.0	1892.0	1414.0
10	162176.0	54.8	10	1	1084.0	-	-
11	403553.0	80.4	10	2	1850.0	1436.0	-

Statistics 20 (ChirpCenter Frequency: 5524MHz)

Trial #	Burst Offset(us)	Pulse Width (μS)	Chirp(MHz)	Number of Pulses per Burst	PRI-1(μS)	PRI-2(μS)	PRI-3(μS)
0	483470.0	74.7	15	2	1619.0	1611.0	-
1	666072.0	57.1	15	1	1560.0	-	-
2	98810.0	91.9	15	3	1392.0	1475.0	1276.0
3	279914.0	83.1	15	2	1809.0	1772.0	-
4	462536.0	50.7	15	1	1003.0	-	-
5	642324.0	79.2	15	2	1574.0	1600.0	-
6	76831.0	58.7	15	1	1186.0	-	-
7	257785.0	71.0	15	2	1521.0	1567.0	-
8	438554.0	79.0	15	2	1777.0	1960.0	-
9	620397.0	68.5	15	2	1284.0	1428.0	-
10	54310.0	73.5	15	2	1904.0	1352.0	-
11	235506.0	70.5	15	2	1864.0	1115.0	-
12	417036.0	76.6	15	2	1045.0	1300.0	-
13	597974.0	81.2	15	2	1160.0	1675.0	-
14	32086.0	61.8	15	1	1277.0	-	-
15	212751.0	94.9	15	3	1450.0	1206.0	1860.0

Statistics 21 (ChirpCenter Frequency: 5526.4 MHz)

Trial #	Burst Offset(us)	Pulse Width (μS)	Chirp(MHz)	Number of Pulses per Burst	PRI-1(μS)	PRI-2(μS)	PRI-3(μS)
0	526149.0	78.5	9	2	1653.0	1698.0	-
1	767135.0	89.8	9	3	1174.0	1962.0	1167.0
2	12955.0	59.4	9	1	1982.0	-	-
3	254612.0	79.6	9	2	1633.0	1890.0	-
4	496588.0	76.0	9	2	1112.0	1811.0	-
5	739728.0	53.6	9	1	1144.0	-	-
6	980872.0	80.9	9	2	1220.0	1053.0	-
7	225249.0	61.6	9	1	1724.0	-	-
8	467279.0	53.4	9	1	1901.0	-	-
9	709720.0	59.9	9	1	1379.0	-	-
10	951847.0	60.4	9	1	1453.0	-	-
11	194839.0	91.4	9	3	1768.0	1726.0	1227.0

Statistics 22 (Chirp Center Frequency: 5522MHz)

Trial #	Burst Offset(us)	Pulse Width (μS)	Chirp(MHz)	Number of Pulses per Burst	PRI-1(μS)	PRI-2(μS)	PRI-3(μS)
0	261858.0	77.0	20	2	1191.0	1363.0	-
1	407646.0	58.1	20	1	1248.0	-	-
2	552319.0	62.1	20	1	1836.0	-	-
3	99107.0	76.9	20	2	1334.0	1236.0	-
4	243514.0	80.0	20	2	1914.0	1852.0	-
5	389464.0	52.0	20	1	1701.0	-	-
6	531093.0	88.6	20	3	1693.0	1995.0	1905.0
7	81159.0	72.9	20	2	1922.0	1387.0	-
8	225245.0	98.5	20	3	1839.0	1746.0	1389.0
9	371906.0	57.9	20	1	1193.0	-	-
10	514197.0	95.9	20	3	1659.0	1870.0	1066.0
11	63561.0	53.5	20	1	1162.0	-	-
12	207510.0	92.0	20	3	1745.0	1654.0	1458.0
13	353638.0	57.3	20	1	1834.0	-	-
14	497515.0	70.5	20	2	1684.0	1586.0	-
15	45553.0	70.0	20	2	1042.0	1664.0	-
16	189821.0	84.0	20	3	1765.0	1630.0	1176.0
17	335330.0	76.1	20	2	1557.0	1057.0	-
18	478825.0	93.2	20	3	1985.0	1018.0	1340.0
19	27594.0	96.8	20	3	1760.0	1614.0	1817.0

Statistics 23 (Chirp Center Frequency: 5525.2MHz)

Trial #	Burst Offset(us)	Pulse Width (μS)	Chirp(MHz)	Number of Pulses per Burst	PRI-1(μS)	PRI-2(μS)	PRI-3(μS)
0	247117.0	50.1	12	1	1841.0	-	-
1	453362.0	93.5	12	3	1590.0	1081.0	1413.0
2	660875.0	68.8	12	2	1707.0	1577.0	-
3	14140.0	56.3	12	1	1056.0	-	-
4	220734.0	86.0	12	3	1953.0	1108.0	1987.0
5	428367.0	75.2	12	2	1572.0	1536.0	-
6	636681.0	54.4	12	1	1517.0	-	-
7	843157.0	71.1	12	2	1329.0	1243.0	-
8	195585.0	76.2	12	2	1940.0	1770.0	-

9	403231.0	80.2	12	2	1098.0	1209.0	-
10	610202.0	79.7	12	2	1588.0	1214.0	-
11	815229.0	90.9	12	3	1615.0	1862.0	1601.0
12	170267.0	68.7	12	2	1377.0	1441.0	-
13	377306.0	67.4	12	2	1872.0	1313.0	-

Statistics 24 (Chirp Center Frequency: 5525.6MHz)

Trial #	Burst Offset(us)	Pulse Width (μS)	Chirp(MHz)	Number of Pulses per Burst	PRI-1(μS)	PRI-2(μS)	PRI-3(μS)
0	628071.0	94.0	11	3	1643.0	1748.0	1941.0
1	853391.0	70.8	11	2	1177.0	1201.0	-
2	156223.0	56.3	11	1	1006.0	-	-
3	378734.0	96.7	11	3	1230.0	1163.0	1332.0
4	601331.0	90.6	11	3	1217.0	1582.0	1498.0
5	825462.0	74.5	11	2	1569.0	1281.0	-
6	128265.0	92.6	11	3	1065.0	1669.0	1222.0
7	351161.0	89.0	11	3	1493.0	1135.0	1380.0
8	573425.0	96.5	11	3	1607.0	1822.0	1602.0
9	798431.0	70.5	11	2	1141.0	1178.0	-
10	100737.0	94.0	11	3	1009.0	1629.0	1956.0
11	324661.0	55.8	11	1	1290.0	-	-
12	546278.0	87.7	11	3	1435.0	1963.0	1164.0

Statistics 25 (Chirp Center Frequency: 5528 MHz)

Trial #	Burst Offset(us)	Pulse Width (μS)	Chirp(MHz)	Number of Pulses per Burst	PRI-1(μS)	PRI-2(μS)	PRI-3(μS)
0	1253842.0	68.6	5	2	1306.0	1161.0	-
1	119486.0	83.1	5	2	1420.0	1315.0	-
2	482958.0	60.9	5	1	1687.0	-	-
3	845641.0	77.7	5	2	1776.0	1158.0	-
4	1208428.0	77.4	5	2	1793.0	1510.0	-
5	74748.0	66.8	5	2	1576.0	1323.0	-
6	438300.0	63.7	5	1	1333.0	-	-
7	800152.0	91.2	5	3	1409.0	1681.0	1275.0

Statistics 26 (Chirp Center Frequency: 5523.6 MHz)

Trial #	Burst Offset(us)	Pulse Width (μS)	Chirp(MHz)	Number of Pulses per Burst	PRI-1(μS)	PRI-2(μS)	PRI-3(μS)
0	545865.0	83.6	16	3	1632.0	1195.0	1000.0
1	14067.0	89.4	16	3	1173.0	1627.0	1656.0
2	184953.0	55.8	16	1	1532.0	-	-
3	353759.0	90.9	16	3	1981.0	1554.0	1998.0
4	526388.0	54.7	16	1	1825.0	-	-
5	694806.0	97.7	16	3	1734.0	1202.0	1250.0
6	163568.0	67.5	16	2	1571.0	1434.0	-
7	333410.0	96.7	16	3	1589.0	1469.0	1268.0
8	504006.0	68.3	16	2	1750.0	1954.0	-
9	675297.0	78.3	16	2	1591.0	1082.0	-
10	142890.0	55.0	16	1	1427.0	-	-
11	312479.0	84.9	16	3	1129.0	1936.0	1199.0
12	482953.0	74.6	16	2	1959.0	1856.0	-
13	655022.0	63.3	16	1	1885.0	-	-
14	121457.0	99.8	16	3	1035.0	1515.0	1120.0

15	292606.0	63.6	16	1	1647.0	-	-
16	461322.0	87.3	16	3	1931.0	1051.0	1831.0

Statistics 27 (ChirpCenter Frequency: 5522.4MHz)

Trial #	Burst Offset(us)	Pulse Width (μS)	Chirp(MHz)	Number of Pulses per Burst	PRI-1(μS)	PRI-2(μS)	PRI-3(μS)
0	565136.0	85.6	19	3	1946.0	1078.0	1015.0
1	89970.0	68.6	19	2	1029.0	1780.0	-
2	243121.0	54.2	19	1	1111.0	-	-
3	396034.0	61.2	19	1	1104.0	-	-
4	546225.0	97.1	19	3	1157.0	1969.0	1100.0
5	70998.0	98.3	19	3	1142.0	1699.0	1622.0
6	224093.0	62.4	19	1	1655.0	-	-
7	376127.0	80.2	19	2	1126.0	1769.0	-
8	527806.0	87.5	19	3	1216.0	1448.0	1179.0
9	52247.0	85.8	19	3	1847.0	1348.0	1472.0
10	204582.0	88.1	19	3	1023.0	1124.0	1631.0
11	357941.0	65.3	19	1	1848.0	-	-
12	510977.0	52.5	19	1	1470.0	-	-
13	33698.0	52.3	19	1	1312.0	-	-
14	186023.0	74.1	19	2	1915.0	1200.0	-
15	339327.0	54.9	19	1	1479.0	-	-
16	491053.0	76.2	19	2	1376.0	1502.0	-
17	14858.0	60.4	19	1	1758.0	-	-
18	167387.0	81.5	19	2	1491.0	1103.0	-

Statistics 28 (Chirp Center Frequency: 5526 MHz)

Trial #	Burst Offset(us)	Pulse Width (μS)	Chirp(MHz)	Number of Pulses per Burst	PRI-1(μS)	Pulse 2-3 spacing(μS)	Pulse Start(ms)
0	507709.0	50.5	10	1	1857.0	-	-
1	750249.0	55.7	10	1	1246.0	-	-
2	989003.0	85.8	10	3	1774.0	1002.0	1967.0
3	235634.0	76.9	10	2	1125.0	1474.0	-
4	477675.0	75.1	10	2	1254.0	1052.0	-
5	718312.0	92.3	10	3	1180.0	1486.0	1492.0
6	960895.0	78.1	10	2	1301.0	1757.0	-
7	205370.0	92.2	10	3	1898.0	1252.0	1713.0
8	446940.0	89.0	10	3	1260.0	1706.0	1411.0
9	689225.0	70.9	10	2	1578.0	1620.0	-
10	932305.0	63.1	10	1	1782.0	-	-
11	176231.0	55.3	10	1	1522.0	-	-

Statistics 29 (Chirp Center Frequency: 5523.2 MHz)

Trial #	Burst Offset(us)	Pulse Width (μS)	Chirp(MHz)	Number of Pulses per Burst	PRI-1(μS)	Pulse 2-3 spacing(μS)	Pulse Start(ms)
0	437880.0	97.3	17	3	1319.0	1826.0	1635.0
1	598445.0	90.4	17	3	1079.0	1986.0	1674.0
2	97088.0	91.8	17	3	1563.0	1151.0	1802.0
3	257251.0	98.2	17	3	1876.0	1977.0	1766.0
4	419893.0	59.5	17	1	1952.0	-	-
5	580724.0	80.0	17	2	1253.0	1137.0	-
6	77366.0	86.5	17	3	1054.0	1128.0	1828.0
7	238032.0	91.1	17	3	1105.0	1599.0	1442.0

8	398605.0	93.5	17	3	1867.0	1373.0	1087.0
9	562025.0	60.7	17	1	1033.0	-	-
10	57684.0	67.2	17	2	1288.0	1405.0	-
11	219083.0	61.8	17	1	1585.0	-	-
12	379234.0	79.4	17	2	1933.0	1667.0	-
13	540896.0	81.4	17	2	1096.0	1464.0	-
14	37916.0	65.7	17	1	1496.0	-	-
15	198794.0	76.0	17	2	1733.0	1255.0	-
16	359754.0	81.0	17	2	1326.0	1668.0	-
17	437880.0	97.3	17	3	1319.0	1826.0	1635.0

Bandwidth [MHz]	Frequency [MHz]	Radar Type	Trial ID	Pulse width (μs)	PRI (μs)	Pulses per Hop	Detection (1: Yes; 0: No)
40	5510	Type6	0	1	333.3	9	1
		Type6	1	1	333.3	9	1
		Type6	2	1	333.3	9	1
		Type6	3	1	333.3	9	1
		Type6	4	1	333.3	9	1
		Type6	5	1	333.3	9	1
		Type6	6	1	333.3	9	1
		Type6	7	1	333.3	9	1
		Type6	8	1	333.3	9	1
		Type6	9	1	333.3	9	1
		Type6	10	1	333.3	9	1
		Type6	11	1	333.3	9	1
		Type6	12	1	333.3	9	1
		Type6	13	1	333.3	9	1
		Type6	14	1	333.3	9	1
		Type6	15	1	333.3	9	1
		Type6	16	1	333.3	9	1
		Type6	17	1	333.3	9	1
		Type6	18	1	333.3	9	1
		Type6	19	1	333.3	9	1
		Type6	20	1	333.3	9	1
		Type6	21	1	333.3	9	1
		Type6	22	1	333.3	9	1
		Type6	23	1	333.3	9	1
		Type6	24	1	333.3	9	1
		Type6	25	1	333.3	9	1
		Type6	26	1	333.3	9	1
		Type6	27	1	333.3	9	1
		Type6	28	1	333.3	9	1
Type6	29	1	333.3	9	1		

Bandwidth [MHz]	Frequenc y [MHz]	Radar Type	Trial ID	Pulse width(μs)	PRI(μs)	Pulses per Burst	Detection (1: Yes; 0: No)
80	5530	Type1	0	1.0	938.0	57	1
		Type1	1	1.0	698.0	76	1
		Type1	2	1.0	618.0	86	1
		Type1	3	1.0	538.0	99	1
		Type1	4	1.0	878.0	61	0
		Type1	5	1.0	3066.0	18	1
		Type1	6	1.0	638.0	83	1
		Type1	7	1.0	918.0	58	1
		Type1	8	1.0	838.0	63	1
		Type1	9	1.0	858.0	62	1
		Type1	10	1.0	798.0	67	1
		Type1	11	1.0	718.0	74	1
		Type1	12	1.0	578.0	92	1
		Type1	13	1.0	598.0	89	1
		Type1	14	1.0	558.0	95	1
		Type1	15	1.0	2536.0	21	1
		Type1	16	1.0	966.0	55	1
		Type1	17	1.0	827.0	64	1
		Type1	18	1.0	2501.0	22	1
		Type1	19	1.0	2595.0	21	1
		Type1	20	1.0	1114.0	48	1
		Type1	21	1.0	1302.0	41	1
		Type1	22	1.0	3045.0	18	1
		Type1	23	1.0	1624.0	33	1
		Type1	24	1.0	2878.0	19	1
		Type1	25	1.0	1027.0	52	1
		Type1	26	1.0	2485.0	22	1
		Type1	27	1.0	1600.0	33	1
		Type1	28	1.0	1172.0	46	1
		Type1	29	1.0	1177.0	45	1
		Type2	0	3.2	179.0	26	1
		Type2	1	1.1	207.0	23	1
		Type2	2	2.1	230.0	24	1
		Type2	3	4.8	200.0	29	1
		Type2	4	3.9	214.0	28	1
		Type2	5	2.9	222.0	26	1
		Type2	6	3.2	204.0	26	1
		Type2	7	2.5	192.0	25	1
		Type2	8	3.1	164.0	26	1
		Type2	9	1.2	156.0	23	0
		Type2	10	3.9	210.0	27	1
		Type2	11	4.6	201.0	29	1
		Type2	12	3.2	162.0	26	1
		Type2	13	2.2	197.0	25	1
		Type2	14	4.5	163.0	29	1
		Type2	15	3.0	203.0	26	1
		Type2	16	5.0	168.0	29	1
		Type2	17	2.4	217.0	25	1
		Type2	18	2.9	191.0	26	1
Type2	19	2.3	166.0	25	1		
Type2	20	3.7	150.0	27	1		
Type2	21	2.2	176.0	25	1		
Type2	22	4.9	195.0	29	0		
Type2	23	2.9	202.0	26	1		
Type2	24	2.5	178.0	25	0		
Type2	25	1.1	206.0	23	1		
Type2	26	3.8	155.0	27	1		
Type2	27	4.7	157.0	29	1		
Type2	28	2.4	224.0	25	1		
Type2	29	4.2	159.0	28	0		

Type3	0	8.2	355.0	17	1
Type3	1	6.1	487.0	16	1
Type3	2	7.1	344.0	16	1
Type3	3	9.8	288.0	18	1
Type3	4	8.9	230.0	18	0
Type3	5	7.9	432.0	17	1
Type3	6	8.2	207.0	17	1
Type3	7	7.5	443.0	17	1
Type3	8	8.1	439.0	17	1
Type3	9	6.2	223.0	16	1
Type3	10	8.9	208.0	18	0
Type3	11	9.6	463.0	18	1
Type3	12	8.2	441.0	17	1
Type3	13	7.2	323.0	16	1
Type3	14	9.5	297.0	18	1
Type3	15	8.0	412.0	17	1
Type3	16	10.0	324.0	18	1
Type3	17	7.4	271.0	17	1
Type3	18	7.9	349.0	17	1
Type3	19	7.3	409.0	16	1
Type3	20	8.7	373.0	18	1
Type3	21	7.2	254.0	16	1
Type3	22	9.9	274.0	18	1
Type3	23	7.9	278.0	17	1
Type3	24	7.5	317.0	17	1
Type3	25	6.1	260.0	16	1
Type3	26	8.8	211.0	18	1
Type3	27	9.7	272.0	18	1
Type3	28	7.4	264.0	17	1
Type3	29	9.2	284.0	18	1
Type4	0	16.0	355.0	14	1
Type4	1	11.3	487.0	12	0
Type4	2	13.5	344.0	13	1
Type4	3	19.4	288.0	16	1
Type4	4	17.5	230.0	15	1
Type4	5	15.3	432.0	14	1
Type4	6	15.9	207.0	14	1
Type4	7	14.3	443.0	13	1
Type4	8	15.8	439.0	14	1
Type4	9	11.5	223.0	12	1
Type4	10	17.4	208.0	15	1
Type4	11	19.0	463.0	16	1
Type4	12	16.0	441.0	14	1
Type4	13	13.8	323.0	13	1
Type4	14	18.9	297.0	16	1
Type4	15	15.5	412.0	14	1
Type4	16	19.9	324.0	16	1
Type4	17	14.1	271.0	13	1
Type4	18	15.2	349.0	14	1
Type4	19	13.8	409.0	13	1
Type4	20	17.1	373.0	15	1
Type4	21	13.8	254.0	13	1
Type4	22	19.8	274.0	16	1
Type4	23	15.3	278.0	14	1
Type4	24	14.5	317.0	13	1
Type4	25	11.3	260.0	12	1
Type4	26	17.3	211.0	15	1
Type4	27	19.2	272.0	16	1
Type4	28	14.2	264.0	13	1
Type4	29	18.2	284.0	15	1

Bandwidth [MHz]	Frequency [MHz]	Radar Type	Trial ID	Number Of Bursts	Wavform Length (s)	Radar Frequency	Detection (1: Yes; 0: No)
80	5530	Type5	0	15	12	5530	1
		Type5	1	8	12	5530	1
		Type5	2	11	12	5530	1
		Type5	3	20	12	5530	1
		Type5	4	17	12	5530	1
		Type5	5	14	12	5530	1
		Type5	6	15	12	5530	1
		Type5	7	12	12	5530	1
		Type5	8	14	12	5530	1
		Type5	9	8	12	5530	1
		Type5	10	17	12	5498.667	1
		Type5	11	19	12	5499.867	1
		Type5	12	15	12	5497.467	1
		Type5	13	12	12	5496.267	1
		Type5	14	19	12	5499.467	1
		Type5	15	14	12	5497.067	1
		Type5	16	20	12	5500.267	1
		Type5	17	12	12	5496.267	1
		Type5	18	14	12	5497.067	1
		Type5	19	12	12	5496.267	1
		Type5	20	16	12	5561.733	1
		Type5	21	12	12	5564.133	1
		Type5	22	20	12	5559.733	1
		Type5	23	14	12	5562.933	1
		Type5	24	13	12	5563.333	1
		Type5	25	8	12	5565.733	1
		Type5	26	17	12	5561.333	1
		Type5	27	19	12	5560.133	1
		Type5	28	12	12	5563.733	1
Type5	29	18	12	5560.933	1		

Statistics 0 (Chirp Center Frequency: 5530 MHz)

Trial #	Burst Offset(us)	Pulse Width (µS)	Chirp(MHz)	Number of Pulses per Burst	PRI-1(µS)	PRI-2(µS)	PRI-3(µS)
0	636185.0	77.8	13	2	1665.0	1477.0	-
1	32674.0	51.9	13	1	1074.0	-	-
2	226294.0	63.8	13	1	1584.0	-	-
3	417976.0	96.6	13	3	1682.0	1786.0	1843.0
4	611152.0	85.9	13	3	1795.0	1215.0	1729.0
5	8789.0	73.7	13	2	1198.0	1549.0	-
6	201917.0	77.2	13	2	1837.0	1819.0	-
7	395530.0	68.4	13	2	1587.0	1114.0	-
8	588564.0	76.7	13	2	2000.0	1155.0	-
9	783794.0	53.2	13	1	1147.0	-	-
10	177933.0	85.7	13	3	1433.0	1695.0	1394.0
11	370624.0	94.3	13	3	1670.0	1426.0	1935.0
12	564893.0	77.6	13	2	1294.0	1671.0	-
13	759583.0	65.7	13	1	1512.0	-	-
14	154262.0	93.5	13	3	1444.0	1130.0	1468.0

Statistics 1 (Chirp Center Frequency: 5530 MHz)

Trial #	Burst Offset(us)	Pulse Width (μS)	Chirp(MHz)	Number of Pulses per Burst	PRI-1(μS)	PRI-2(μS)	PRI-3(μS)
0	653020.0	75.0	5	2	1880.0	1527.0	-
1	1015643.0	99.4	5	3	1401.0	1262.0	1257.0
2	1379398.0	67.4	5	2	1531.0	1403.0	-
3	245489.0	73.6	5	2	1449.0	1041.0	-
4	609113.0	65.9	5	1	1432.0	-	-
5	970852.0	83.8	5	3	1356.0	1292.0	1419.0
6	1335913.0	65.5	5	1	1543.0	-	-
7	200406.0	98.6	5	3	1548.0	1796.0	1728.0

Statistics 2 (Chirp Center Frequency: 5530 MHz)

Trial #	Burst Offset(us)	Pulse Width (μS)	Chirp(MHz)	Number of Pulses per Burst	PRI-1(μS)	PRI-2(μS)	PRI-3(μS)
0	409565.0	73.8	9	2	1806.0	1538.0	-
1	673692.0	69.5	9	2	1117.0	1649.0	-
2	938562.0	51.9	9	1	1651.0	-	-
3	113209.0	84.6	9	3	1976.0	1032.0	1271.0
4	376726.0	95.4	9	3	1060.0	1903.0	1388.0
5	641212.0	68.0	9	2	1368.0	1351.0	-
6	903714.0	89.6	9	3	1338.0	1514.0	1573.0
7	80863.0	81.9	9	2	1022.0	1689.0	-
8	344067.0	88.3	9	3	1810.0	1330.0	1838.0
9	609331.0	53.7	9	1	1597.0	-	-
10	871542.0	91.3	9	3	1961.0	1106.0	1001.0

Statistics 3 (Chirp Center Frequency: 5530 MHz)

Trial #	Burst Offset(us)	Pulse Width (μS)	Chirp(MHz)	Number of Pulses per Burst	PRI-1(μS)	PRI-2(μS)	PRI-3(μS)
0	26541.0	68.1	19	2	1339.0	1355.0	-
1	171821.0	58.7	19	1	1251.0	-	-
2	316229.0	75.3	19	2	1136.0	1640.0	-
3	461864.0	56.4	19	1	1753.0	-	-
4	8677.0	99.7	19	3	1196.0	1708.0	1159.0
5	153995.0	57.7	19	1	1013.0	-	-
6	299238.0	59.5	19	1	1072.0	-	-
7	443177.0	80.0	19	2	1482.0	1369.0	-
8	587671.0	82.0	19	2	1993.0	1197.0	-
9	135674.0	82.8	19	2	1883.0	1005.0	-
10	279928.0	88.0	19	3	1061.0	1928.0	1101.0
11	424279.0	93.2	19	3	1207.0	1907.0	1223.0
12	570132.0	70.4	19	2	1526.0	1360.0	-
13	117439.0	95.3	19	3	1171.0	1955.0	1775.0
14							
15	262502.0	81.9	19	2	1690.0	1545.0	-
16	406573.0	98.5	19	3	1975.0	1169.0	1062.0
17	553328.0	65.0	19	1	1767.0	-	-
18	99799.0	85.4	19	3	1011.0	1637.0	1425.0
19	244095.0	91.6	19	3	1878.0	1445.0	1325.0

Statistics 4 (Chirp Center Frequency: 5530 MHz)

Trial #	Burst Offset(us)	Pulse Width (μ S)	Chirp(MHz)	Number of Pulses per Burst	PRI-1(μ S)	PRI-2(μ S)	PRI-3(μ S)
0	629614.0	67.9	16	2	1320.0	1133.0	-
1	96856.0	62.3	16	1	1957.0	-	-
2	267719.0	53.3	16	1	1592.0	-	-
3	436784.0	90.0	16	3	1900.0	1153.0	1346.0
4	608289.0	77.1	16	2	1166.0	1646.0	-
5	75610.0	83.9	16	3	1278.0	1232.0	1459.0
6	245638.0	89.1	16	3	1240.0	1384.0	1939.0
7	416355.0	81.8	16	2	1833.0	1676.0	-
8	588736.0	50.3	16	1	1075.0	-	-
9	54571.0	87.1	16	3	1116.0	1996.0	1756.0
10	225175.0	71.3	16	2	1225.0	1815.0	-
11	394825.0	97.5	16	3	1884.0	1465.0	1132.0
12	565361.0	90.6	16	3	1561.0	1040.0	1354.0
13	33643.0	86.3	16	3	1596.0	1183.0	1792.0
14	203957.0	97.6	16	3	1365.0	1073.0	1361.0
15	373812.0	84.7	16	3	1021.0	1718.0	1854.0
16	544060.0	99.7	16	3	1150.0	1244.0	1988.0

Statistics 5 (Chirp Center Frequency: 5530 MHz)

Trial #	Burst Offset(us)	Pulse Width (μ S)	Chirp(MHz)	Number of Pulses per Burst	PRI-1(μ S)	PRI-2(μ S)	PRI-3(μ S)
0	15438.0	92.9	12	3	1085.0	1564.0	1407.0
1	222486.0	67.7	12	2	1744.0	1747.0	-
2	430731.0	65.8	12	1	1092.0	-	-
3	637784.0	56.3	12	1	1851.0	-	-
4	845342.0	53.7	12	1	1727.0	-	-
5	196720.0	83.5	12	3	1679.0	1930.0	1025.0
6	404955.0	65.8	12	1	1519.0	-	-
7	610711.0	85.9	12	3	1134.0	1034.0	1808.0
8	818057.0	76.3	12	2	1606.0	1926.0	-
9	171459.0	81.5	12	2	1891.0	1714.0	-
10	377969.0	89.4	12	3	1310.0	1594.0	1827.0
11	586875.0	63.4	12	1	1568.0	-	-
12	792834.0	69.6	12	2	1307.0	1925.0	-
13	146044.0	74.5	12	2	1264.0	1846.0	-

Statistics 6 (Chirp Center Frequency: 5530 MHz)

Trial #	Burst Offset(us)	Pulse Width (μ S)	Chirp(MHz)	Number of Pulses per Burst	PRI-1(μ S)	PRI-2(μ S)	PRI-3(μ S)
0	329022.0	96.6	13	3	1182.0	1609.0	1581.0
1	521718.0	96.7	13	3	1829.0	1799.0	1154.0
2	714222.0	86.5	13	3	1923.0	1396.0	1865.0
3	112450.0	73.3	13	2	1908.0	1318.0	-
4	306283.0	55.8	13	1	1688.0	-	-
5	500239.0	55.4	13	1	1145.0	-	-
6	690932.0	85.3	13	3	1336.0	1504.0	1820.0
7	88645.0	79.4	13	2	1344.0	1893.0	-
8	282508.0	65.7	13	1	1476.0	-	-
9	475842.0	68.6	13	2	1008.0	1028.0	-
10	667887.0	77.7	13	2	1972.0	1835.0	-

11	64845.0	79.6	13	2	1882.0	1331.0	-
12	257755.0	94.9	13	3	1830.0	1070.0	1349.0
13	452335.0	61.4	13	1	1451.0	-	-
14	643395.0	90.6	13	3	1233.0	1562.0	1887.0
15	329022.0	96.6	13	3	1182.0	1609.0	1581.0

Statistics 7 (Chirp Center Frequency: 5530 MHz)

Trial #	Burst Offset(us)	Pulse Width (μ S)	Chirp(MHz)	Number of Pulses per Burst	PRI-1(μ S)	PRI-2(μ S)	PRI-3(μ S)
0	51446.0	52.6	10	1	1210.0	-	-
1	292696.0	84.1	10	3	1314.0	1725.0	1529.0
2	533989.0	97.7	10	3	1139.0	1868.0	1805.0
3	775564.0	97.3	10	3	1341.0	1446.0	1755.0
4	21542.0	98.8	10	3	1544.0	1386.0	1302.0
5	263385.0	72.2	10	2	1771.0	1184.0	-
6	505581.0	67.6	10	2	1175.0	1027.0	-
7	747058.0	75.7	10	2	1026.0	1871.0	-
8	989976.0	60.9	10	1	1798.0	-	-
9	234024.0	64.2	10	1	1138.0	-	-
10	475207.0	78.8	10	2	1784.0	1604.0	-
11	715825.0	87.5	10	3	1511.0	1712.0	1683.0

Statistics 8 (Chirp Center Frequency: 5530 MHz)

Trial #	Burst Offset(us)	Pulse Width (μ S)	Chirp(MHz)	Number of Pulses per Burst	PRI-1(μ S)	PRI-2(μ S)	PRI-3(μ S)
0	823112.0	54.1	13	1	1415.0	-	-
1	174965.0	50.7	13	1	1221.0	-	-
2	382216.0	52.3	13	1	1974.0	-	-
3	587395.0	99.8	13	3	1558.0	1696.0	1949.0
4	796897.0	68.4	13	2	1014.0	1099.0	-
5	149042.0	80.8	13	2	1736.0	1505.0	-
6	356750.0	62.5	13	1	1778.0	-	-
7	563824.0	74.8	13	2	1149.0	1204.0	-
8	772314.0	50.8	13	1	1049.0	-	-
9	123796.0	54.0	13	1	1417.0	-	-
10	331215.0	63.0	13	1	1730.0	-	-
11	537402.0	91.8	13	3	1143.0	1270.0	1347.0
12	744805.0	79.3	13	2	1274.0	1992.0	-
13	98172.0	64.3	13	1	1937.0	-	-

Statistics 9 (Chirp Center Frequency: 5530 MHz)

Trial #	Burst Offset(us)	Pulse Width (μ S)	Chirp(MHz)	Number of Pulses per Burst	PRI-1(μ S)	PRI-2(μ S)	PRI-3(μ S)
0	535615.0	63.4	6	1	1043.0	-	-
1	898668.0	52.0	6	1	1863.0	-	-
2	1259235.0	97.2	6	3	1973.0	1605.0	1583.0
3	127106.0	78.7	6	2	1466.0	1743.0	-
4	490358.0	74.2	6	2	1280.0	1219.0	-
5	852409.0	88.7	6	3	1293.0	1934.0	1273.0
6	1217152.0	54.3	6	1	1991.0	-	-
7	82296.0	95.4	6	3	1580.0	1555.0	1791.0

Statistics 10 (Chirp Center Frequency: 5496.4 MHz)

Trial #	Burst Offset(us)	Pulse Width (μS)	Chirp(MHz)	Number of Pulses per Burst	PRI-1(μS)	PRI-2(μS)	PRI-3(μS)
0	209249.0	73.7	16	2	1208.0	1497.0	-
1	378386.0	97.4	16	3	1942.0	1754.0	1613.0
2	548411.0	91.7	16	3	1999.0	1702.0	1462.0
3	17733.0	66.2	16	1	1393.0	-	-
4	187952.0	70.8	16	2	1968.0	1821.0	-
5	359277.0	52.3	16	1	1740.0	-	-
6	528886.0	78.9	16	2	1308.0	1984.0	-
7	700166.0	70.9	16	2	1050.0	1358.0	-
8	167197.0	75.6	16	2	1437.0	1430.0	-
9	338262.0	59.1	16	1	1697.0	-	-
10	508324.0	77.0	16	2	1397.0	1304.0	-
11	678689.0	67.9	16	2	1803.0	1083.0	-
12	146031.0	81.2	16	2	1720.0	1932.0	-
13	316923.0	78.7	16	2	1247.0	1121.0	-
14	488056.0	63.3	16	1	1634.0	-	-
15	657326.0	68.9	16	2	1849.0	1423.0	-
16	125509.0	59.3	16	1	1093.0	-	-

Statistics 11 (Chirp Center Frequency: 5497.6MHz)

Trial #	Burst Offset(us)	Pulse Width (μS)	Chirp(MHz)	Number of Pulses per Burst	PRI-1(μS)	PRI-2(μS)	PRI-3(μS)
0	263736.0	98.9	19	3	1381.0	1680.0	1488.0
1	416459.0	82.3	19	2	1716.0	1855.0	-
2	567902.0	86.7	19	3	1211.0	1400.0	1919.0
3	92979.0	89.7	19	3	1861.0	1068.0	1282.0
4	245155.0	98.6	19	3	1507.0	1194.0	1461.0
5	397609.0	71.1	19	2	1921.0	1789.0	-
6	551431.0	55.9	19	1	1947.0	-	-
7	74413.0	67.9	19	2	1350.0	1372.0	-
8	226559.0	84.4	19	3	1203.0	1107.0	1443.0
9	380056.0	58.8	19	1	1715.0	-	-
10	533408.0	65.6	19	1	1017.0	-	-
11	55547.0	78.5	19	2	1911.0	1704.0	-
12	207876.0	82.3	19	2	1845.0	1686.0	-
13	359771.0	90.1	19	3	1938.0	1071.0	1266.0
14	511297.0	90.2	19	3	1989.0	1089.0	1950.0
15	36803.0	83.1	19	2	1943.0	1406.0	-
16	189652.0	58.8	19	1	1742.0	-	-
17	341809.0	77.0	19	2	1187.0	1657.0	-
18	495737.0	55.0	19	1	1012.0	-	-

Statistics 12 (Chirp Center Frequency: 5495.2MHz)

Trial #	Burst Offset(us)	Pulse Width (μS)	Chirp(MHz)	Number of Pulses per Burst	PRI-1(μS)	PRI-2(μS)	PRI-3(μS)
0	22911.0	58.1	13	1	1929.0	-	-
1	216473.0	52.1	13	1	1910.0	-	-
2	410004.0	59.9	13	1	1971.0	-	-
3	603671.0	60.2	13	1	1812.0	-	-
4	794160.0	95.9	13	3	1399.0	1906.0	1608.0
5	192251.0	79.9	13	2	1626.0	1859.0	-

6	385590.0	78.5	13	2	1238.0	1917.0	-
7	579862.0	53.8	13	1	1763.0	-	-
8	773423.0	64.7	13	1	1800.0	-	-
9	168898.0	61.4	13	1	1390.0	-	-
10	361606.0	83.2	13	2	1692.0	1858.0	-
11	553866.0	84.7	13	3	1533.0	1677.0	1638.0
12	747241.0	88.7	13	3	1703.0	1528.0	1058.0
13	144710.0	78.3	13	2	1258.0	1951.0	-
14	337856.0	69.3	13	2	1731.0	1717.0	-

Statistics 13 (ChirpCenter Frequency: 5494 MHz)

Trial #	Burst Offset(us)	Pulse Width (μS)	Chirp(MHz)	Number of Pulses per Burst	PRI-1(μS)	PRI-2(μS)	PRI-3(μS)
0	664275.0	75.3	10	2	1994.0	1612.0	-
1	907886.0	56.3	10	1	1456.0	-	-
2	151316.0	67.7	10	2	1617.0	1185.0	-
3	393746.0	55.6	10	1	1337.0	-	-
4	635093.0	75.2	10	2	1421.0	1267.0	-
5	876993.0	76.3	10	2	1359.0	1305.0	-
6	121278.0	85.7	10	3	1547.0	1362.0	1924.0
7	362696.0	98.4	10	3	1873.0	1550.0	1249.0
8	604342.0	86.4	10	3	1779.0	1439.0	1046.0
9	846453.0	93.6	10	3	1059.0	1031.0	1452.0
10	91871.0	63.3	10	1	1328.0	-	-
11	333050.0	92.4	10	3	1412.0	1673.0	1322.0

Statistics14 (ChirpCenter Frequency: 5497.2 MHz)

Trial #	Burst Offset(us)	Pulse Width (μS)	Chirp(MHz)	Number of Pulses per Burst	PRI-1(μS)	PRI-2(μS)	PRI-3(μS)
0	361323.0	93.3	18	3	1983.0	1912.0	1535.0
1	515261.0	69.1	18	2	1102.0	1794.0	-
2	39025.0	86.9	18	3	1044.0	1152.0	1148.0
3	190900.0	84.9	18	3	1894.0	1948.0	1118.0
4	343941.0	72.3	18	2	1094.0	1916.0	-
5	497624.0	51.7	18	1	1447.0	-	-
6	20319.0	58.3	18	1	1429.0	-	-
7	172999.0	60.8	18	1	1979.0	-	-
8	325872.0	57.1	18	1	1641.0	-	-
9	475841.0	88.9	18	3	1886.0	1964.0	1489.0
10	1489.0	72.0	18	2	1909.0	1297.0	-
11	153647.0	90.9	18	3	1261.0	1566.0	1370.0
12	307096.0	59.8	18	1	1552.0	-	-
13	458804.0	70.0	18	2	1759.0	1291.0	-
14	610798.0	67.2	18	2	1625.0	1881.0	-
15	134759.0	91.2	18	3	1382.0	1832.0	1661.0
16	288306.0	56.5	18	1	1483.0	-	-
17	441296.0	51.2	18	1	1237.0	-	-
18	592780.0	74.1	18	2	1471.0	1245.0	-

Statistics 15 (ChirpCenter Frequency: 5494.8 MHz)

Trial #	Burst Offset(us)	Pulse Width (μS)	Chirp(MHz)	Number of Pulses per Burst	PRI-1(μS)	PRI-2(μS)	PRI-3(μS)
0	158286.0	76.9	12	2	1110.0	1140.0	-

1	366024.0	50.2	12	1	1316.0	-	-
2	573452.0	62.9	12	1	1520.0	-	-
3	780619.0	64.7	12	1	1902.0	-	-
4	132455.0	83.8	12	3	1410.0	1097.0	1621.0
5	340207.0	65.4	12	1	1944.0	-	-
6	548208.0	53.2	12	1	1024.0	-	-
7	755333.0	51.7	12	1	1603.0	-	-
8	107117.0	78.7	12	2	1804.0	1168.0	-
9	314500.0	72.4	12	2	1030.0	1343.0	-
10	522447.0	53.8	12	1	1327.0	-	-
11	728517.0	73.6	12	2	1524.0	1553.0	-
12	81611.0	66.7	12	2	1722.0	1122.0	-
13	288948.0	82.5	12	2	1404.0	1019.0	-

Statistics 16 (ChirpCenter Frequency: 5498 MHz)

Trial #	Burst Offset(us)	Pulse Width (μ S)	Chirp(MHz)	Number of Pulses per Burst	PRI-1(μ S)	PRI-2(μ S)	PRI-3(μ S)
0	345766.0	87.6	20	3	1565.0	1055.0	1840.0
1	490019.0	85.2	20	3	1735.0	1541.0	1408.0
2	39073.0	84.8	20	3	1534.0	1889.0	1463.0
3	183923.0	77.9	20	2	1749.0	1460.0	-
4	328777.0	76.5	20	2	1518.0	1485.0	-
5	474728.0	60.9	20	1	1540.0	-	-
6	21394.0	83.0	20	2	1080.0	1010.0	-
7	165992.0	80.4	20	2	1824.0	1752.0	-
8	310973.0	67.5	20	2	1764.0	1181.0	-
9	456884.0	62.1	20	1	1495.0	-	-
10	3515.0	86.4	20	3	1773.0	1966.0	1263.0
11	147928.0	84.3	20	3	1593.0	1188.0	1788.0
12	293225.0	76.9	20	2	1226.0	1537.0	-
13	436922.0	95.8	20	3	1192.0	1298.0	1844.0
14	584015.0	55.2	20	1	1644.0	-	-
15	130832.0	59.0	20	1	1402.0	-	-
16	274684.0	94.5	20	3	1296.0	1700.0	1283.0
17	418579.0	91.9	20	3	1970.0	1978.0	1165.0
18	563464.0	85.2	20	3	1732.0	1551.0	1189.0
19	112787.0	69.5	20	2	1038.0	1224.0	-

Statistics 17 (ChirpCenter Frequency: 5494 MHz)

Trial #	Burst Offset(us)	Pulse Width (μ S)	Chirp(MHz)	Number of Pulses per Burst	PRI-1(μ S)	PRI-2(μ S)	PRI-3(μ S)
0	429224.0	86.4	10	3	1259.0	1918.0	1455.0
1	670241.0	92.2	10	3	1598.0	1719.0	1895.0
2	912880.0	80.4	10	2	1816.0	1899.0	-
3	158603.0	54.3	10	1	1335.0	-	-
4	400824.0	53.1	10	1	1303.0	-	-
5	641915.0	69.4	10	2	1503.0	1546.0	-
6	883823.0	69.1	10	2	1279.0	1639.0	-
7	128373.0	100.0	10	3	1375.0	1438.0	1595.0
8	370379.0	79.6	10	2	1239.0	1705.0	-
9	611194.0	88.4	10	3	1374.0	1579.0	1623.0
10	855665.0	53.3	10	1	1016.0	-	-
11	98897.0	65.3	10	1	1709.0	-	-

Statistics 18 (ChirpCenter Frequency: 5494.8 MHz)

Trial #	Burst Offset(us)	Pulse Width (μS)	Chirp(MHz)	Number of Pulses per Burst	PRI-1(μS)	PRI-2(μS)	PRI-3(μS)
0	292143.0	55.3	12	1	1920.0	-	-
1	499633.0	58.3	12	1	1797.0	-	-
2	706377.0	72.3	12	2	1610.0	1039.0	-
3	58989.0	84.8	12	3	1131.0	1761.0	1721.0
4	266161.0	82.5	12	2	1875.0	1431.0	-
5	474469.0	63.3	12	1	1095.0	-	-
6	680544.0	80.0	12	2	1119.0	1913.0	-
7	33519.0	90.3	12	3	1660.0	1853.0	1123.0
8	240319.0	91.1	12	3	1539.0	1783.0	1172.0
9	447400.0	96.6	12	3	1525.0	1036.0	1385.0
10	654516.0	82.7	12	2	1710.0	1990.0	-
11	8083.0	50.7	12	1	1234.0	-	-
12	215435.0	78.4	12	2	1047.0	1109.0	-
13	421325.0	99.5	12	3	1299.0	1965.0	1869.0

Statistics 19 (ChirpCenter Frequency: 5494 MHz)

Trial #	Burst Offset(us)	Pulse Width (μS)	Chirp(MHz)	Number of Pulses per Burst	PRI-1(μS)	PRI-2(μS)	PRI-3(μS)
0	733725.0	88.6	10	3	1501.0	1067.0	1927.0
1	977882.0	57.4	10	1	1723.0	-	-
2	221197.0	96.6	10	3	1086.0	1658.0	1324.0
3	462915.0	69.7	10	2	1751.0	1945.0	-
4	705071.0	77.9	10	2	1642.0	1317.0	-
5	947923.0	62.0	10	1	1866.0	-	-
6	191373.0	88.4	10	3	1997.0	1077.0	1366.0
7	432561.0	97.3	10	3	1790.0	1896.0	1367.0
8	674004.0	96.2	10	3	1391.0	1787.0	1672.0
9	915842.0	95.4	10	3	1020.0	1892.0	1414.0
10	162176.0	54.8	10	1	1084.0	-	-
11	403553.0	80.4	10	2	1850.0	1436.0	-

Statistics 20 (ChirpCenter Frequency: 5564MHz)

Trial #	Burst Offset(us)	Pulse Width (μS)	Chirp(MHz)	Number of Pulses per Burst	PRI-1(μS)	PRI-2(μS)	PRI-3(μS)
0	483470.0	74.7	15	2	1619.0	1611.0	-
1	666072.0	57.1	15	1	1560.0	-	-
2	98810.0	91.9	15	3	1392.0	1475.0	1276.0
3	279914.0	83.1	15	2	1809.0	1772.0	-
4	462536.0	50.7	15	1	1003.0	-	-
5	642324.0	79.2	15	2	1574.0	1600.0	-
6	76831.0	58.7	15	1	1186.0	-	-
7	257785.0	71.0	15	2	1521.0	1567.0	-
8	438554.0	79.0	15	2	1777.0	1960.0	-
9	620397.0	68.5	15	2	1284.0	1428.0	-
10	54310.0	73.5	15	2	1904.0	1352.0	-
11	235506.0	70.5	15	2	1864.0	1115.0	-
12	417036.0	76.6	15	2	1045.0	1300.0	-
13	597974.0	81.2	15	2	1160.0	1675.0	-
14	32086.0	61.8	15	1	1277.0	-	-
15	212751.0	94.9	15	3	1450.0	1206.0	1860.0

Statistics 21 (ChirpCenter Frequency: 5566.4 MHz)

Trial #	Burst Offset(us)	Pulse Width (μS)	Chirp(MHz)	Number of Pulses per Burst	PRI-1(μS)	PRI-2(μS)	PRI-3(μS)
0	526149.0	78.5	9	2	1653.0	1698.0	-
1	767135.0	89.8	9	3	1174.0	1962.0	1167.0
2	12955.0	59.4	9	1	1982.0	-	-
3	254612.0	79.6	9	2	1633.0	1890.0	-
4	496588.0	76.0	9	2	1112.0	1811.0	-
5	739728.0	53.6	9	1	1144.0	-	-
6	980872.0	80.9	9	2	1220.0	1053.0	-
7	225249.0	61.6	9	1	1724.0	-	-
8	467279.0	53.4	9	1	1901.0	-	-
9	709720.0	59.9	9	1	1379.0	-	-
10	951847.0	60.4	9	1	1453.0	-	-
11	194839.0	91.4	9	3	1768.0	1726.0	1227.0

Statistics 22 (Chirp Center Frequency: 5562MHz)

Trial #	Burst Offset(us)	Pulse Width (μS)	Chirp(MHz)	Number of Pulses per Burst	PRI-1(μS)	PRI-2(μS)	PRI-3(μS)
0	261858.0	77.0	20	2	1191.0	1363.0	-
1	407646.0	58.1	20	1	1248.0	-	-
2	552319.0	62.1	20	1	1836.0	-	-
3	99107.0	76.9	20	2	1334.0	1236.0	-
4	243514.0	80.0	20	2	1914.0	1852.0	-
5	389464.0	52.0	20	1	1701.0	-	-
6	531093.0	88.6	20	3	1693.0	1995.0	1905.0
7	81159.0	72.9	20	2	1922.0	1387.0	-
8	225245.0	98.5	20	3	1839.0	1746.0	1389.0
9	371906.0	57.9	20	1	1193.0	-	-
10	514197.0	95.9	20	3	1659.0	1870.0	1066.0
11	63561.0	53.5	20	1	1162.0	-	-
12	207510.0	92.0	20	3	1745.0	1654.0	1458.0
13	353638.0	57.3	20	1	1834.0	-	-
14	497515.0	70.5	20	2	1684.0	1586.0	-
15	45553.0	70.0	20	2	1042.0	1664.0	-
16	189821.0	84.0	20	3	1765.0	1630.0	1176.0
17	335330.0	76.1	20	2	1557.0	1057.0	-
18	478825.0	93.2	20	3	1985.0	1018.0	1340.0
19	27594.0	96.8	20	3	1760.0	1614.0	1817.0

Statistics 23 (Chirp Center Frequency: 5565.2MHz)

Trial #	Burst Offset(us)	Pulse Width (μS)	Chirp(MHz)	Number of Pulses per Burst	PRI-1(μS)	PRI-2(μS)	PRI-3(μS)
0	247117.0	50.1	12	1	1841.0	-	-
1	453362.0	93.5	12	3	1590.0	1081.0	1413.0
2	660875.0	68.8	12	2	1707.0	1577.0	-
3	14140.0	56.3	12	1	1056.0	-	-
4	220734.0	86.0	12	3	1953.0	1108.0	1987.0
5	428367.0	75.2	12	2	1572.0	1536.0	-
6	636681.0	54.4	12	1	1517.0	-	-
7	843157.0	71.1	12	2	1329.0	1243.0	-
8	195585.0	76.2	12	2	1940.0	1770.0	-

9	403231.0	80.2	12	2	1098.0	1209.0	-
10	610202.0	79.7	12	2	1588.0	1214.0	-
11	815229.0	90.9	12	3	1615.0	1862.0	1601.0
12	170267.0	68.7	12	2	1377.0	1441.0	-
13	377306.0	67.4	12	2	1872.0	1313.0	-

Statistics 24 (Chirp Center Frequency: 5565.6 MHz)

Trial #	Burst Offset(us)	Pulse Width (μS)	Chirp(MHz)	Number of Pulses per Burst	PRI-1(μS)	PRI-2(μS)	PRI-3(μS)
0	628071.0	94.0	11	3	1643.0	1748.0	1941.0
1	853391.0	70.8	11	2	1177.0	1201.0	-
2	156223.0	56.3	11	1	1006.0	-	-
3	378734.0	96.7	11	3	1230.0	1163.0	1332.0
4	601331.0	90.6	11	3	1217.0	1582.0	1498.0
5	825462.0	74.5	11	2	1569.0	1281.0	-
6	128265.0	92.6	11	3	1065.0	1669.0	1222.0
7	351161.0	89.0	11	3	1493.0	1135.0	1380.0
8	573425.0	96.5	11	3	1607.0	1822.0	1602.0
9	798431.0	70.5	11	2	1141.0	1178.0	-
10	100737.0	94.0	11	3	1009.0	1629.0	1956.0
11	324661.0	55.8	11	1	1290.0	-	-
12	546278.0	87.7	11	3	1435.0	1963.0	1164.0

Statistics 25 (Chirp Center Frequency: 5568 MHz)

Trial #	Burst Offset(us)	Pulse Width (μS)	Chirp(MHz)	Number of Pulses per Burst	PRI-1(μS)	PRI-2(μS)	PRI-3(μS)
0	1253842.0	68.6	5	2	1306.0	1161.0	-
1	119486.0	83.1	5	2	1420.0	1315.0	-
2	482958.0	60.9	5	1	1687.0	-	-
3	845641.0	77.7	5	2	1776.0	1158.0	-
4	1208428.0	77.4	5	2	1793.0	1510.0	-
5	74748.0	66.8	5	2	1576.0	1323.0	-
6	438300.0	63.7	5	1	1333.0	-	-
7	800152.0	91.2	5	3	1409.0	1681.0	1275.0

Statistics 26 (Chirp Center Frequency: 5576.4 MHz)

Trial #	Burst Offset(us)	Pulse Width (μS)	Chirp(MHz)	Number of Pulses per Burst	PRI-1(μS)	PRI-2(μS)	PRI-3(μS)
0	545865.0	83.6	16	3	1632.0	1195.0	1000.0
1	14067.0	89.4	16	3	1173.0	1627.0	1656.0
2	184953.0	55.8	16	1	1532.0	-	-
3	353759.0	90.9	16	3	1981.0	1554.0	1998.0
4	526388.0	54.7	16	1	1825.0	-	-
5	694806.0	97.7	16	3	1734.0	1202.0	1250.0
6	163568.0	67.5	16	2	1571.0	1434.0	-
7	333410.0	96.7	16	3	1589.0	1469.0	1268.0
8	504006.0	68.3	16	2	1750.0	1954.0	-
9	675297.0	78.3	16	2	1591.0	1082.0	-
10	142890.0	55.0	16	1	1427.0	-	-
11	312479.0	84.9	16	3	1129.0	1936.0	1199.0
12	482953.0	74.6	16	2	1959.0	1856.0	-
13	655022.0	63.3	16	1	1885.0	-	-
14	121457.0	99.8	16	3	1035.0	1515.0	1120.0

15	292606.0	63.6	16	1	1647.0	-	-
16	461322.0	87.3	16	3	1931.0	1051.0	1831.0

Statistics 27 (ChirpCenter Frequency: 5562.4 MHz)

Trial #	Burst Offset(us)	Pulse Width (μS)	Chirp(MHz)	Number of Pulses per Burst	PRI-1(μS)	PRI-2(μS)	PRI-3(μS)
0	565136.0	85.6	19	3	1946.0	1078.0	1015.0
1	89970.0	68.6	19	2	1029.0	1780.0	-
2	243121.0	54.2	19	1	1111.0	-	-
3	396034.0	61.2	19	1	1104.0	-	-
4	546225.0	97.1	19	3	1157.0	1969.0	1100.0
5	70998.0	98.3	19	3	1142.0	1699.0	1622.0
6	224093.0	62.4	19	1	1655.0	-	-
7	376127.0	80.2	19	2	1126.0	1769.0	-
8	527806.0	87.5	19	3	1216.0	1448.0	1179.0
9	52247.0	85.8	19	3	1847.0	1348.0	1472.0
10	204582.0	88.1	19	3	1023.0	1124.0	1631.0
11	357941.0	65.3	19	1	1848.0	-	-
12	510977.0	52.5	19	1	1470.0	-	-
13	33698.0	52.3	19	1	1312.0	-	-
14	186023.0	74.1	19	2	1915.0	1200.0	-
15	339327.0	54.9	19	1	1479.0	-	-
16	491053.0	76.2	19	2	1376.0	1502.0	-
17	14858.0	60.4	19	1	1758.0	-	-
18	167387.0	81.5	19	2	1491.0	1103.0	-

Statistics 28 (Chirp Center Frequency: 5566 MHz)

Trial #	Burst Offset(us)	Pulse Width (μS)	Chirp(MHz)	Number of Pulses per Burst	PRI-1(μS)	Pulse 2-3 spacing(μS)	Pulse Start(mS)
0	507709.0	50.5	10	1	1857.0	-	-
1	750249.0	55.7	10	1	1246.0	-	-
2	989003.0	85.8	10	3	1774.0	1002.0	1967.0
3	235634.0	76.9	10	2	1125.0	1474.0	-
4	477675.0	75.1	10	2	1254.0	1052.0	-
5	718312.0	92.3	10	3	1180.0	1486.0	1492.0
6	960895.0	78.1	10	2	1301.0	1757.0	-
7	205370.0	92.2	10	3	1898.0	1252.0	1713.0
8	446940.0	89.0	10	3	1260.0	1706.0	1411.0
9	689225.0	70.9	10	2	1578.0	1620.0	-
10	932305.0	63.1	10	1	1782.0	-	-
11	176231.0	55.3	10	1	1522.0	-	-

Statistics 29 (Chirp Center Frequency: 5563.2 MHz)

Trial #	Burst Offset(us)	Pulse Width (μS)	Chirp(MHz)	Number of Pulses per Burst	PRI-1(μS)	Pulse 2-3 spacing(μS)	Pulse Start(mS)
0	437880.0	97.3	17	3	1319.0	1826.0	1635.0
1	598445.0	90.4	17	3	1079.0	1986.0	1674.0
2	97088.0	91.8	17	3	1563.0	1151.0	1802.0
3	257251.0	98.2	17	3	1876.0	1977.0	1766.0
4	419893.0	59.5	17	1	1952.0	-	-
5	580724.0	80.0	17	2	1253.0	1137.0	-
6	77366.0	86.5	17	3	1054.0	1128.0	1828.0
7	238032.0	91.1	17	3	1105.0	1599.0	1442.0

8	398605.0	93.5	17	3	1867.0	1373.0	1087.0
9	562025.0	60.7	17	1	1033.0	-	-
10	57684.0	67.2	17	2	1288.0	1405.0	-
11	219083.0	61.8	17	1	1585.0	-	-
12	379234.0	79.4	17	2	1933.0	1667.0	-
13	540896.0	81.4	17	2	1096.0	1464.0	-
14	37916.0	65.7	17	1	1496.0	-	-
15	198794.0	76.0	17	2	1733.0	1255.0	-
16	359754.0	81.0	17	2	1326.0	1668.0	-
17	437880.0	97.3	17	3	1319.0	1826.0	1635.0

Bandwidth [MHz]	Frequency [MHz]	Radar Type	Trial ID	Pulse width (μ s)	PRI (μ s)	Pulses per Hop	Detection (1: Yes; 0: No)
80	5530	Type6	0	1	333.3	9	1
		Type6	1	1	333.3	9	1
		Type6	2	1	333.3	9	1
		Type6	3	1	333.3	9	1
		Type6	4	1	333.3	9	1
		Type6	5	1	333.3	9	1
		Type6	6	1	333.3	9	1
		Type6	7	1	333.3	9	1
		Type6	8	1	333.3	9	1
		Type6	9	1	333.3	9	1
		Type6	10	1	333.3	9	1
		Type6	11	1	333.3	9	1
		Type6	12	1	333.3	9	1
		Type6	13	1	333.3	9	1
		Type6	14	1	333.3	9	1
		Type6	15	1	333.3	9	1
		Type6	16	1	333.3	9	1
		Type6	17	1	333.3	9	1
		Type6	18	1	333.3	9	1
		Type6	19	1	333.3	9	1
		Type6	20	1	333.3	9	1
		Type6	21	1	333.3	9	1
		Type6	22	1	333.3	9	1
		Type6	23	1	333.3	9	1
		Type6	24	1	333.3	9	1
		Type6	25	1	333.3	9	1
		Type6	26	1	333.3	9	1
		Type6	27	1	333.3	9	1
		Type6	28	1	333.3	9	1
Type6	29	1	333.3	9	1		

9. Statistical Performance Check of Bridge Mode

9.1. Limit

Per KDB 905462 D02, Section 5.1 (footnote 2):

Networks Access Points with Bridge and/or MESH modes of operation are permitted to operate in the DFS bands but must employ a DFS function. The functionality of the Bridge mode as specified in §15.403(a) must be validated in the DFS test report. Devices operating as relays where they act as master and client must also employ DFS function for the master. The method used to validate the functionality must be documented and validation data must be documented. Bridge mode can be validated by performing a test statistical performance check (Section 7.8.4) on any one of the radar types. This is an abbreviated test to verify DFS functionality. MESH mode operational methodology must be submitted in the application for certification for evaluation by the FCC.

9.2. Test Procedure

The steps below define the procedure to determine the minimum percentage of successful detection requirements by any one of the radar types in Tables 5-7 when a radar burst with a level equal to the DFS Detection Threshold + 1dB is generated on the Operating Channel of the U-NII device (In- Service Monitoring).

a) One frequency will be chosen from the Operating Channels of the UUT within the 5250-5350 MHz or 5470-5725 MHz bands.

b) In case the UUT is a U-NII device operating as a Client Device (with or without Radar Detection), a U-NII device operating as a Master Device will be used to allow the UUT (Client device) to Associate with the Master Device. In case the UUT is a Master Device, a U-NII device operating as a Client Device will be used and it is assumed that the Client will Associate with the UUT (Master). In both cases for conducted tests, the Radar Waveform generator will be connected to the Master Device. For radiated tests, the emissions of the Radar Waveform generator will be directed towards the Master Device. If the Master Device has antenna gain, the main beam of the antenna will be directed toward the radar emitter. Vertical polarization is used for testing.

c) Stream the channel loading test file from the Master Device to the Client Device on the test Channel for the entire period of the test.

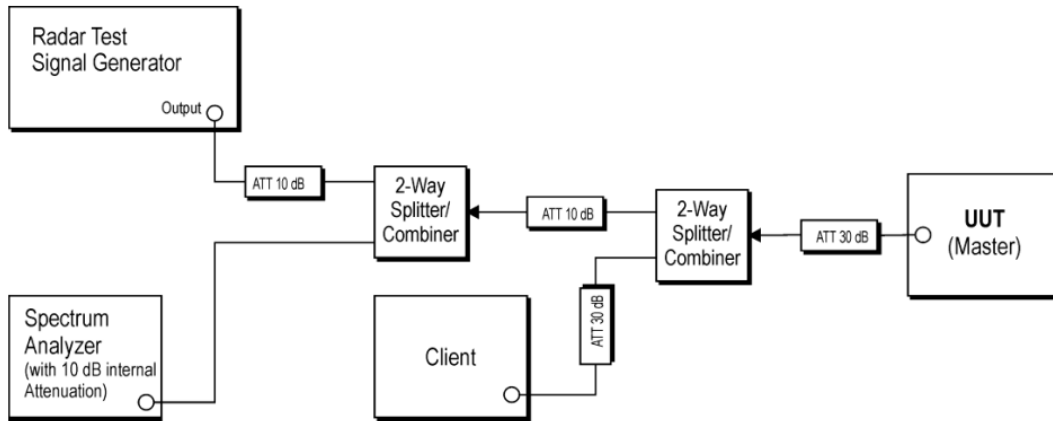
d) At time T0 the Radar Waveform generator sends the individual waveform for one type of the Radar Types in Tables 5-7, at levels defined in Table 3, on the Operating Channel. An additional 1 dB is added to the radar test signal to ensure it is at or above the DFS Detection Threshold,

accounting for equipment variations/errors.

e) Observe the transmissions of the UUT at the end of the Burst on the Operating Channel for duration greater than 10 seconds for Radar Type 0 to ensure detection occurs.

f) Observe the transmissions of the UUT at the end of the Burst on the Operating Channel for duration greater than 22 seconds for Long Pulse Radar Type 5 to ensure detection occurs.

9.3. Test setup



9.4. Test Result

Bandwidth [MHz]	Frequency [MHz]	Radar Type	Pass Times	Fail Times	Probability (%)	Limit (%)	Verdict
20	5320	Type1	30	0	100.00	60	PASS
40	5510	Type1	30	0	100.00	60	PASS
80	5530	Type1	30	0	100.00	60	PASS

Test Mode	Frequency [MHz]	Radar Type	Trial ID	Pulse width(μs)	PRI(μs)	Pulses per Burst	Detection (1: Yes; 0: No)
20 MHz	5320	Type1	0	1.0	938.0	57	1
		Type1	1	1.0	698.0	76	1
		Type1	2	1.0	618.0	86	1
		Type1	3	1.0	538.0	99	1
		Type1	4	1.0	878.0	61	1
		Type1	5	1.0	3066.0	18	1
		Type1	6	1.0	638.0	83	1
		Type1	7	1.0	918.0	58	1
		Type1	8	1.0	838.0	63	1
		Type1	9	1.0	858.0	62	1
		Type1	10	1.0	798.0	67	1
		Type1	11	1.0	718.0	74	1
		Type1	12	1.0	578.0	92	1
		Type1	13	1.0	598.0	89	1
		Type1	14	1.0	558.0	95	1
		Type1	15	1.0	2536.0	21	1
		Type1	16	1.0	966.0	55	1
		Type1	17	1.0	827.0	64	1
		Type1	18	1.0	2501.0	22	1
		Type1	19	1.0	2595.0	21	1
		Type1	20	1.0	1114.0	48	1
Type1	21	1.0	1302.0	41	1		

		Type1	22	1.0	3045.0	18	1
		Type1	23	1.0	1624.0	33	1
		Type1	24	1.0	2878.0	19	1
		Type1	25	1.0	1027.0	52	1
		Type1	26	1.0	2485.0	22	1
		Type1	27	1.0	1600.0	33	1
		Type1	28	1.0	1172.0	46	1
		Type1	29	1.0	1177.0	45	1
40MHz	5510	Type1	0	1.0	938.0	57	1
		Type1	1	1.0	698.0	76	1
		Type1	2	1.0	618.0	86	1
		Type1	3	1.0	538.0	99	1
		Type1	4	1.0	878.0	61	1
		Type1	5	1.0	3066.0	18	1
		Type1	6	1.0	638.0	83	1
		Type1	7	1.0	918.0	58	1
		Type1	8	1.0	838.0	63	1
		Type1	9	1.0	858.0	62	1
		Type1	10	1.0	798.0	67	1
		Type1	11	1.0	718.0	74	1
		Type1	12	1.0	578.0	92	1
		Type1	13	1.0	598.0	89	1
		Type1	14	1.0	558.0	95	1
		Type1	15	1.0	2536.0	21	1
		Type1	16	1.0	966.0	55	1
		Type1	17	1.0	827.0	64	1
		Type1	18	1.0	2501.0	22	1
		Type1	19	1.0	2595.0	21	1
		Type1	20	1.0	1114.0	48	1
		Type1	21	1.0	1302.0	41	1
		Type1	22	1.0	3045.0	18	1
		Type1	23	1.0	1624.0	33	1
		Type1	24	1.0	2878.0	19	1
		Type1	25	1.0	1027.0	52	1
		Type1	26	1.0	2485.0	22	1
		Type1	27	1.0	1600.0	33	1
		Type1	28	1.0	1172.0	46	1
Type1	29	1.0	1177.0	45	1		
80MHz	5530	Type1	0	1.0	938.0	57	1
		Type1	1	1.0	698.0	76	1
		Type1	2	1.0	618.0	86	1
		Type1	3	1.0	538.0	99	1
		Type1	4	1.0	878.0	61	1
		Type1	5	1.0	3066.0	18	1
		Type1	6	1.0	638.0	83	1
		Type1	7	1.0	918.0	58	1
		Type1	8	1.0	838.0	63	1
		Type1	9	1.0	858.0	62	1
		Type1	10	1.0	798.0	67	1
		Type1	11	1.0	718.0	74	1
		Type1	12	1.0	578.0	92	1
		Type1	13	1.0	598.0	89	1
		Type1	14	1.0	558.0	95	1
		Type1	15	1.0	2536.0	21	1
		Type1	16	1.0	966.0	55	1
		Type1	17	1.0	827.0	64	1
		Type1	18	1.0	2501.0	22	1
		Type1	19	1.0	2595.0	21	1
		Type1	20	1.0	1114.0	48	1
		Type1	21	1.0	1302.0	41	1
		Type1	22	1.0	3045.0	18	1
		Type1	23	1.0	1624.0	33	1
		Type1	24	1.0	2878.0	19	1
		Type1	25	1.0	1027.0	52	1

	Type1	26	1.0	2485.0	22	1
	Type1	27	1.0	1600.0	33	1
	Type1	28	1.0	1172.0	46	1
	Type1	29	1.0	1177.0	45	1