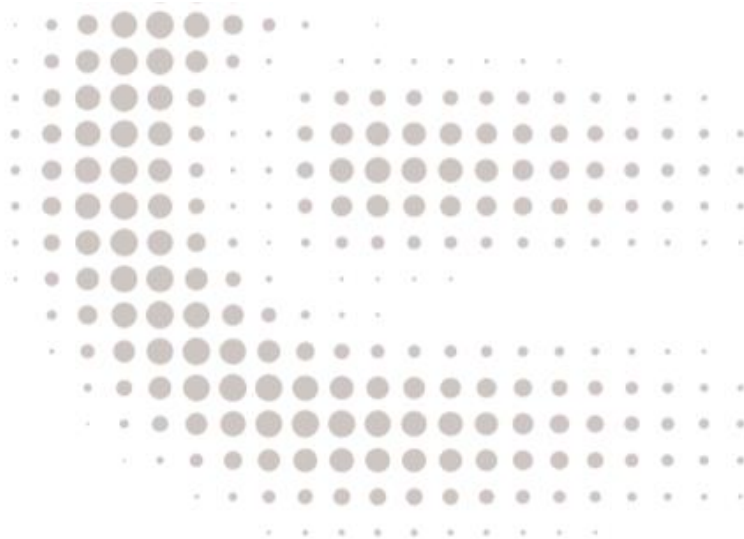


Ruijie | REYEE

RG-EW6000GX PRO User Manual



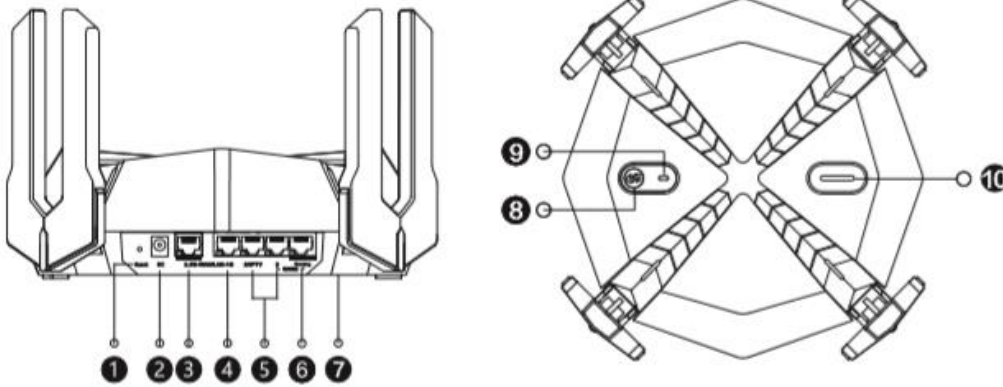
To better use the Ruijie device,
read this manual before Installation and usage,
and save the manual for future reference.

Contents

User Manual.....	5-8
------------------	-----

RG-EW6000GX PRO User Manual

RG-EW6000GX PRO Router



- ① Reset button
- ② Power socket
- ③ 2.5GE port (WAN/LAN)
- ④ 1GE port (WAN/LAN)
- ⑤ 1GE LAN port
- ⑥ E-sports port
- ⑦ Nameplate (at the bottom)
- ⑧ Rejee Mesh/Game turbo button

Status	Description
Press the button for less than 2 seconds	This device serves as the primary router, and starts mesh networking.
Press the button for more than 3 seconds	Enables or disables the game turbo function.

⑨ System LED

Status	Description
Off	The router is not receiving power.
Steady on	The router is functioning properly.
Slow blink	The router is not connected to a network or is paring with other devices for mesh networking.
Fast blink	The router is starting up.

⑩ Game turbo LED

Status	Description
Off	Game turbo is disabled.
Steady on	Game turbo is enabled.

Checking Package Contents

After opening the package, please check whether the router and all accessories are intact.

Router x1, power adapter x1, user manual x1, warranty card x1, and network cable x1.

Managing the Router

Method 1:

Scan the following QR code to download the Reyee Router app to manage the router. With Reyee Router app, you can check router connection status, modify SSID and password, and perform other operations anytime and anywhere.

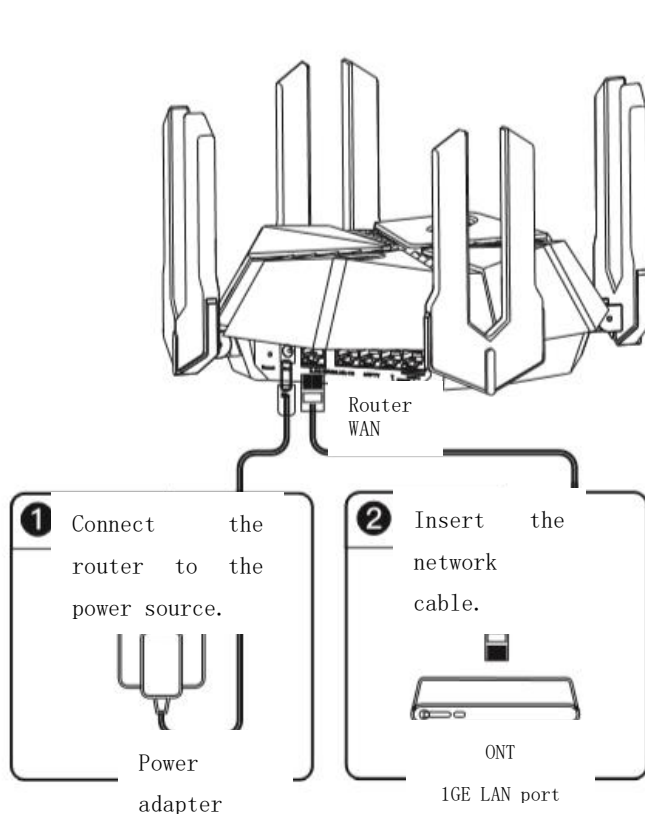


Download Reyee Router app

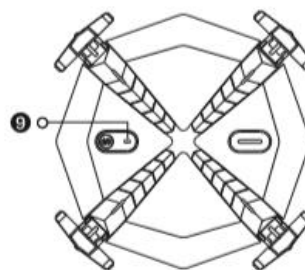
Method 2:

After you have connected the router to the default SSID broadcast by the router, enter "192.168.110.1" in the address bar of your browser to log in to the Eweb management system of the router to manage the router.

Setting Up One Router



9 System LED



3

After the system LED is steady on or blinks slowly, connect the router to the default SSID broadcast by the router:

@Ruijie-sXXXX. The configuration page will pop up. Then, complete the settings as prompted.

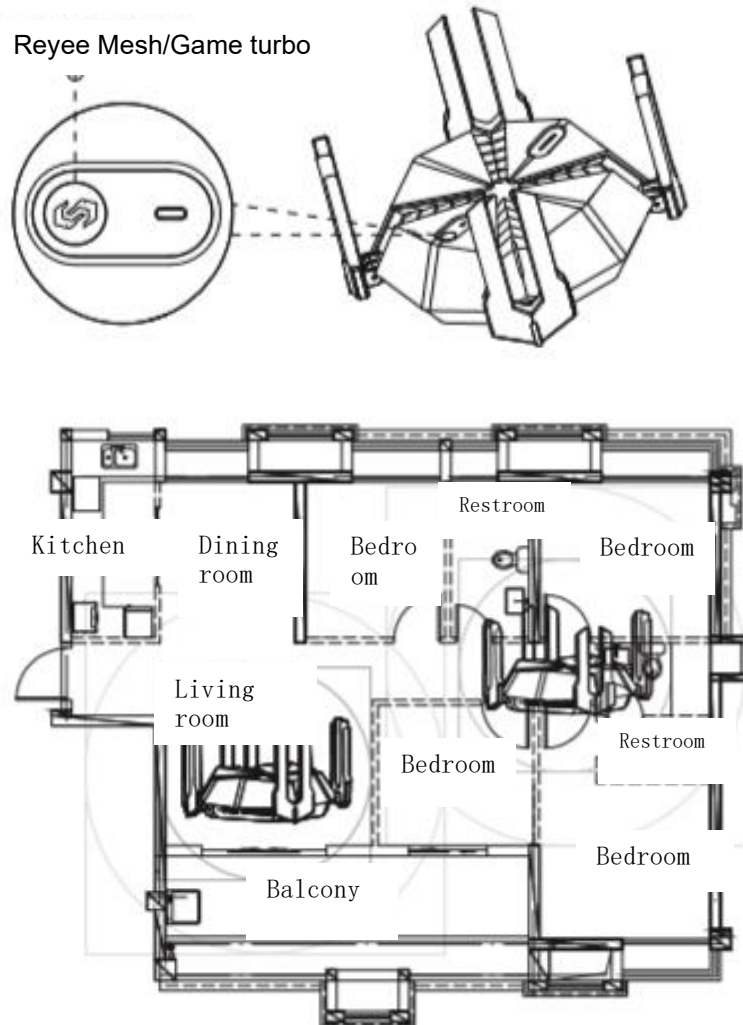
*If the configuration page does not pop up, you can log in to the Eweb management system of the router by entering 192.168.110.1 in the address bar of your browser, and then complete the settings as prompted.

Setting Up Multiple Routers for Wireless Reyee Mesh

Networking

1. Connect the first router to the Internet, and configure it as the primary router.

See the “Setting Up One Router” section above for the configuration steps.



2. Place the second router within 2 meters of the primary router, power it on and wait for it to start up.

After the system LED of the second router changes from fast blinking to slow blinking, the startup is complete.

•Ensure that the second router is in its factory settings. If the router has been configured before, press the Reset button for more than 10 seconds to restore the router to factory settings before proceeding to step 3.

3. Press the Reyee Mesh button on the primary router to complete the wireless Reyee Mesh networking in 2 minutes.

During wireless Reyee mesh networking, the system LEDs of the primary router and the secondary router will blink slowly. Wireless Reyee mesh networking is successful after the system LEDs of the primary router and the secondary router change from slow blinking to

steady on. The SSID and password of the secondary router are automatically synchronized with those of the primary router.

4. Place the secondary router in a location where the Wi-Fi signal needs to be extended, and power it on.

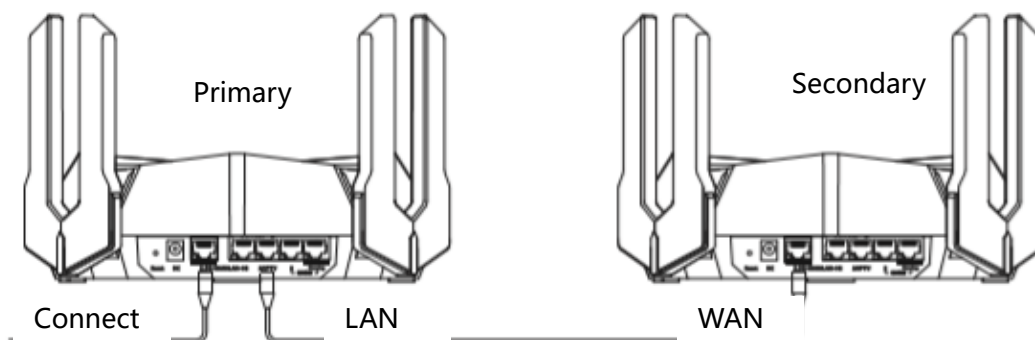
After the secondary router is powered on, there is no need to configure it. You can access the Internet after the system LED of the secondary router is steady on.

·If the system LED blinks slowly, please adjust the location of the secondary router to avoid excessive distance between the two routers or obstructions such as walls.

·If you have multiple routers, repeat steps 2 to 4 to connect them one by one. Up to six routers are supported for mesh networking, including one primary router and five secondary routers.

Setting Up Multiple Routers for Wired Reyee Mesh Networking

1. Connect the first router to the Internet, and configure it as the primary router.



2. Connect the WAN port (yellow) of the secondary router to the LAN port of the primary router with a network cable, power it on, and wait for the system LED of the secondary router to be steady on. Then, press the Reyee Mesh button on the primary router to complete wired Reyee Mesh networking. The SSID and password of the secondary router are automatically synchronized with those of the primary router.

·Ensure that the second router is in its factory settings. If the router has been configured before, press the Reset button for more than 10 seconds to restore the router to factory settings before proceeding to step 2.

FAQs

What should I do if I am unable to access the router's Eweb management system (192.168.110.1)?

- (1) Check whether your PC's NIC is set to "Obtain an IP address automatically".
- (2) Check whether your PC is connected to one of the LAN ports of the router, and has successfully obtained an IP address. If not, please replace the network cable.
- (3) Restart your browser (Google Chrome is recommended), and enter 192.168.110.1 in the address bar of your browser to try again.
- (4) Use a different browser.
- (5) Replace the network cable or use another PC.

If the issue persists after attempting the above steps, please restore the router to factory settings by pressing and holding the reset button for more than 10 seconds before releasing it.

Then, repeat the router setup process.

What should I do if I am unable to access the Internet after setting up my router?

(1) Check the network cable connection. Make sure that the network cable is connected properly as indicated in the “Setting Up One Router” section. Verify that the system LED is on to ensure proper connectivity.

(2) Check the “Internet access mode” on the router’s Internet connection settings page.

If your Internet service provider (ISP) has provided you with a broadband account password, then select “Dial-up” as the Internet access mode, and use the account and password for Internet access. If you have been provided with an IP address, subnet mask, gateway, and DNS server information from your ISP, then select “Static IP” for your Internet access mode, and enter the required parameters for Internet access.

If the issue persists after attempting the above steps, please contact your ISP.

What should I do if I forgot the management password of the router?

Enter the correct Wi-Fi password. If the issue persists, restore the router to factory settings.

How can I restore the router to factory settings?

Press and hold the reset button of the router with a needle-shaped object for more than 10 seconds, and then release the button after the system LED blinks fast. After the system LED of the router is steady on, and the router broadcast the SSID“@ Ruijie sXXXX”, the router is restored to factory settings.

Power Consumption

This router complies with European Commission (EC) Regulations No. 1275/2008 and No. 801/2013.

1. How to turn on or off Wi-Fi: Log in to the Eweb management system of the router, choose **More > Advanced > Wi-Fi Switch**, and click **Wi-Fi Switch** to turn Wi-Fi on or off.
2. Standby power: < 8 W
3. Default time for power management: This router enters the standby mode when there is no data transmission.
4. Unplug the power cord from the wall outlet if the router will not be used for an extended period of time.
5. For relevant information in the product manual, visit <https://www.ruijienetworks.com/products>.

Use only power supplies listed in the user instructions.

Power supply manufacturer: Chenzhou Frecom Electronics Co.. Ltd.

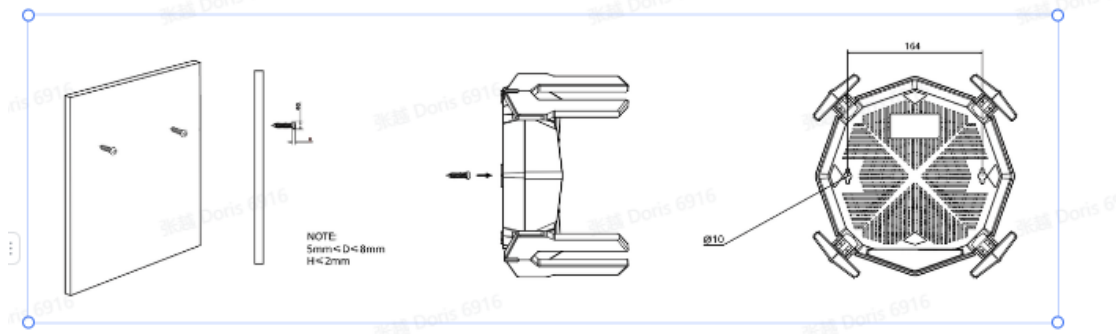
Model: F36L7-120300SPACP

Input: 100-240VAC, 50/60Hz, 0.9A

Output: 12VDC, 3.0A, 36.0W

Position Your Router

- Generally, the router is placed on a horizontal surface, such as on a shelf or desktop. The device also can be mounted on the wall as shown in the following figure.



Note:

The diameter of the screw head, $6\text{mm} < D < 8\text{mm}$, Screw head thickness $\leq 2\text{mm}$, and the distance of two screws is 164mm. The screw that project from the wall need around 5mm based, and the length of the screw need to be at least 20mm to withstand the weight of the product.

Safety Information

- Do not use your device if using the device is prohibited. Do not use the device if doing so causes danger or interference with other electronic devices.
- Do not attempt to disassemble, repair, or modify the device. If you need service, please contact us.
- Avoid dusty, damp, or dirty environments. Avoid magnetic fields. Using the device in these environments may result in circuit malfunctions.
- Please carefully check the ideal operating temperature and storage temperature on the user guide. Extreme heat or cold may damage your device or accessories.
- The device should be installed and operated with a minimum distance of 20 cm between the radiator and your body.
- Using an unapproved or incompatible power adapter, charger, power cord, cable or battery may damage your device, shorten its lifespan, or cause a fire, explosion, or other hazards.
- For pluggable devices, the socket-outlet shall be installed near the devices and shall be easily accessible.
- Adapter shall be installed near the equipment and shall be easily accessible.
- Do not touch the device or the charger with wet hands. Doing so may lead to short circuits, malfunctions, or electric shocks.
- If the product or external adapter includes one three-pole AC inlet, then plug the product into the wall outlets with earthing connection through the power supply cord which provided by the manufacturer.
- Do not block any ventilation openings. Install this apparatus in accordance with the manufacturer's instructions.
- Do not install this apparatus near any heat sources such as radiators, heat registers, stoves or other apparatus (including amplifiers) that produce heat.
- Protect the power cord from being walked on or pinched, particularly at plugs, convenience receptacles and the point where they exit from the apparatus.
- Users should only use power adaptors, attachments, accessories supplied or specified by the manufacturer.
- Use only with the cart, stand, tripod, bracket or table specified by the manufacturer or sold with the apparatus. When a cart is used, use caution when moving the cart/apparatus combination to avoid injury from tip-over.

FCC Compliance Statements

This device complies with Part 15 of the FCC Rules. Operation is subject to the following two conditions: (1) this device may not cause harmful interference, and (2) this device must accept any interference received, including interference that may cause undesired operation.

Note: This equipment has been tested and found to comply with the limits for a Class B digital device, pursuant to Part 15 of the FCC Rules. These limits are designed to provide reasonable protection against harmful interference in a residential installation. This equipment generates, uses and can radiate radio frequency energy and, if not installed and used in accordance with the instructions, may cause harmful interference to radio communications. However, there is no guarantee that interference will not occur in a particular installation.

If this equipment does cause harmful interference to radio or television reception, which can be determined by turning the equipment off and on, the user is encouraged to try to correct the interference by one or more of the following measures:

- Reorient or relocate the receiving antenna.
- Increase the separation between the equipment and receiver.
- Connect the equipment into an outlet on a circuit different from that to which the receiver is connected.
- Consult the dealer or an experienced radio/TV technician for help.

Caution: Changes or modifications not expressly approved by the party responsible for compliance could void the user's authority to operate the equipment.

FCC Radiation Exposure statement

This equipment complies with FCC radiation exposure limits set forth for an uncontrolled environment. This equipment should be installed and operated with minimum distance 20cm between the radiator and your body.

ISED Compliance Statements

This device contains licence-exempt transmitter(s)/receiver(s) that comply with Innovation, Science and Economic Development Canada's licence-exempt RSS(s). Operation is subject to the following two conditions: (1) This device may not cause interference. (2) This device must accept any interference, including interference that may cause undesired operation of the device.

L'émetteur/récepteur exempt de licence contenu dans le présent appareil est conforme aux CNR d'Innovation, Sciences et Développement économique Canada applicables aux appareils radio exempts de licence. L'exploitation est autorisée aux deux conditions suivantes : (1) L'appareil ne doit pas produire de brouillage; (2) L'appareil doit accepter tout brouillage radioélectrique subi, même si le brouillage est susceptible d'en compromettre le fonctionnement.

ISED Radiation Exposure statement

This equipment complies with IC RSS-102 radiation exposure limits set forth for an uncontrolled environment. This equipment should be installed and operated with minimum distance 20 cm between the radiator and your body.

Cet équipement est conforme aux limites d'exposition aux radiations IC CNR-102 établies pour un environnement non contrôlé. Cet équipement doit être installé et utilisé avec une distance minimale de 20 cm entre le radiateur et votre corps.

5G Statement

The user manual for LE-LAN devices shall contain instructions related to the restrictions mentioned in the above sections, namely that:

- a) the device for operation in the band 5150-5250 MHz is only for indoor use to reduce the potential for harmful interference to co-channel mobile satellite systems;
- a) les dispositifs fonctionnant dans la bande 5150-5250 MHz sont réservés uniquement pour une utilisation à l'intérieur afin de réduire les risques de brouillage préjudiciable aux systèmes de satellites mobiles utilisant les mêmes canaux;