

# volkano

Mini Mamba Series

## Bluetooth speaker



### INSTRUCTION MANUAL

Please read and retain these instructions for future reference.



#### HIGHLIGHTS

- Bluetooth®
- True Wireless Pairing
- FM Radio
- Aux Input
- USB Input
- Micro SD Card Input
- 12 W Peak Power
- Up to 4 Hours Playtime

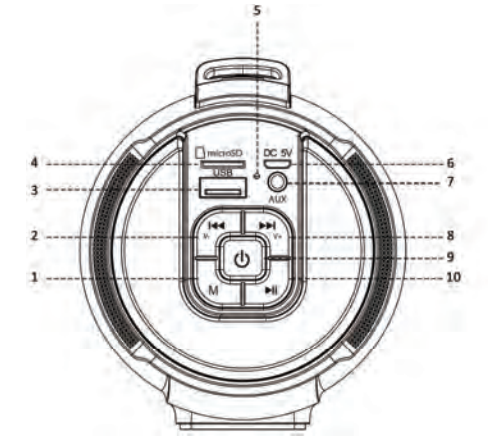
#### PACKAGE CONTENTS

- Volkano Mini Mamba Series Bluetooth® Speaker
- Micro USB Charging Cable
- Aux Cable
- Instruction Manual
- Carry Strap

#### SPECIFICATIONS

- Bluetooth®
  - Version: 5.0
  - Chipset: JL
  - Profiles: A2DP / AVRCP
  - Distance: Up to 33 ft / 10 m
- Sensitivity: 86 dB
- Signal to Noise Ratio: 65 dB
- Driver: 2.5"
- Impedance: 4Ω
- Frequency Response: 120 Hz – 12 kHz
- Total Power Output: 8 W RMS / 12 W Peak
- Charge Input: DC 5 V, 1 A
- Battery Capacity: 1 500 mAh, Lithium Rechargeable Battery
- Charge Time: 4 Hours
- Playback Time: 2 – 4 Hours
- Product Size: 249 X 90 X 104 mm
- Max Size for SD Card Input: 32 GB
- Max Size for USB Input: 32 GB

#### IDENTIFYING PARTS



1. **M** Mode Button
2. **V-** / **◀◀** Previous Track / Volume Down Button
3. USB Input
4. Micro SD Card Input
5. LED Indicator
6. Micro USB Charge Input
7. Aux Input
8. **▶▶** / **V+** Next Track / Volume Up Button
9. **⏻** Power Button
10. **▶** Play / Pause and FM Auto Scan

#### CHARGING

- Please fully charge the Volkano Mini Mamba Series Bluetooth® Speaker before using it for the first time.
- Connect the USB A end of the charging cable to a USB charging port and insert the micro USB end to the port on the speaker. Make sure it is properly connected.
- The red indicator light will be lit while the speaker is charging. When the battery is full, the red indicator light will switch off automatically.
- Please do not charge the speaker for more than 8 hours.

#### PAIRING WITH BLUETOOTH® DEVICES

Your speaker must be paired to a Bluetooth® device before it can be used. It is only necessary to pair your speaker once with each device.

1. Press and hold the **⏻** Power Button for about 3 seconds until the blue LED light turns on and starts flashing.
2. Cycle to Bluetooth® mode by pressing the **M** Mode Button, the speaker will beep twice, this means that the speaker is ready to pair with your Bluetooth® playback device.

#### Pairing a second Mini Mamba Speaker / Daisy Chaining:

3. The Volkano Mini Mamba Speakers needs to pair to each other before connecting to your Bluetooth® device.
4. Once the speakers are in Bluetooth® Mode press and hold the **▶** Play / Pause and FM Auto Scan Button for 3 seconds on one of your speakers, this will pair your two speakers together, a connection tone will be audible once both speakers are paired. It is only necessary to pair your speakers with each other once.
5. Activate the Bluetooth® on your playback device and search for "Mini Mamba". Select "Mini Mamba" from the device's list to connect. You will hear a connection tone after the speaker has been paired successfully and the Bluetooth® LED will start flashing slower.
6. You can now playback audio through the speaker.
7. Music tracks can be selected either on the speaker or on your playback device (smartphone, computer, tablet etc.). Press the **▶▶** / **V+** Next Track / Volume Up Button to skip to the next song. Press the **V-** / **◀◀** Previous Track / Volume Down Button to play the previous song.

8. Volume can be controlled either on the speaker or on your playback device (smartphone, computer, tablet etc.). Press and hold the **▶▶** / **V+** Next Track / Volume Up Button or the **V-** / **◀◀** Previous Track / Volume Down Button on the speaker to adjust the volume as preferred.
9. Press the **▶** Button on the speaker to play or stop music.

#### CONTROLS

##### 1. Controls

Function	Operation
<b>Increase Volume</b>	Long press the <b>▶▶</b> / <b>V+</b> Next Song / Next Station / Volume Up Button
<b>Decrease Volume</b>	Long press the <b>V-</b> / <b>◀◀</b> Previous Song / Previous Station / Volume Down Button
<b>Next Track</b>	Short press the <b>▶▶</b> / <b>V+</b> Next Song / Next Station / Volume Up Button
<b>Previous Track</b>	Short press the <b>V-</b> / <b>◀◀</b> Previous Song / Previous Station / Volume Down Button
<b>Play / Pause Track</b>	Short press the <b>▶</b> Play / Pause and FM Auto Scan Button

To navigate between the USB, Micro SD, Bluetooth® and Aux Modes short press the **M** Mode Button.

##### 2. Bluetooth®, USB and SD Card Mode

Function	Operation
<b>Increase Volume</b>	Long press the <b>▶▶</b> / <b>V+</b> Next Song / Next Station / Volume Up Button
<b>Decrease Volume</b>	Long press the <b>V-</b> / <b>◀◀</b> Previous Song / Previous Station / Volume Down Button
<b>Next Track</b>	Short press the <b>▶▶</b> / <b>V+</b> Next Song / Next Station / Volume Up Button
<b>Previous Track</b>	Short press the <b>V-</b> / <b>◀◀</b> Previous Song / Previous Station / Volume Down Button
<b>Play / Pause Track</b>	Short press the <b>▶</b> Play / Pause and FM Auto Scan Button

**Note:** Increase and Decrease Volume Buttons can work in Aux Input Mode

##### 3. FM Radio

Function	Operation
<b>Increase Volume</b>	Long press the <b>▶▶</b> / <b>V+</b> Next Song / Next Station / Volume Up Button
<b>Decrease Volume</b>	Long press the <b>V-</b> / <b>◀◀</b> Previous Song / Previous Station / Volume Down Button
<b>Navigate up through saved channels</b>	Short press the <b>▶▶</b> / <b>V+</b> Next Song / Next Station / Volume Up Button
<b>Navigate down through saved channels</b>	Short press the <b>V-</b> / <b>◀◀</b> Previous Song / Previous Station / Volume Down Button
<b>Automatic Station Scan</b>	Short press the <b>▶</b> Play / Pause and FM Auto Scan Button

## PLAYING MP3'S FROM A USB FLASH DRIVE OR SD CARD

1. Switch the power on.
2. Insert USB flash disk or SD card into the slot. The music stored will be played automatically.
3. Press the **▶▶ / V+** Next Track / Volume Up Button to skip to the next song. Press the **V- / ◀◀** Previous Track / Volume Down Button to play the previous song.
4. Press and hold the **▶▶ / V+** Next Track / Volume Up Button or the **V- / ◀◀** Previous Track / Volume Down Button on the speaker to adjust the volume as preferred.
5. Press the **⏸** Play / Pause and FM Auto Scan Button to play or pause the music.

**Note:** In Bluetooth® mode, inserting a USB flash disk will disconnect the Bluetooth® and switch to playing from the USB flash disk. Press the **M** Mode Button to switch back to Bluetooth® mode.

## AUX-IN

1. Press **M** Mode Button to cycle the speaker to Aux mode.
2. Plug the provided audio cable into the compatible device's Aux input and then into the Aux input of the speaker.

## FM RADIO MODE

1. Use the provided audio cable as an antenna to receive a good FM radio signal.
2. Once the device has been turned on, press the **M** Mode Button to cycle to FM radio mode.
3. Press the **⏸** Play / Pause and FM Auto Scan Button to search for all available FM channels and store them automatically.
4. To navigate between radio stations, press the **▶▶ / V+** Next Track / Volume Up Button or the **V- / ◀◀** Previous Track / Volume Down Button to select radio stations.

**Note:** Inserting the audio cable while the speaker is in FM mode, will cause the speaker to automatically switch to Aux mode. Pressing the **M** Mode Button again will cycle back to FM mode.

## LOCATING THE BLUETOOTH MENU

### iPhone, iPad, and iPod Touch:

- a) On your device, go to Settings.
- b) Select Bluetooth®. If Bluetooth® is not on, turn it on.
- c) The iPhone / iPad / iPod will automatically search for new devices.

### Android Phones and Tablets:

- a) On your device, go to the Settings Menu.
- b) Select Bluetooth® (on older Android devices Bluetooth® is found in the Wireless and Networks Menu). If Bluetooth® is not on, turn it on.
- c) Select "Search for Devices" if your phone or tablet does not automatically search for new devices.

**NOTE:** If you are unsure on how to access your Bluetooth® Menu on your device, please refer to your device's instruction manual.

## TROUBLESHOOTING

1. **My smartphone cannot find any new Bluetooth® devices?**
  - a. Ensure the device has entered the pairing mode.
  - b. Ensure the device is within an effective working range.
2. **Bluetooth® device cannot pair up?**

Ensure your mobile phone allows new connections and has not reached the maximum number of allowed devices.
3. **The device does not play music when it is connected to a Bluetooth® mobile phone.**
  - a. Ensure your mobile phone supports A2DP profiles.
  - b. Ensure your mobile phone is within an effective working range.
4. **When paired with my computer, Windows asks for a new driver. Can you supply this?**

We recommend you find compatible drivers for your computer online.
5. **Why can I not remotely control the Pause / Play / Previous / Next functions when music is playing?**

This feature needs the Bluetooth® device paired with the speaker to support AVRCP (Audio / Video Remote Control Profile). Please ensure your device supports this.

## SAFETY PRECAUTION



- To reduce the risk of fire or electric shock, do not expose this equipment to rain or moisture.
- To reduce the risk of fire or electric shock, keep this equipment away from all liquids. Use and store only in locations which are not exposed to the risk of dripping or splashing liquids, and do not place any liquid containers on top of the equipment.

This product is not intended for commercial use and has been tested for household use only.

- This product is not intended for use by small children, or persons with diminished mental capabilities. Ensure that use of this product is monitored by a guardian or parent.
- **CAUTION:** Do not remove the panel covers by unscrewing them. To reduce the risk of electric shock, do not remove the cover. No user-serviceable parts inside. Refer servicing to qualified service personnel.
- **DO NOT** use any accessories, plugs or power supplies not recommended by this document, or of a lesser Amperage or Voltage.
- **CAUTION:** To reduce the risk of fire or electric shock and annoying interference, use the recommended accessories only.
- **CAUTION:** In order to maintain adequate ventilation, do not install or place this unit in a bookcase, built-in cabinet or any other confined space. To prevent risk of electric shock or fire hazard due to overheating, ensure that curtains and any other materials do not obstruct the ventilation.
- **CAUTION:** Do not lift, move or otherwise transport the device by pulling on the cables. Always lift your device by the Carry Strap and with a firm grip.
- **WARNING:** Always keep optional accessories, small parts and packaging out of the reach of babies and small children, as these items may be a choking hazard.
- **Servicing:** Do not attempt to service this unit yourself as opening or removing the covers may expose you to dangerous voltage or other hazards. Refer all servicing to qualified service personnel.
- **DO NOT** overcharge your Volcano Mini Mamba Series Speaker, doing so will shorten the lifespan of the built-in battery and could cause your device to overheat.
- **CAUTION:** Do not disassemble the battery or dispose of it in fire.
- **CAUTION:** Should your battery show signs of overheating, smoke or fumes being emitted during charging, remove the charging cable immediately. Prevent battery leakage from contacting your eyes, skin or clothing. Should this happen, flush the area with clean water and see a doctor immediately.

## CLEANING & CARING INSTRUCTION - GENERAL

- Before Cleaning: Ensure that your Volcano Mini Mamba Series Speaker is turned off and not plugged into any Wall Charger / USB Charging Cable before cleaning or maintaining your device.
- Cleaning: Wipe down the surface of your Volcano Mini Mamba Series Speaker using a soft, slightly damp cloth.
- Do not use any harsh or abrasive cleaning chemicals or materials on your Volcano Mini Mamba Series Speaker as doing so may damage or scratch the surface finish.
- Do not expose Volcano Mini Mamba Series Speaker to direct sunlight or high temperatures for extended periods of time.
- Do not store in temperatures over 60°C. Do not expose the battery to excessive heat such as sunshine, fire or the like. Store in a cool, dry place.
- **DO NOT** submerge or expose your Mini Mamba Series Speaker or any parts, including the cables, power supply or inner workings in or to water.
- **DO NOT** drag your Volcano Mini Mamba Series Speaker across the floor. Doing so may damage the base of the unit or the surface you are pulling your device across.

## DISCLAIMER

The Bluetooth® word mark and logos are registered trademarks owned by Bluetooth® SIG, Inc. and any use of such marks by Volcano is under license. Other trademarks and trade names are those of their respective owners.

All product and company names are trademarks™ or registered® trademarks of their respective holders. The use of them does not imply any affiliation with or endorsement by them.

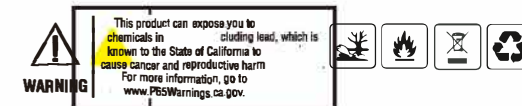
## ENVIRONMENTALLY FRIENDLY DISPOSAL

IMPORTANT INFORMATION FOR CORRECT DISPOSAL OF THE PRODUCT IN ACCORDANCE WITH THE EUROPEAN DIRECTIVE ON WASTE ELECTRICAL AND ELECTRONIC EQUIPMENT.

- At the end of its working life, the product must not be disposed of as urban waste. It must be taken to a special local authority differentiated waste collection center or to a dealer providing this service. Disposing of a household appliance separately avoids possible negative consequences for the environment and health deriving from inappropriate disposal and enables the constituent materials to be recovered to obtain significant savings in energy and resources. As a reminder of the need to dispose of household appliances separately, the product is marked with a crossed-out wheeled dustbin.

\* Never dispose of used electronics with ordinary solid wastes, since they contain toxic substances.

\* Always dispose of used electronics in accordance with the prevailing community regulations that apply to the disposal of electronics. If there are no local regulations concerning electronics disposal, please dispose of the device in a waste bin for electronic devices.



## WARRANTY

This Volcano Mini Mamba Series Bluetooth Speaker comes with a standard 12-month limited warranty against manufacturing defects and faults. Should your Volcano Mini Mamba Series be unboxed with any faulty parts, poor finishing or visible damage, or fail to perform due to a manufacturing defect or poor workmanship, please return it with your proof of purchase (bill slip or invoice) to the store of purchase for an exchange, or repair, depending on the store's returns policy.

This warranty commences from the date of purchase.

Kindly retain your proof of purchase as well as the packaging for your warranty period.

**Note:** The Warranty does not apply to Product that:

1. Has failed due to excessive wear and tear beyond what is considered to be reasonable.

2. Has been misused or neglected.
3. Has been damaged accidentally or by Force Majeure including fire and flooding.
4. Has been used or operated contrary to operating or maintenance instructions outlined in this manual.

The Store of Purchase / Seller cannot accept any returned products that have not been returned in accordance with this warranty or which does not follow their own Returns Policy. Please refer to the Store of Purchase / Sellers Returns Policy for details.

Should you require any further assistance, please contact the store of purchase.

Warning: Changes or modifications to this unit not expressly approved by the party responsible for compliance could void the user's authority to operate the equipment.

NOTE: This device complies with part 15 of the FCC Rules. Operation is subject to the following two conditions: (1) This device may not cause harmful interference, and (2) this device must accept any interference received, including interference that may cause undesired operation.

FCC Statement: This equipment has been tested and found to comply with the limits for a Class B digital device, pursuant to part 15 of the FCC Rules. These limits are designed to provide reasonable protection against harmful interference in a residential installation. This equipment generates, uses and can radiate radio frequency energy and, if not installed and used in accordance with the instructions, may cause harmful interference to radio communications. However, there is no guarantee that interference will not occur in a particular installation. If this equipment does cause harmful interference to radio or television reception, which can be determined by turning the equipment off and on, the user is encouraged to try to correct the interference by one or more of the following measures:  
—Reorient or relocate the receiving antenna.  
—Increase the separation between the equipment and receiver.  
—Connect the equipment into an outlet on a circuit different from that to which the receiver is connected.  
—Consult the dealer or an experienced radio/TV technician for help.