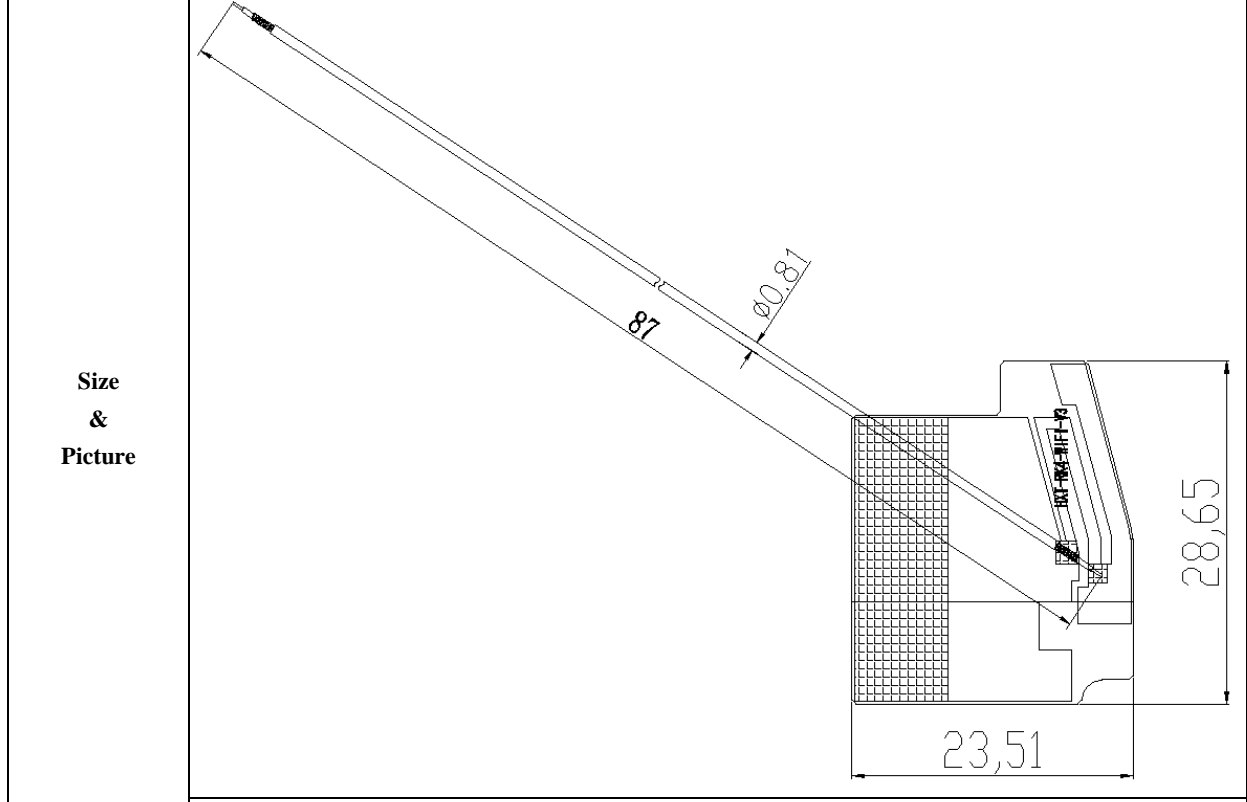


Technical Specification

Antenna Mode	RK4	Manufactured	SHENZHEN HENGXIANGTONG ANTENNA TECHNOLOGY CO., LTD.
---------------------	-----	---------------------	---

Address	606, Building E, Enterprise Aviation Technology Innovation Research and Development Industrial Park, No. 1008, Songbai Road, Sunshine Community, Xili Street, Nanshan District, Shenzhen
----------------	--

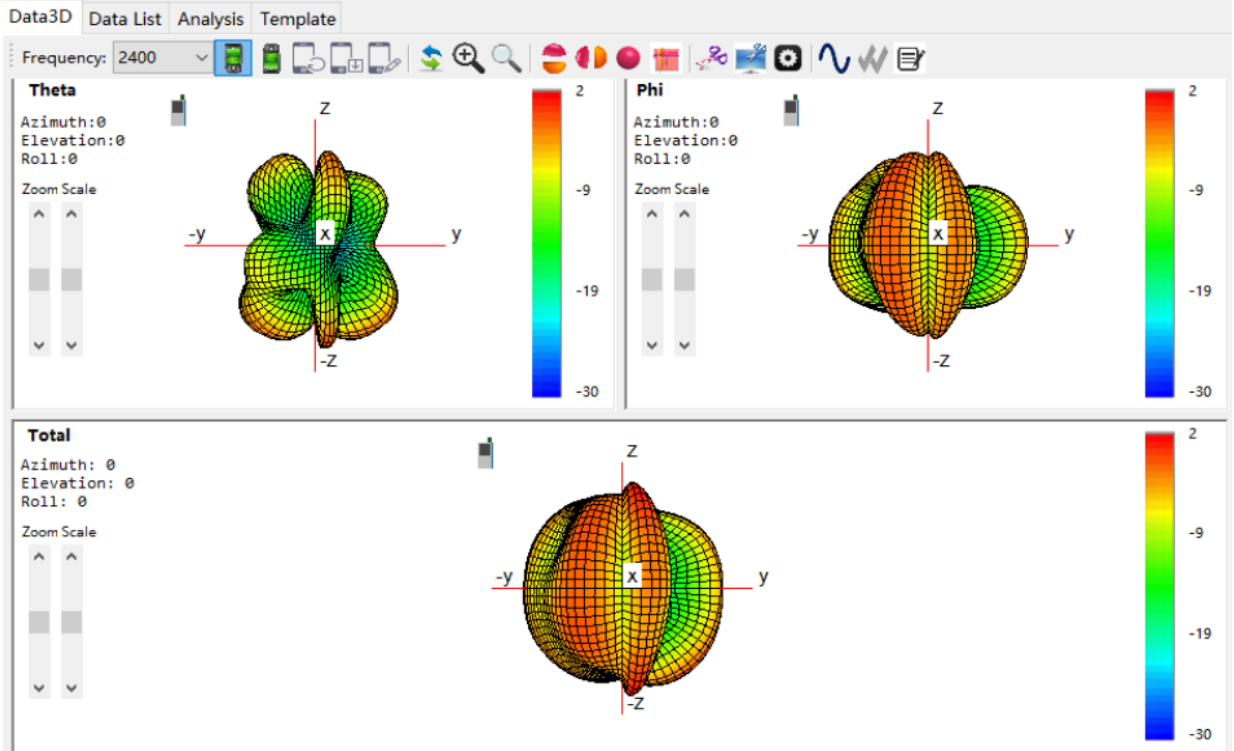


Technical Specification

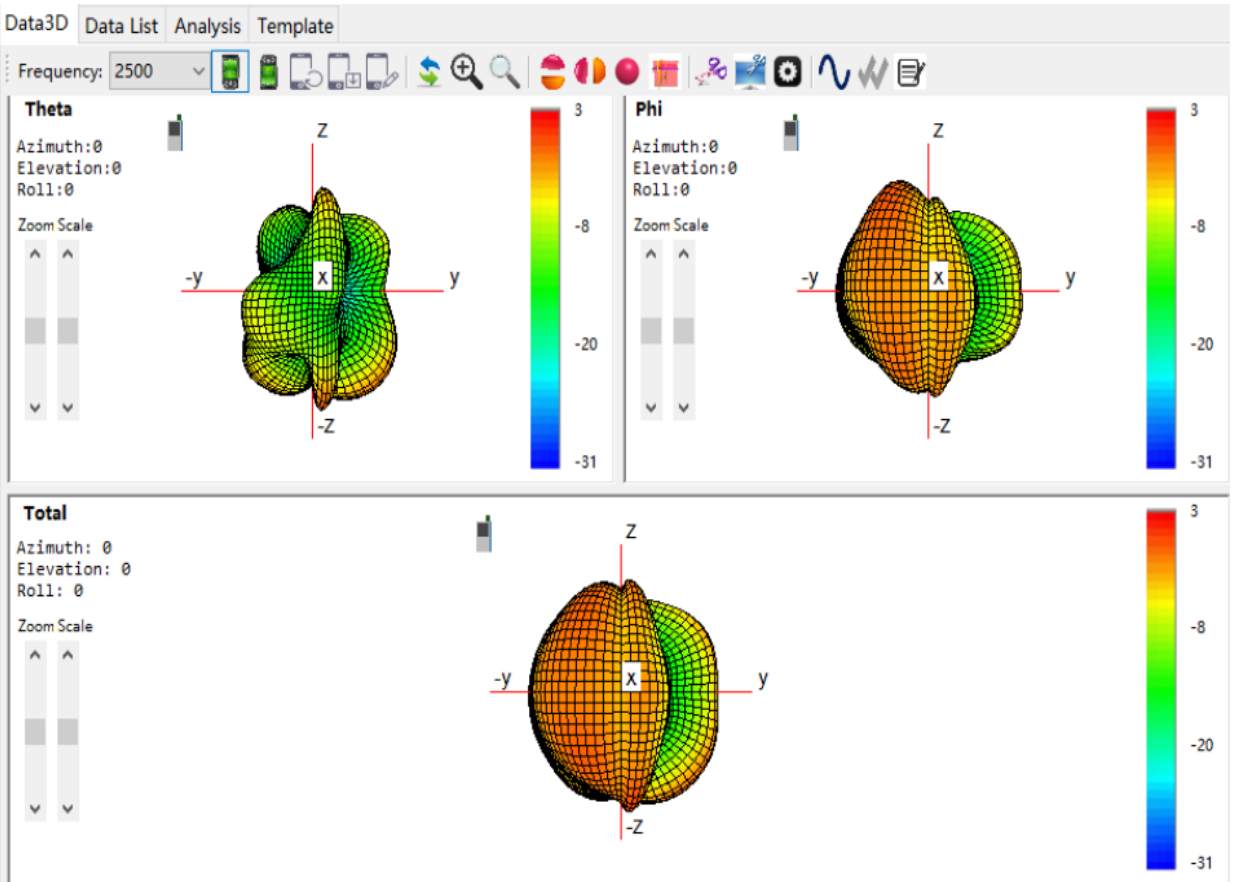
	Band	Mode	Name	Frequency	Antenna Type	Antenna Max Gain	
WiFi	<input checked="" type="checkbox"/> 802.11b/g/n	2.4GHz	Wi-Fi 4	2401-2495	PIFA	1.5	dBi
	<input type="checkbox"/> 802.11a/n/ac/ax	5GHz	Wi-Fi 5/6	4910-5895			
BT	<input checked="" type="checkbox"/> Bluetooth			2400-2500	PIFA	1.5	dBi

Technical Specification

G/W/B 3-D Patten Plots



W/B: 2400Mhz



W/B: 2500Mhz