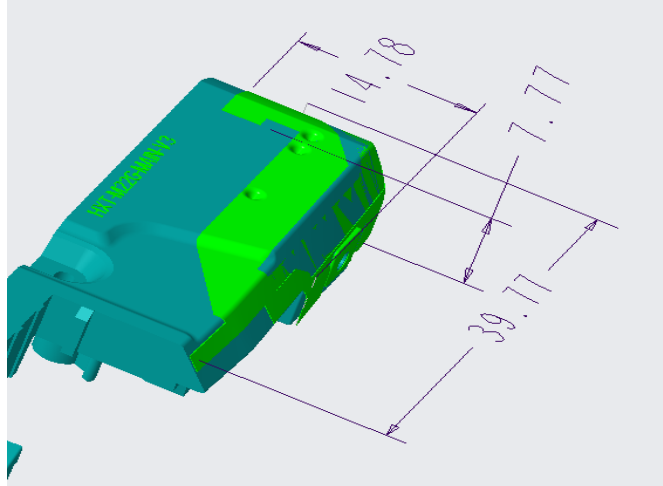


# Technical Specification

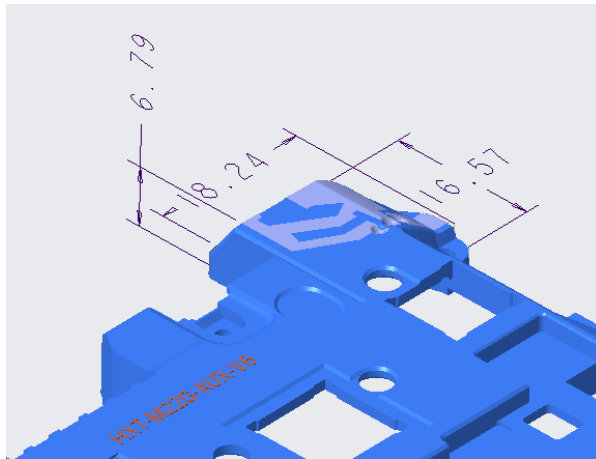
<b>Antenna Mode</b>	M22G	<b>Manufactured</b>	SHENZHEN HENGXIANGTONG ANTENNA TECHNOLOGY CO., LTD.
---------------------	------	---------------------	---

<b>Address</b>	606, Building E, Enterprise Aviation Technology Innovation Research and Development Industrial Park, No. 1008, Songbai Road, Sunshine Community, Xili Street, Nanshan District, Shenzhen		
----------------	--	--	--

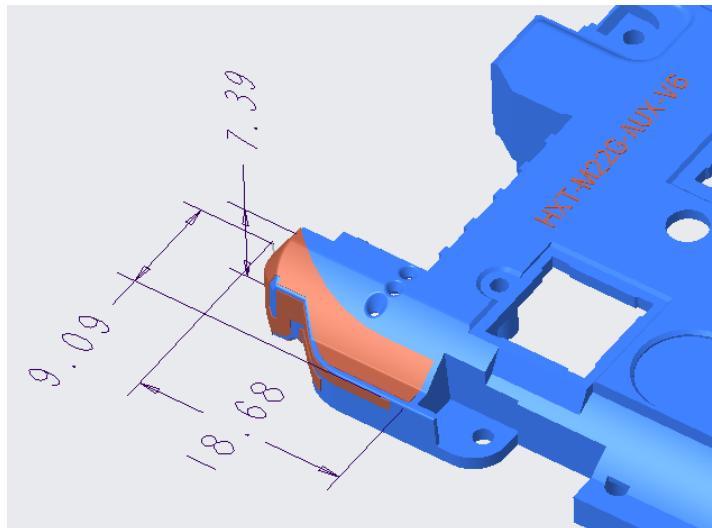
**Size  
&  
Picture**



GSM/WDMA/LTE Main: PIFA 39.77mm\*14.78mm\*7.77mm



GSM/WDMA/LTE DRX: PIFA 18.24mm\*16.57mm\*6.79mm



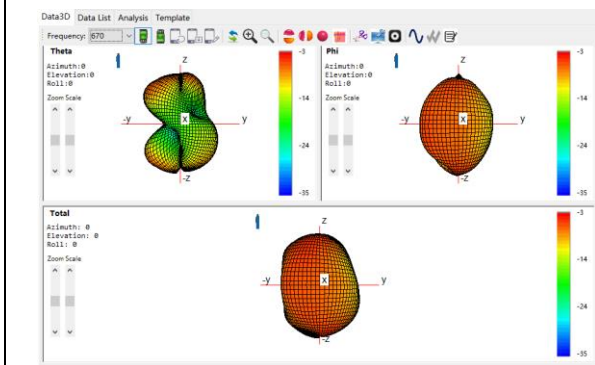
G/W/B: PIFA 18.68mm\*9.09mm\*7.39mm

## Technical Specification

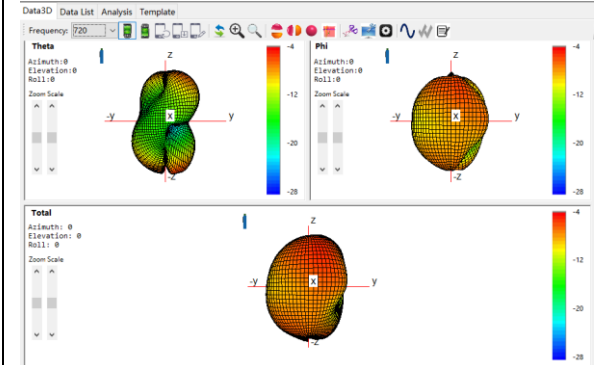
Band		Frequency	Antenna Type	Antenna Max Gain	
<b>GSM Band</b>	<input checked="" type="checkbox"/> Band-5 GSM 850	824-894	PIFA	-2.7	dBi
	<input checked="" type="checkbox"/> Band-2 PCS 1900	1850-1990		1.8	
<b>UMTS Band</b>	<input checked="" type="checkbox"/> Band-2 1900	1850-1990	PIFA	1.8	dBi
	<input checked="" type="checkbox"/> Band-4	1710-1755 2110-2155		1	
	<input checked="" type="checkbox"/> Band-5 850	824-894		-2.7	
<b>LTE Band</b>	<input checked="" type="checkbox"/> Band-2 1900	1850-1990	PIFA	1.8	dBi
	<input checked="" type="checkbox"/> Band-4	1710-1755 2110-2155		1	
	<input checked="" type="checkbox"/> Band-5 850	824-894		-2.7	
	<input checked="" type="checkbox"/> Band-7 2600	2500-2690		0.4	
	<input checked="" type="checkbox"/> Band-25 1850	1850-1995		1.8	
	<input checked="" type="checkbox"/> Band-26 800	841-894		-2.7	
	<input checked="" type="checkbox"/> Band-38 2600	2570-2620		0.4	
	<input checked="" type="checkbox"/> Band-41 2500	2496-2690		0.4	
	<input checked="" type="checkbox"/> Band-66	1710-1780 2110-2200		1	
<b>WiFi</b>	<input checked="" type="checkbox"/> 802.11b/g/n	2401-2495	PIFA	-3.5	dBi
	<input checked="" type="checkbox"/> 802.11a/n/ac/ax	4910-5895		1.4	
<b>BT</b>	<input checked="" type="checkbox"/> Bluetooth	2400-2500	PIFA	-3.5	dBi

# Technical Specification

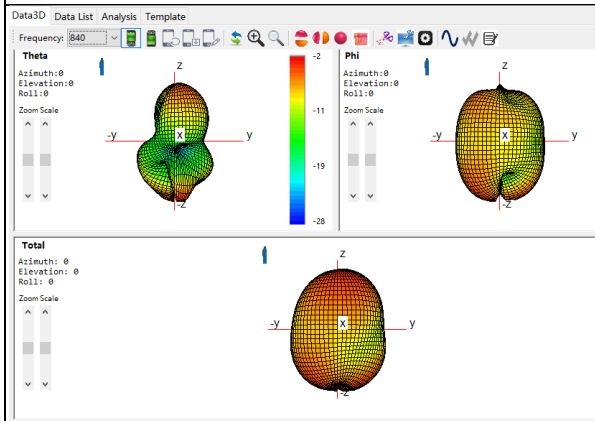
## Main 3-D Patten Plots



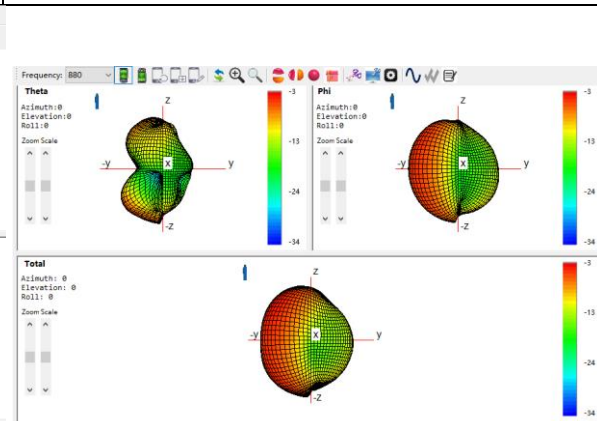
Main: 670Mhz



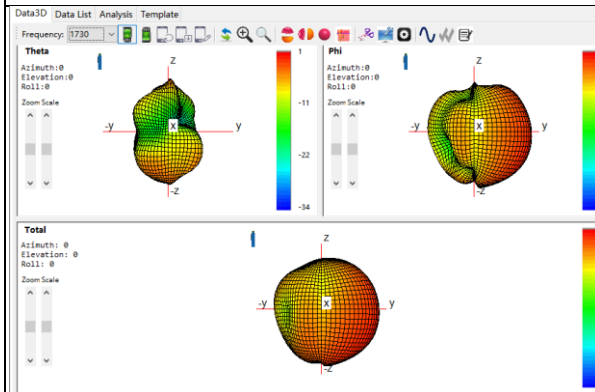
Main: 720Mhz



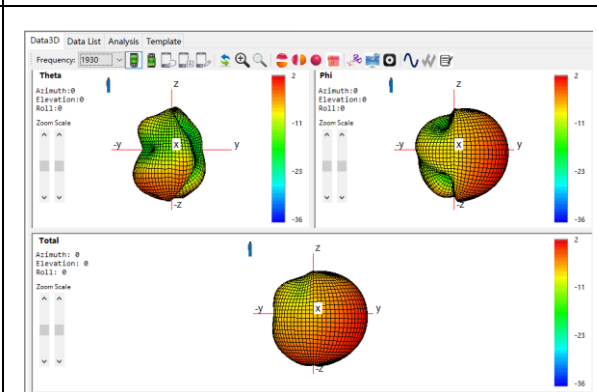
Main:840Mhz



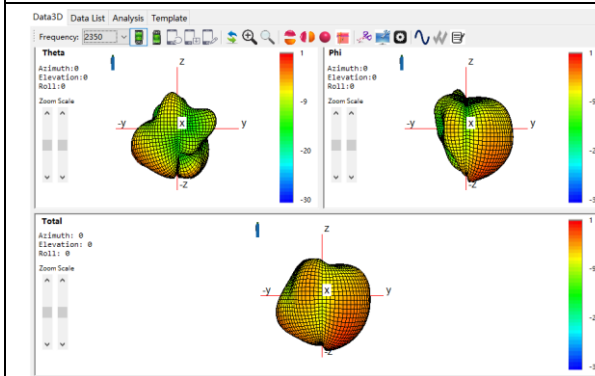
Main: 880Mhz



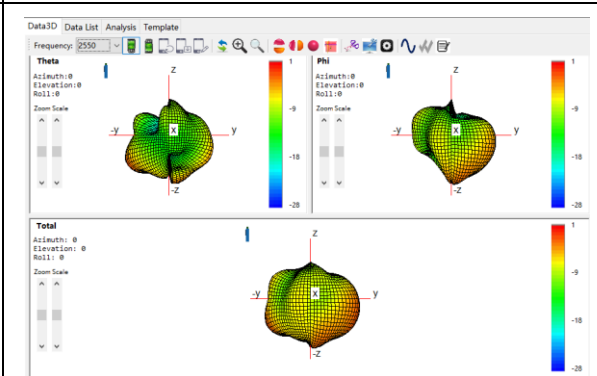
Main: 1730Mhz



Main: 1930Mhz



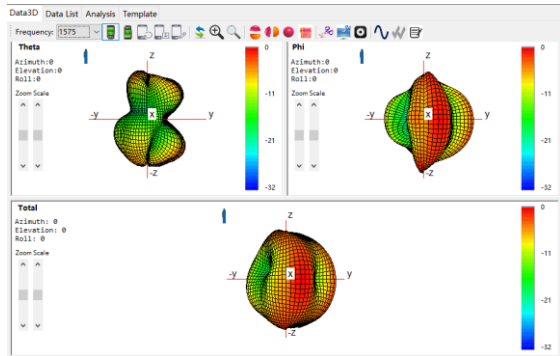
Main: 2350Mhz



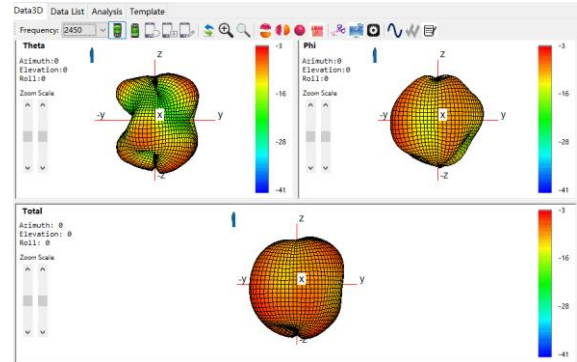
Main:2550Mhz

# Technical Specification

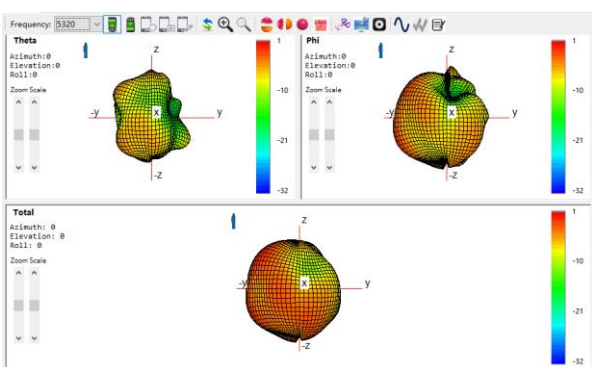
## G/W/B 3-D Patten Plots



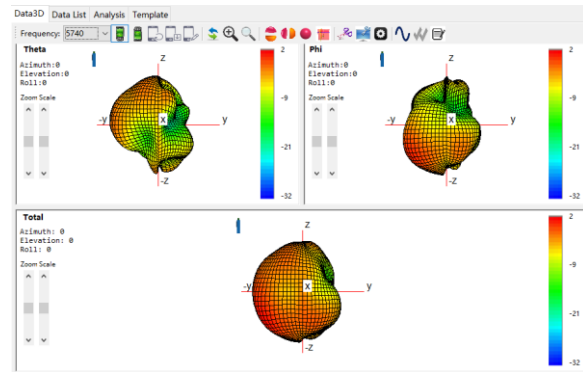
G/W/B: 1575Mhz



G/W/B: 2450Mhz



G/W/B: 5320Mhz



G/W/B: 5740Mhz