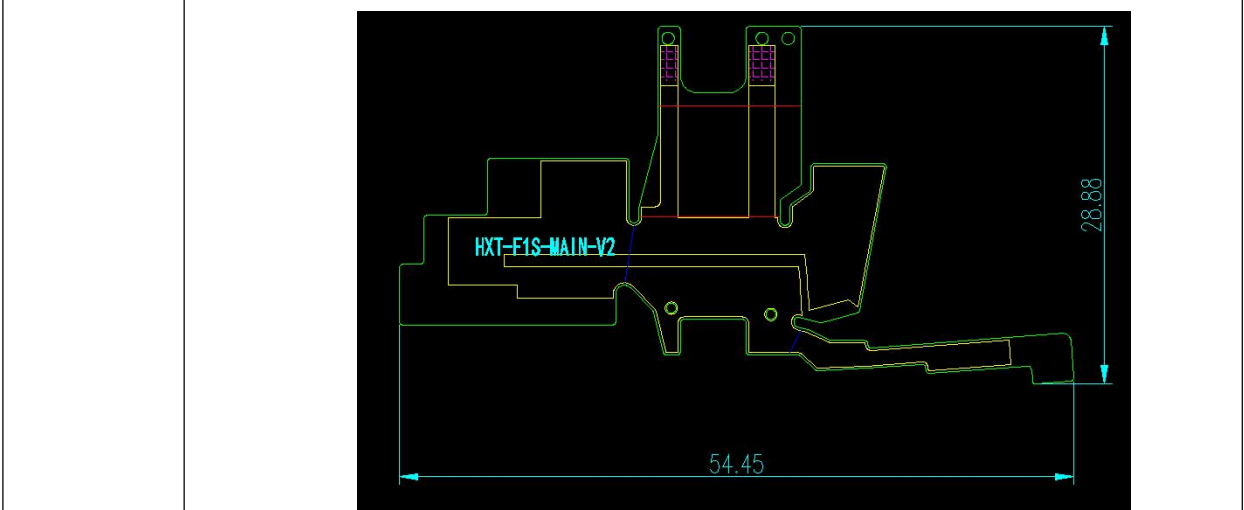


# Technical Specification

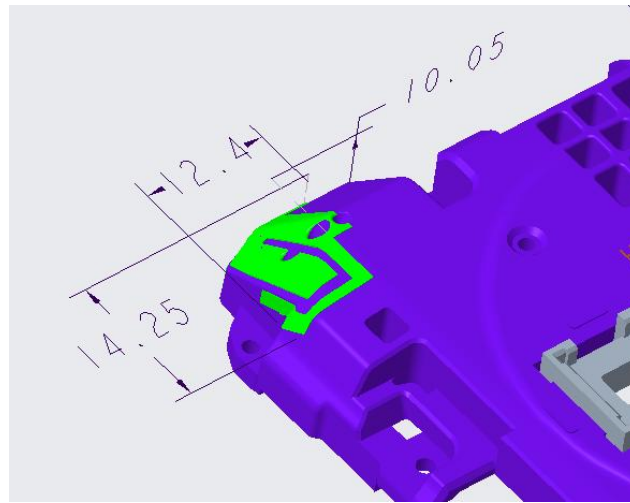
<b>Antenna Mode</b>	F1S	<b>Manufactured</b>	SHENZHEN HENGXIANGTONG ANTENNA TECHNOLOGY CO., LTD.
---------------------	-----	---------------------	---

<b>Address</b>	606, Building E, Enterprise Aviation Technology Innovation Research and Development Industrial Park, No. 1008, Songbai Road, Sunshine Community, Xili Street, Nanshan District, Shenzhen		
----------------	--	--	--

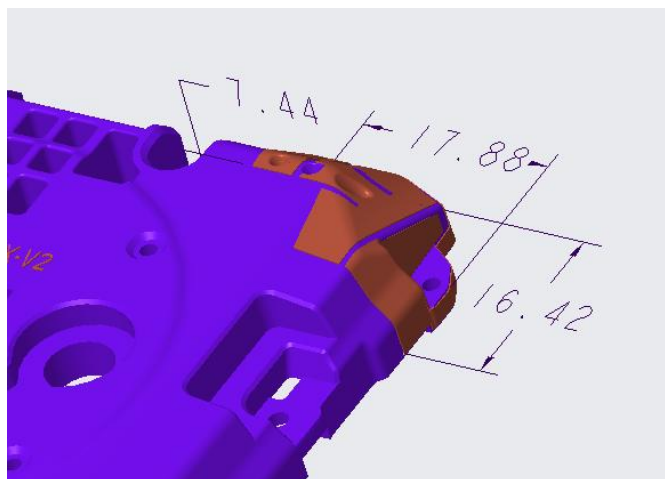


GSM/WDMA/LTE Main: PIFA

**Size & Picture**



G/W/B: PIFA

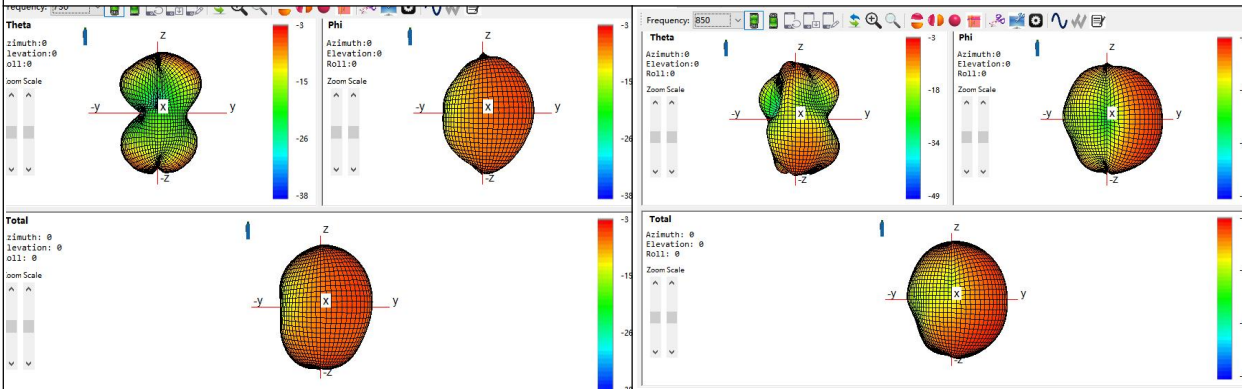


AUX: PIFA



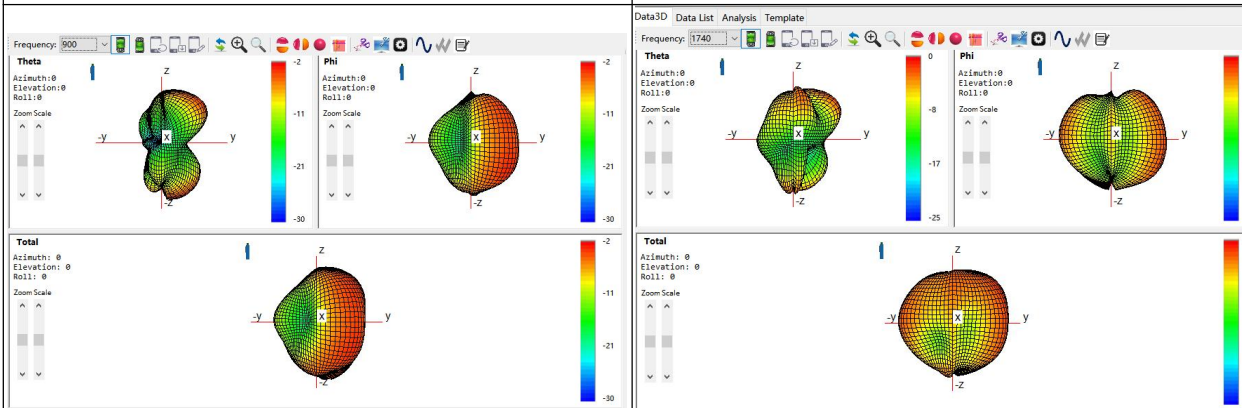
# Technical Specification

## Main 3-D Patten Plots



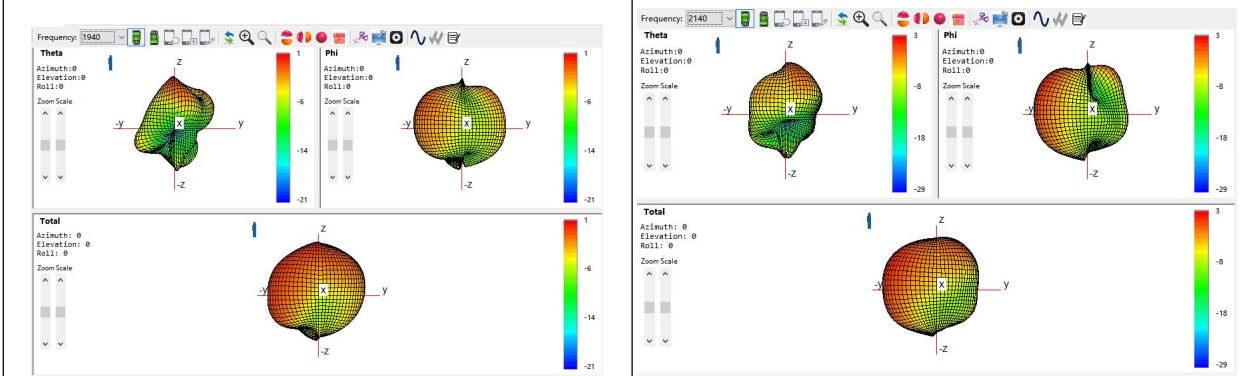
Main: 730Mhz

Main: 850Mhz



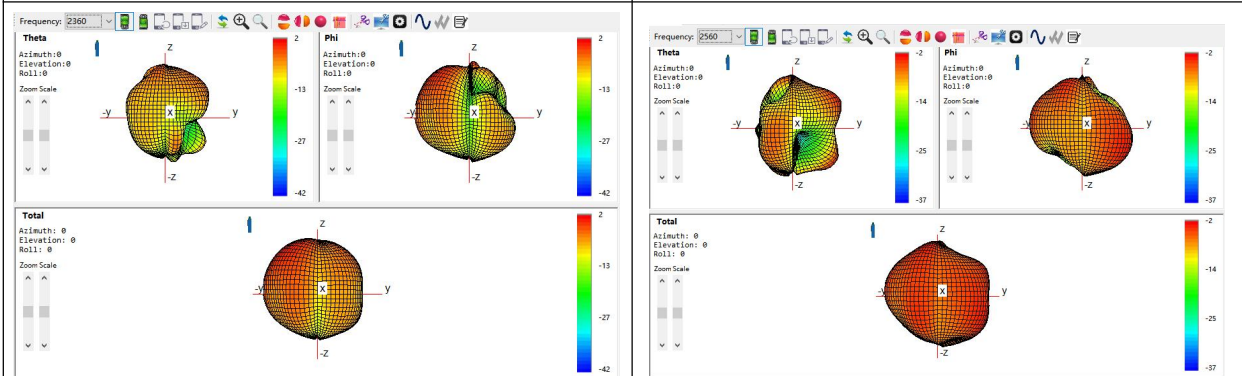
Main: 900Mhz

Main: 1740Mhz



Main: 1930Mhz

Main: 2140Mhz

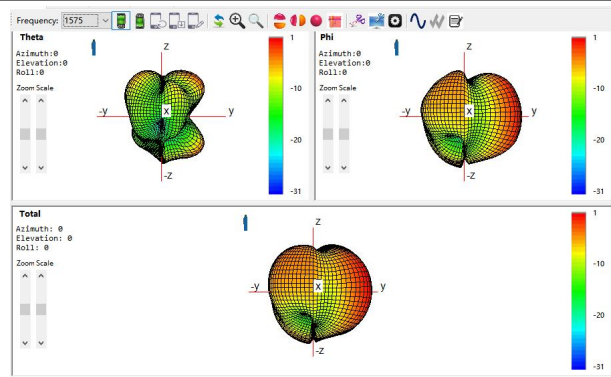


Main: 2360Mhz

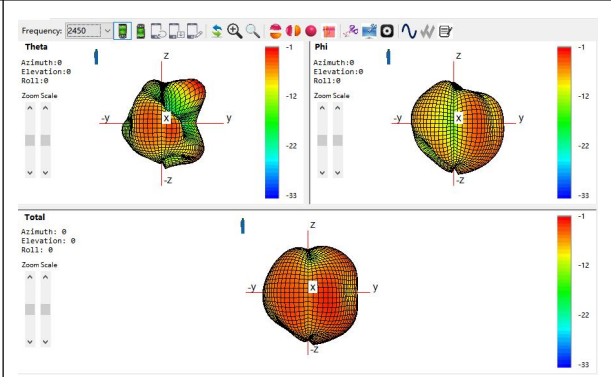
Main: 2550Mhz

# Technical Specification

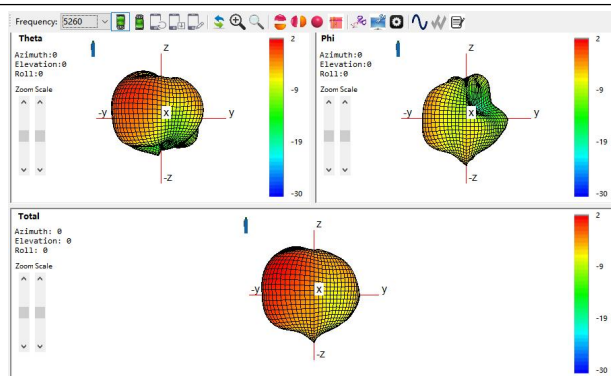
## G/W/B 3-D Patten Plots



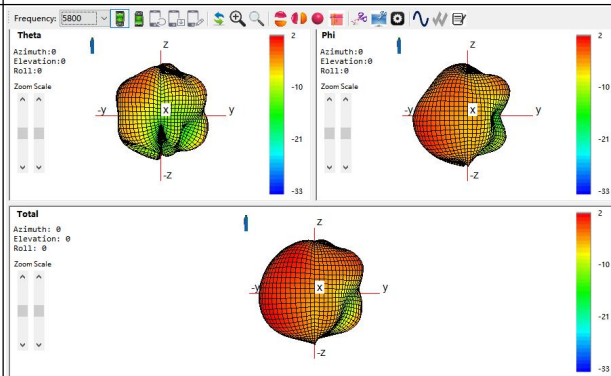
G/W/B: 1575Mhz



G/W/B: 2450Mhz



G/W/B: 5260Mhz



G/W/B: 5740Mhz