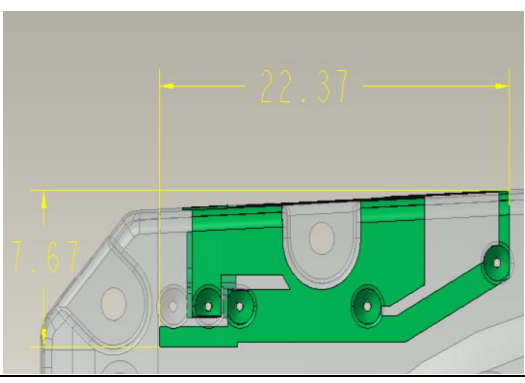
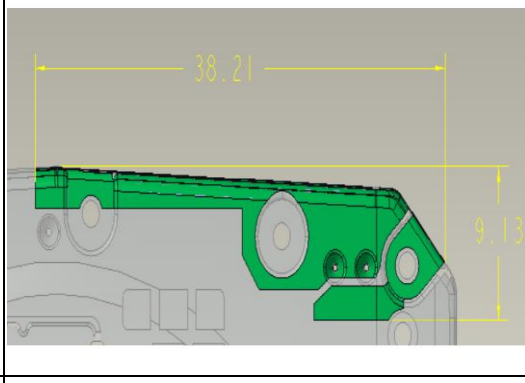
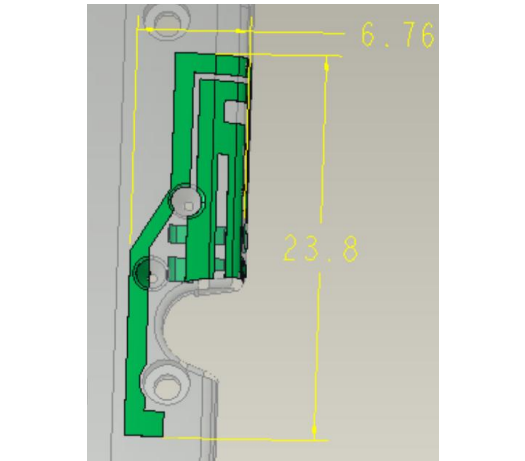
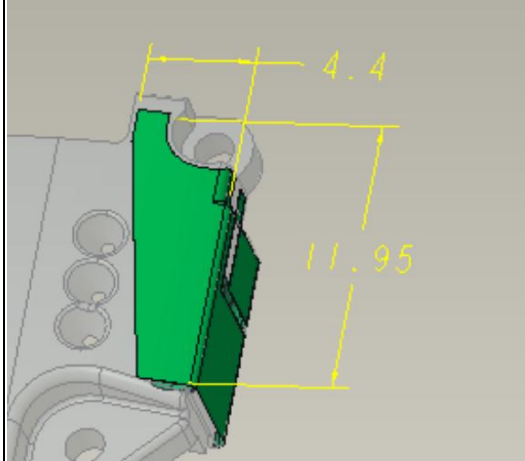
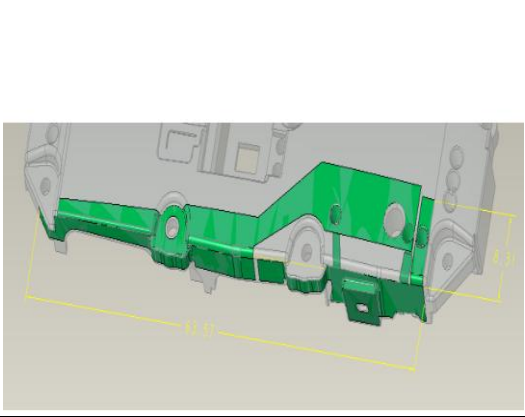
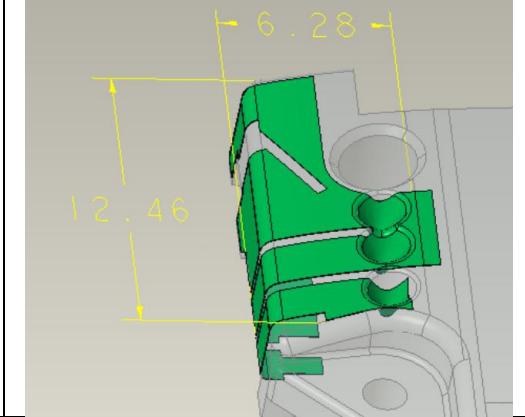
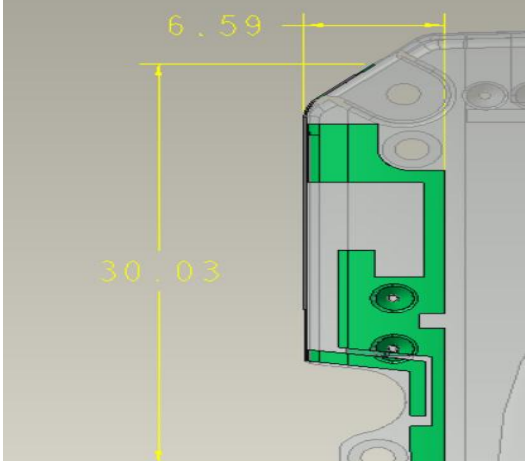
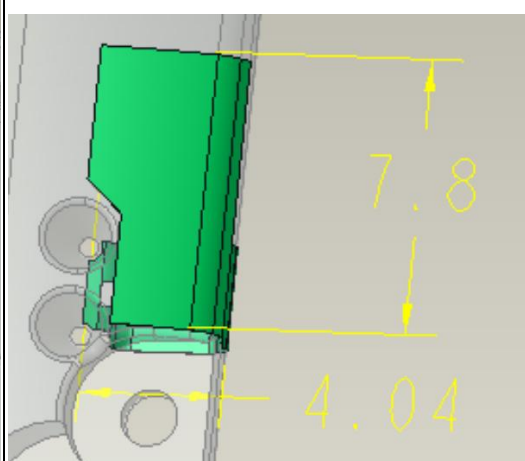
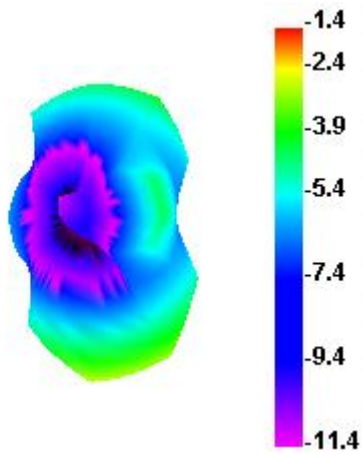


Technical Specification

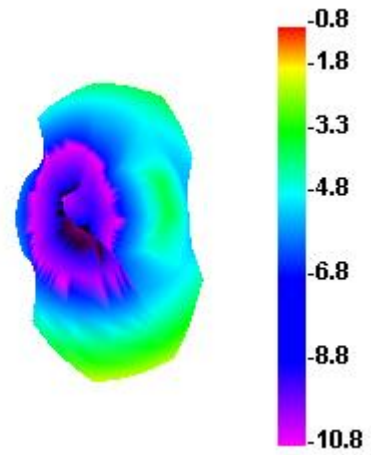
AntennaMode	ZN138	Manufactured	Shenzhen 3Good Wireless Communication Co.,LTD.	
Address	Room501-508, Jinfulai Building No.49-1Dabao Road,BaoAn,ShenZhen, GuangDong			
Size & Picture			<p>Ant0: 22.37*7.67*6.75mm PIFA</p>	<p>Ant2: 56.5*5.5*6.75mm PIFA</p>
			<p>Ant3: 23.8*6.76*6.75mm PIFA</p>	<p>Ant4: 11.95*4.4*6.93mm PIFA</p>
			<p>Ant5: 63.57*8.31*6.93mm PIFA</p>	<p>Ant6: 12.46*6.28*6.93mm PIFA</p>
			<p>Ant7: 60.03*6.59*6.75mm PIFA</p>	<p>Ant8: 4.04*7.8**6.75mm PIFA</p>

Technical Specification

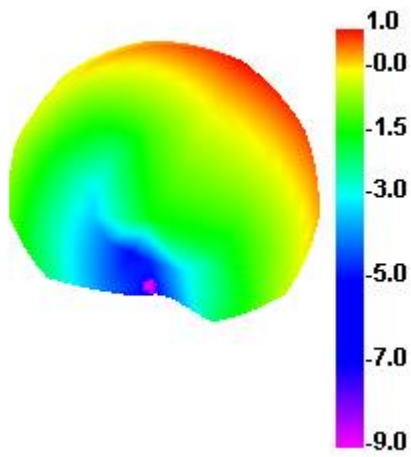
Ant5 3-D Patten Plots



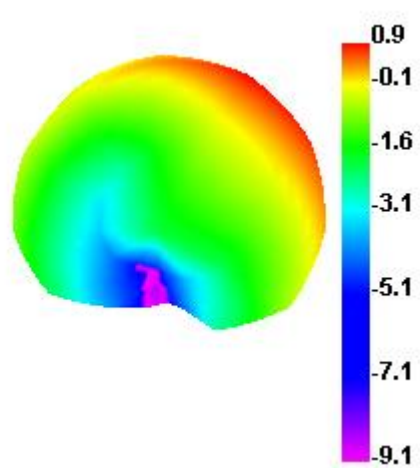
Ant0: 600Mhz



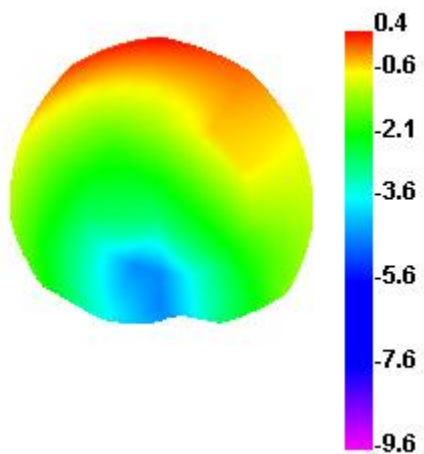
Ant0: 700Mhz



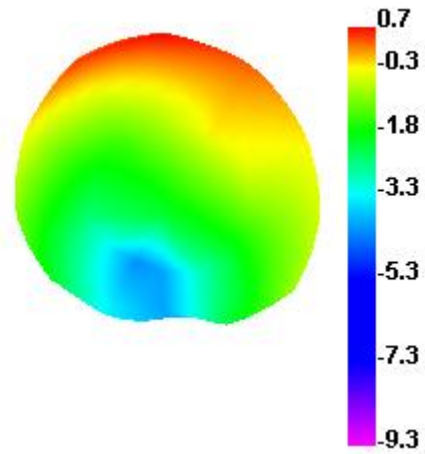
Ant0: 800Mhz



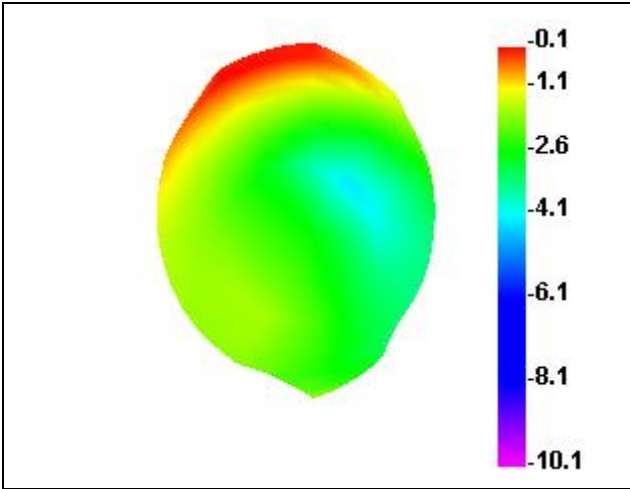
Ant0: 900Mhz



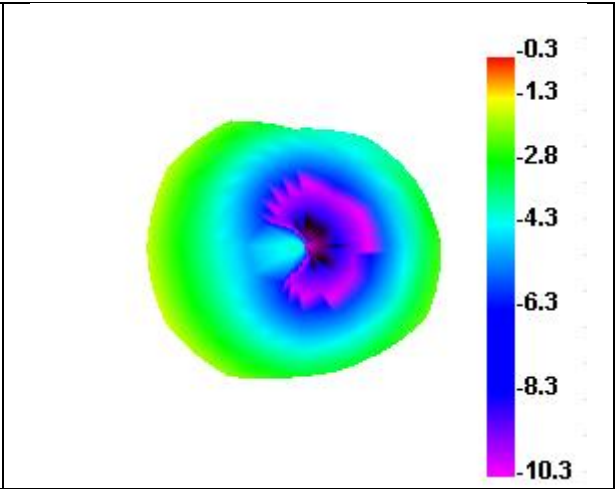
Ant0: 1700Mhz



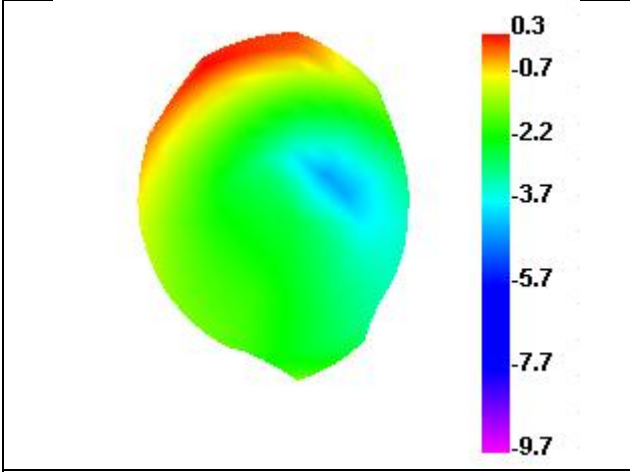
Ant0: 1900Mhz



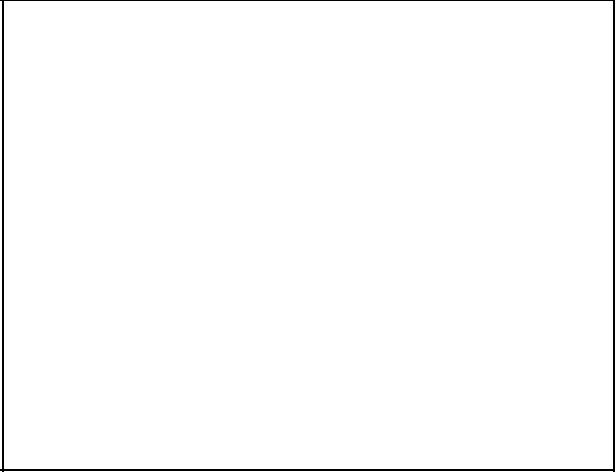
Ant0: 2100Mhz



Ant0: 2400Mhz

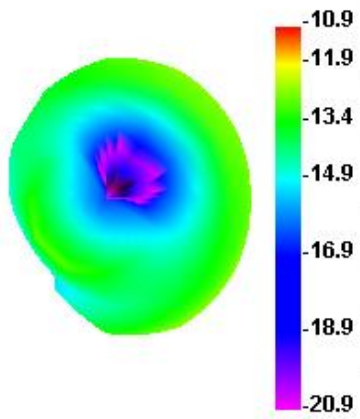


Ant0: 2600Mhz

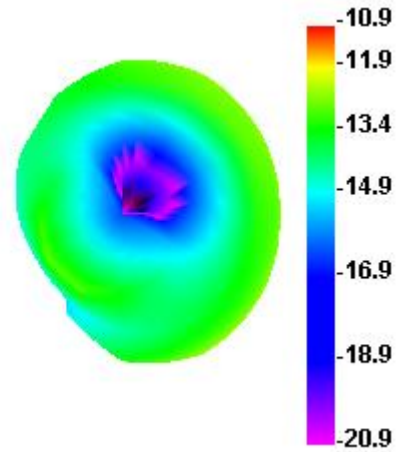


Technical Specification

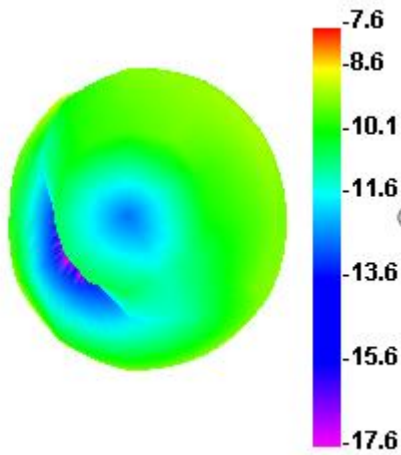
Ant2 3-D Patten Plots



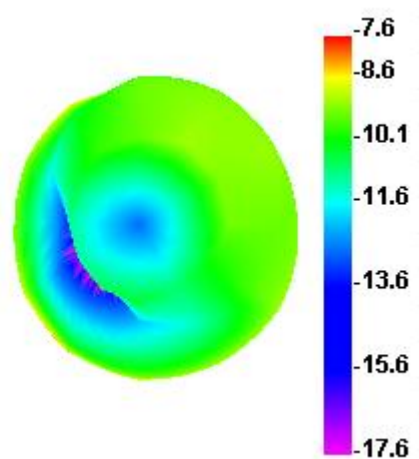
Ant1: 600Mhz



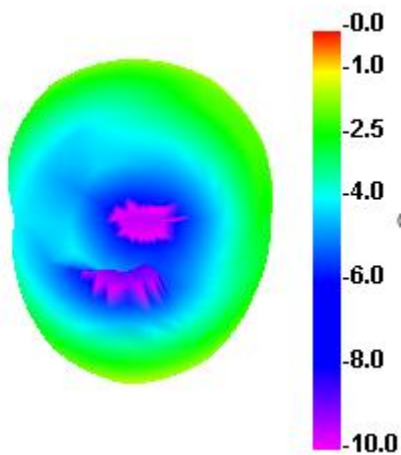
Ant1: 700Mhz



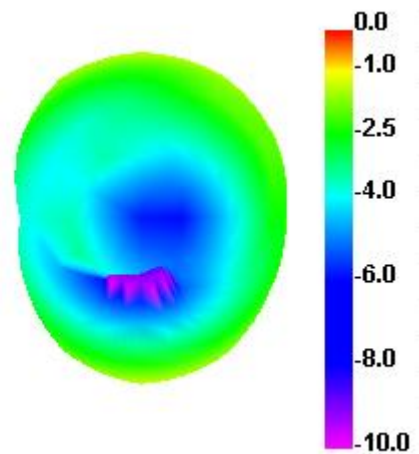
Ant1: 800Mhz



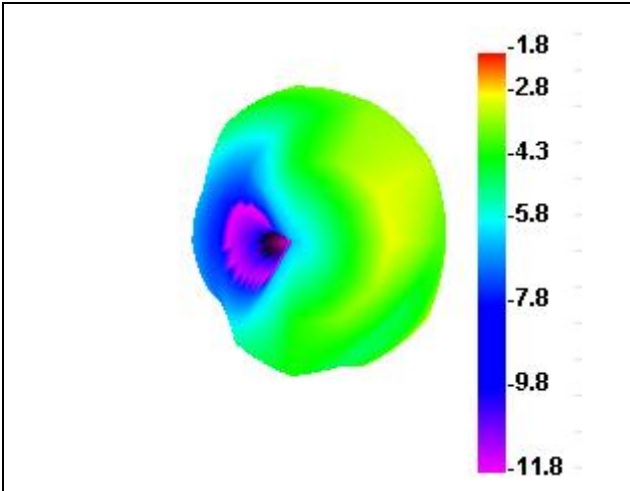
Ant1: 900Mhz



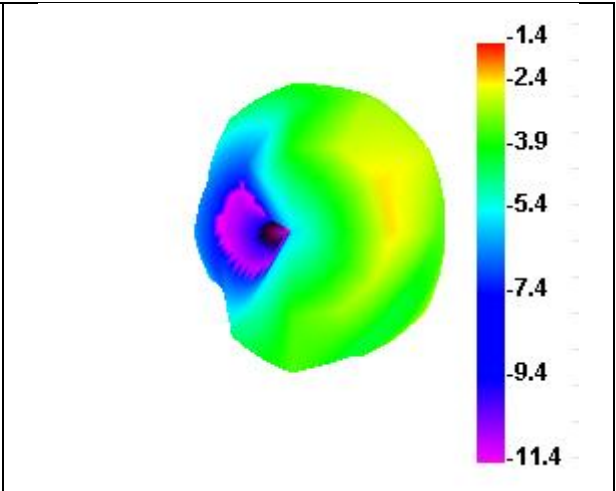
Ant1: 1700Mhz



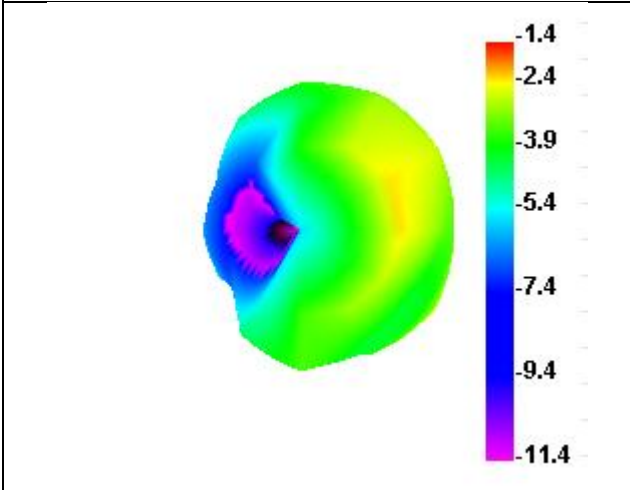
Ant1: 1900Mhz



Ant1: 2100Mhz



Ant1: 2400Mhz

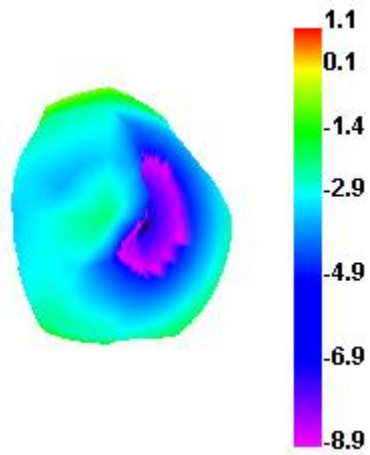


Ant1: 2600Mhz

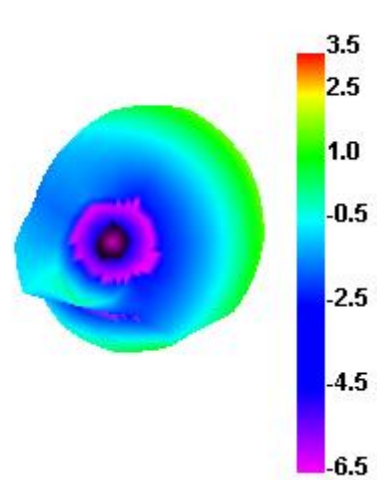


Technical Specification

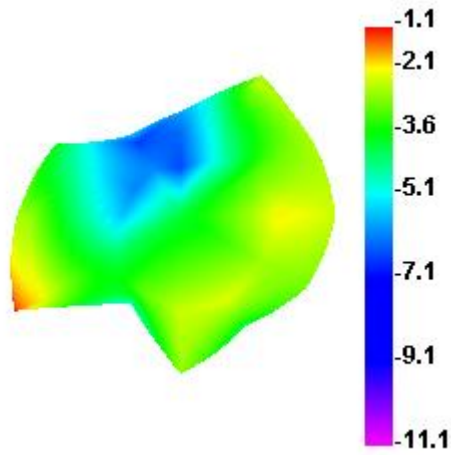
Ant0Wifi/BT/GPS L1 3-D Patten Plots



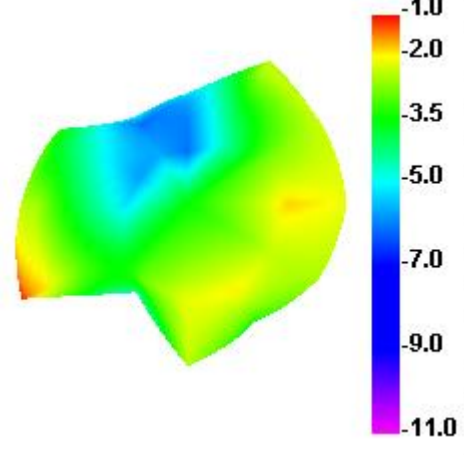
Ant6: 1575.42Mhz



Ant6: 2440Mhz

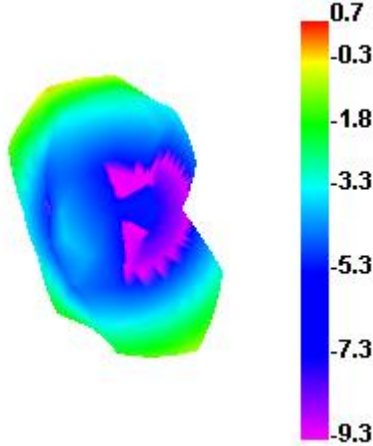


Ant6: 5180Mhz

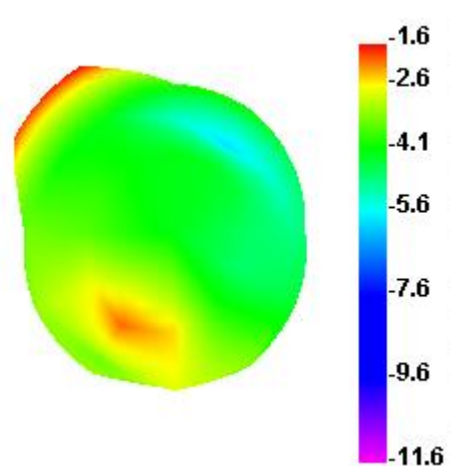


Ant6: 5800Mhz

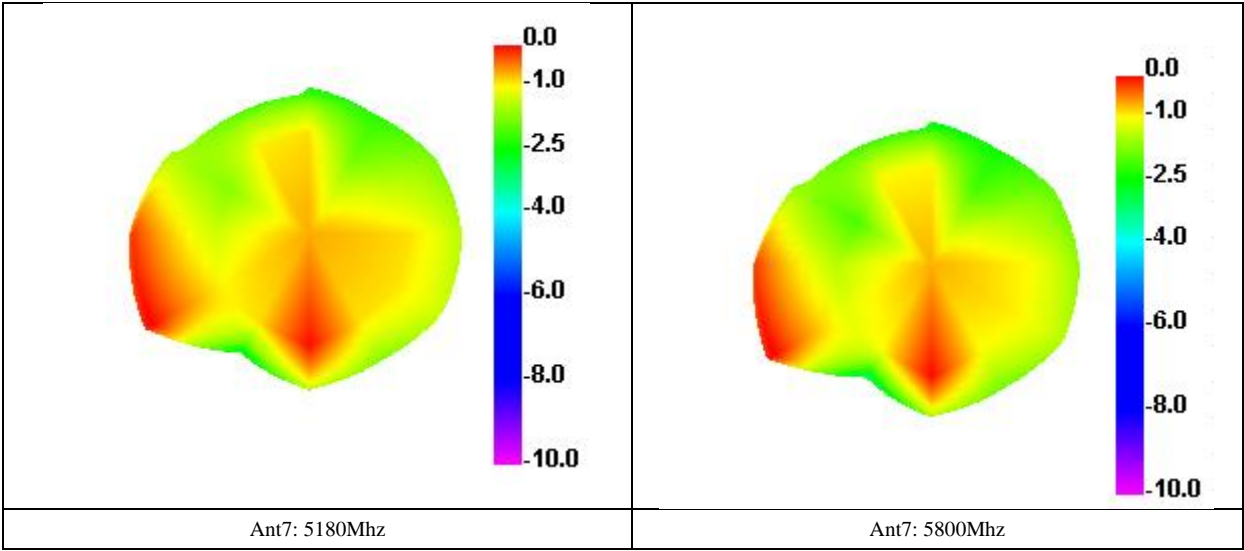
Ant7Wifimimo/GPS L5 3-D Patten Plots



Ant7: 1176.45Mhz



Ant7: 2440Mhz

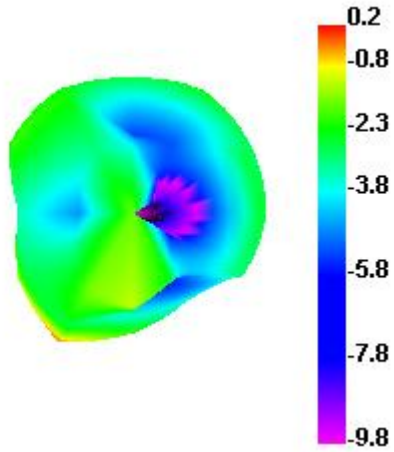


Ant7: 5180Mhz

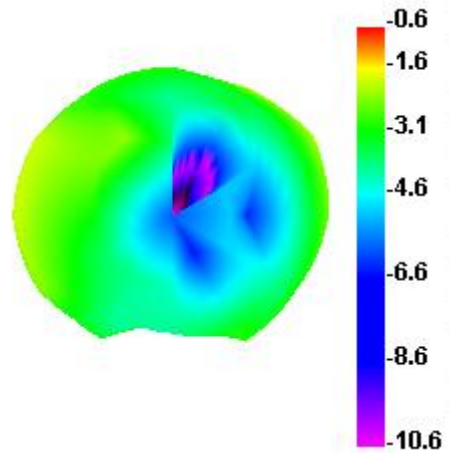
Ant7: 5800Mhz

Technical Specification

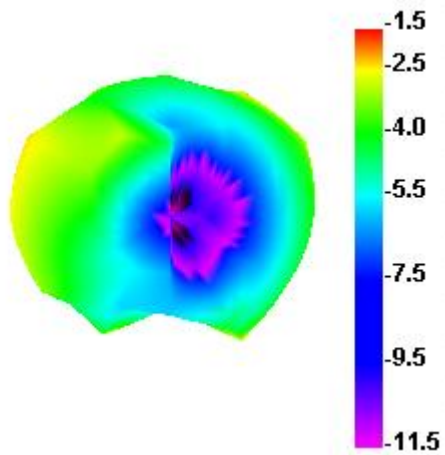
Ant3 3-D Patten Plots



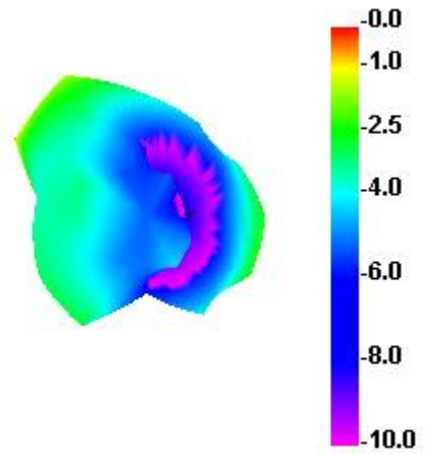
Ant2: 2600Mhz



Ant2: 3300Mhz

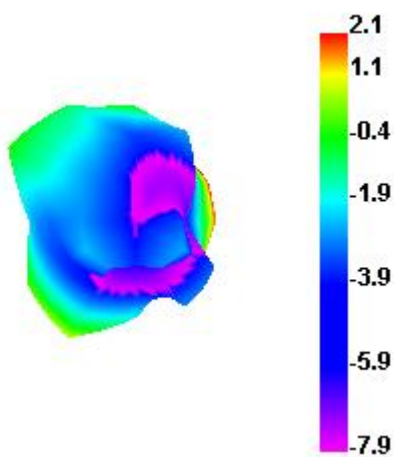


Ant2: 3800Mhz

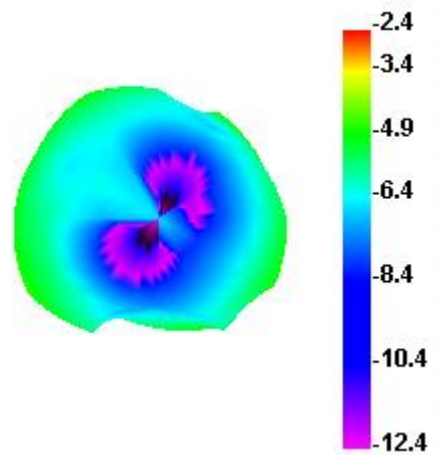


Ant2: 4700Mhz

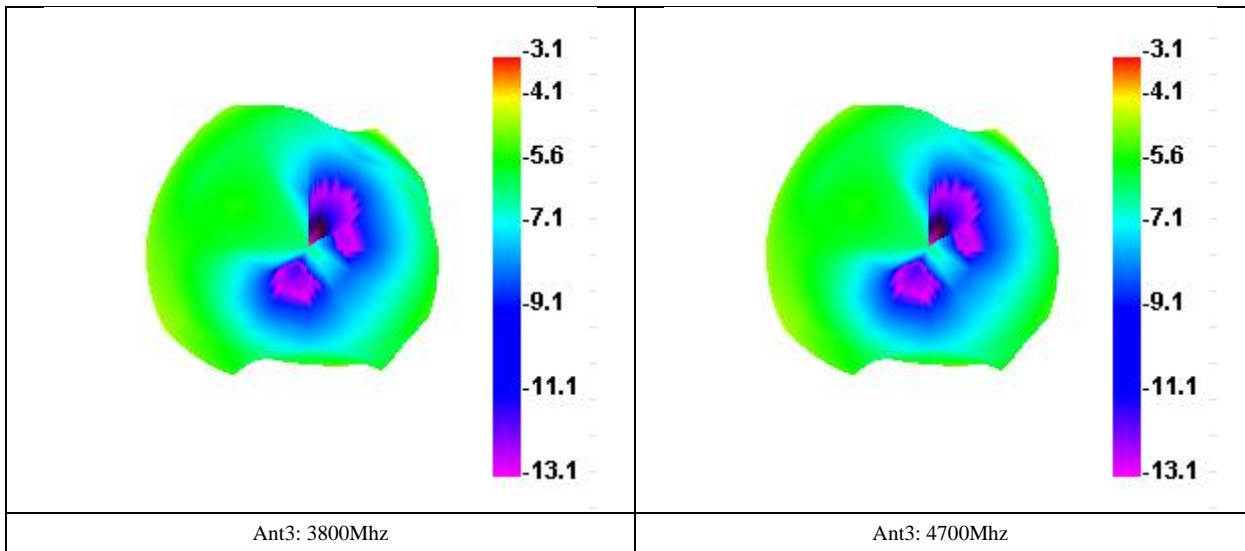
Ant4 3-D Patten Plots



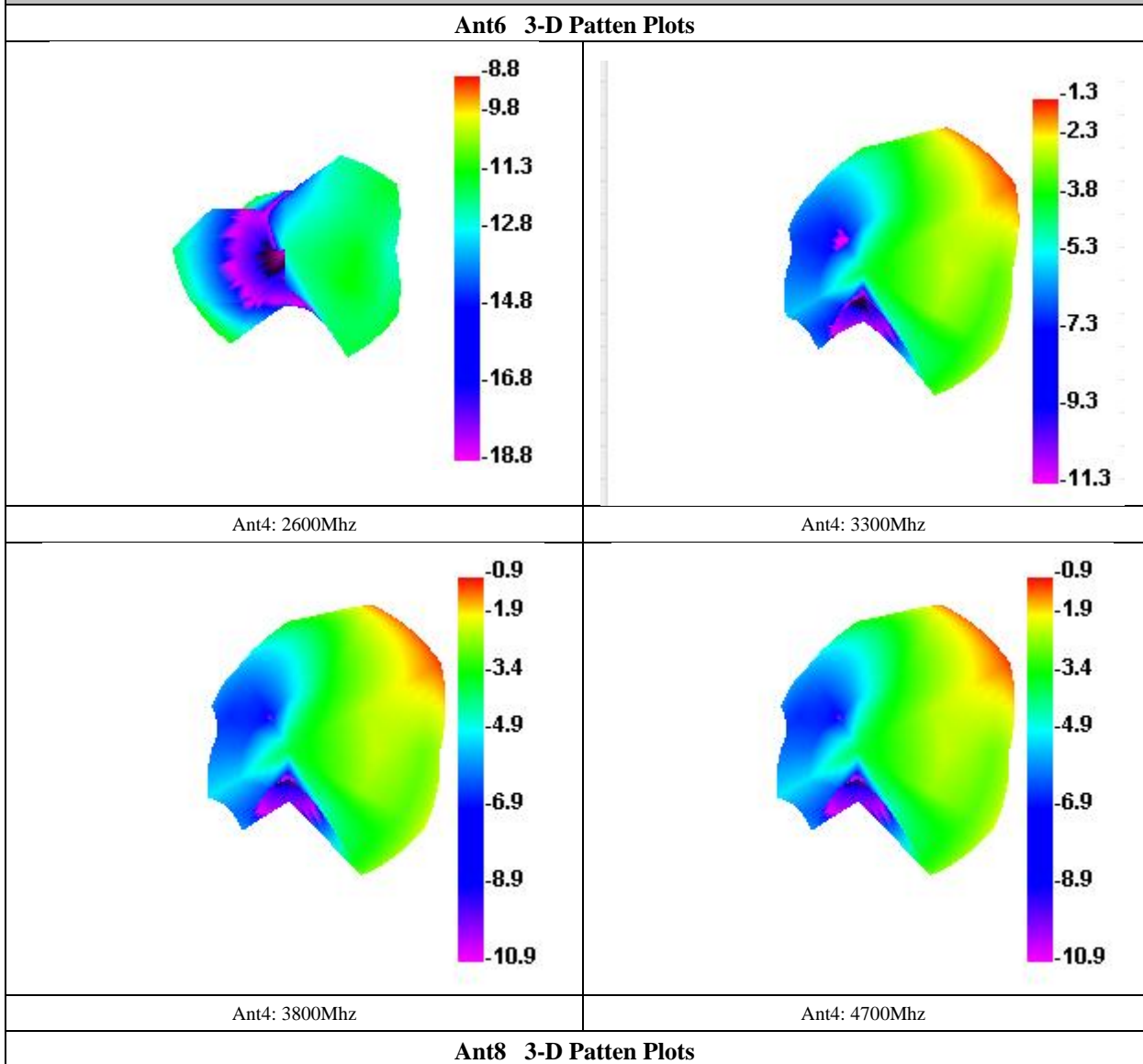
Ant3: 2600Mhz

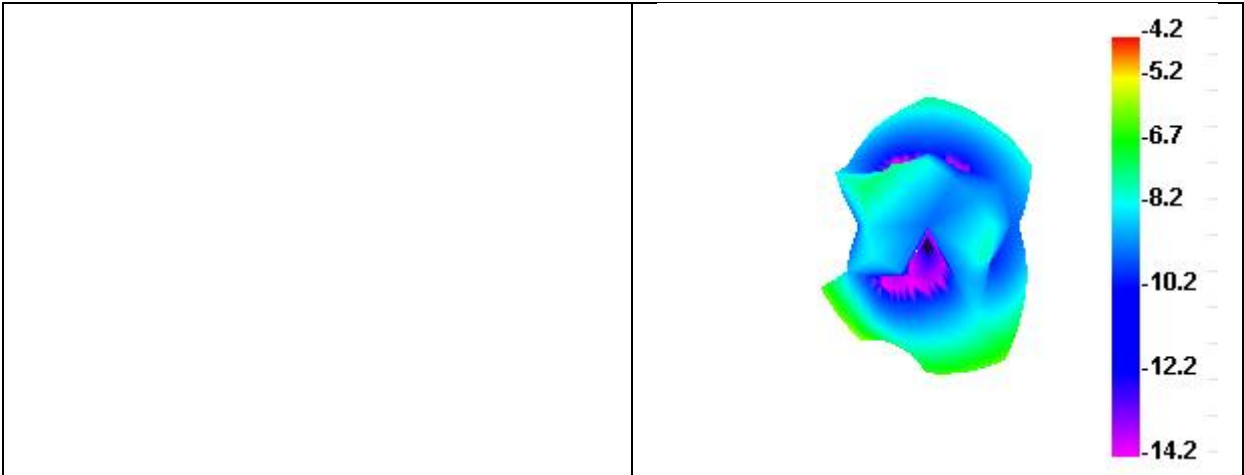


Ant3: 3300Mhz

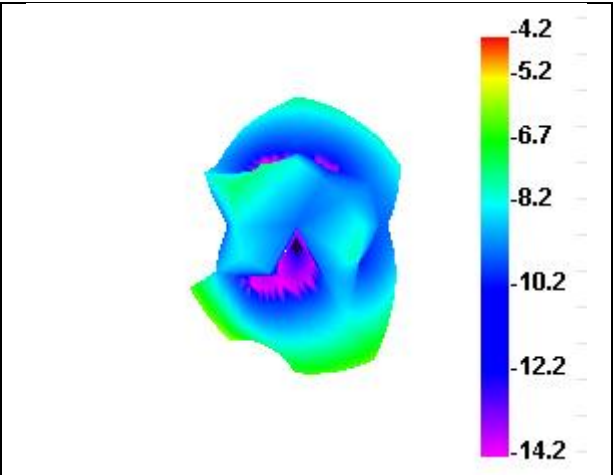


Technical Specification

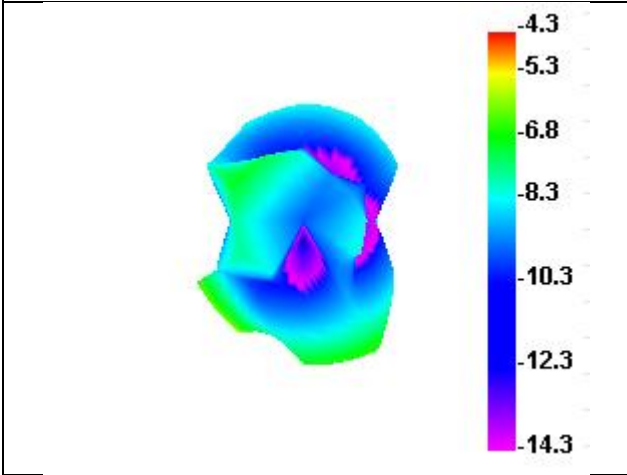




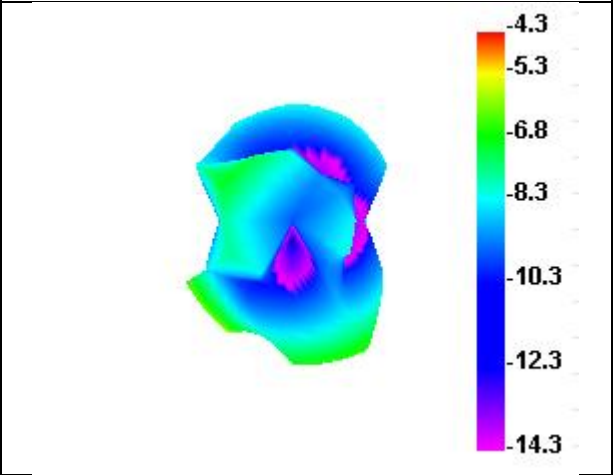
Ant5: 2600Mhz



Ant5: 3300Mhz



Ant5: 3800Mhz



Ant5: 4700Mhz