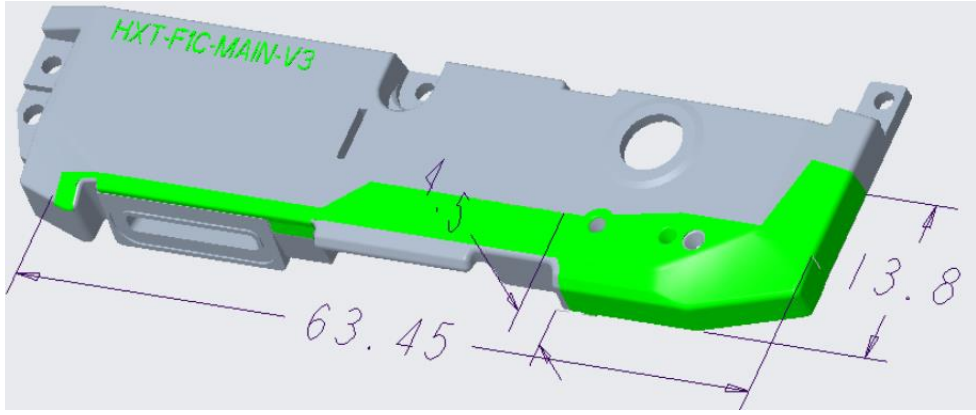


# Technical Specification

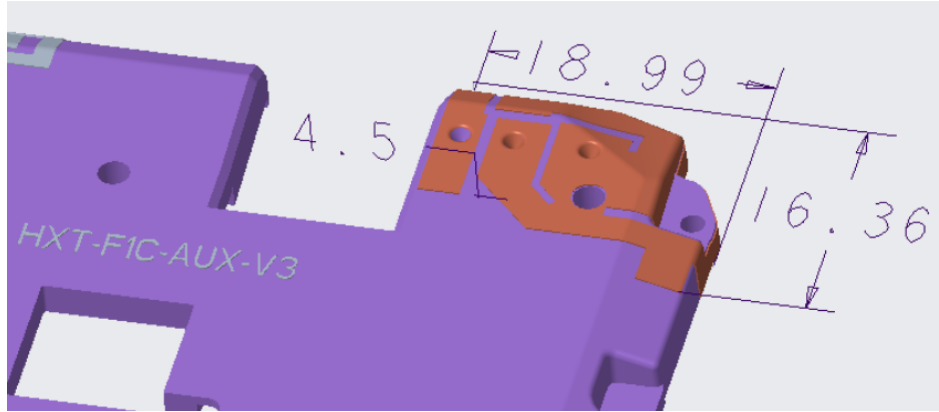
<b>Antenna Mode</b>	FIC	<b>Manufactured</b>	SHENZHEN HENGXIANGTONG ANTENNA TECHNOLOGY CO., LTD.
---------------------	-----	---------------------	---

<b>Address</b>	606, Building E, Enterprise Aviation Technology Innovation Research and Development Industrial Park, No. 1008, Songbai Road, Sunshine Community, Xili Street, Nanshan District, Shenzhen
----------------	--

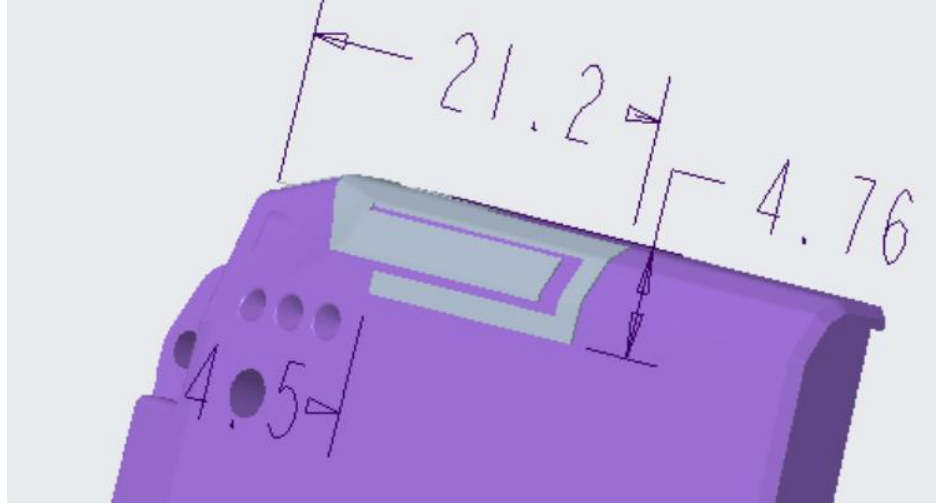
**Size & Picture**



GSM/WDMA/LTE Main: 50.12mm\*19.67mm PIFA



GSM/WDMA/LTE Aux: 46mm\*35.7mm PIFA

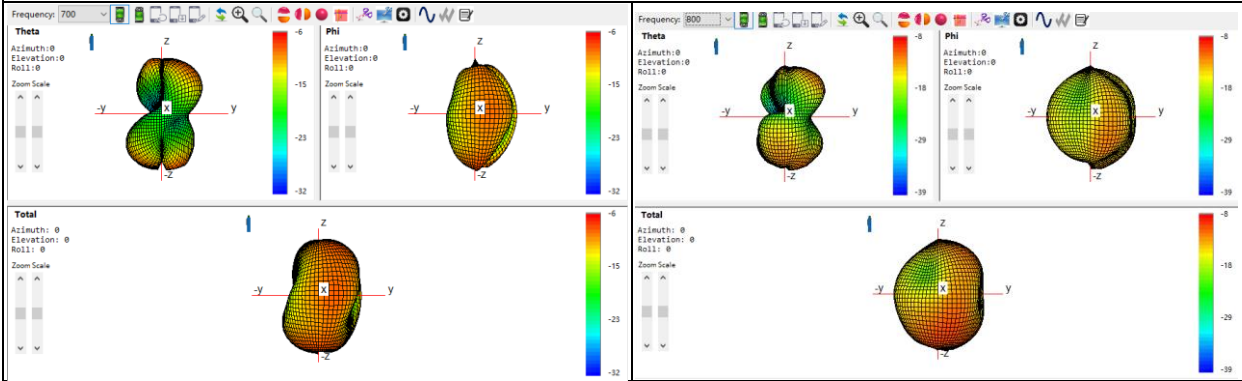


G/W/B: 32mm\*14.72mm PIFA



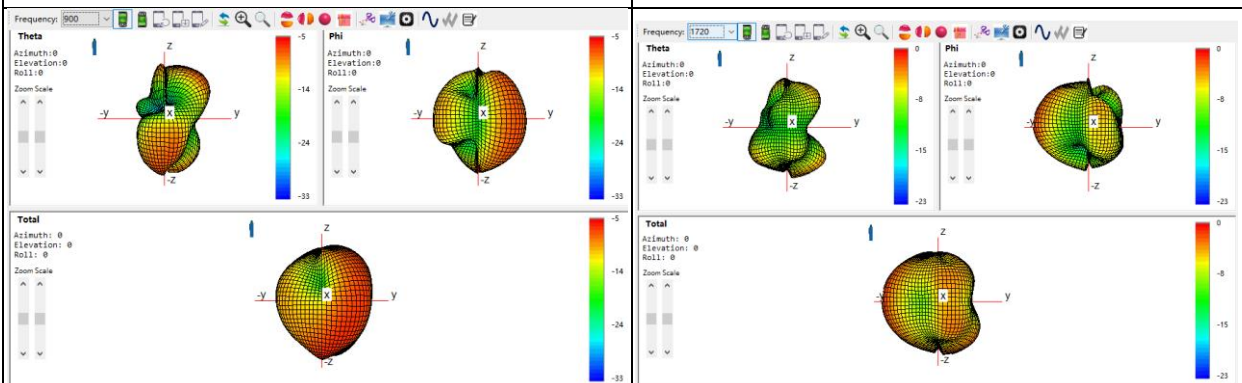
# Technical Specification

## Main 3-D Patten Plots



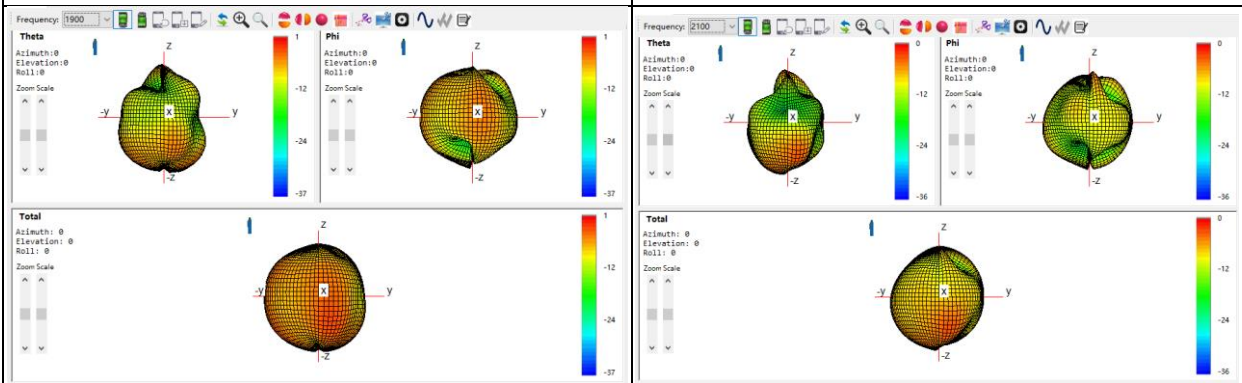
Main: 700Mhz

Main: 800Mhz



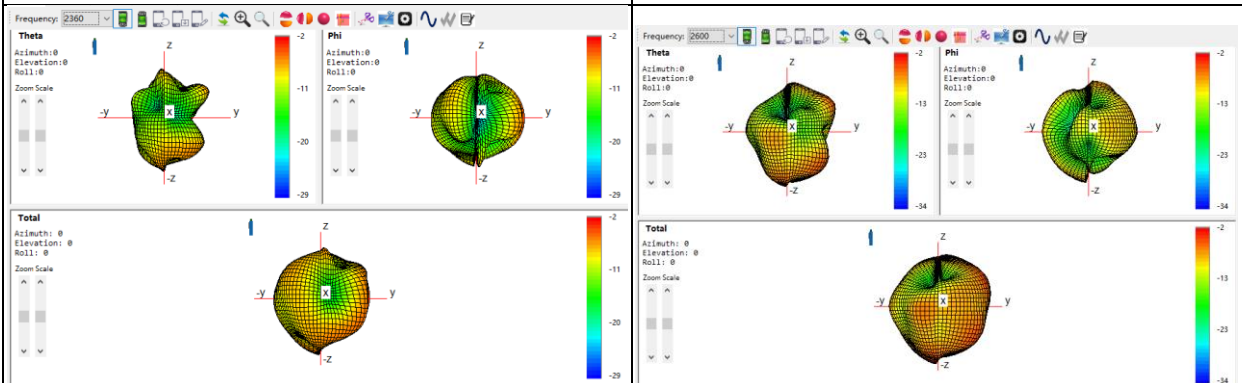
Main: 900Mhz

Main: 1720Mhz



Main: 1900Mhz

Main: 2100Mhz

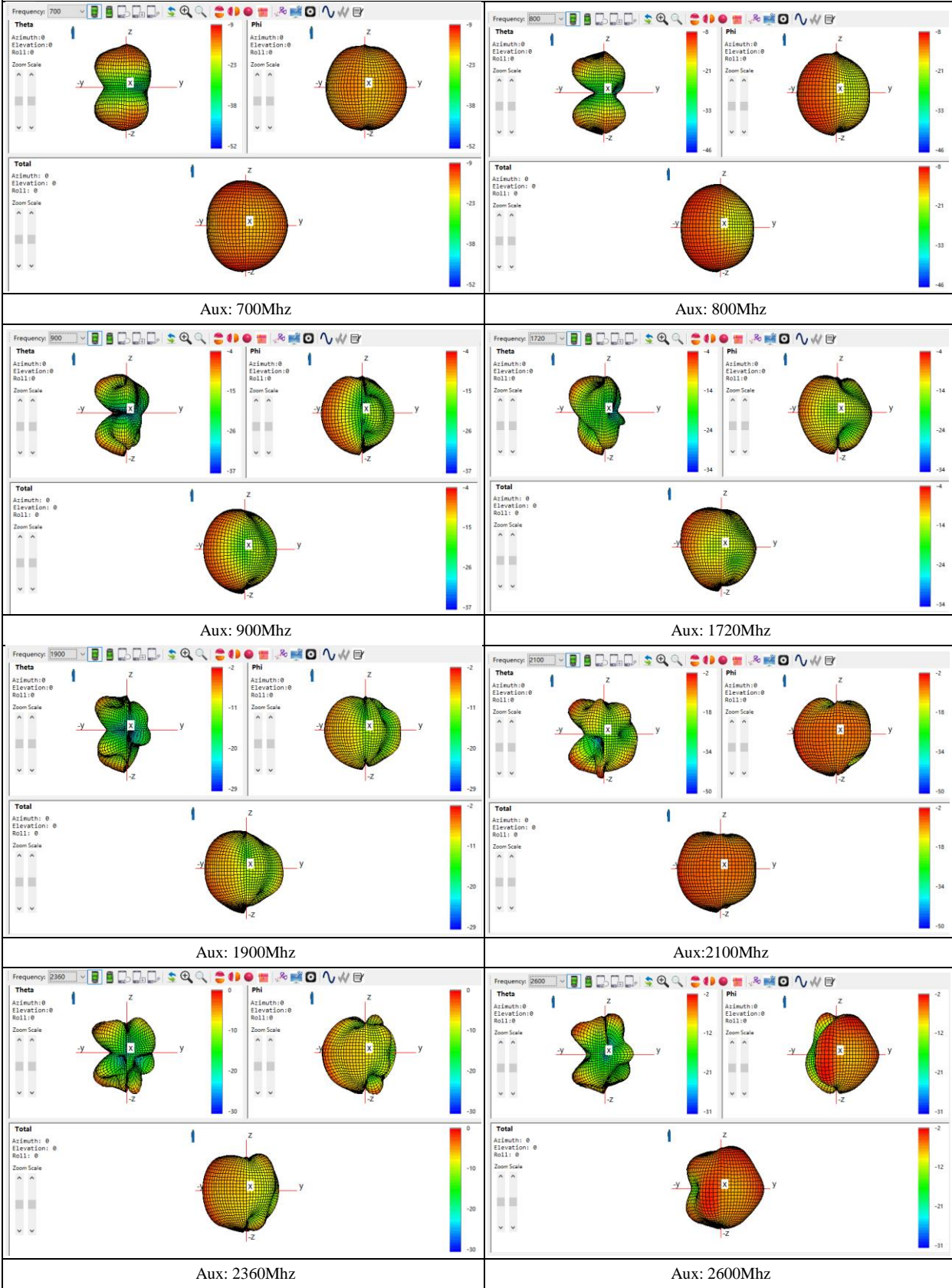


Main: 2360Mhz

Main: 2600Mhz

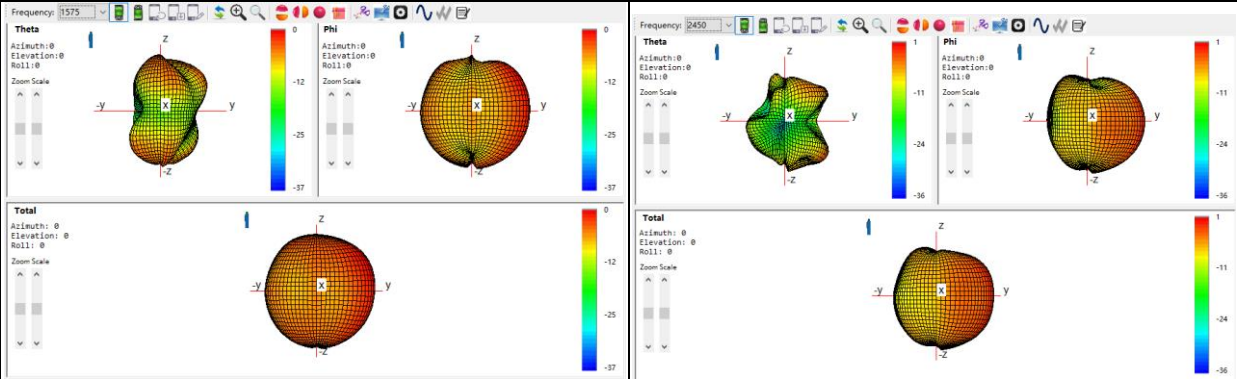
# Technical Specification

## Aux 3-D Patten Plots



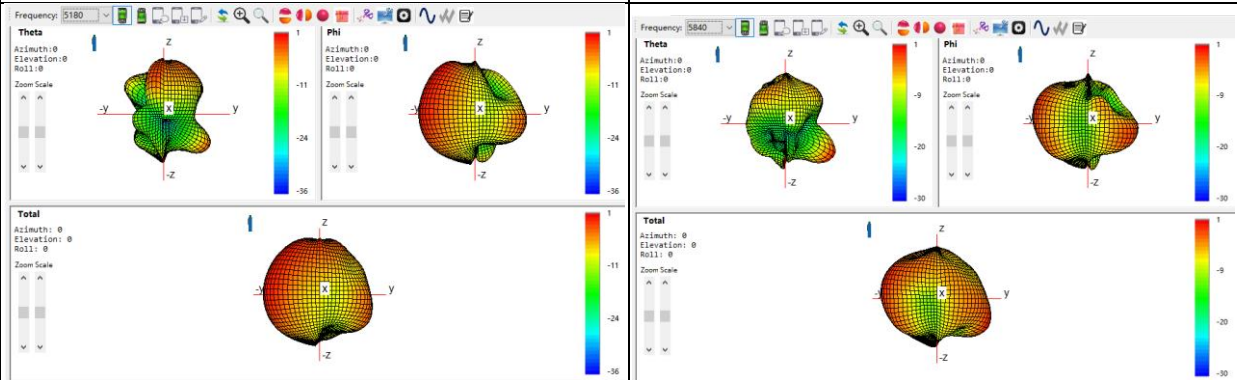
# Technical Specification

## G/W/B 3-D Patten Plots



G/W/B: 1575Mhz

G/W/B: 2450Mhz



G/W/B: 5180Mhz

G/W/B: 5840Mhz