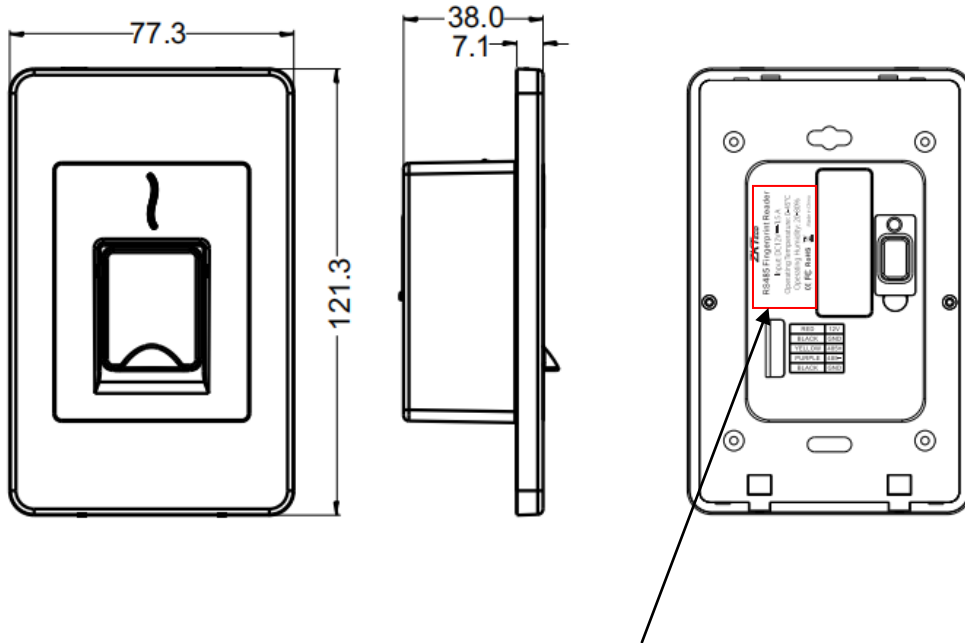


Dimensions(mm)



Armatura Tech Co.,Ltd

RS485 Fingerprint Reader

Model: FR1500S

Input: DC 12V

Operating Temperature: 0°C-45°C

Operating Humidity: 10%-90%

FCC ID: **2AX4V-FR1500S1**



This device complies with Part 15 of the FCC Rules. Operation is subject to the following two conditions:
1. This device may not cause harmful interference, and
2. This device must accept any interference received, including interference that may cause undesired operation.