

# Antenna Specification for Approval

Customer Name: GUANGDONG HENGDI TECHNOLOGY CORP., LTD.

Product Name: 2.4G antenna Total length 36mm transparent

Antenna Type: Transparent antenna

Part NO. : C113H-11130-110

Write By: ZHOU MIN

Issued Date: 2014-8-20

**client:**

R&D Dept	Business Dept	Approved By

**Dongzhen Electronics**

R&D Dept	Engineer Dept	Approval

## Product Specification

A. Electrical Characteristics

**Frequency 2400MHz ~2500MHz**

**VSWR <3.0**

**Efficiency >50%**

**Impedance 50 Ohm**

**Polarization Line**

**Gain 0.5dBi**

**B. Material & Mechanical Characteristics**

**Material of Radiator Cu**

**Cable Type 1.13**

**Connector Type : NO**

**Dimension**

**C. Environmental**

**Operation Temperature - 30 °C ~ + 80 °C**

**Storage Temperature - 30 °C ~ + 85 °C**

## **Test Equipment & Conditions**

### **1. Network Analyzers :**

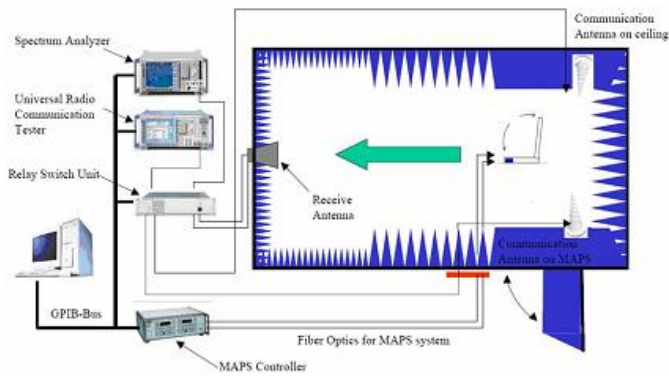
Agilent 8753D 5071B

### **2. Communications Test Set:**

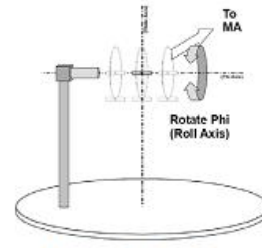
Agilent E5515C

### **3. 3D Chamber Test System**

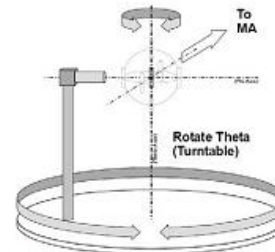
## **Efficiency & Gain**



(Testing by 3D anechoic chamber)



Phi axis test

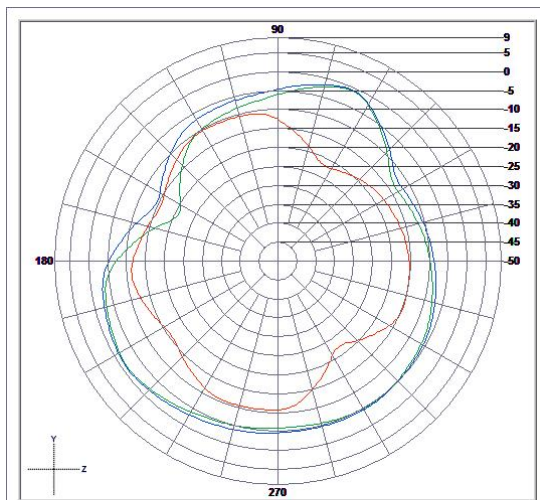


Theta axis test

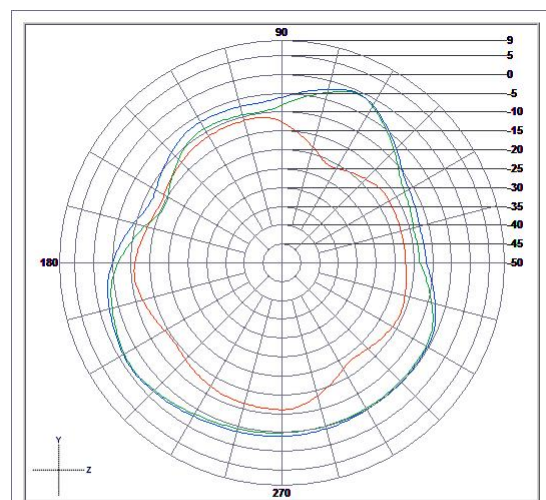
## Efficiency & Gain

2.40	-0.01
2.440	0.12
2.48	0.17

## Radiation Pattern:



	Vertical	Horizontal	Total
Avg. Gain	-13.14	-5.08	-4.45
Peak Gain	-10.08	-0.03	-0.01



	Vertical	Horizontal	Total
Avg. Gain	-13.34	-5.06	-4.46
Peak Gain	-10.3	0.09	0.12

