

# Antenna Specification for Approval

Customer Name: \_\_\_\_\_

Product Name: 2.4G antenna Full Length 35 White

Product Name: \_\_\_\_\_

Part NO. : 19\*0.12\*1.4PVC

Write By: ZHOU MIN

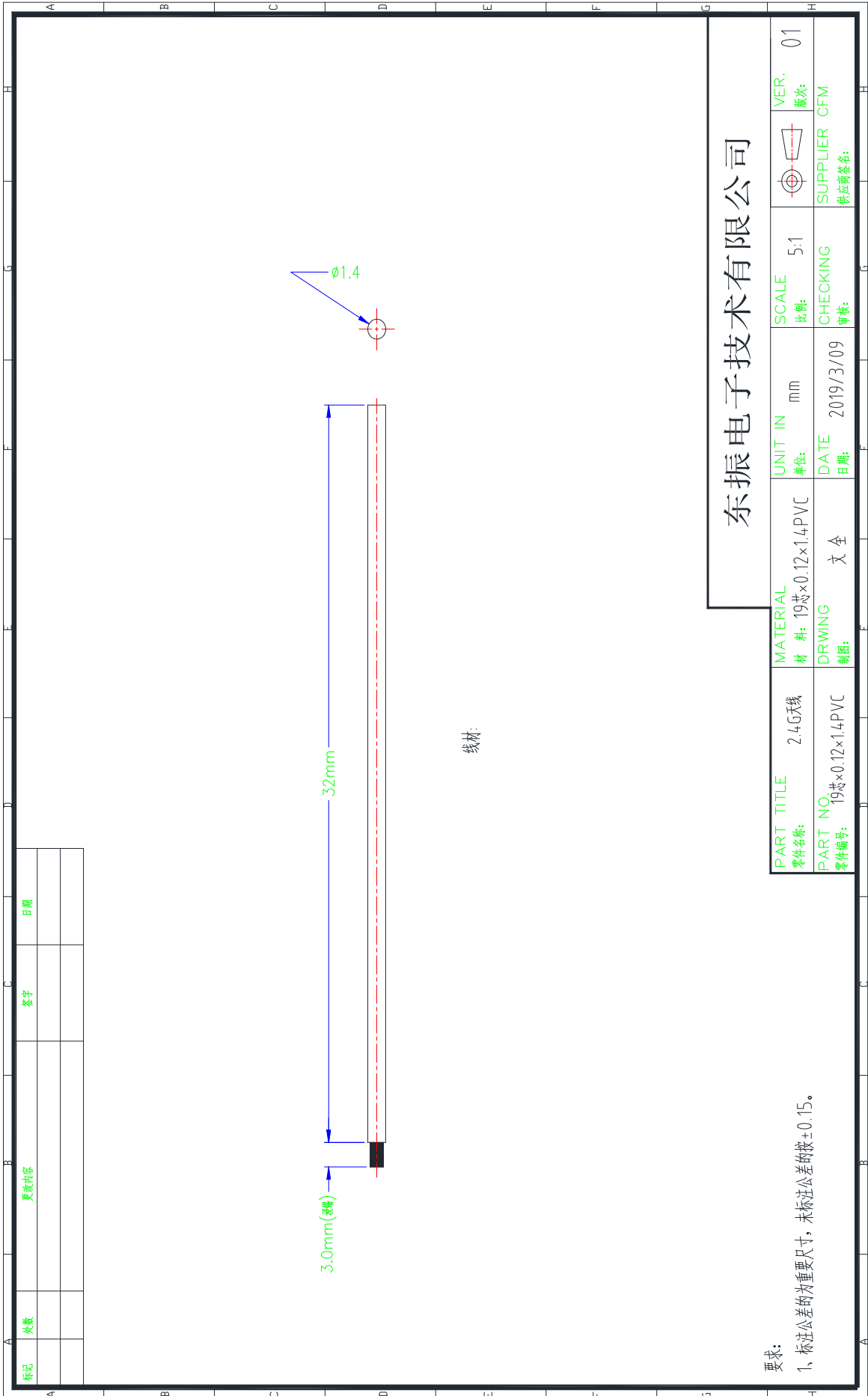
Issued Date: 2019-3-8

**client:**

R&D Dept	Business Dept	Approved By

**Dongzhen Electronics**

R&D Dept	Engineer Dept	Approval



线材

# 东振电子有限公司

标记	次数	更改内容	签字	日期

PART TITLE 零件名称:	2.4G天线	MATERIAL 材料:	19芯×0.12×1.4PVC	UNIT IN 单位:	mm	SCALE 比例:	5:1	VER. 版本:	01
PART NO. 零件编号:	19芯×0.12×1.4PVC	DRAWING 制图:	文全	DATE 日期:	2019/3/09	CHECKING 审核:		SUPPLIER CFM 供应商签名:	CFM

**要求:**

- 1、标注公差的重要尺寸，未标注公差的按±0.15。

# Product Specification

## A. Electrical Characteristics

Frequency 2400MHz ~2500MHz

VSWR <1.0

Efficiency >20%

Impedance 50 Ohm

Polarization Line

Gain 0dBi

## B. Material & Mechanical Characteristics

Material of Radiator Cu

Cable Type 1.4

Connector Type : NO

Dimension

## C. Environmental

Operation Temperature - 30 °C ~ + 80 °C

Storage Temperature - 30 °C ~ + 85 °C

## Test Equipment & Conditions

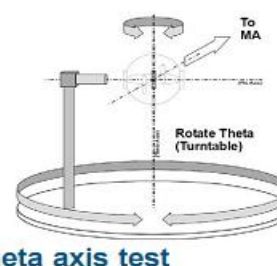
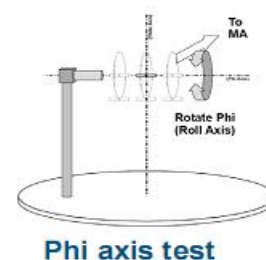
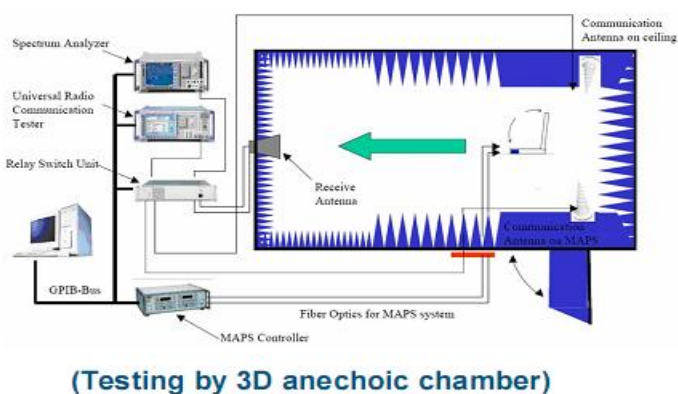
### 1. Network Analyzers :

Agilent 8753D 5071B

### 2. Communications Test Set:

Agilent E5515C

### 3. 3D Chamber Test System



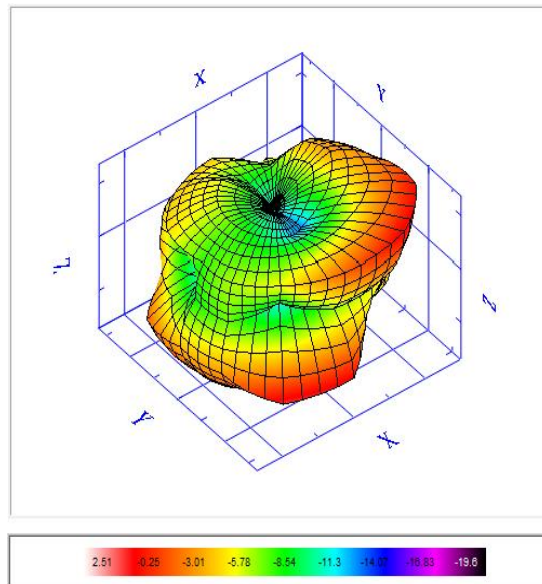
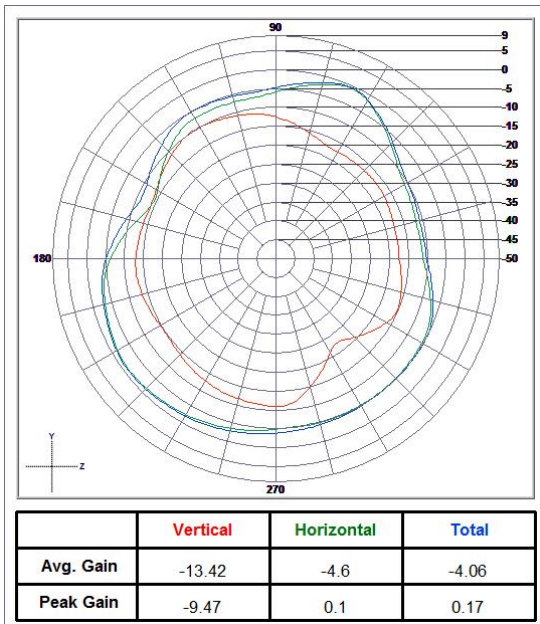
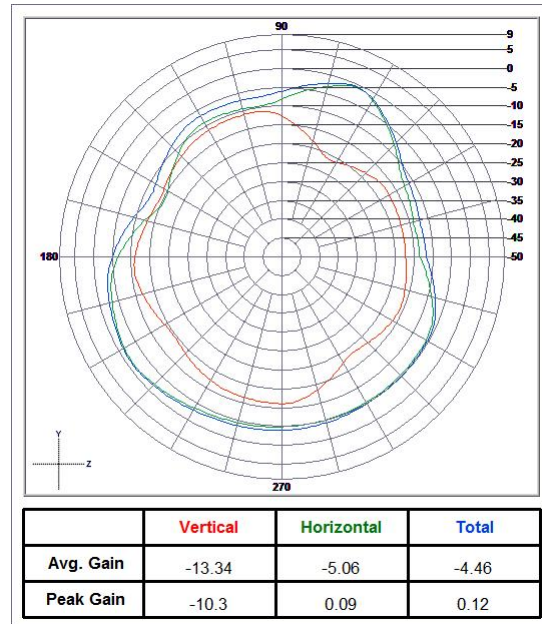
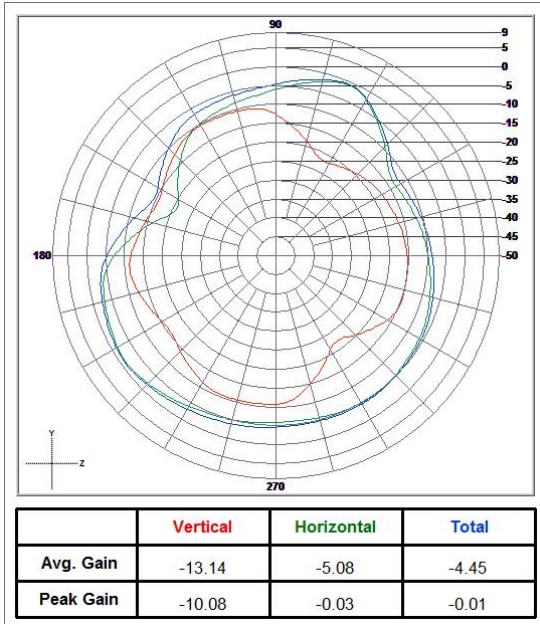
# Efficiency & Gain

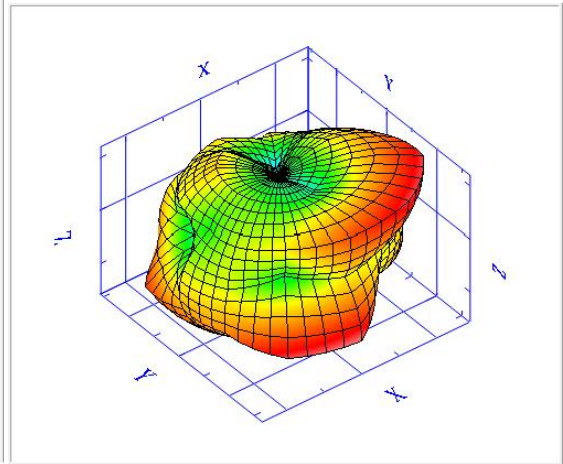
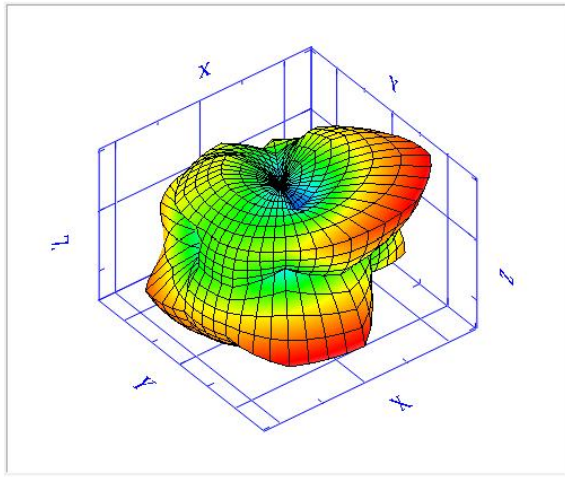
2.40      0

2.440    0

2.48      0

## Radiation Pattern:





2.12 -0.3 -2.73 -6.16 -10.01 -12.41 -14.82 -17.29

1.98 -0.55 -3.14 -5.7 -8.25 -10.81 -13.37 -15.93 -18.49