

SHADOW STORM



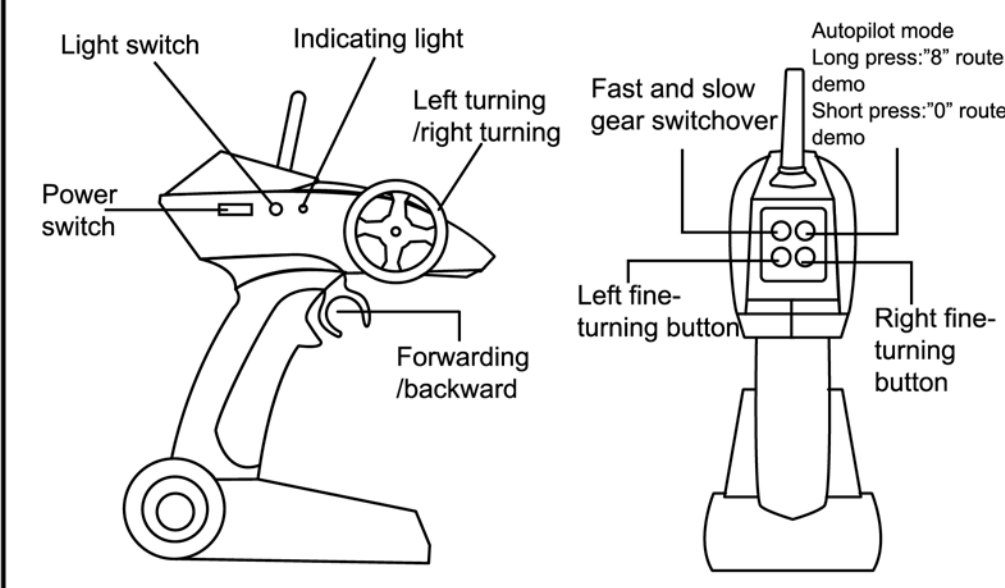
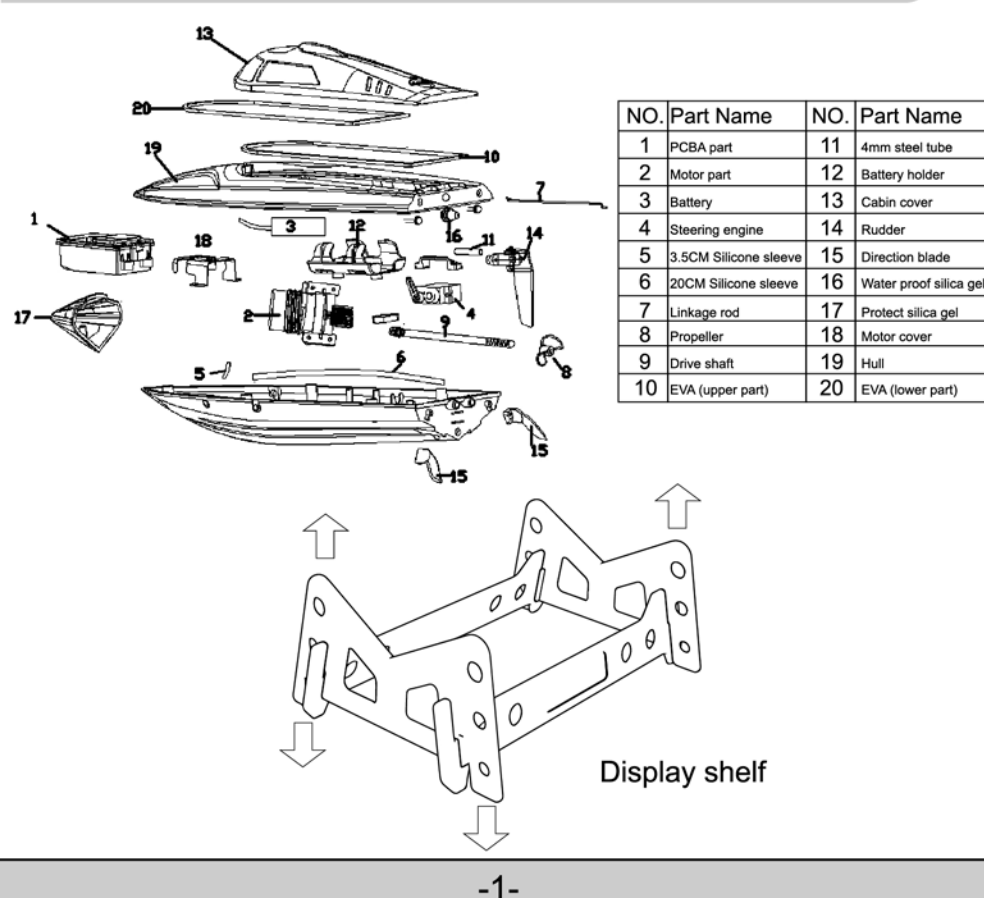
2.4G remote control ship instruction manual

- This product uses 370 strong magnetic drive system, and adopts advanced 2.4G frequency connection technology. The remote control distance is farther.
- The high-performance lithium battery is configured for 7.4V1200MAH, and the speed is 20-25KM/H. The driving time is approximately 15 minutes.
- Automatic turning technology: The ship adopts the design of tumbler. The ship has a self-overturning function, which can never overturn the ship.
- The motor cooling system extends the service life of the model.
- The left and right navigation rudder enhances the stability.
- Low voltage alarm function: When the voltage is insufficient, the remote control will give an alarm.
(After the alarm sounds, please return the ship immediately to prevent the model from powering out.)

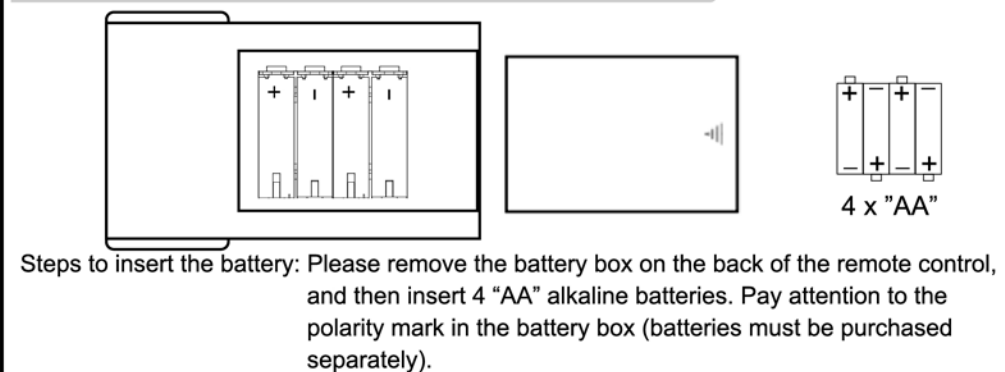
warning

- This product is suitable for people aged over 8. It must be operated under the supervision of an adult.
- After completing the voyage, the battery must be cooled before charging the battery.
- When the ship is sailing, it must be ensured that there is no one in the area. There should be no aquatic or debris in the water to prevent the propeller from being hooked or damaging the ship.
- This product has some small parts. Do not swallow to avoid the risk of suffocation.
- Please keep a certain distance from the high-speed rotating propeller to avoid the danger of ground injury.
- The motor is a high temperature component. Do not touch it to avoid the danger of burns.
- Check whether the USB cable and other parts are damaged regularly. If it is damaged, stop using it until repaired.
- When the ship model is sailing, please pay attention to safety first. If you lose control of the ship model, you must choose a safe and reliable method to retrieve it. The operator must not retrieve the ship model from the water without safety protection.

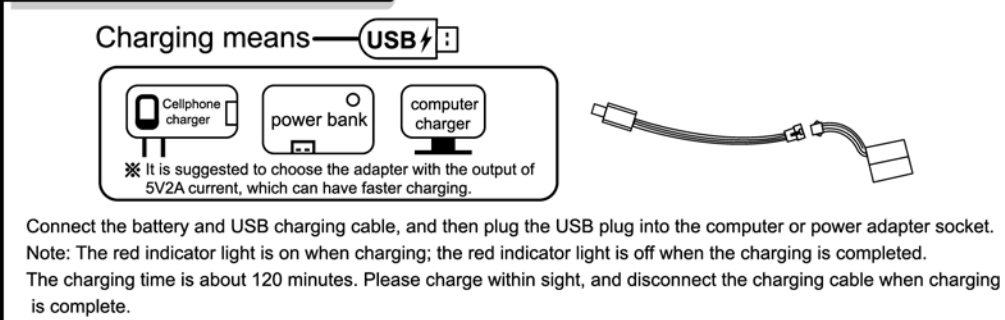
Main structure diagram of remote control ship



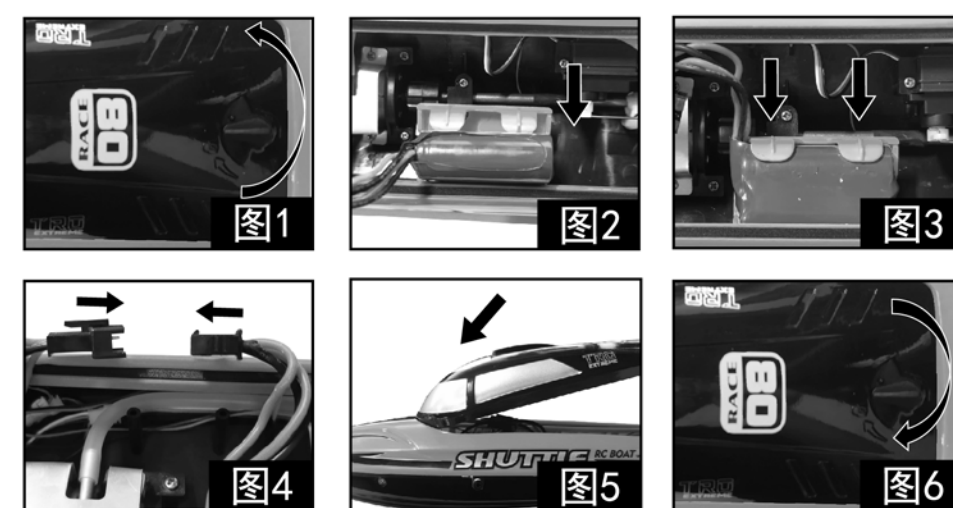
Remote control battery installation



Charging batteries



Installation steps of cabin battery



- Turn the cabin switch, and open the lid of the cabin as shown in the figure.
 - Install the lithium battery in the battery holder in the cabin.
 - Make sure the lithium battery to be fastened in the battery holder.
 - Connect the battery and power cord plug.
 - Insert and install the cabin cover to the hull at a 45° angle as shown in the figure.
 - Rotate the cabin switch as shown in the figure until the cabin cover is locked.
- Align the bow sleeve column with the hole in the bottom of the ship and install it in place.

Linking before manipulation

After the battery is installed, put the hull into the water (note: the ship needs to be in the water to be connected to electricity). At this time, the LED light on the ship flashes, then turn on the remote control power switch, the remote control power indicator flashes. Flashes and emits a sound of "DI", the lights of the ship's main body and the remote control change from flashing to steady on. Success, you can start to control.

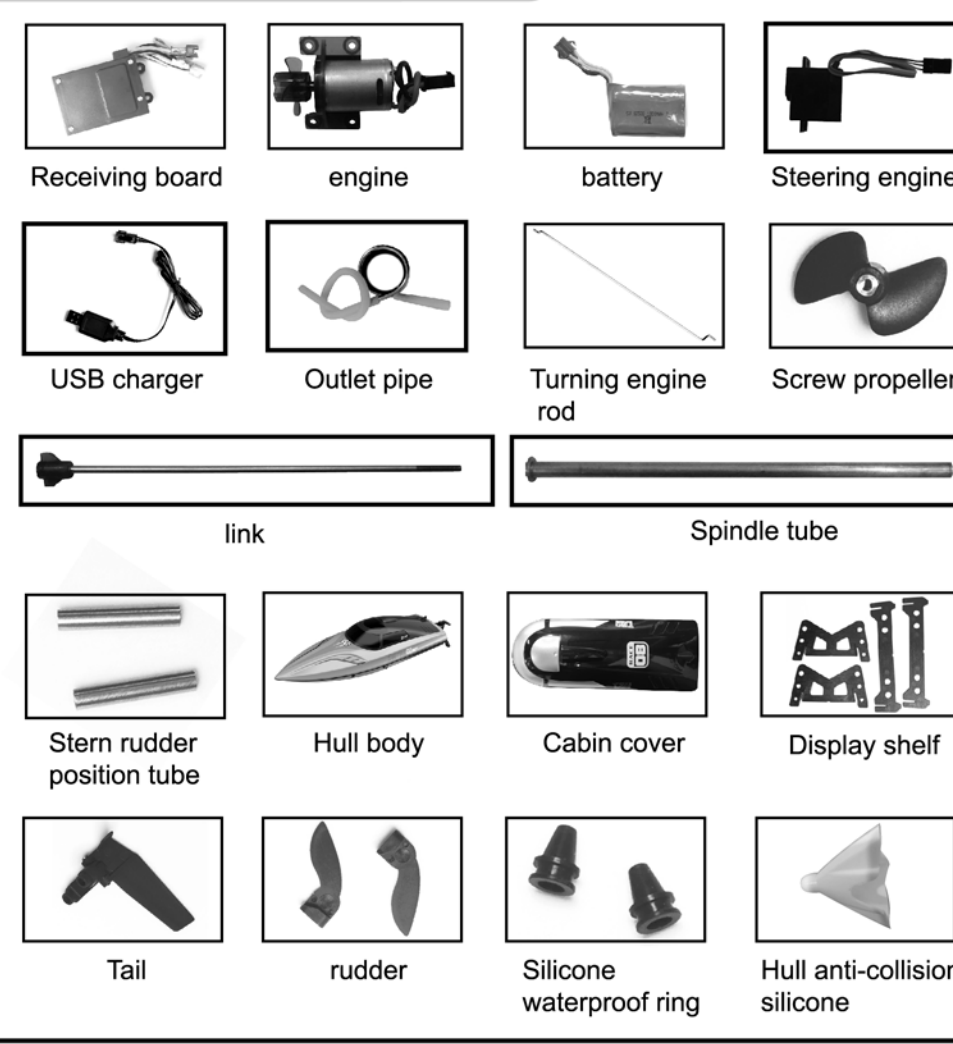
Remote control instructions

- Forward**
Push the throttle lever backwards and the boat moves forward.
- Backward**
Push the throttle stick forward and the boat moves backward.
- Turn left**
Push the steering wheel to the left when the boat is moving, the boat will turn left.
- Turn right**
Push the steering wheel to the right when the boat is moving, the boat will turn right.
- Left fine-turning button**
When the sailing ship automatically deflects to the right, if the operator presses the left fine-tuning button on the remote control, the ship will slowly return to the left until a direct flight is achieved.
- Right fine-turning button**
When the sailing ship automatically deflects to the left, if the operator presses the right fine-tuning button on the remote control, the ship will slowly return to the right until a direct flight is achieved.

- 7. Autopilot mode**
Press the autopilot button on the remote control, it will automatically drive. Short press: "0" route demo. Long press: "8" route demo. Press any button on the remote control again to exit the autopilot mode. Please operate this product in an open area.
- 8. High / Low speed setting**
Fast and slow gear switchover. "DI": Low speed mode. "DI-DI": High speed mode.
- 9. LED lighting control**
The remote control LED light control button, press the hull LED light off, press again, the light is always on.

- ### maintenance
- When the hull is finished sailing, please take out the lithium battery from the hull.
 - The hull surface should avoid prolonged exposure to the sun to eliminate the situation of paint peeling. After use, wipe the hull clean with a dry cloth.
 - If this product is not going to be used for a long time, please remove the control battery to avoid battery leakage, thus avoiding damaging the remote controller.

Accessories description



APPEND MANUAL

Produce name: RC TOY
Model: 2008
Manufacturer: GUANGDONG HENGDI TECHNOLOGY CORP., LTD.
Address: THE WEST OF NINGCHUAN ROAD AND THE SOUTH OF HUANCUI ROAD, CHENGHAI ZONE, SHANTOU CITY, GUANGDONG PROVINCE, CHINA
NOTE: This equipment has been tested and found to comply with the limits for a Class B digital device, pursuant to part 15 of the FCC Rules. These limits are designed to provide reasonable protection against harmful interference in a residential installation. This equipment generates, uses and can radiate radio frequency energy and, if not installed and used in accordance with the instructions, may cause harmful interference to radio communications. However, there is no guarantee that interference will not occur in a particular installation. If this equipment does cause harmful interference to radio or television reception, which can be determined by turning the equipment off and on, the user is encouraged to try to correct the interference by one or more of the following measures: —Reorient or relocate the receiving antenna. —Increase the separation between the equipment and receiver. —Connect the equipment into an outlet on a circuit different from that to which the receiver is connected. —Consult the dealer or an experienced radio/TV technician for help.
This device complies with part 15 of the FCC Rules. Operation is subject to the following two conditions: (1) This device may not cause harmful interference, and (2) this device must accept any interference received, including interference that may cause undesired operation.
Any changes or modifications not expressly approved by the party responsible for compliance could void the user's authority to operate the equipment.

SHADOW STORM



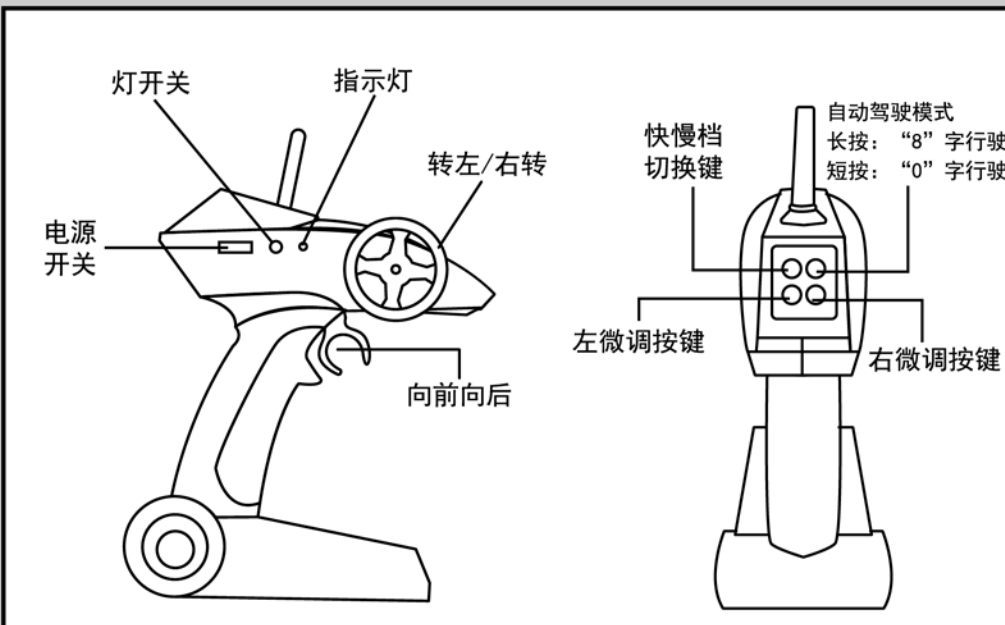
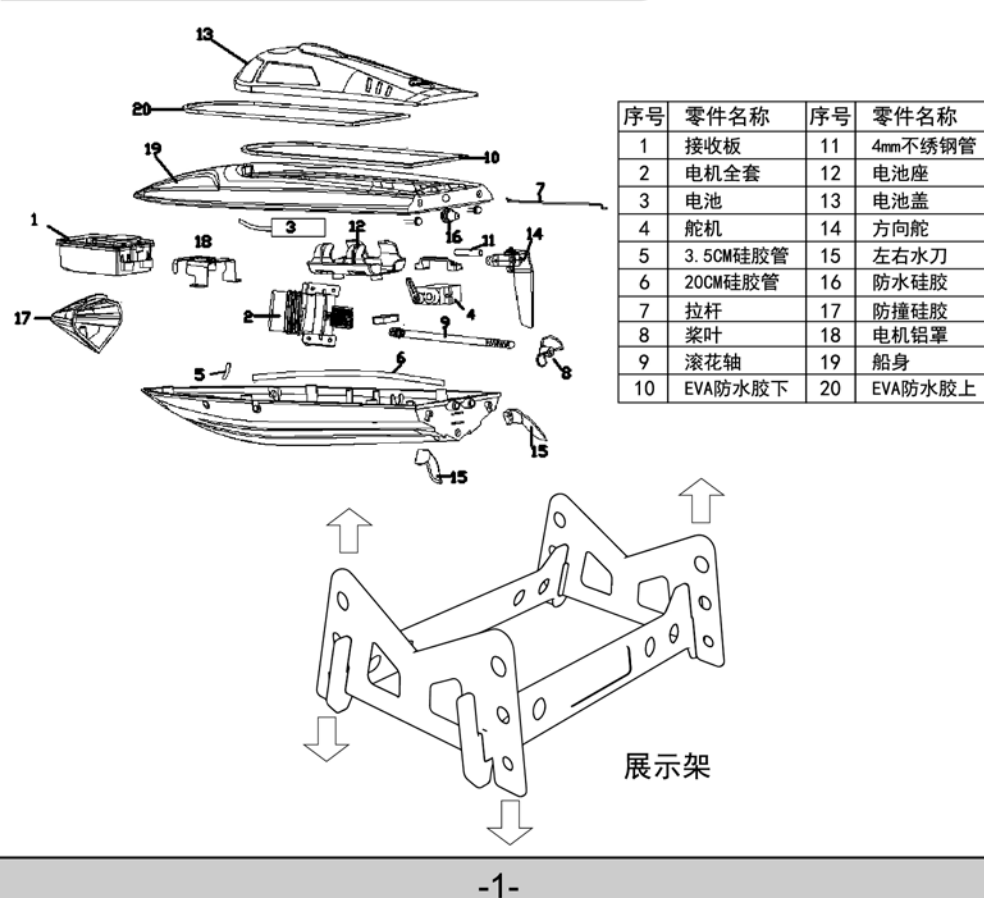
2.4G遥控船操作说明

- 本产品采用370强磁驱动系统，采用先进的2.4G频率连接技术，遥控距离更远。
- 高性能锂电池配置7.4V1200MAH，时速20-25KM/H，行驶时间大约15分钟
- 自动翻转：不倒翁设计，船自带翻功能，永不翻船。
- 电机冷却系统：延长了模型的使用寿命。
- 具有左右导航舵：增强了稳定性。
- 低电压报警功能：当电压不足时，遥控器会发出报警。（警报声响起后，请立即将船退回。防止模型停电。）

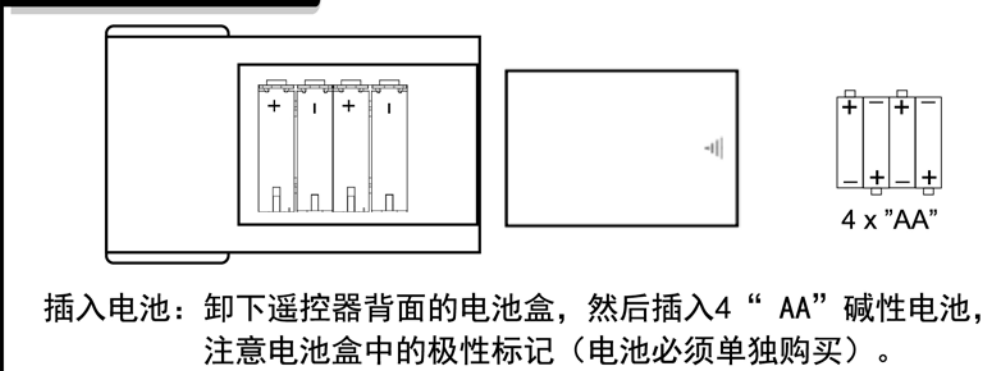
警告

- 本产品适用于8岁以上的人群。只有在成人的监督下才能操作本产品。
- 完成航行，直到电池冷却后才能立即给电池充电。
- 船舶航行时，请确保该区域无人。水中不可有水生或碎屑，避免螺旋桨被钩住或损坏船舶。
- 本产品有些细小部分，请勿吞咽，以免造成窒息危险。
- 请与空的高速旋转螺旋桨保持一定距离，以免发生地面伤害的危险。
- 电机是高温部件，请勿触摸，以免引起烫伤危险。
- 定期检查USB电缆和其他零件是否损坏，如果有损坏，应停止使用直至维修完好。
- 船模航行时，请首先注意安全，如果对船模失去控制，必须选择安全可靠的方法取回，绝对不能在没有任何安全保护的情况下下水取回船模。

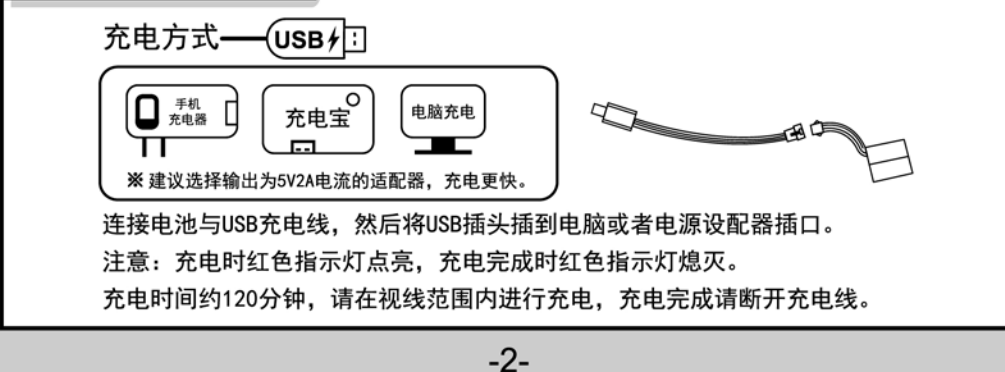
遥控船主要结构图



遥控器电池安装

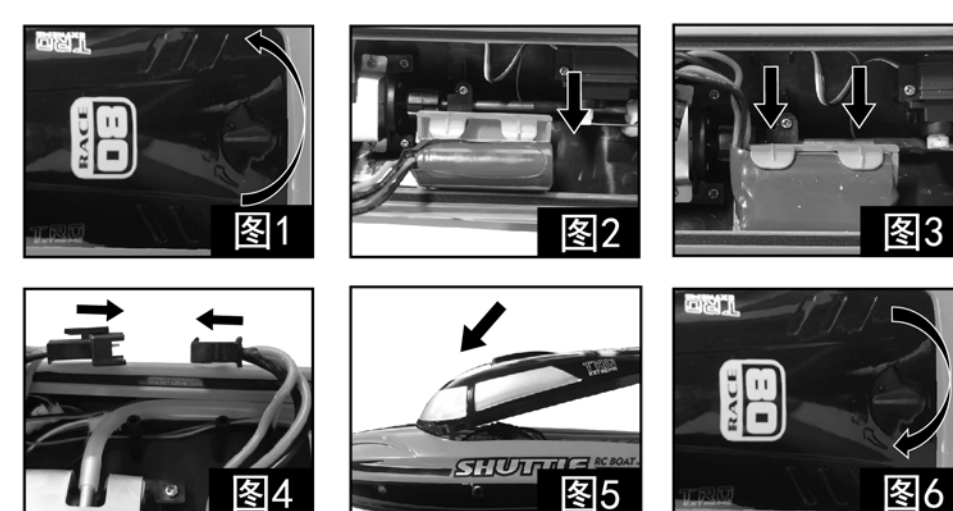


电池充电



- 按正确的极性安装电池。
- 请勿混用新旧电池。
- 请勿混用其他类型的电池。
- 不可充电的电池无法充电。
- 可充电的电池必须在成人的监督下进行充电。
- 电源端子不得短路。
- 无法连接超过建议数量的电源。
- 请务必使用本公司配送的USB充电线对原厂电池进行充电，否则造成的后果概不负责。
- 应从玩具中取出耗尽的电池。

船舱电池安装步骤



- 如图旋转机舱开关，打开机舱盖。
- 将锂电池安装在船舱的电池座中。
- 确保锂电池紧扣在电池座中。
- 连接电池和电源线插头。
- 如图将机舱盖45°角插入安装到船体上。船头套柱对准船底孔位，将其装到位即可。
- 如图旋转机舱开关，直到锁紧机舱盖。

操控前的对频

电池安装完成后，将船体放入水中。（注：船需要在水中才能导电），此时船上的LED灯闪烁，然后打开遥控器电源开关，遥控器电源指示灯闪烁并发出 "DI" 一声，船主体和遥控器的灯由闪烁变为常亮，此时对频成功，即可开始进行操控。

遥控器操控说明

- 向前**
油门杆向后推动，船向前行驶。
- 向后**
油门杆向前推动，船向后行驶。
- 向左转**
船行驶时向左推方向盘，船向左转。
- 向右转**
船行驶时向右推方向盘，船向右转。
- 左微调按钮**
当航行中的船自动向右偏转时，按下遥控器上的左微调按钮，船将缓慢向左回位，直到直航为止。
- 右微调按钮**
当航行中的船自动向左偏转时，按下遥控器上的右微调按钮，船将缓慢向右回位，直到直航为止。

- 7. 自动驾驶模式**
短按遥控器的自动驾驶模式按键，船体会自动来回 "0" 字行驶。长按遥控器的自动驾驶模式按键，船体会自动来回 "8" 字行驶。再按下遥控器任意按键退出自动驾驶模式。此操作请在空旷水面进行。
- 8. 速度快慢切换**
快慢档切换键。"DI" 一声为慢速。"DI-DI" 两声为快速。
- 9. LED灯光控制**
灯开关。遥控器LED灯光控制按键，按一下船体LED灯灭，再按一下灯常亮。

- ### 保养
- 当结束航行时请取出船体锂电池。
 - 船体表面应避免长时间暴晒以免脱落。使用后请用干布擦拭干净。
 - 如长时间不使用本产品，请取出遥控器电池以免电池漏液损坏遥控器。

配件说明

