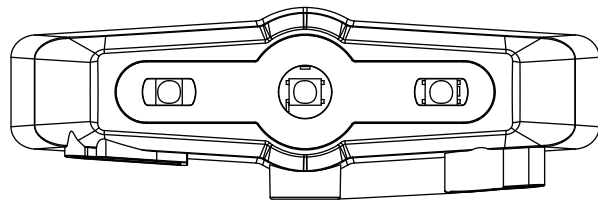




# BT-MOTO HELMET BLUETOOTH HEADSET

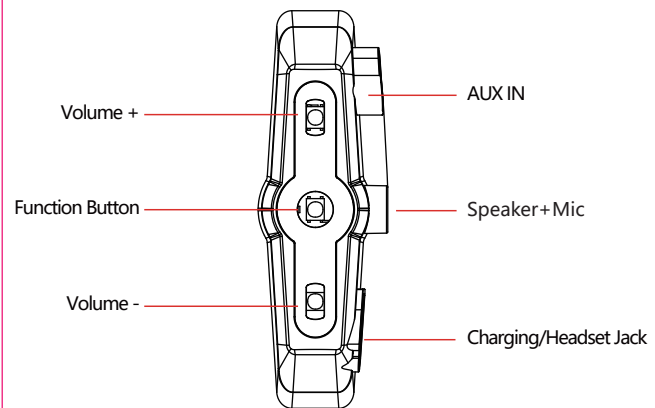
8



User Manual

## BT-MOTO Operation Manual

### 1.Outlook



01

### 2.Functions

Functions	Status	Operation Instructions
Power On	--	Long press function button 2s
Power Off	--	Short press volume - and function button
Pairing	--	Long press function button 7s
Pick Up	Phone call coming	Short press function button
Hang Up	Phone call	Short press function button
Reject	Phone call coming	Long press function button 1s
Re-dial	Stand-by	Double press function button
Volume -	Phone call/Music Play	Short press volume -
Volume +	Phone call/Music Play	Short press volume +
Previous	Music Play	Long press volume -
Next	Music Play	Long press volume +
Play/Pause	Music Play	Short press function button
Voice Prompt	Power On / Power Off / Link / Low battery	

### 3.Statement / Warranty

#### 3.1 FCC Statement

Changes or modifications not expressly approved by the party responsible for compliance could void the user's authority to operate the equipment. This equipment has been tested and found to comply with the limits for a Class B digital device, pursuant to Part 15 of the FCC Rules. These limits are designed to provide reasonable protection against harmful interference in a residential installation. This equipment generates uses and can radiate radio frequency energy and, if not installed and used in accordance with the instructions, may cause harmful interference to radio communications. However, there is no guarantee that interference will not occur in a particular installation. If this equipment does cause harmful interference to radio or television reception, which can be determined by turning the equipment off and on, the user is encouraged to try to correct the interference by one or more of the following measures:

02

- Reorient or relocate the receiving antenna.
  - Increase the separation between the equipment and receiver.
  - Connect the equipment into an outlet on a circuit different from that to which the receiver is connected.
  - Consult the dealer or an experienced radio/TV technician for help
- This device complies with part 15 of the FCC rules. Operation is subject to the following two conditions  
 (1) this device may not cause harmful interference, and (2) this device must accept any interference received, including interference that may cause undesired operation. This device has been evaluated to meet general RF exposure requirement. The device can be used in portable exposure condition without restriction.

### 3.2 Warranty

In normal use, we offer one year warranty from the date of purchase, any disassemble, modification will void warranty.

#### Warranty Card

Production Date		Customer Name	
Purchase Date		Customer Tel	
Dealer Name		Customer E-mail	
Item No.		Remark	

03