

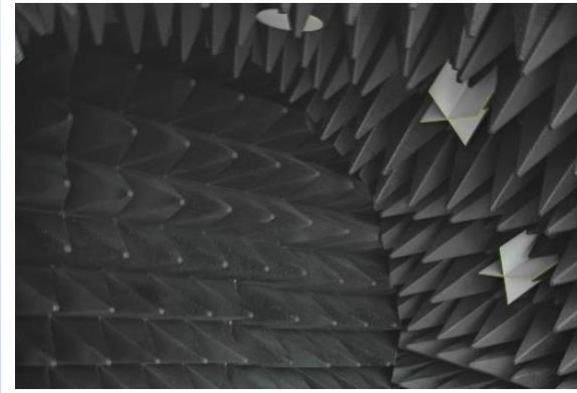
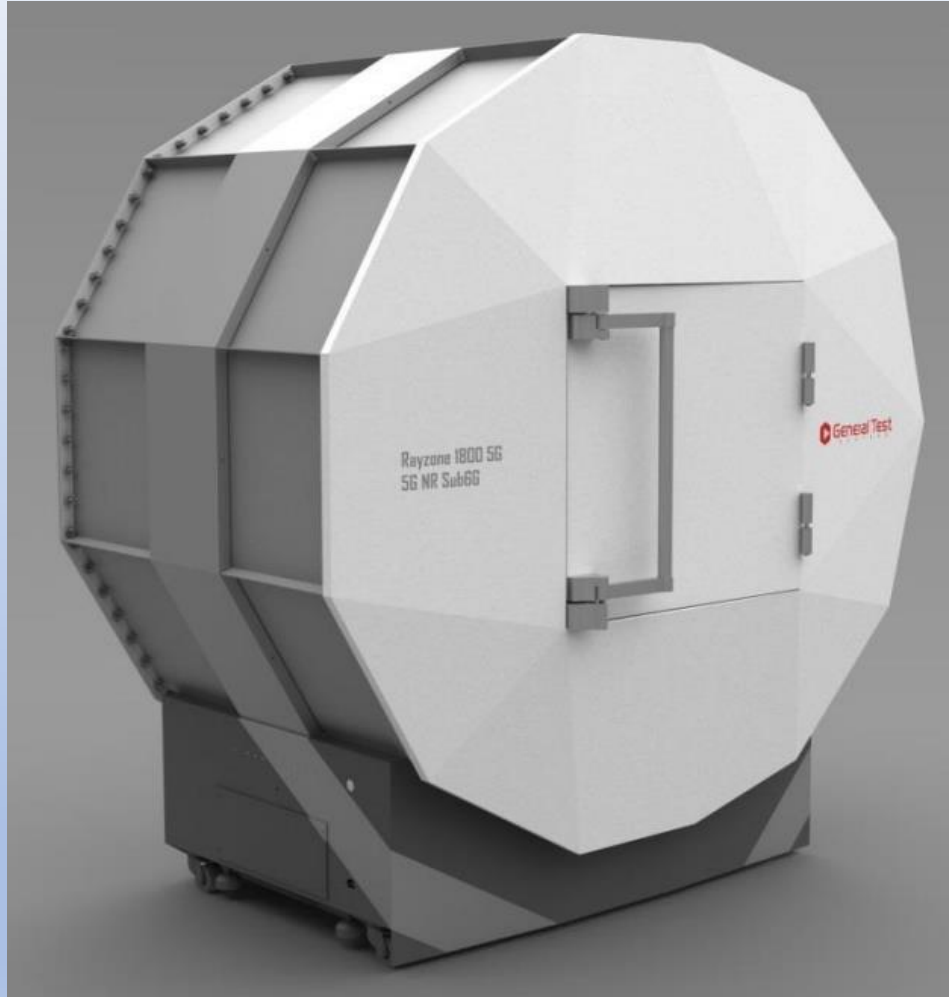


SHENZHEN HANYANG ANTENNA DESIGN CO. LTD.

Client: CDTECH

2.4G Ant test report

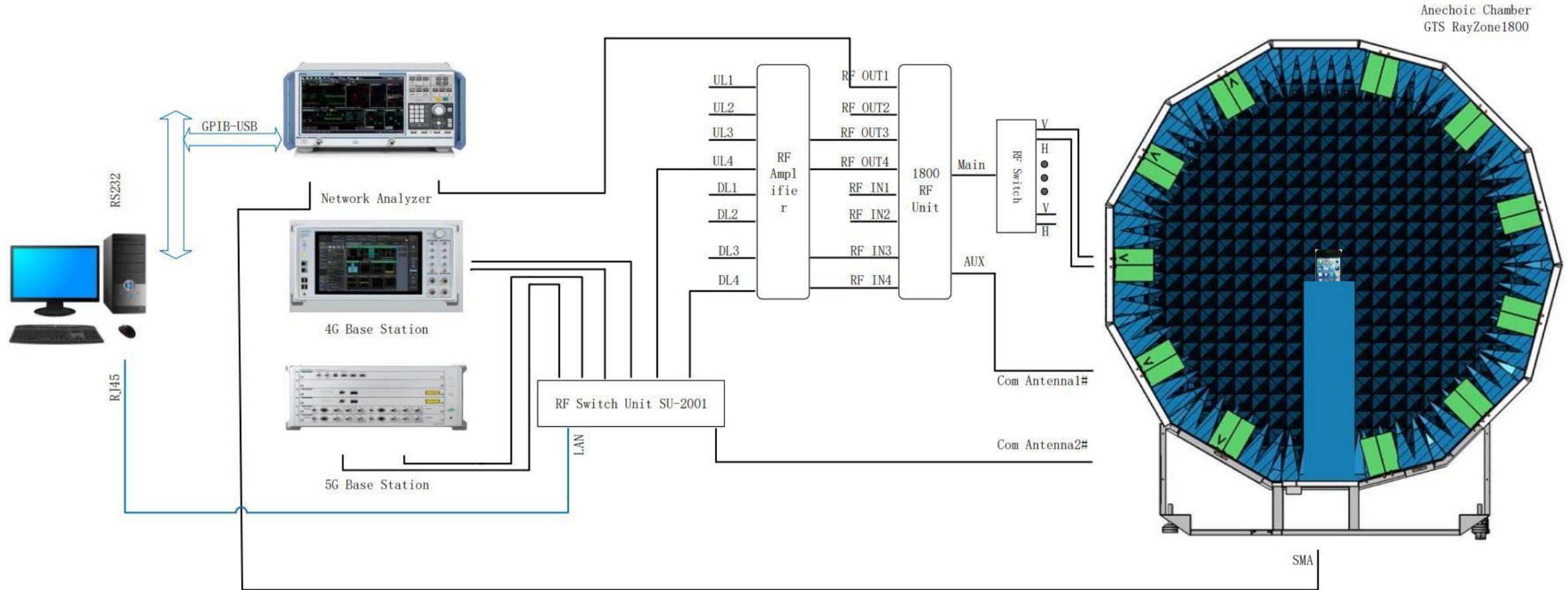
Date: **2023.10.10**

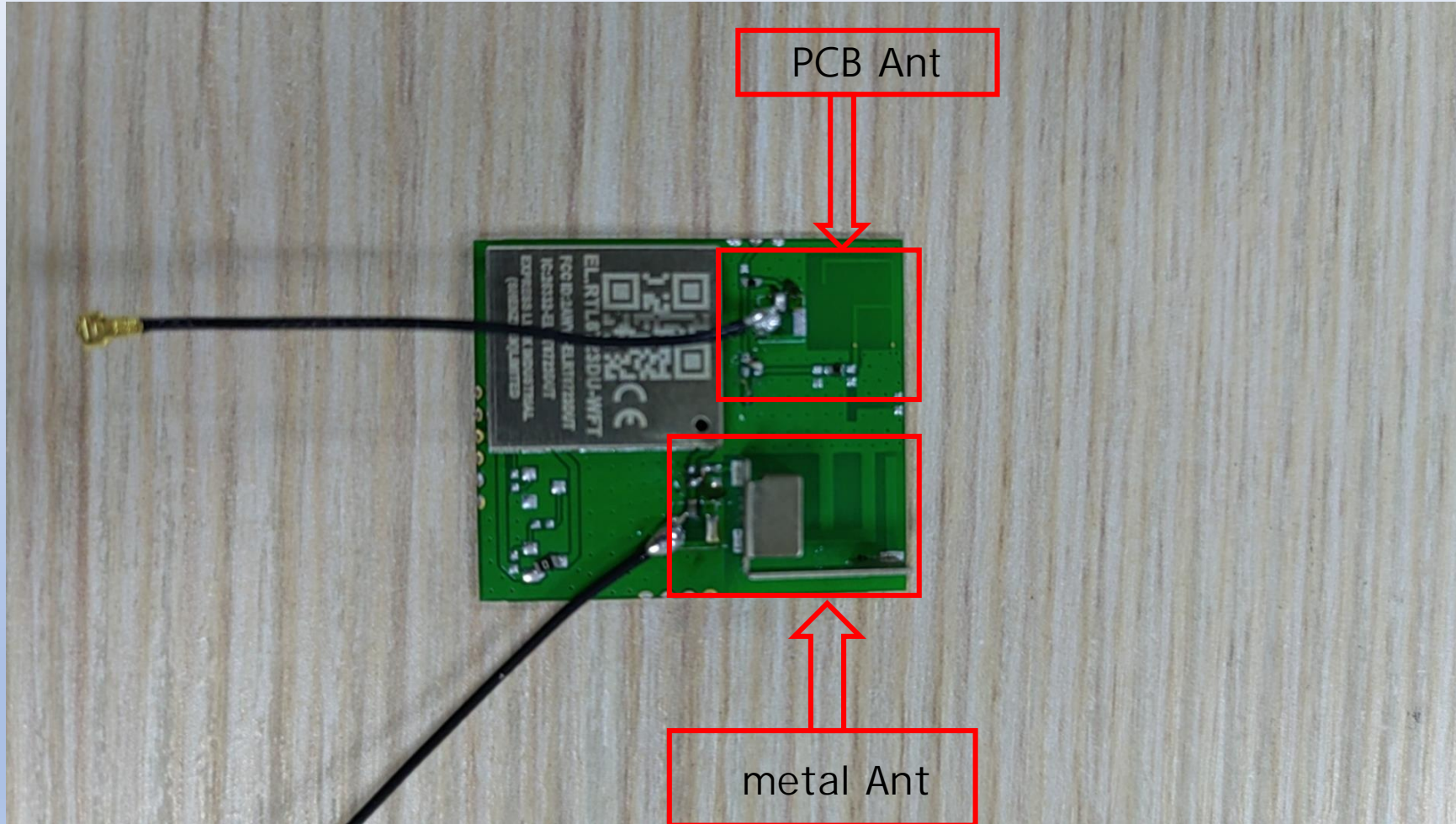


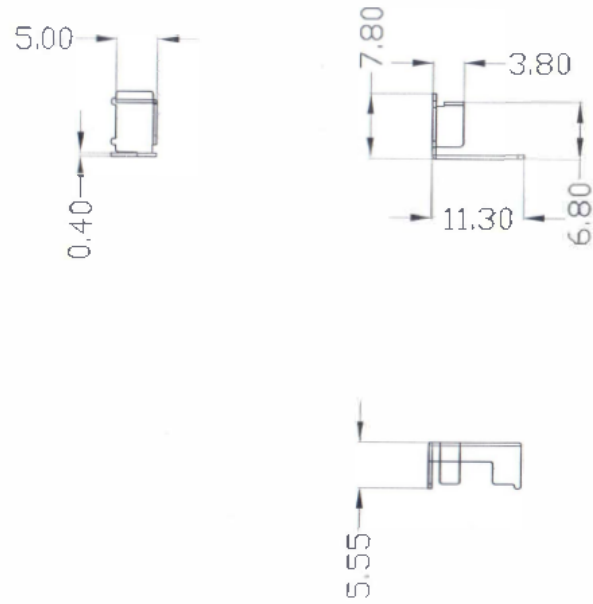
- Wireless communication standards:
2G/3G/4G/5G(FR1)/GNSS/A-GNSS/Wi-Fi/Bluetooth iot communication standards: LTE Cat NB1(NB-IoT)/ CAT-M1 (e-MTC)SISO test
- TRP/TIS/EIRP/EIS, 2x2 MIMO throughput test;
- Passive antenna test, Desense test, ICS
- Support 600MHz-7.5GHz band
- GTS MaxSign 100 test software supports antenna /OTA testing, provides visual data analysis new EPP hard and environmentally friendly absorbing materials, low RCS and high gain measurement antenna set, wave transmission turntable and jig fast MIMO testing; Certification level test
- accuracy integrated design, plug and play, easy maintenance



RayZone1800 Test Setup

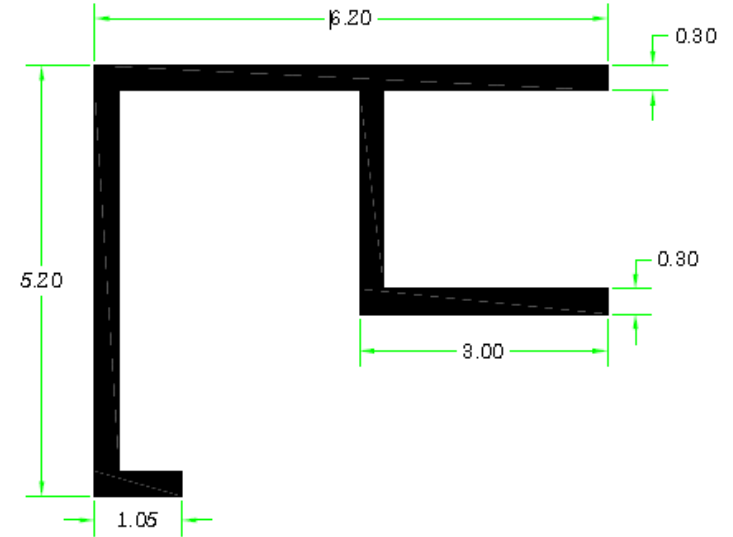






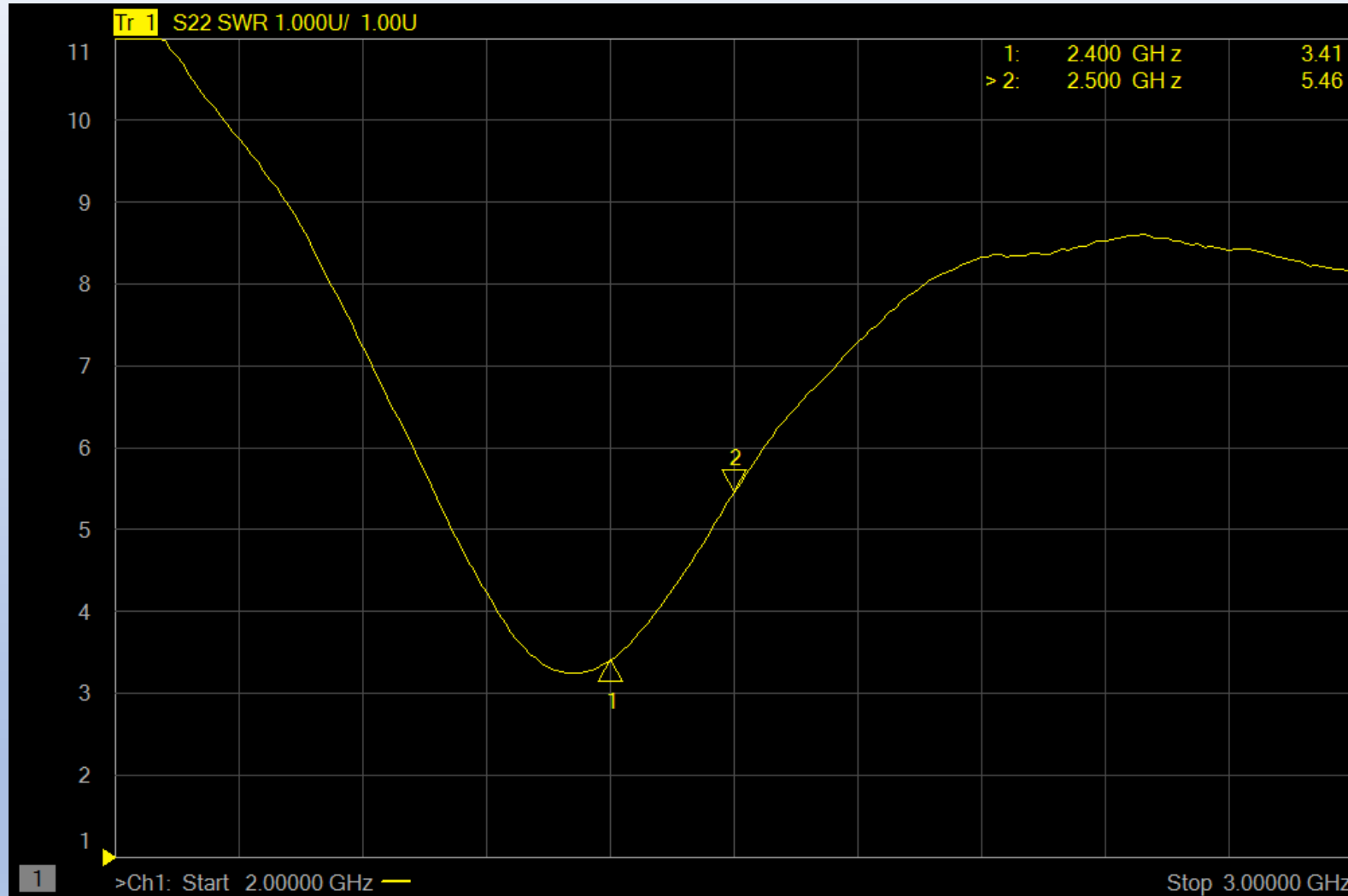
Unit: mm

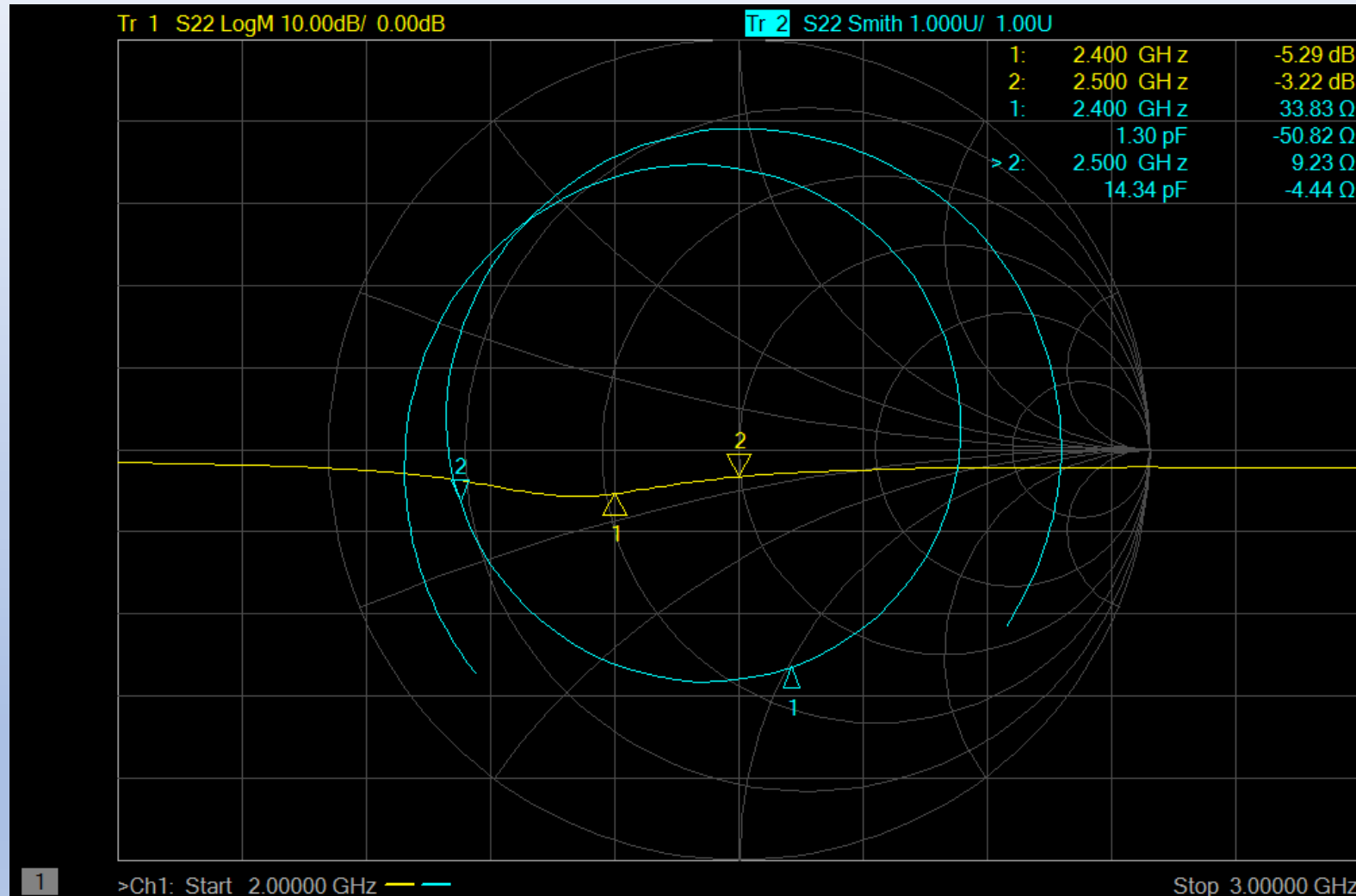
Metal Ant



Unit: mm

PCB Ant





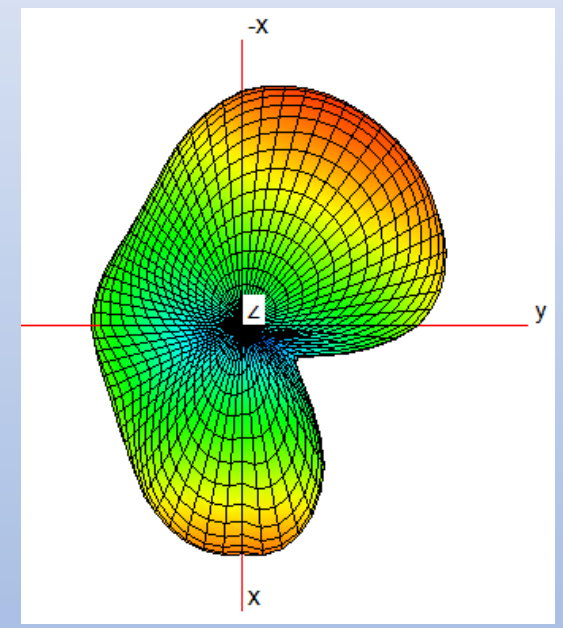
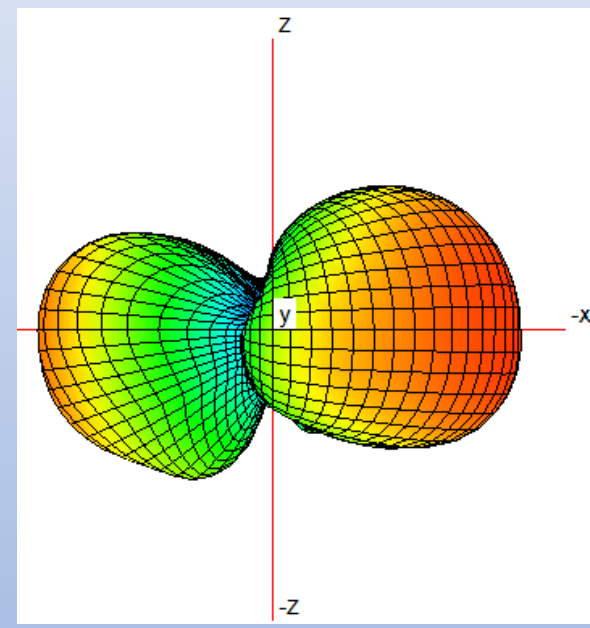
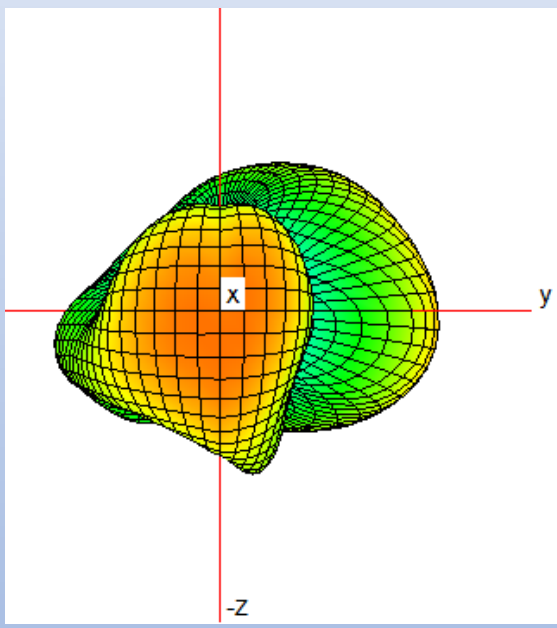
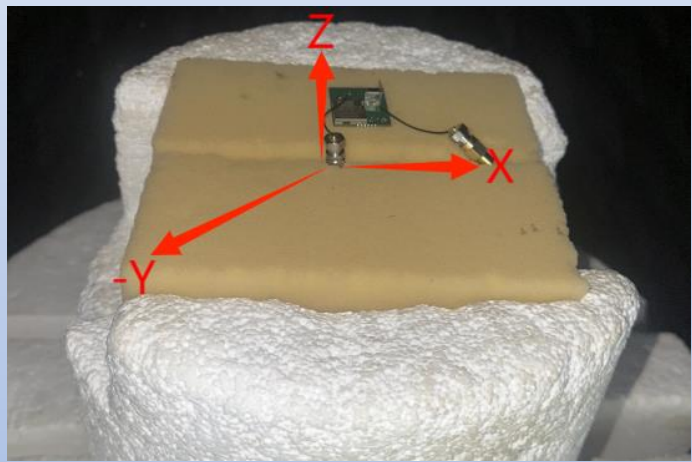


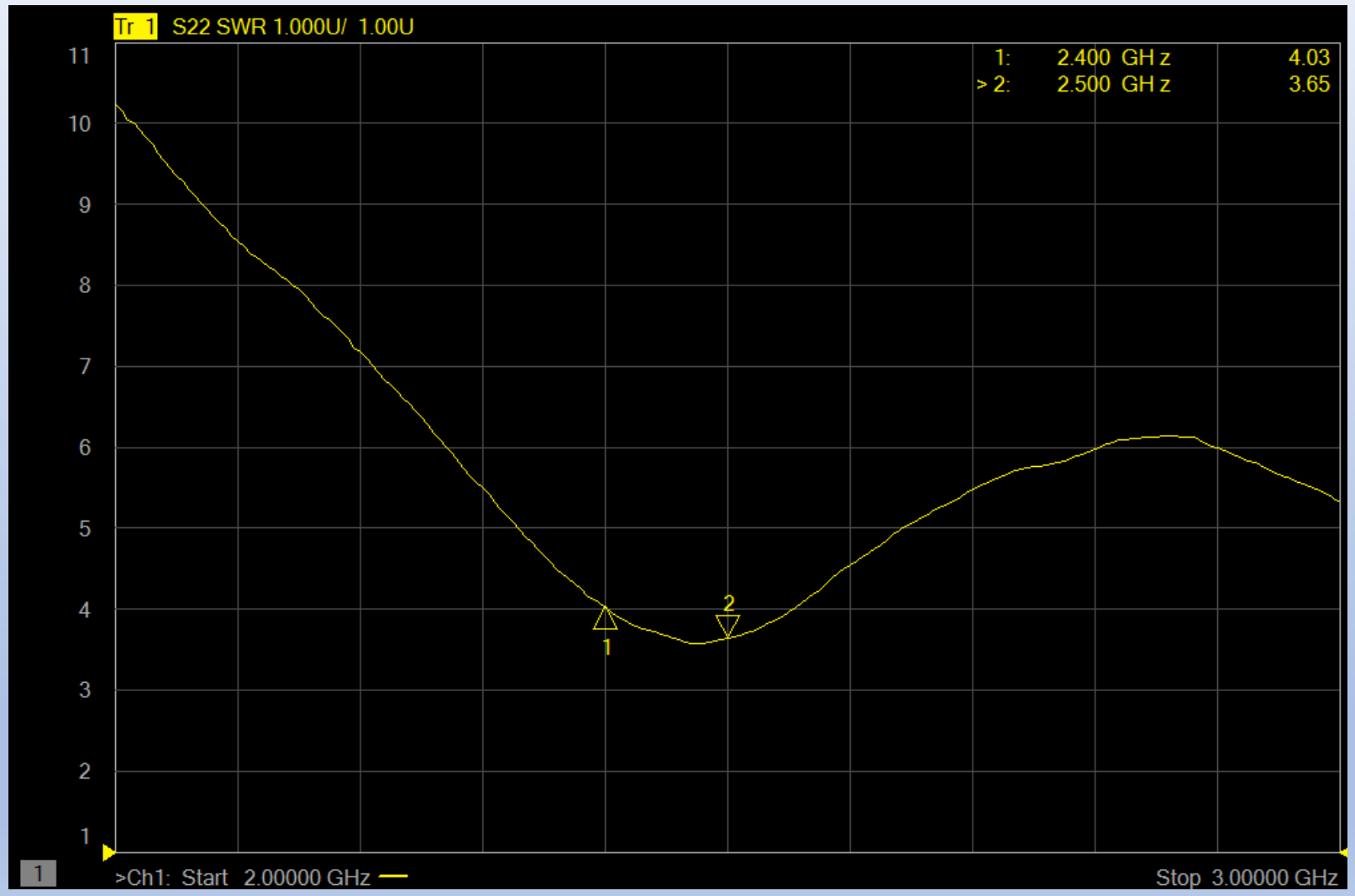
Freq	Efficiency_dB	Gain dBi	Efficiency_Pcent %
2400	-9.74	-6.49	10.61
2410	-9.92	-6.73	10.18
2420	-10.13	-6.93	9.69
2430	-10.29	-7.08	9.36
2440	-10.47	-7.23	8.98
2450	-10.81	-7.6	8.3
2460	-11.07	-7.87	7.82
2470	-11.33	-8.1	7.36
2480	-11.53	-8.29	7.02
2490	-11.74	-8.48	6.69
2500	-12.06	-8.79	6.22

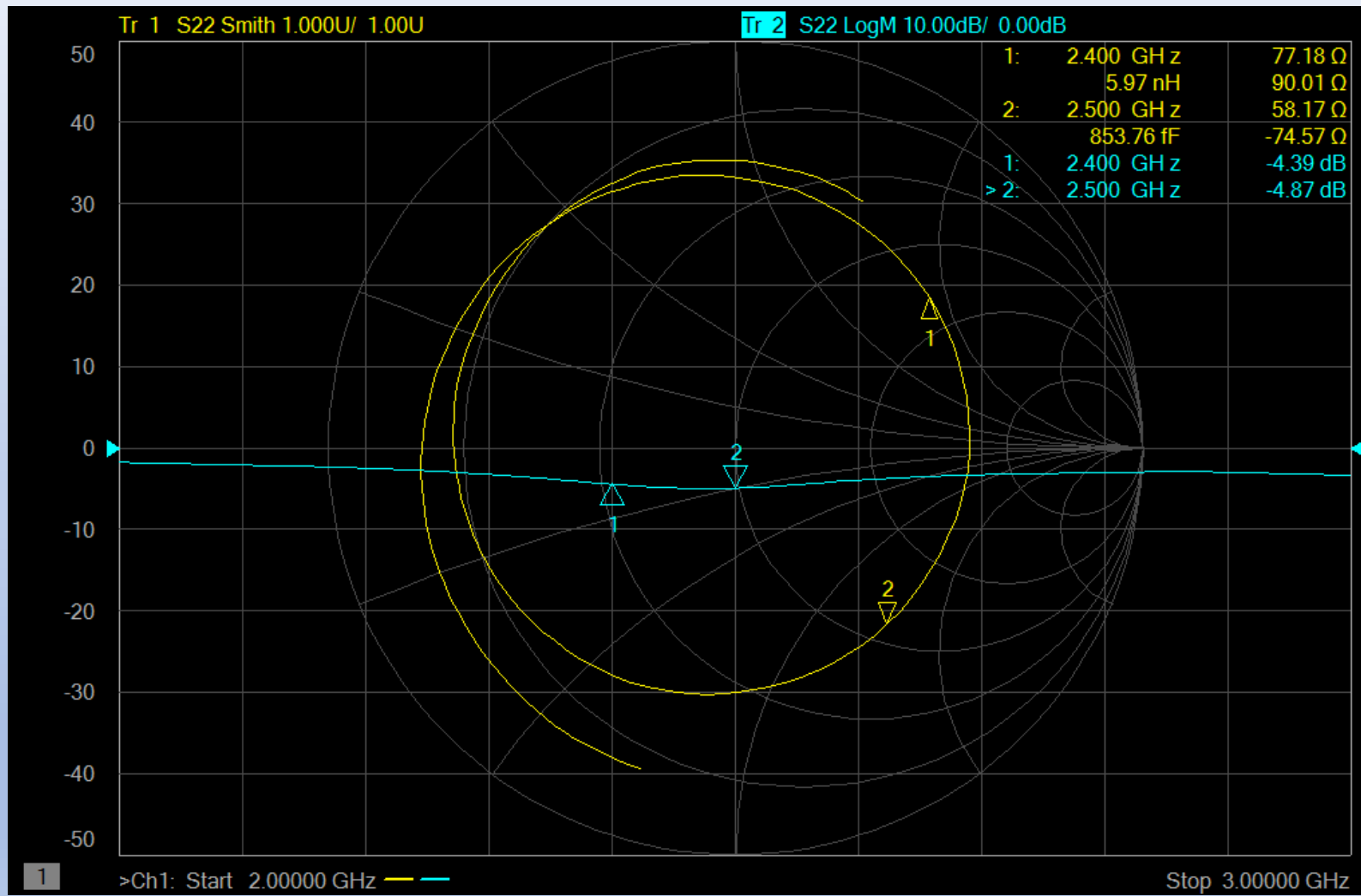
PCB Ant - 3D radiation pattern



2450MHZ



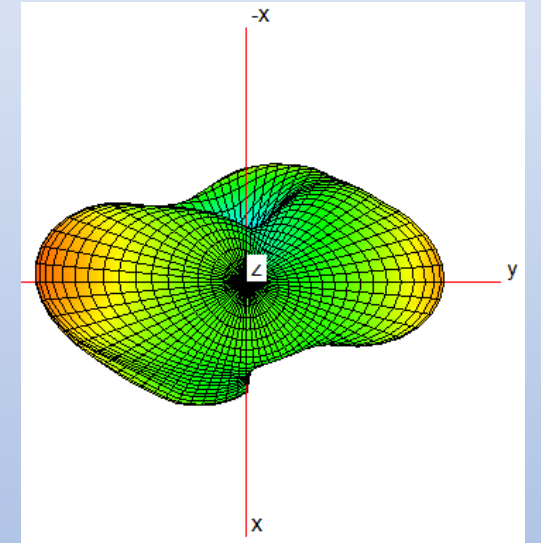
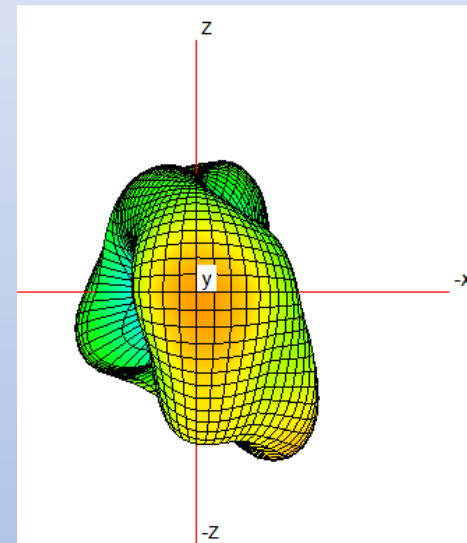
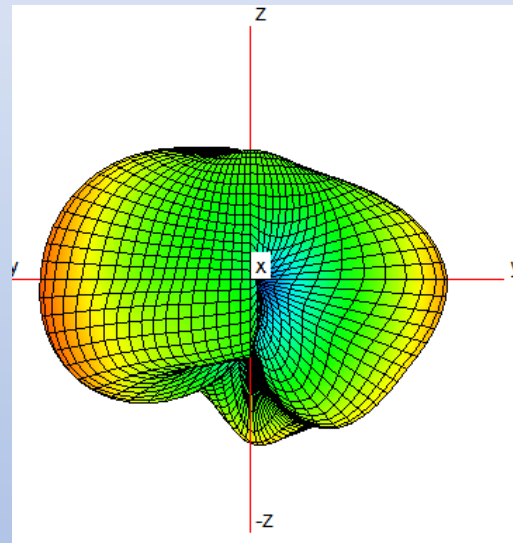
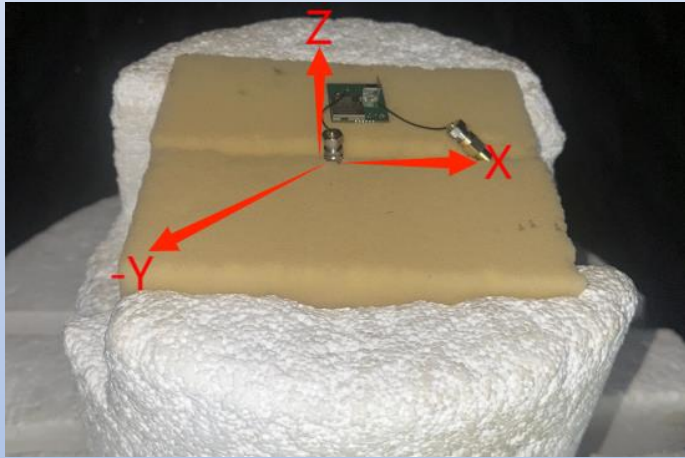






Freq	Efficiency_dB	Gain dBi	Efficiency_Pcent %
2400	-6.27	-3.25	23.61
2410	-6.48	-3.61	22.5
2420	-6.48	-3.83	22.5
2430	-6.42	-3.96	22.82
2440	-6.22	-3.81	23.89
2450	-6.08	-3.61	24.65
2460	-6.03	-3.55	24.97
2470	-5.99	-3.54	25.17
2480	-6.04	-3.57	24.9
2490	-6.05	-3.64	24.83
2500	-6.03	-3.63	24.95

2450MHZ





5G

Welcome calls consultations, negotiations and guidance come!

Thank you