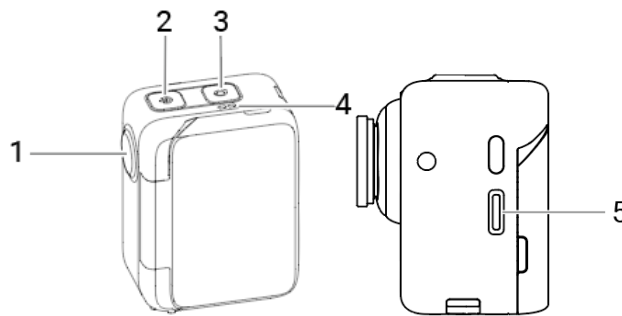


fan yiInsta360 GO 3 Action Pod

Specifications

Name	Charge Case
Model	CINSBBKA
Input	5V=2A
USB Cable	Type A to Type C Cable
Operation Temperature	-20°C - 40°C
Bluetooth	
Operation Frequency	Bluetooth: 2402~2480MHz
Output Power (E.I.R.P.)	< 10dbm
Battery Model	581950PF4-2P
Capacity	1270 mAh
Energy	4.89 Wh

Name of Parts



1. Shutter Button 2. Power Button 3. Q Button 4. Speaker 5. Type-C Interface

Charging

Charging, power on

Use the USB cable included in the package to connect the Type-C interface of the GO3 expansion compartment to the USB-A charger. When charging with the power off, the status indicator light of the expansion compartment will be red during charging, and the status indicator light will be off when fully charged.

Camera charging time, Put the GO 3 camera in the expansion compartment, the indicator light of the main unit will be solid red during charging, and it will turn off when the corresponding module is fully charged. When all the lights are off, the charging is usually completed and the battery is fully charged;

Preview

The expansion compartment realizes the preview function of the GO 3 camera.

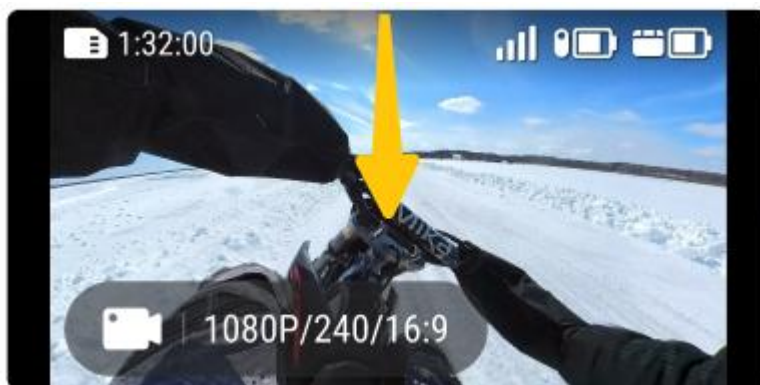
Touch screen operation

After the camera is turned on, the touch screen displays the camera shooting interface, and the menu bar displays information such as shooting mode, battery power and storage capacity. Perform functional operations by clicking or sliding the touch screen.



Click

Tap the screen to hide/show information on the touch screen.



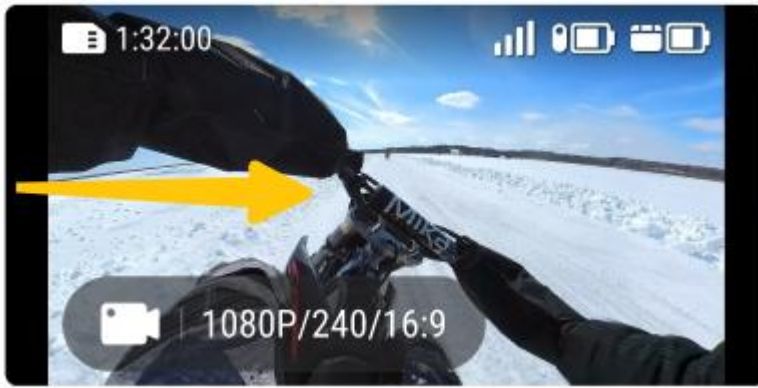
Slide down from the top edge

Slide down from the top edge to access the camera settings.



Swipe the center of the screen left and right

Switch shooting modes.



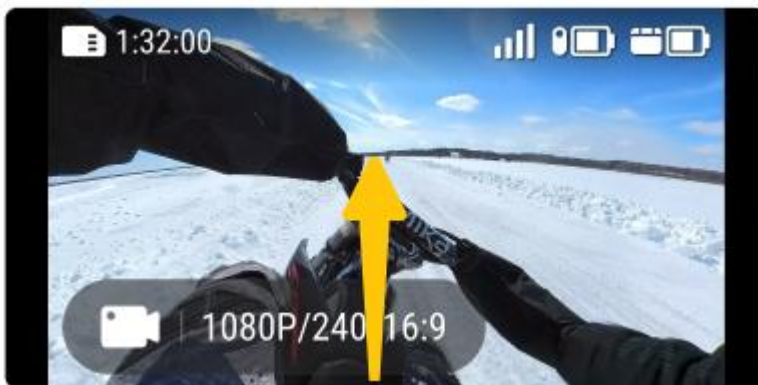
Swiperight from the left edge

Go to album page



Swipe left from the right edge

Enter shooting parameter settings.



Slide up from the bottom edge

Enter shooting parameter settings.

FCC Statement

This equipment has been tested and found to comply with the limits for a Class B digital device, pursuant to Part 15 of the FCC Rules. These limits are designed to provide reasonable protection against harmful interference in a residential installation. This equipment generates uses and can radiate radio frequency energy and, if not installed and used in accordance with the instructions, may cause harmful interference to radio communications. However, there is no guarantee that interference will not occur in a particular installation. If this equipment does cause harmful interference to radio or television reception, which can be determined by turning the equipment off and on, the user is encouraged to try to correct the interference by one or more of the following measures:

- Reorient or relocate the receiving antenna.
- Increase the separation between the equipment and receiver.
- Connect the equipment into an outlet on a circuit different from that to which the receiver is connected.
- Consult the dealer or an experienced radio/TV technician for help.

This device complies with part 15 of the FCC Rules. Operation is subject to the following two conditions:

(1) This device may not cause harmful interference, and (2) this device must accept any interference received, including interference that may cause undesired operation.

Changes or modifications not expressly approved by the party responsible for compliance could void the user's authority to operate the equipment.

The device has been evaluated to meet general RF exposure requirement. The device can be used in portable exposure condition without restriction.