

Antenna Specification

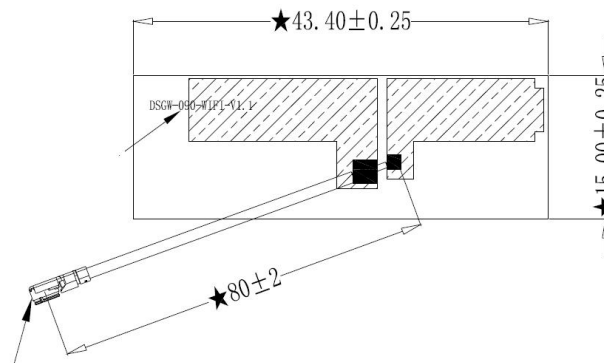
Specifications

Summary

ITEM	SPEC.
Model Name	DSGW-090-WIFI
Center Frequency	2440MHz
MAX. GAIN	0.95 dBi
Polarization	Horizontal
Azimuth Beam Pattern	Omni-directional
Impedance	50 Ω
Antenna Length	43 mm
BRAND	DUSUN
ANTENNA TYPE	FPC
Connect type	IPEX

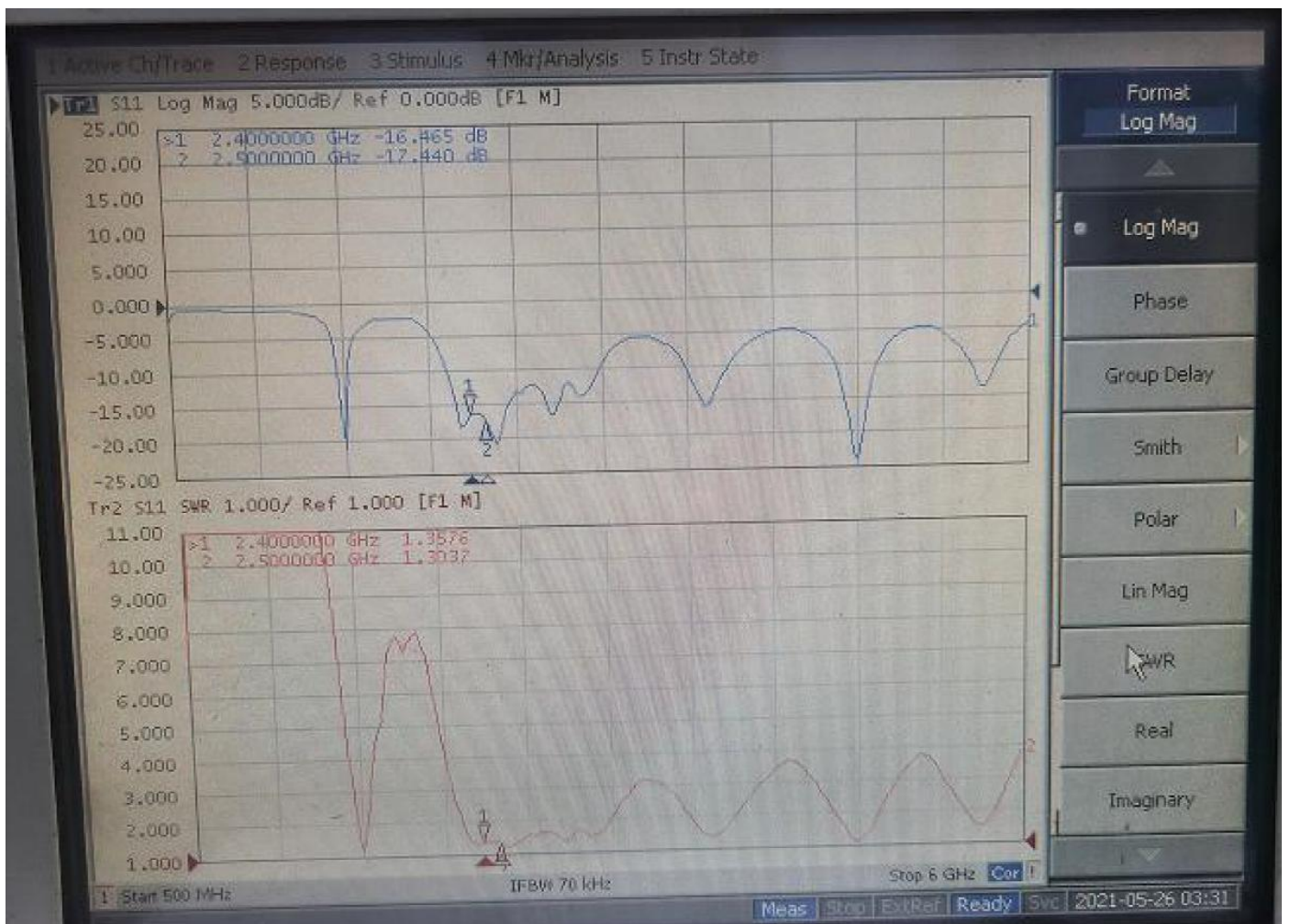
Antenna Photo & Length

43.4mm*15mm



VSWR:

2440Mhz VSWR = 1.3



Gain and efficiency

Freq(MHz)	Gain(dBi)	Efficiency(dB)	Efficiency(%)
2400	0.95	-3.58	43.81
2410	0.89	-3.64	43.30
2420	0.71	-3.66	43.01
2430	0.65	-3.66	43.10
2440	0.65	-3.63	43.40
2450	0.81	-3.42	45.45
2460	0.88	-3.34	46.33
2470	0.72	-3.20	47.87
2480	0.59	-3.17	48.19
2490	0.48	-3.10	48.97
2500	0.24	-3.23	47.59