

Portable Speaker

Model: X9608001007

User Manual



INSTRUCTION FOR USER AND CARE

Dear Customer.

Thank you for purchasing this product. We kindly ask you to read and save this instruction manual for future reference. Please read all the instructions before using this speaker.

Accessories:

Please check if all the items below are included in your package:

- 1*Speaker
- 2*USB Charging Cable
- 1*Instruction Manual

Charging:

Plug the charging cable into the speaker and connect to another USB power source, such as a PC / MAC, etc.

Functions:

- TWS
- BLUETOOTH
- RECHARGEABLE BATTERY
- VOLUME +/-
- PLAY/PAUSE
- PREVIOUS / NEXT TRACK

Connection:

TWS connection (under Bluetooth Mode only):

Power on any two speakers at the same time (same model, same Bluetooth name). long press the “Previous Track”, after hearing a DINGDONG tone means two speakers connected successful, then use the external Bluetooth device to search “Breakaway” and connect to play together.

TWS disconnect: When the phone disconnects the Bluetooth connection, press and hold the “Previous Track” to disconnect TWS.

Bluetooth Connection:

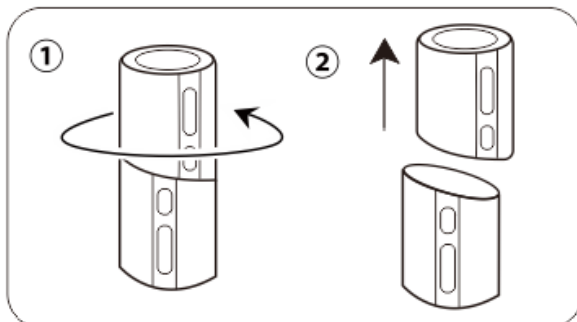
Long press power to boot mode

The speaker’s blue BT indicator will flash.

Search for “Breakaway” on your cellphone and select it once found. The speaker will issue a indicating tone after the speaker has successfully connected to the cell phone.

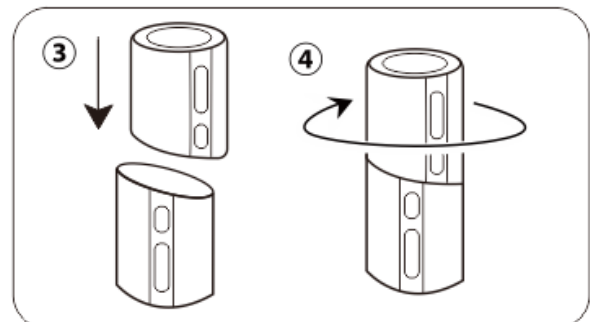
When Bluetooth is not connected, it will automatically shut down after 15 minutes.

• Disassemble way



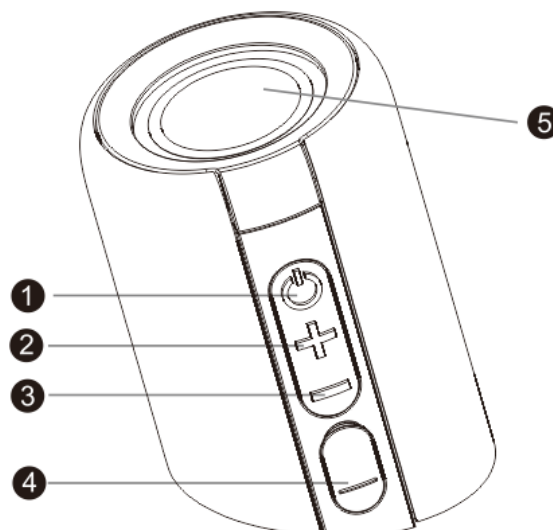
Rotate the top part to the right and leave the bottom part at an Angle of picture ① position to separate the two parts like the picture ②.

• Assemble way



Put an angle of the picture ③ position, connect the two parts together and rotate the top part to the left unit it locks like the picture ④.

Product Overview:



1.Power ON/OFF Switch

Long Press: Power ON/OFF Switch

Bluetooth Mode short press, play/pause.

FM Mode short press, automatic search.

Mode switching: Double-click the play button to switch the function mode.

Double-click twice in double-click for 0.8 seconds

Press once for 0.8 seconds for short press

2.+ Next Track/Volume Up Button

3.- Previous Track/Volume Down Button

4.Charging Port / LED Indicator

5.Speaker

Specification

Bluetooth version: V5.0

Power output: 2x5W

Input: DC 5V,1A

Driver: 2x52mm speaker

Battery capacity: 2 x 3.7V/1500mAh

Transmission Distance: 10M

Dimension: 220*80*80mm

IMPORTANT SAFEGUARDS:

1. Do not allow water to spill onto the surface or into the product.
2. This unit is not intended for use by persons (including children) with reduced physical, sensory or mental capabilities or lack of experience and knowledge unless they are supervised or given instruction concerning the use of the appliance by a person responsible for their safety.
3. Children should be supervised to ensure they do not play with the unit.
4. If the product surface is damaged or if there is a mechanical or electrical malfunction, do not use the unit. Contact the authorized service center immediately.
5. Do not shake the unit.
6. Do not place the unit in water.
7. Do not place the product in direct heat. This unit is to be placed in a dry and ventilated place.
8. Do not place heavy objects on the unit.
9. If the battery is completely flat, connect the USB charging cable to charge the unit.

Please note the unit may not work properly for the first couple of minutes of charging.

FCC NOTE: This equipment has been tested and found to comply with the limits for a Class B digital device, pursuant to part 15 of the FCC Rules. These limits are designed to provide reasonable protection against harmful interference in a residential installation. This equipment generates uses and can radiate radio frequency energy and, if not installed and used in accordance with the instructions, may cause harmful interference to radio communications. However, there is no guarantee that interference will not occur in a particular installation. If this equipment does cause harmful interference to radio or television reception, which can be determined by turning the equipment off and on, the user is encouraged to try to correct the interference by one or more of the following measures:

- Reorient or relocate the receiving antenna.
- Increase the separation between the equipment and receiver.
- Connect the equipment into an outlet on a circuit different from that to which the receiver is connected.
- Consult the dealer or an experienced radio/TV technician for help

Changes or modifications not expressly approved by the party responsible for compliance could void the user's authority to operate the equipment.

This device complies with Part 15 of the FCC Rules. Operation is subject to the following two conditions:

- (1) this device may not cause harmful interference, and
- (2) this device must accept any interference received, including interference that may cause undesired operation.