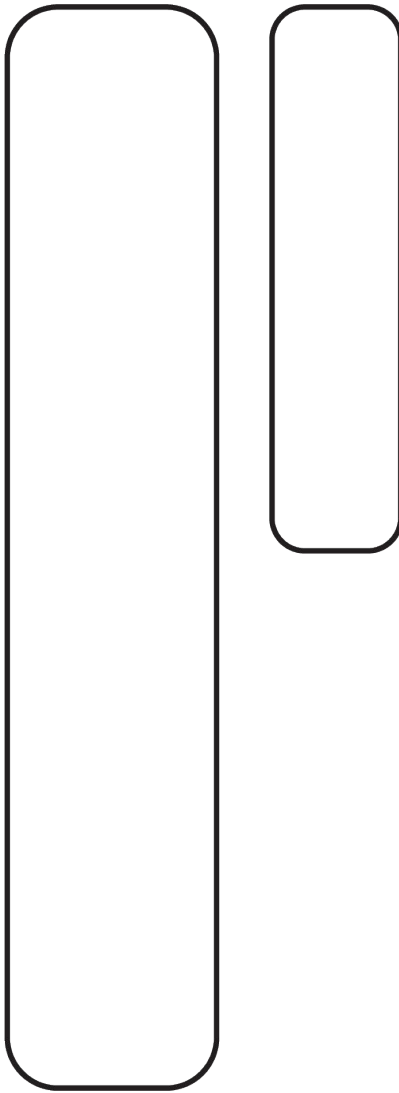


Install Guide

BR31 Wireless Door Sensor



Document

Document Details

v1.0 (20210929)

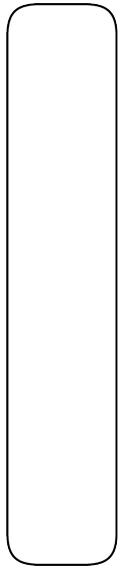
(v1.0 first published 20210929)

Firmware

Firmware version can be verified on
Verkada Command command.verkada.com.



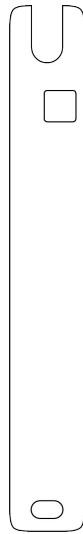
What's in the box



1x Sensor Module



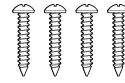
1x Magnet Module



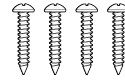
1x Sensor Module Mounting Tape



1x Magnet Module Mounting Tape



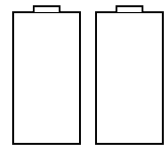
4x Wood Screws



4x Sheet metal Screws



1x T10 Security Torx L key



2x CR123A batteries

What you'll need

- BH61 Wireless Alarm Hub
- A working internet connection
- Smartphone or laptop
- #2 phillips driver (screwdriver or power drill)
- 0.1 inch (2.5mm) drill bit for pilot holes

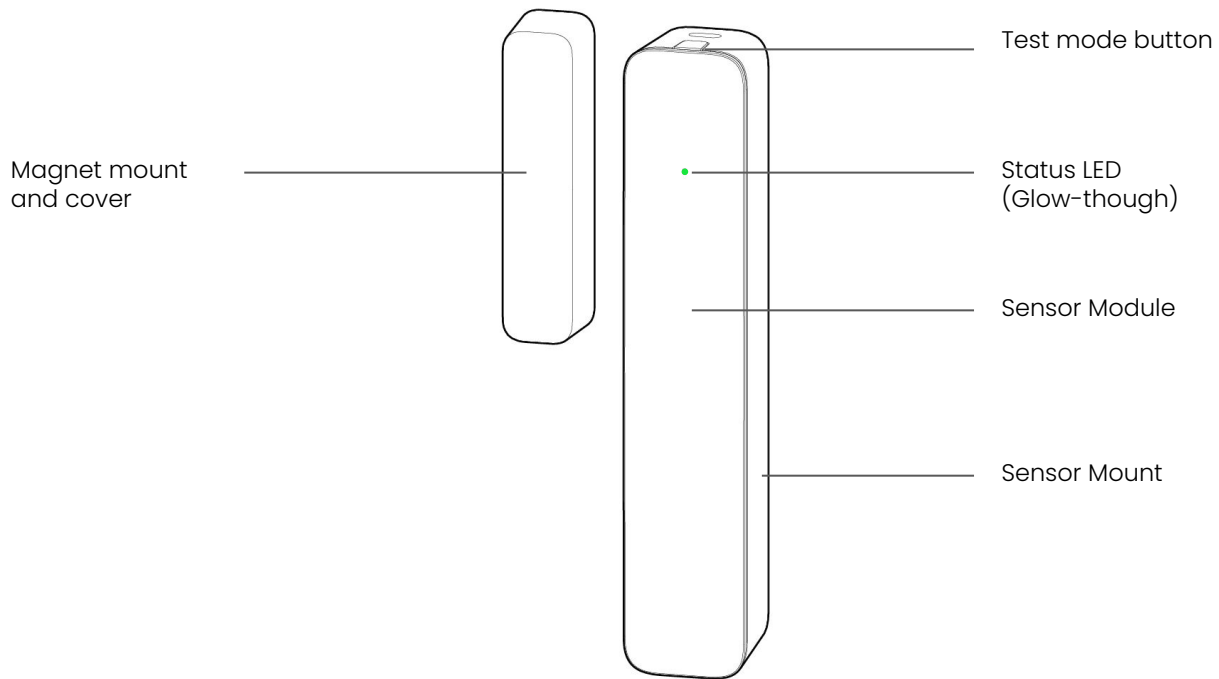
Connect

Please note: Add your BH61 Wireless Alarm Hub to Command before setting up your Wireless Door Sensor.

- To register your product, please proceed to: verkada.com/start



Sensor overview



LED Behavior

Test mode

To enable test mode, press the top button. While in test mode, the green LED will:

- turn on when the sensor is separated from the magnet (door opened)
- turn off when the sensor is brought close to the magnet (door closed).

After ten minutes in test mode, the device will return to normal operation.

Normal operation

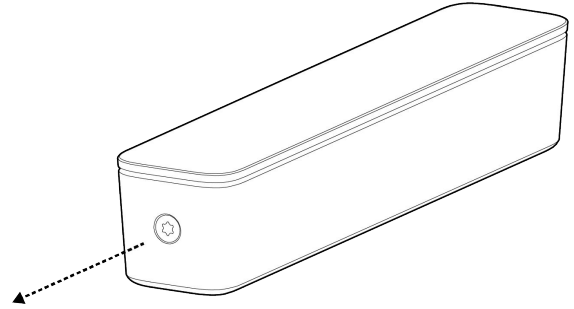
While in normal operation, the green LED will:

- NOT turn on when the sensor is separated from the magnet
- flash rapidly three times every two minutes to indicate low battery

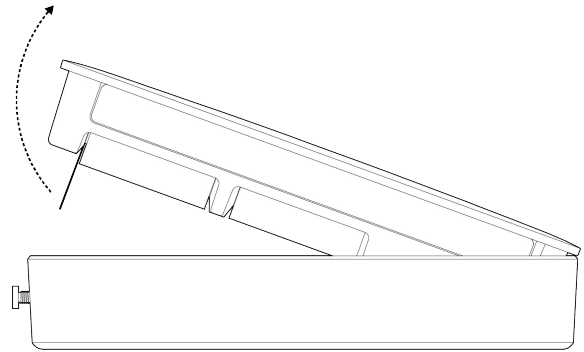
Installation

Mounting 1/5

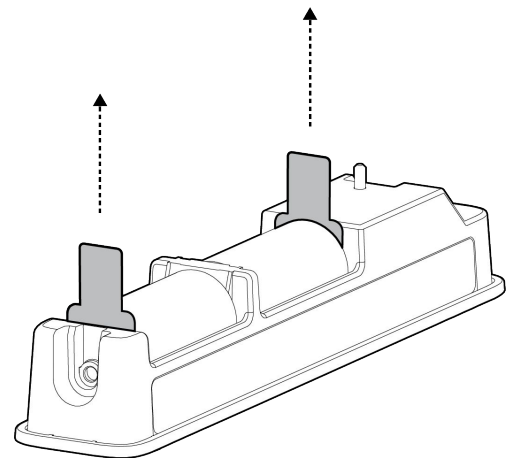
Use the provided T10 Security Torx L-key to unscrew the security screw at the bottom of the product.



Swing the sensor module out and disengage the hooks at the top of the sensor mount.



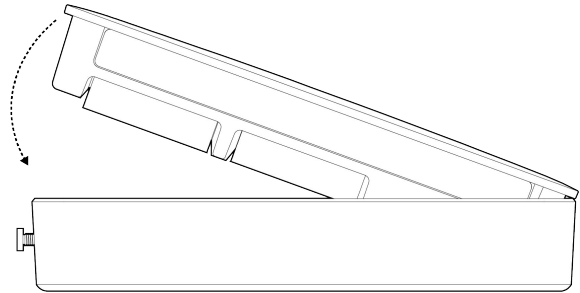
Remove the battery pull tabs.



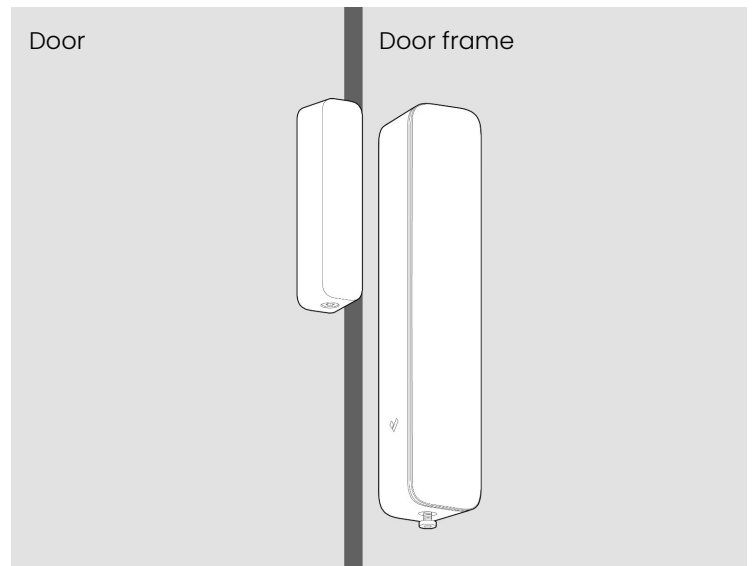
Installation

Mounting 2/5

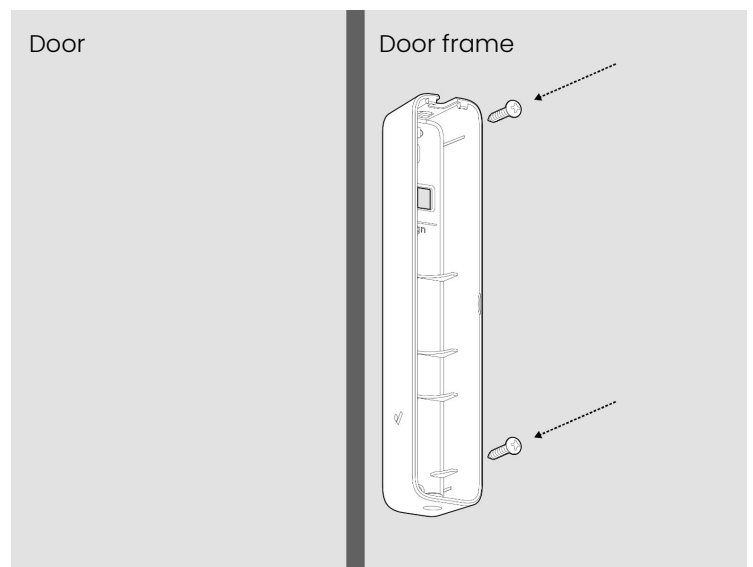
Engage the hooks at the top of the sensor mount and swing the sensor module into place.



While the device is in test mode, place the sensor module and the magnet piece on the desired surfaces to see if the sensor registers a closed door (the sensor module's LED will turn off when it senses a closed door).



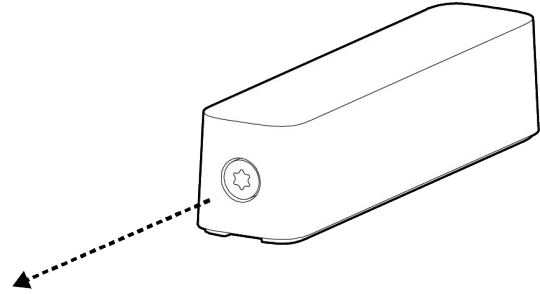
With a screwdriver, make pilot holes and screw the sensor mount into place.



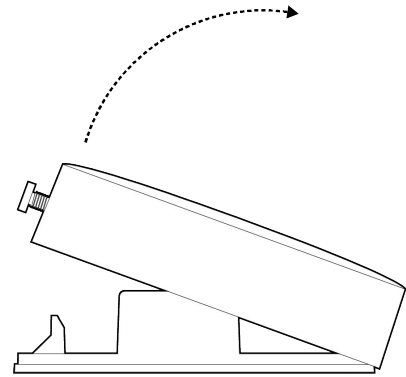
Installation

Mounting 3/5

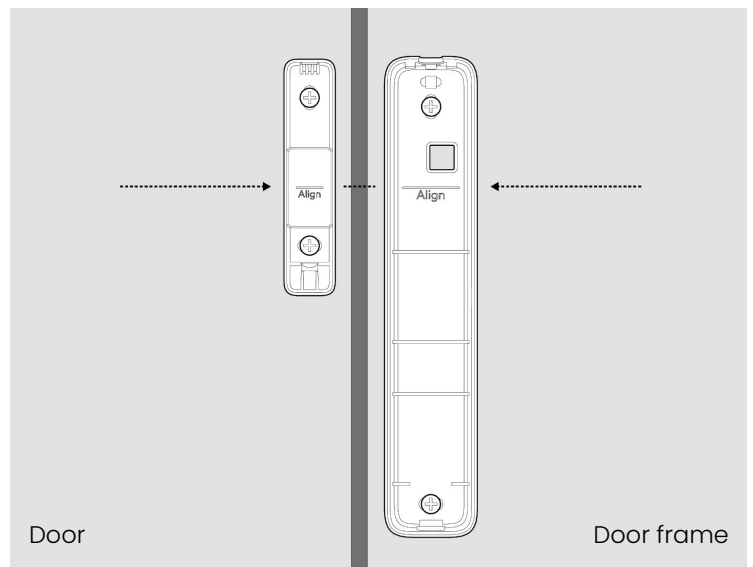
Use the provided T10 Security Torx L-key to unscrew the security screw at the bottom of the magnet.



Swing the magnet cover out and disengage the hook at the top of the magnet cover.



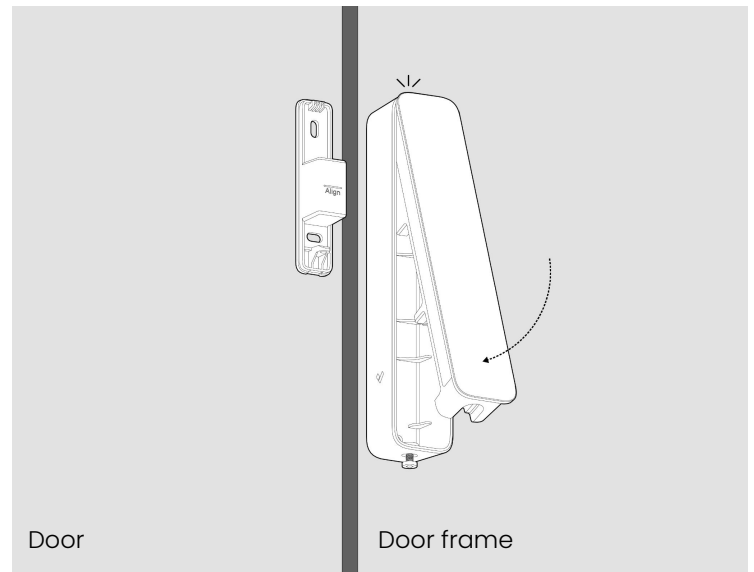
Make sure to align the "align" mark and screw the magnet piece on to the desired surface.



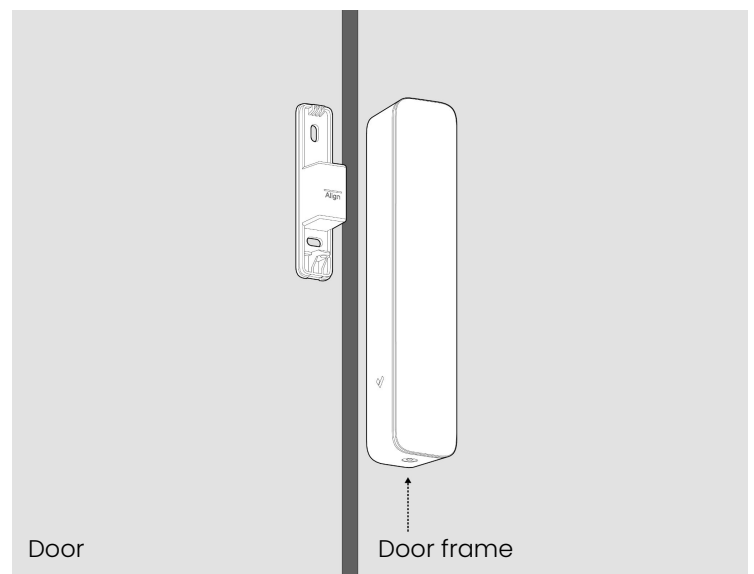
Installation

Mounting 4/5

Engage the hooks at the top of the sensor mount and swing the sensor module into place.



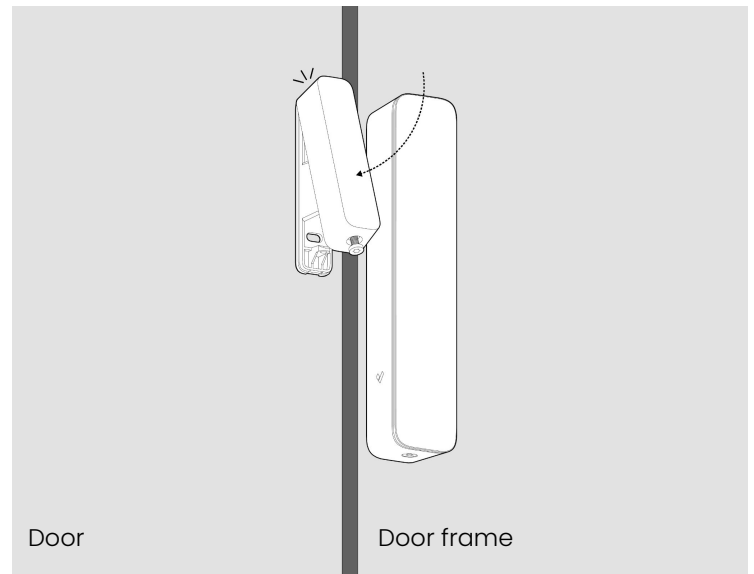
Use the provided T10 Security Torx L-key to secure the security screw in place.



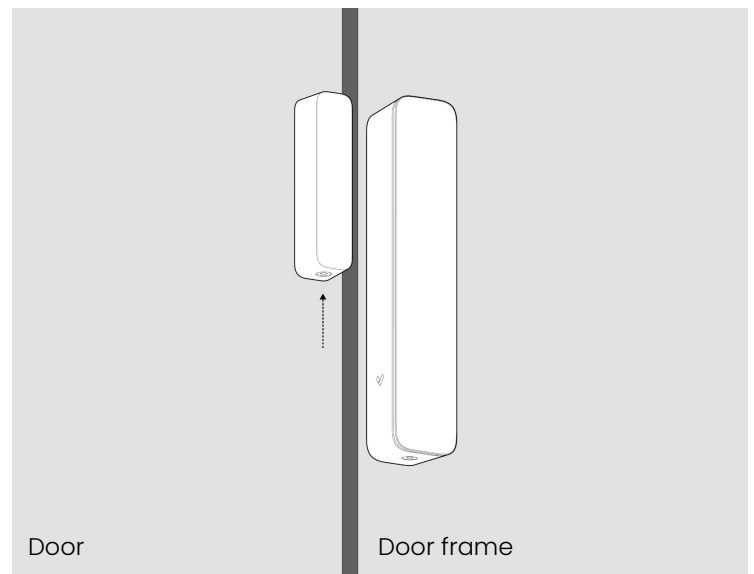
Installation

Mounting 5/5

Engage the hook at the top of the magnet cover and swing the magnet cover into place.



Use the provided T10 Security Torx L-key to secure the security screw in place.



BR31 Compliance

<p>FCC Statement</p>	<p>This equipment has been tested and found to comply with the limits for a Class B digital device, pursuant to Part 15 of the FCC Rules. These limits are designed to provide reasonable protection against harmful interference when the equipment is operated in a residential environment. These limits are designed to provide reasonable protection against harmful interference in a residential installation.</p> <p>This equipment generates, uses and can radiate radio frequency energy and, if not installed and used in accordance with the instructions, may cause harmful interference to radio communications. However, there is no guarantee that interference will not occur in a particular installation. If this equipment does cause harmful interference to radio or television reception, which can be determined by turning the equipment off and on, the user is encouraged to try to correct the interference by one or more of the following measures:</p> <ul style="list-style-type: none"> • Reorient or relocate the receiving antenna. • Increase the separation between the equipment and receiver. • Connect the equipment into an outlet on a circuit different from that to which the receiver is connected. • Consult the dealer or an experienced radio/TV technician for help. <p>To assure continued compliance, any changes or modifications not expressly approved by the party responsible for compliance may void the user's authority to operate his equipment. (Example – use only shielded interface cables when connecting to computer or peripheral devices)</p> <p>This device complies with Part 15 of the FCC Rules. Operation is subject to the following two conditions: (1) This device may not cause harmful interference, and (2) This device must accept any interference received, including interference that may cause undesired operation.</p> <p>IMPORTANT NOTE: Radiation Exposure Statement: This equipment complies with FCC radiation exposure limits set forth for an uncontrolled environment. This equipment should be installed and operated with a minimum distance 20cm between the radiator & your body. This transmitter must not be co-located or operating in conjunction with any other antenna or transmitter.</p>
<p>IC Statement</p>	<p>This device complies with Industry Canada's licence-exempt RSSs. Operation is subject to the following two conditions: (1) This device may not cause interference; (2) This device must accept any interference, including interference that may cause undesired operation of the device.</p> <p>Le présent appareil est conforme aux CNR d'Industrie Canada applicables aux appareils radio exempts de licence. L'exploitation est autorisée aux deux conditions suivantes : (1) l'appareil ne doit pas produire de brouillage; (2) l'utilisateur de l'appareil doit accepter tout brouillage radioélectrique subi, même si le brouillage est susceptible d'en compromettre le fonctionnement.</p> <p>The device meets the exemption from the routine evaluation limits in section 2.5 of RSS 102 and compliance with RSS-102 RF exposure, users can obtain Canadian information on RF exposure and compliance. Le dispositif rencontre l'exemption des limites courantes d'évaluation dans la section 2.5 de RSS 102 et la conformité à l'exposition de RSS-102 rf, utilisateurs peut obtenir l'information canadienne sur l'exposition et la conformité de rf.</p> <p>This transmitter must not be co-located or operating in conjunction with any other antenna or transmitter. This equipment should be installed and operated with a minimum distance of 20 centimeters between the radiator and your body.</p> <p>Cet émetteur ne doit pas être Co-placé ou ne fonctionnant en même temps qu'aucune autre antenne ou émetteur. Cet équipement devrait être installé et actionné avec une distance minimum de 20 centimètres entre le radiateur et votre corps.</p>



Appendix

Support

Thank you for purchasing this Verkada product. If for any reason things don't work right, or you need assistance, please contact us immediately.

verkada.com/support

Sincerely, The Verkada Team

