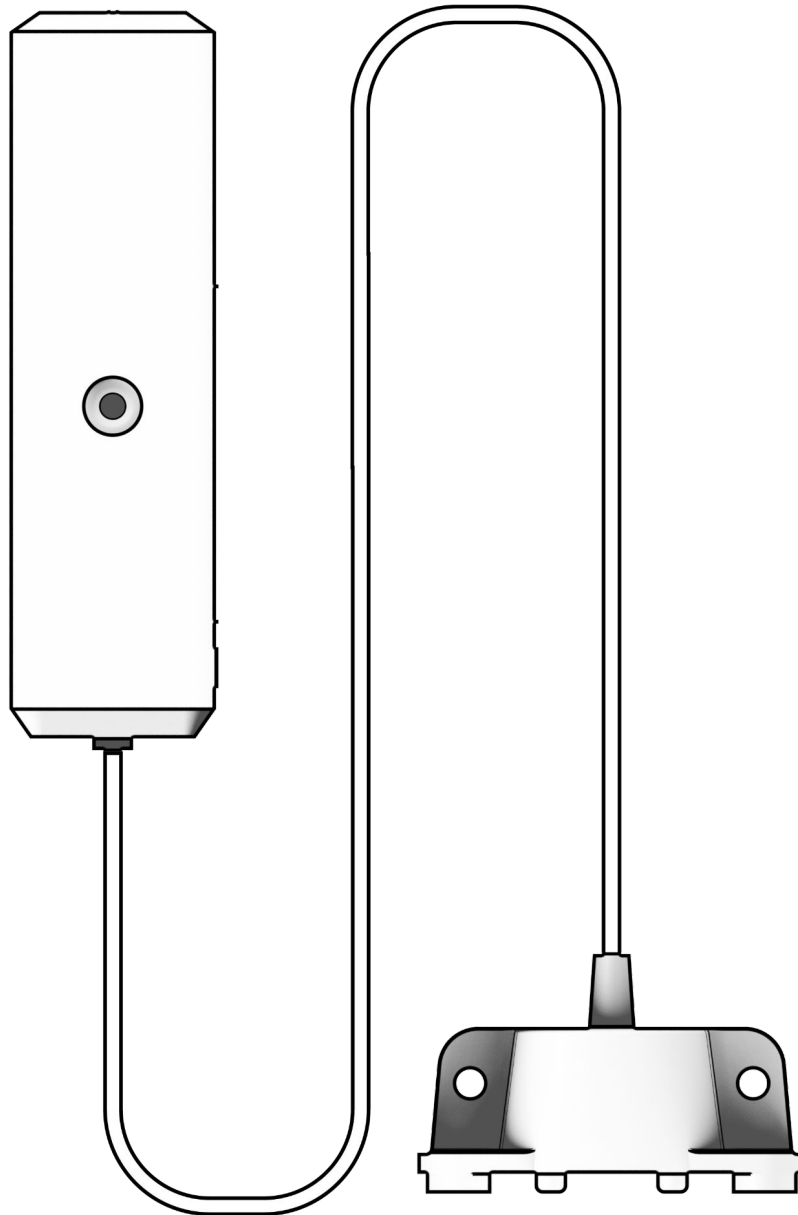


BR35 Wireless Water Leak Sensor



Document

Document Details

v1.0 (20211006)

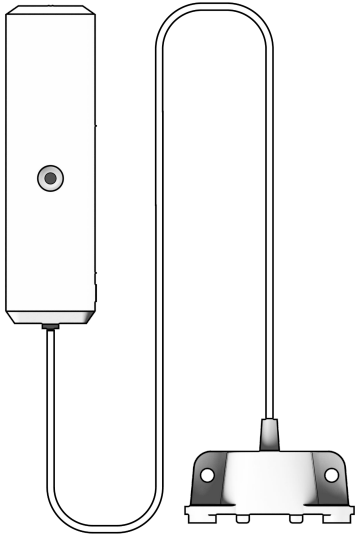
(v1.0 first published 20211006)

Firmware

Firmware version can be verified on
Verkada Command command.verkada.com.



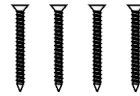
What's in the box



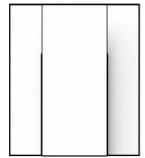
1x Wireless Water Leak Sensor



1x CR123A batteries



4x Screws



1x Adhesive Mounting Strip

What you'll need

- BH61 Wireless Alarm Hub
- A working internet connection
- A smartphone or laptop
- #2 phillips driver (screwdriver or power drill)
- ¼ inch (6.35mm) drill bit if using wall anchors

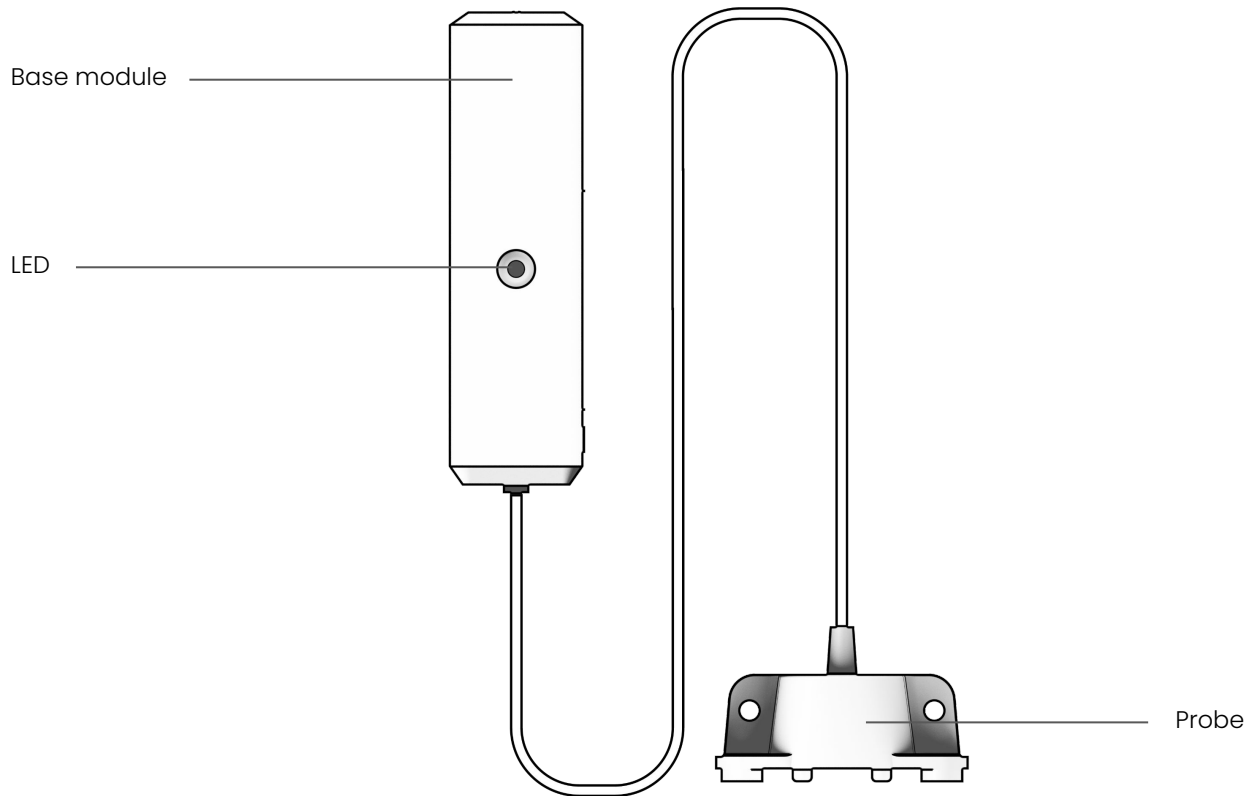
Connect

Please note: Add your BH61 Wireless Alarm Hub to Command before setting up your Wireless Water Leak Sensor.

- To register your product, please proceed to: verkada.com/start



Sensor overview



LED Behavior

A green LED will turn on when water is detected. The light will stay on as long as water is still detected.

When the sensor has a low battery, the green LED will flash rapidly three times every two minutes.

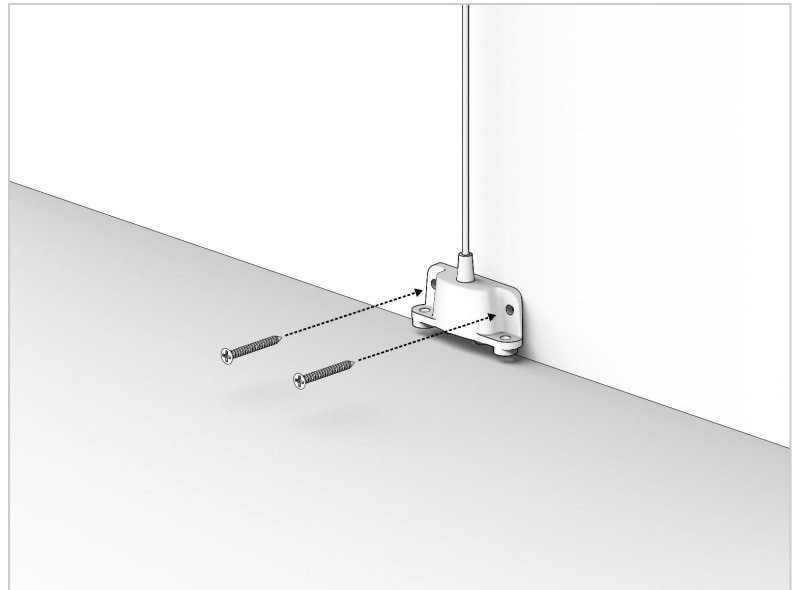


Installation

Mounting 1/2

The water leak sensor detects water via a probe with two metal contacts.

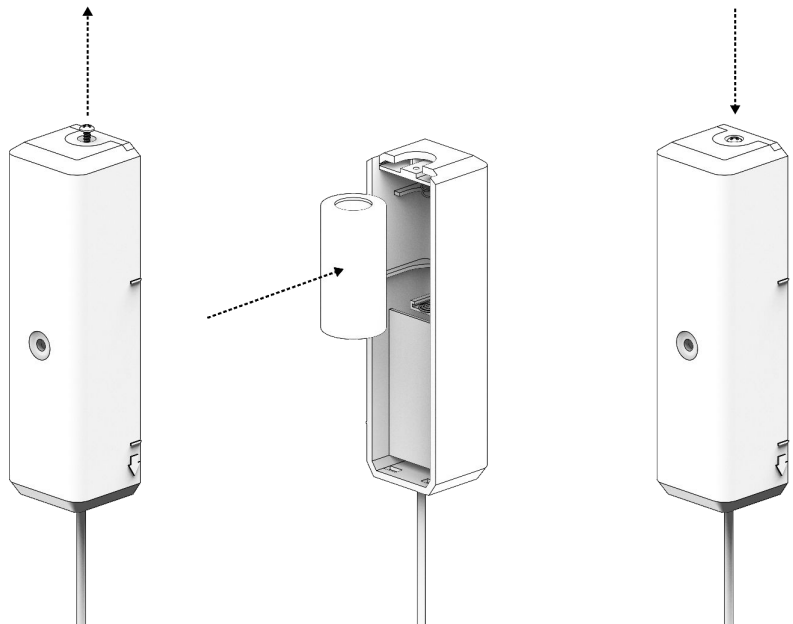
Secure the probe in the desired location using the two screws.



Remove the screw that connects the front cover and rear cover of the base module.

Install the battery.

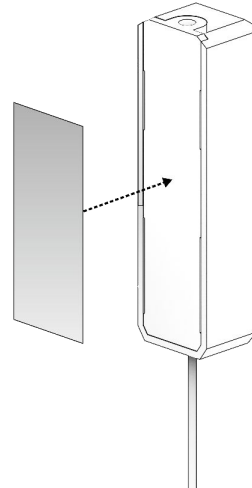
Slide the front cover onto the rear cover and tighten the screw.



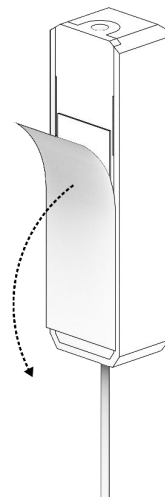
Installation

Mounting 2/2

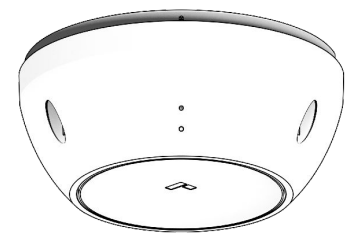
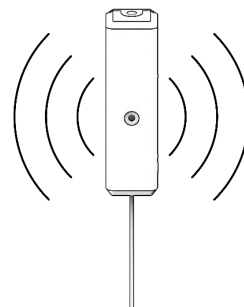
Peel protective film from one side of the adhesive mounting strip. Adhere to the back of the base module.



Peel the remaining protective film and adhere to the mounting surface.



For best results, minimize physical obstructions between the base module and the Wireless Alarm Hub.



BR35 Compliance

<p>FCC Statement</p>	<p>This equipment has been tested and found to comply with the limits for a Class B digital device, pursuant to Part 15 of the FCC Rules. These limits are designed to provide reasonable protection against harmful interference when the equipment is operated in a residential environment. These limits are designed to provide reasonable protection against harmful interference in a residential installation.</p> <p>This equipment generates, uses and can radiate radio frequency energy and, if not installed and used in accordance with the instructions, may cause harmful interference to radio communications. However, there is no guarantee that interference will not occur in a particular installation. If this equipment does cause harmful interference to radio or television reception, which can be determined by turning the equipment off and on, the user is encouraged to try to correct the interference by one or more of the following measures:</p> <ul style="list-style-type: none"> • Reorient or relocate the receiving antenna. • Increase the separation between the equipment and receiver. • Connect the equipment into an outlet on a circuit different from that to which the receiver is connected. • Consult the dealer or an experienced radio/TV technician for help. <p>To assure continued compliance, any changes or modifications not expressly approved by the party responsible for compliance may void the user's authority to operate his equipment. (Example – use only shielded interface cables when connecting to computer or peripheral devices)</p> <p>This device complies with Part 15 of the FCC Rules. Operation is subject to the following two conditions: (1) This device may not cause harmful interference, and (2) This device must accept any interference received, including interference that may cause undesired operation.</p> <p>IMPORTANT NOTE: Radiation Exposure Statement: This equipment complies with FCC radiation exposure limits set forth for an uncontrolled environment. This equipment should be installed and operated with a minimum distance 20cm between the radiator & your body. This transmitter must not be co-located or operating in conjunction with any other antenna or transmitter.</p>
<p>IC Statement</p>	<p>This device complies with Industry Canada's licence-exempt RSSs. Operation is subject to the following two conditions: (1) This device may not cause interference; (2) This device must accept any interference, including interference that may cause undesired operation of the device.</p> <p>Le présent appareil est conforme aux CNR d'Industrie Canada applicables aux appareils radio exempts de licence. L'exploitation est autorisée aux deux conditions suivantes : (1) l'appareil ne doit pas produire de brouillage; (2) l'utilisateur de l'appareil doit accepter tout brouillage radioélectrique subi, même si le brouillage est susceptible d'en compromettre le fonctionnement.</p> <p>The device meets the exemption from the routine evaluation limits in section 2.5 of RSS 102 and compliance with RSS-102 RF exposure, users can obtain Canadian information on RF exposure and compliance. Le dispositif rencontre l'exemption des limites courantes d'évaluation dans la section 2.5 de RSS 102 et la conformité à l'exposition de RSS-102 rf, utilisateurs peut obtenir l'information canadienne sur l'exposition et la conformité de rf.</p> <p>This transmitter must not be co-located or operating in conjunction with any other antenna or transmitter. This equipment should be installed and operated with a minimum distance of 20 centimeters between the radiator and your body.</p> <p>Cet émetteur ne doit pas être Co-placé ou ne fonctionnant en même temps qu'aucune autre antenne ou émetteur. Cet équipement devrait être installé et actionné avec une distance minimum de 20 centimètres entre le radiateur et votre corps.</p>



Appendix

Support

Thank you for purchasing this Verkada product. If for any reason things don't work right, or you need assistance, please contact us immediately.

verkada.com/support

Sincerely, The Verkada Team

