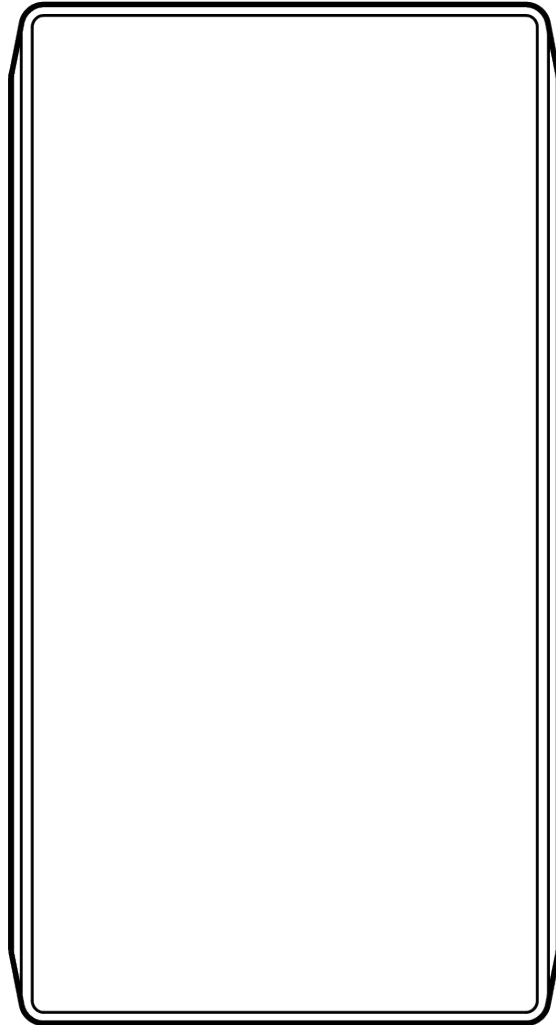


Install Guide

# BR32 Wireless Motion Sensor



Document

## Document Details

**v1.0** (20210929)

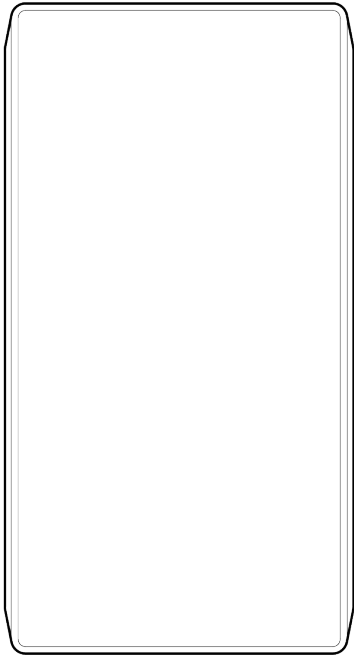
(v1.0 first published 20210929)

### Firmware

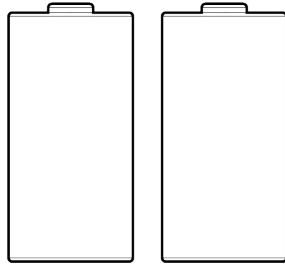
Firmware version can be verified on  
Verkada Command [command.verkada.com](http://command.verkada.com).



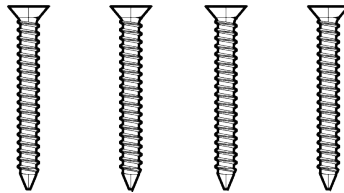
## What's in the box



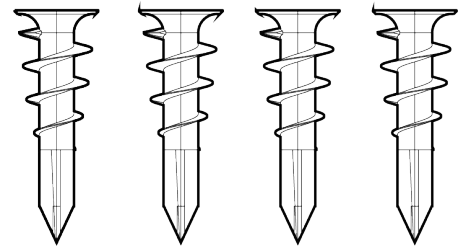
1x BR32 Wireless Motion Sensor



2x CR123A batteries



4x Screws



4x Wall anchors

## What you'll need

- BH61 Wireless Alarm Hub
- A working internet connection
- Smartphone or laptop
- #2 phillips driver (screwdriver or power drill)
- ¼ inch (6.35mm) drill bit if using wall anchors

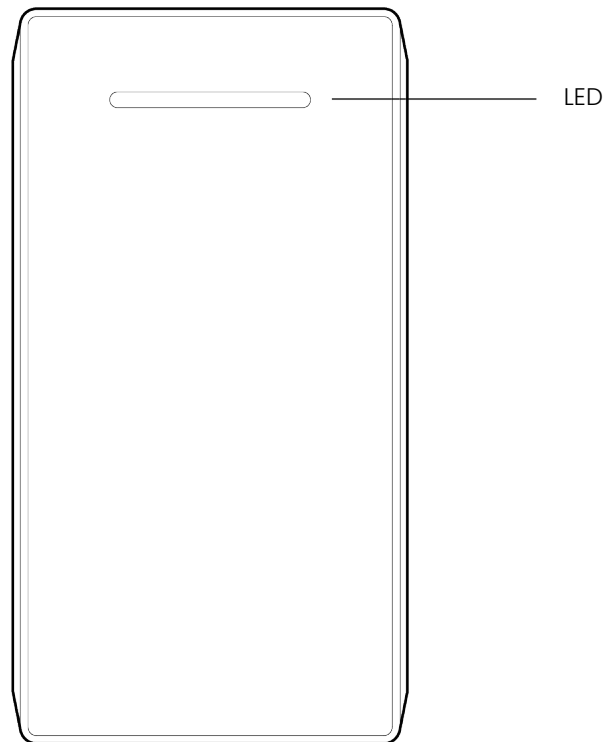
## Connect

**Please note:** Add your BH61 Wireless Alarm Hub to Command before setting up your wireless motion sensor.

- For easy registration and setup, scan the QR code on the product.
- If you prefer to manually register your product, please proceed to: [verkada.com/start](https://verkada.com/start)



## Sensor overview



### LED Behavior

After installing the batteries, the motion sensor will go into walk test mode for ten minutes. While in test mode, the green LED will:

- turn on when motion is detected.
- turn off after five seconds pass with no detected motion.

After ten minutes in test mode, the device will return to normal operation.

While in normal operation, the green LED will:

- NOT turn on when motion is detected.
- flash rapidly three times every two minutes to indicate low battery

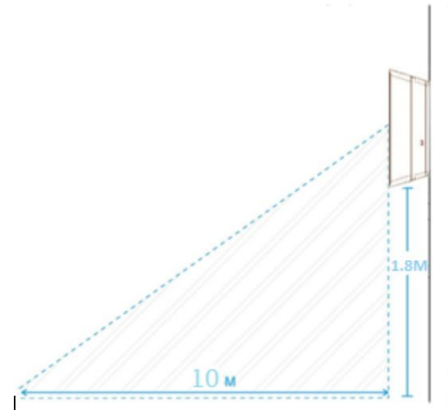


## Installation

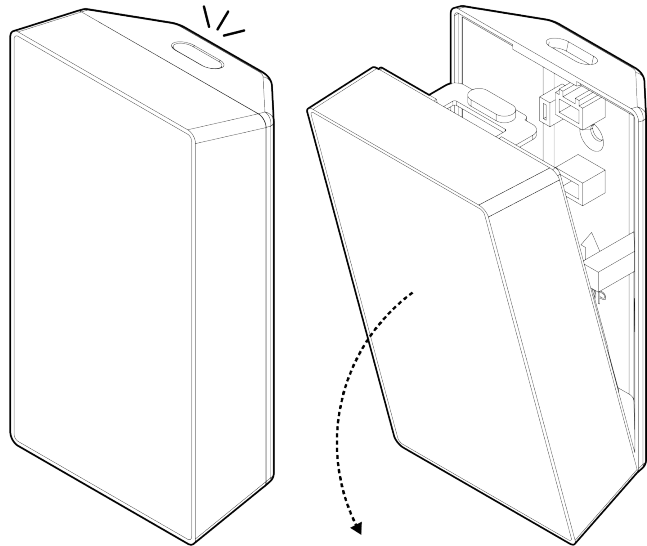
### Mounting 1/3

**Please note:** Ensure your Wireless Alarm Hub is configured in Command before setting up your wireless motion sensor.

The recommended position for the motion sensor should be 6 feet (1.8 meters) from the floor in the corner of a room. The sensor will detect motion at a range of 32.8 feet (10 meters) at a 90 degree horizontal field of view.



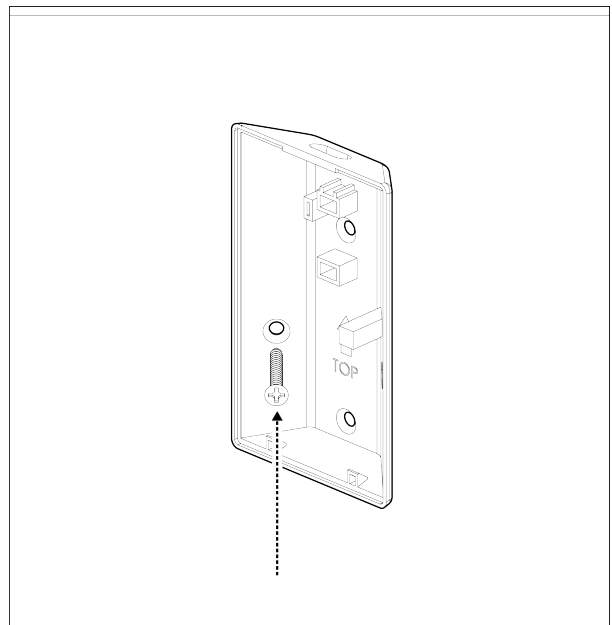
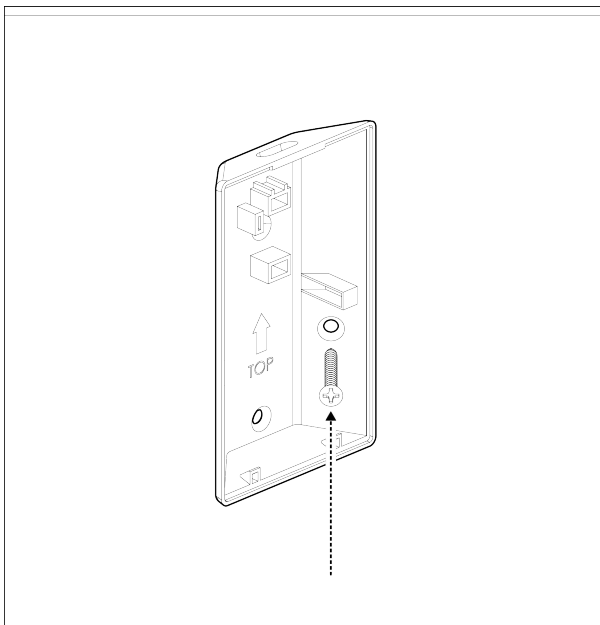
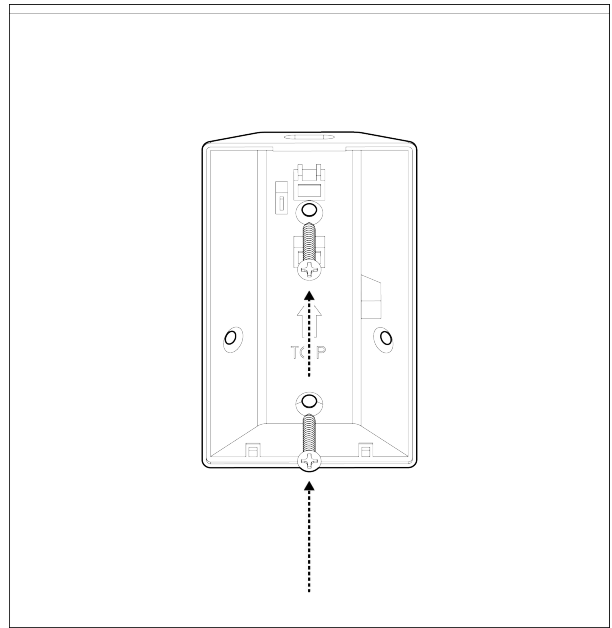
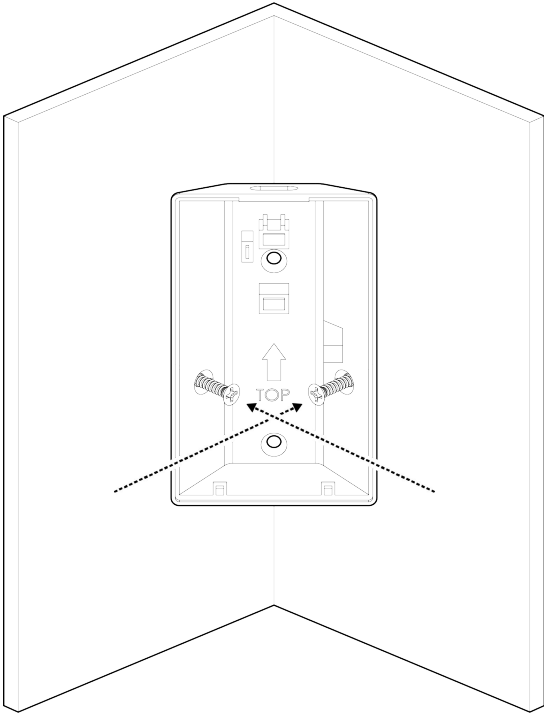
Detach the mount bracket from the device.



## Mounting 2/3

Drill holes if using wall anchors.

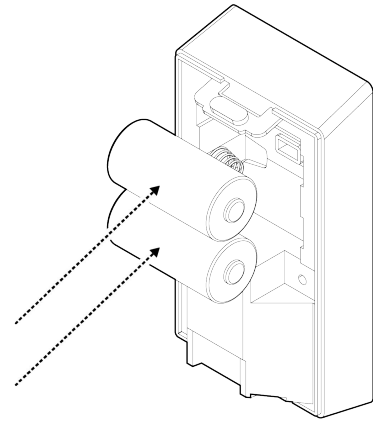
Mount the bracket on a flat surface or in a corner with the supplied screws and wall anchors.



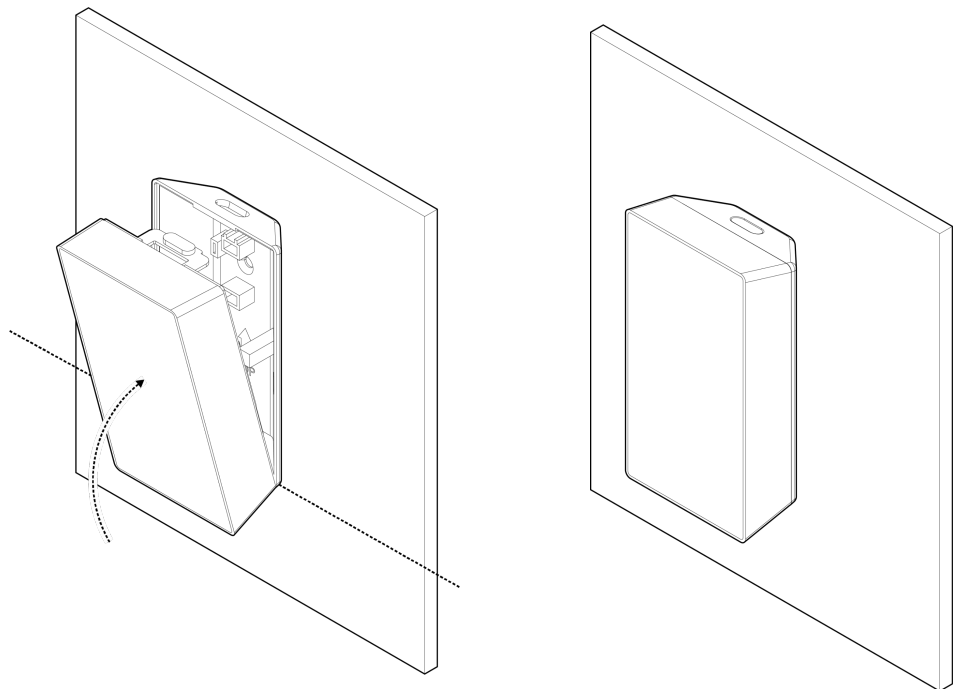
## Installation

### Mounting 3/3

Install the two batteries.



Attach the sensor body to the mount bracket.



## BR32 Compliance

<p><b>FCC Statement</b></p>	<p>This equipment has been tested and found to comply with the limits for a Class B digital device, pursuant to Part 15 of the FCC Rules. These limits are designed to provide reasonable protection against harmful interference when the equipment is operated in a residential environment. These limits are designed to provide reasonable protection against harmful interference in a residential installation.</p> <p>This equipment generates, uses and can radiate radio frequency energy and, if not installed and used in accordance with the instructions, may cause harmful interference to radio communications. However, there is no guarantee that interference will not occur in a particular installation. If this equipment does cause harmful interference to radio or television reception, which can be determined by turning the equipment off and on, the user is encouraged to try to correct the interference by one or more of the following measures:</p> <ul style="list-style-type: none"> <li>• Reorient or relocate the receiving antenna.</li> <li>• Increase the separation between the equipment and receiver.</li> <li>• Connect the equipment into an outlet on a circuit different from that to which the receiver is connected.</li> <li>• Consult the dealer or an experienced radio/TV technician for help.</li> </ul> <p>To assure continued compliance, any changes or modifications not expressly approved by the party responsible for compliance may void the user's authority to operate his equipment. (Example – use only shielded interface cables when connecting to computer or peripheral devices)</p> <p>This device complies with Part 15 of the FCC Rules. Operation is subject to the following two conditions:</p> <ol style="list-style-type: none"> <li>(1) This device may not cause harmful interference, and</li> <li>(2) This device must accept any interference received, including interference that may cause undesired operation.</li> </ol>
<p><b>IC Statement</b></p>	<p>This device complies with Industry Canada's licence-exempt RSSs. Operation is subject to the following two conditions:</p> <ol style="list-style-type: none"> <li>(1) This device may not cause interference;</li> <li>(2) This device must accept any interference, including interference that may cause undesired operation of the device.</li> </ol> <p>Le présent appareil est conforme aux CNR d'Industrie Canada applicables aux appareils radio exempts de licence. L'exploitation est autorisée aux deux conditions suivantes :</p> <ol style="list-style-type: none"> <li>(1) l'appareil ne doit pas produire de brouillage;</li> <li>(2) l'utilisateur de l'appareil doit accepter tout brouillage radioélectrique subi, même si le brouillage est susceptible d'en compromettre le fonctionnement.</li> </ol> <p>The device meets the exemption from the routine evaluation limits in section 2.5 of RSS 102 and compliance with RSS-102 RF exposure, users can obtain Canadian information on RF exposure and compliance.</p> <p>Le dispositif rencontre l'exemption des limites courantes d'évaluation dans la section 2.5 de RSS 102 et la conformité à l'exposition de RSS-102 rf, utilisateurs peut obtenir l'information canadienne sur l'exposition et la conformité de rf.</p> <p>This transmitter must not be co-located or operating in conjunction with any other antenna or transmitter. This equipment should be installed and operated with a minimum distance of 20 centimeters between the radiator and your body.</p> <p>Cet émetteur ne doit pas être Co-placé ou ne fonctionnant en même temps qu'aucune autre antenne ou émetteur. Cet équipement devrait être installé et actionné avec une distance minimum de 20 centimètres entre le radiateur et votre corps.</p>





Appendix

## Support

Thank you for purchasing this Verkada product. If for any reason things don't work right, or you need assistance, please contact us immediately.

[verkada.com/support](https://verkada.com/support)

Sincerely, The Verkada Team

