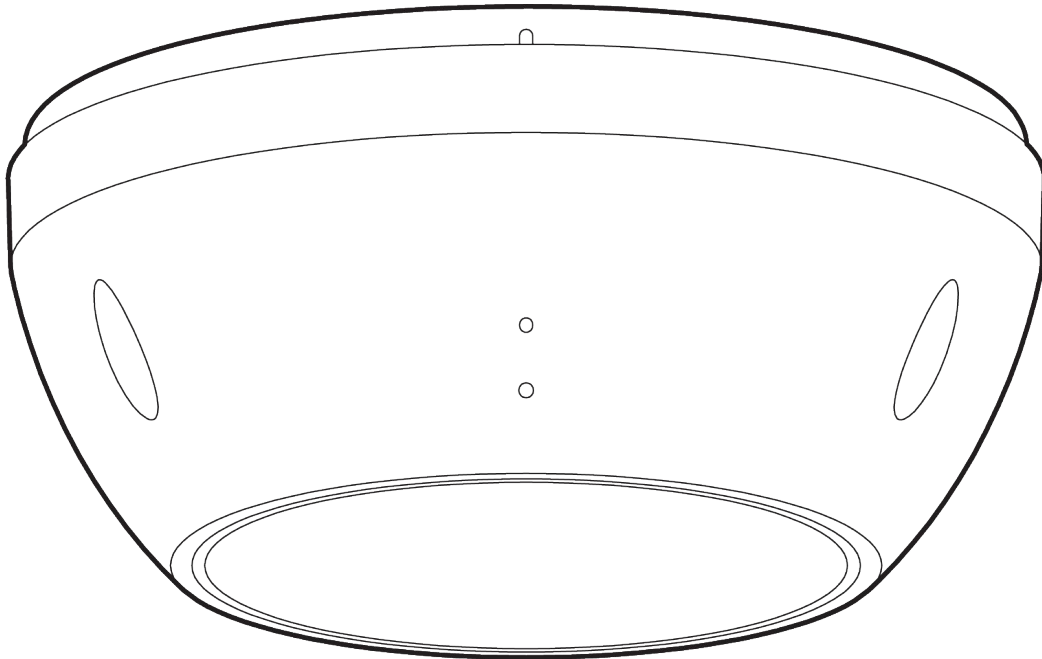


# BH61 Wireless Alarm Hub



Document

## Document Details

**v1.0** (20210929)

(v1.0 first published 20210929)

### Firmware

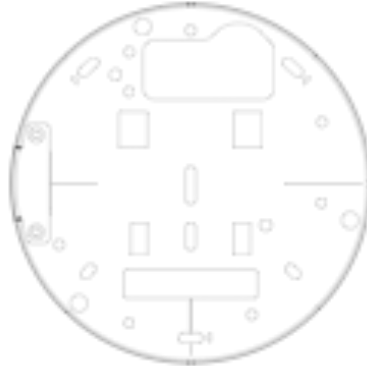
Firmware version can be verified on  
Verkada Command [command.verkada.com](http://command.verkada.com).



## What's in the box



BH61 Wireless Alarm Hub



Mount plate  
(Attached to hub)



Mounting template



3 M4 x 50mm machine screws,  
wing nuts, and washers



4 M4 x  
25mm PH2  
wall screws



4 wall anchors



T10 Security Torx screwdriver

## What you'll need

- A working Internet connection
- 802.3af / 802.3at POE Power over Ethernet (PoE) switch, or a PoE injector\*
- A smartphone or laptop
- A Phillips screwdriver or power drill with a Phillips driver bit
- ¼ inch (6.5mm) drill bit for wall anchors
- ⅛ inch (3mm) drill bit for pilot holes
- 3/16 inch (4.5mm) drill bit for machine screws

*\*To reduce potential safety issues, only use the PoE adapter provided with the product, a replacement PoE adapter provided by Verkada, or a PoE adapter purchased as an accessory from Verkada.*

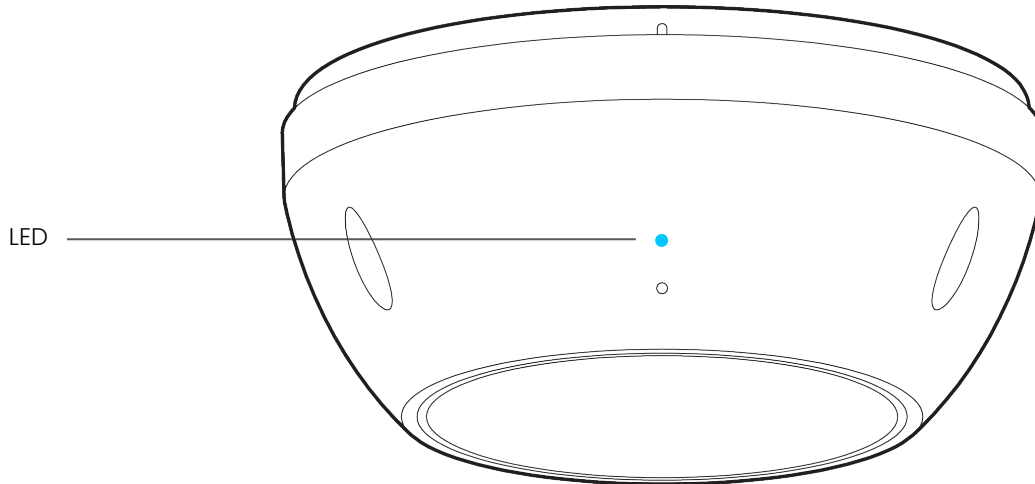
## Connect

For easy registration and setup, scan the QR code on the product.

If you prefer to manually register your product, please proceed to: [verkada.com/start](https://verkada.com/start)







## Sensor overview



### Placement

To ensure a reliable connection with your sensors, mount the BH61 Wireless Alarm Hub in a location that minimizes the number of walls and other obstructions between the hub and the wireless sensors.

### LED Behavior

-  **Solid Orange**  
Hub is on and booting up.
-  **Flashing Orange**  
Hub is updating firmware.
-  **Flashing Blue**  
Hub can receive events, but cannot reach the server
-  **Solid Blue**  
Hub is running, connected, and receiving events.

## Installation

### Connect 1/1

Use the provided T10 Torx security screwdriver to loosen the screws and lift the top cover off the hub.



Connect the hub to an 802.3af/at Power over Ethernet port on your network.

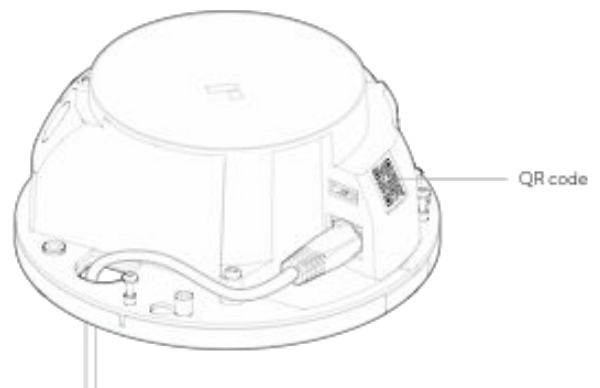
**Please note:** Your BH61 Wireless Alarm Hub includes an integrated backup battery. The Hub must be connected for eight hours before the battery is fully charged.



For easy registration and setup, scan the QR code on the product.

If you prefer to manually register your product, please proceed to:

[verkada.com/start](https://verkada.com/start)



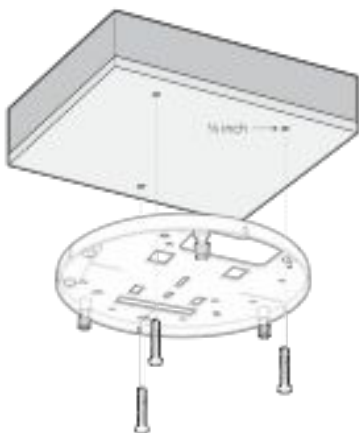
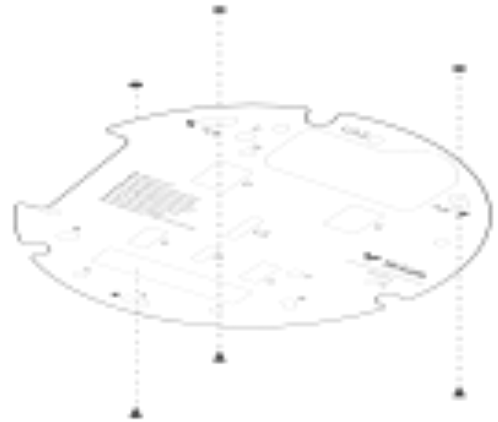
## Installation

### Mounting 1/2

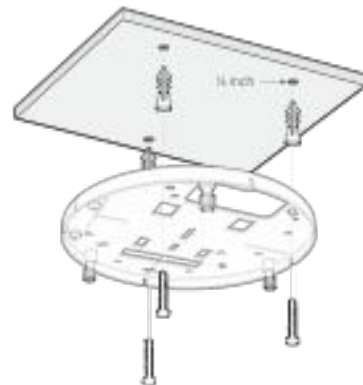
To remove the mount plate, loosen the mount plate screws and twist the device counterclockwise. Lift the device vertically off the base plate and set aside



Use the provided mounting template to mark wall mount holes. For a junction box mount, use the mounting template to determine the correct hole pattern.



For a solid material like wood or metal, drill  $\frac{1}{8}$  inch pilot holes. Drive mounting screws directly into the pilot holes.



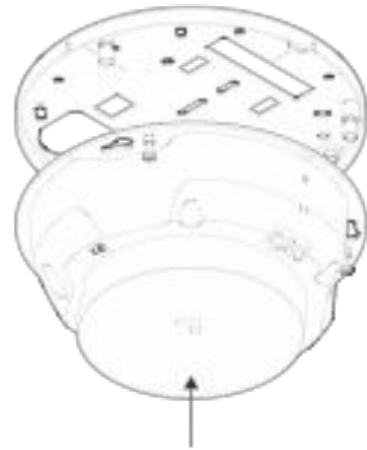
For drywall, drill  $\frac{1}{4}$  inch holes. Insert plastic anchors into holes and drive mounting screws into anchors.



## Installation

### Mounting 2/2

Place the hub over the mount plate screws and twist clockwise. Tighten the mount plate screws with a Phillips screwdriver.



Replace the hub cover and secure it using the provided T10 Torx security screwdriver.



## BH61 Compliance

<p><b>FCC Statement</b></p>	<p>This equipment has been tested and found to comply with the limits for a Class B digital device, pursuant to Part 15 of the FCC Rules. These limits are designed to provide reasonable protection against harmful interference when the equipment is operated in a residential environment. These limits are designed to provide reasonable protection against harmful interference in a residential installation.</p> <p>This equipment generates, uses and can radiate radio frequency energy and, if not installed and used in accordance with the instructions, may cause harmful interference to radio communications. However, there is no guarantee that interference will not occur in a particular installation. If this equipment does cause harmful interference to radio or television reception, which can be determined by turning the equipment off and on, the user is encouraged to try to correct the interference by one or more of the following measures:</p> <ul style="list-style-type: none"> <li>• Reorient or relocate the receiving antenna.</li> <li>• Increase the separation between the equipment and receiver.</li> <li>• Connect the equipment into an outlet on a circuit different from that to which the receiver is connected.</li> <li>• Consult the dealer or an experienced radio/TV technician for help.</li> </ul> <p>To assure continued compliance, any changes or modifications not expressly approved by the party responsible for compliance may void the user's authority to operate his equipment. (Example – use only shielded interface cables when connecting to computer or peripheral devices)</p> <p>This device complies with Part 15 of the FCC Rules. Operation is subject to the following two conditions:  (1) This device may not cause harmful interference, and  (2) This device must accept any interference received, including interference that may cause undesired operation.</p> <p><b>IMPORTANT NOTE:</b>  Radiation Exposure Statement:  This equipment complies with FCC radiation exposure limits set forth for an uncontrolled environment. This equipment should be installed and operated with a minimum distance 20cm between the radiator &amp; your body. This transmitter must not be co-located or operating in conjunction with any other antenna or transmitter.</p>
<p><b>IC Statement</b></p>	<p>This device complies with Industry Canada's licence-exempt RSSs. Operation is subject to the following two conditions:  (1) This device may not cause interference;  (2) This device must accept any interference, including interference that may cause undesired operation of the device.</p> <p>Le présent appareil est conforme aux CNR d'Industrie Canada applicables aux appareils radio exempts de licence. L'exploitation est autorisée aux deux conditions suivantes :  (1) l'appareil ne doit pas produire de brouillage;  (2) l'utilisateur de l'appareil doit accepter tout brouillage radioélectrique subi, même si le brouillage est susceptible d'en compromettre le fonctionnement.</p> <p>The device meets the exemption from the routine evaluation limits in section 2.5 of RSS 102 and compliance with RSS-102 RF exposure, users can obtain Canadian information on RF exposure and compliance.  Le dispositif rencontre l'exemption des limites courantes d'évaluation dans la section 2.5 de RSS 102 et la conformité à l'exposition de RSS-102 rf, utilisateurs peut obtenir l'information canadienne sur l'exposition et la conformité de rf.</p> <p>This transmitter must not be co-located or operating in conjunction with any other antenna or transmitter. This equipment should be installed and operated with a minimum distance of 20 centimeters between the radiator and your body.</p> <p>Cet émetteur ne doit pas être Co-placé ou ne fonctionnant en même temps qu'aucune autre antenne ou émetteur. Cet équipement devrait être installé et actionné avec une distance minimum de 20 centimètres entre le radiateur et votre corps.</p>





## BH61 Compliance

**Caution**

1. Maintenance and repair work must always be carried out by qualified technical personnel. Disconnect power from the unit when performing a maintenance task.
2. Wiring methods used for the connection of the equipment to earth shall be in accordance with the National Electrical Code, ANSI/NFPA 70, and the Canadian Electrical Code, Part I, CSA C22.1.
3. The product must be installed and protected in a location that is not easily accessible and is away from impacts or heavy vibration.
4. The device is only to be connected to PoE networks without routing to outside plants.
5. If powered by a power adapter, the adapter should be properly grounded.
6. Please contact certified dealers for power adapters.



## Appendix

# Support

Thank you for purchasing this Verkada product. If for any reason things don't work right, or you need assistance, please contact us immediately.

[verkada.com/support](https://verkada.com/support)

Sincerely, The Verkada Team

