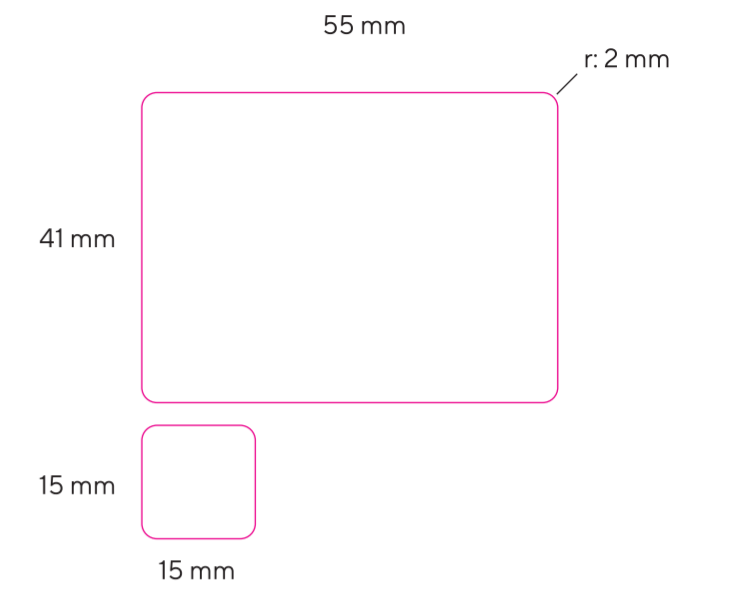


BH61-HW
Wireless Alarm Hub
Product Label



Caldwell - BH61
Wireless Alarm Hub
Product Label

Cut Line

Description:	-
Size ID:	41x55 mm, 15x15 mm
Print Color:	White
Material:	Black



 Verkada BH61

P/N: 60-50001-A 0421

Model: BH61-HW

Power: PoE 37-57V \Rightarrow 0.42-0.27A

S/N: DQ6A-H9EY-AAWF



MAC: E0:A7:00:21:26:15



This device complies with part 15 of the FCC rules. Operation is subject to the following two conditions: (1) This device may not cause harmful interference, and (2) this device must accept any interference received, including interference that may cause undesired operation.
Designed in California | Made in Taiwan CAN ICES-3 (B) / NMB-3 (B)