

10. Keep cells and batteries out of the reach of children.
11. Seek medical advice immediately if a cell or a battery has been swallowed.



[symbol IEC 60417-5957 (2004-12)] For indoor use only



[symbol ISO 7000-0790 (2004-01)] read operator's manual



[symbol IEC 60417-5031 (2002-10)] direct current



time-lag miniature fuse-link where X is the symbol for the time/current characteristic as given in IEC 60127



[symbol IEC 60417-5032 (2002-10)] alternating current



[symbol IEC 60417-5172 (2003-02)] class II equipment

12. Always purchase the correct cell or battery for the equipment.
13. Keep cells and batteries clean and dry.
14. Wipe the cell or battery terminals with a clean dry cloth if they become dirty.
15. Secondary cells and batteries need to be charged before use. Always use the correct charger and refer to the manufacturer's instructions or equipment manual for proper charging instructions.
16. Do not leave a battery on prolonged charge when not in use.
17. After extended periods of storage, it may be necessary to charge and discharge the cells or batteries several times to obtain maximum performance.
Secondary cells and batteries give their best performance when they are operated at normal room temperature (20 °C ± 5 °C).
18. Retain the original product literature for future reference.
Use only the cell or battery in the application for which it was intended.
19. When possible, remove the battery from the equipment when not in use.
20. Dispose of properly.

SAVE THESE INSTRUCTIONS
Household use only

CLASS 1 LASER PRODUCT

INVISIBLE LASER RADIATION

DOE+CEC+NRCAN:

1. Pick up the whole unit and suspend the left wheel for 2s (in the meanwhile the right wheel remains lifted)
2. Suspend the right wheel for 2s (in the meanwhile the left wheel remains lifted)
3. Press both left and right bumper plates for 2s.
4. The return-to-charge indicator lights red briefly, and after the indicator is off, the whole unit enters its low-power consumption mode.
5. Restart the whole unit in the low power mode to exit the low power mode.

Note: the time interval between two steps in Steps 1-4 should not exceed 1s.

TECHNICAL DATA

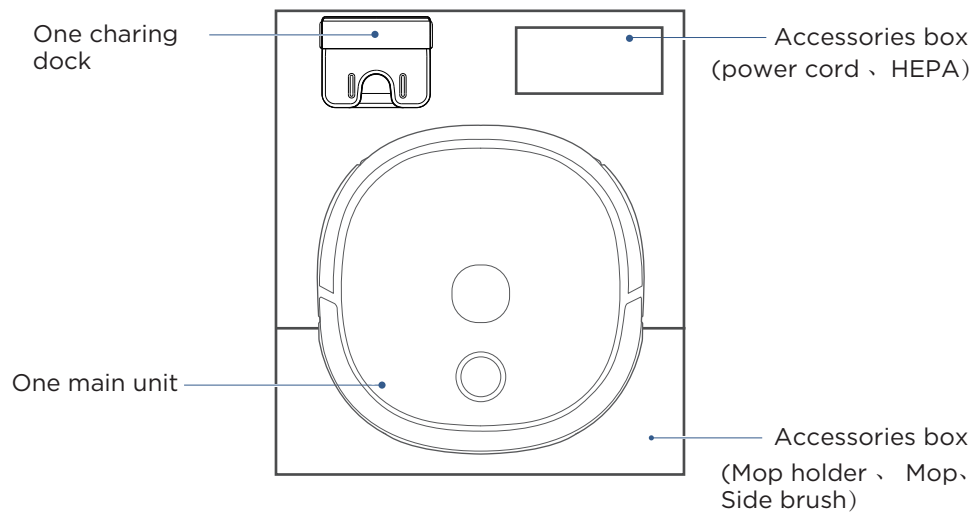
1. Product Model: NER600
2. Host Charging Voltage: 17.2 V ---
3. Host Rated Voltage: 14.4 V ---
4. Host Rated Power: 40 W
5. Docking Station Model: i5-DS
6. Docking Station Input: 100-240V~, 50/60Hz, 24W
7. Docking Station Output: 17.2V --- , 1A
8. Battery Model: BP14435B
9. Battery Rated Voltage: 14.4V ---
10. Battery Capacity: 3400mAh 48.96Wh
11. Charging Limit Voltage: 16.8V ---

Note: you can also view the instructions on the app.

PRODUCT INTRODUCTION

Open-box accessories layout

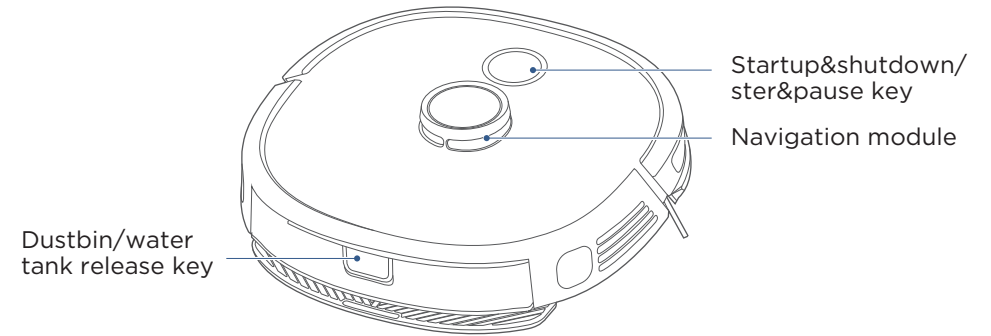
■ Layout



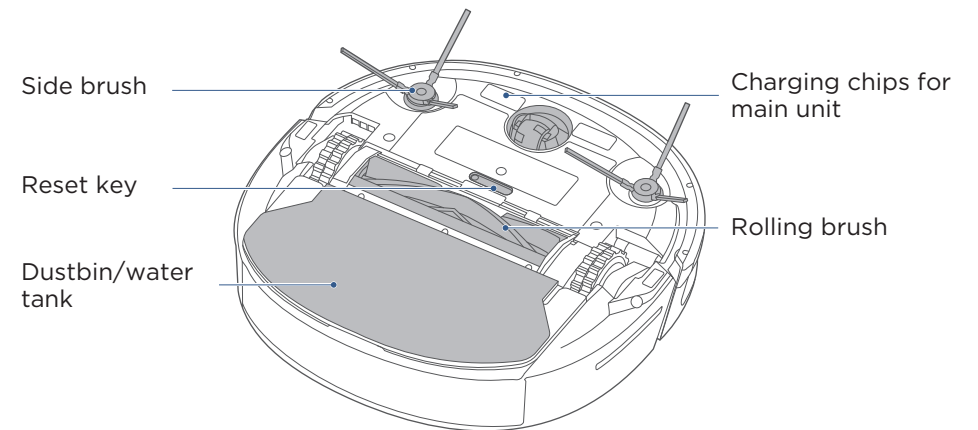
PRODUCT INTRODUCTION

Introduction of main-unit components

■ Top view



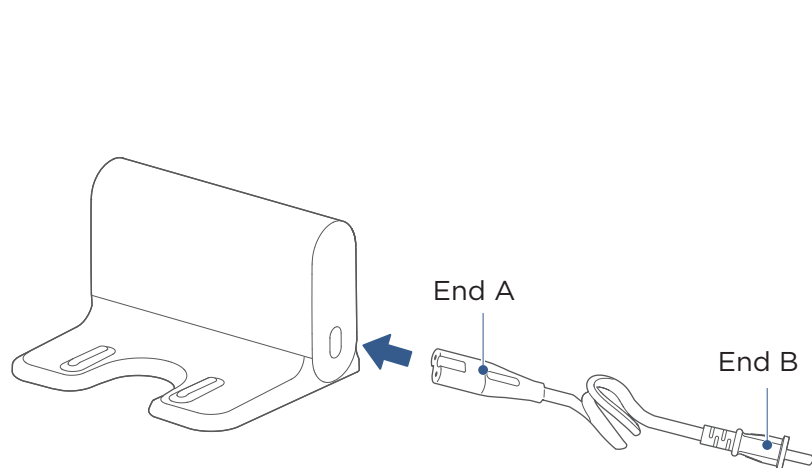
■ Bottom view



INSTALLATION

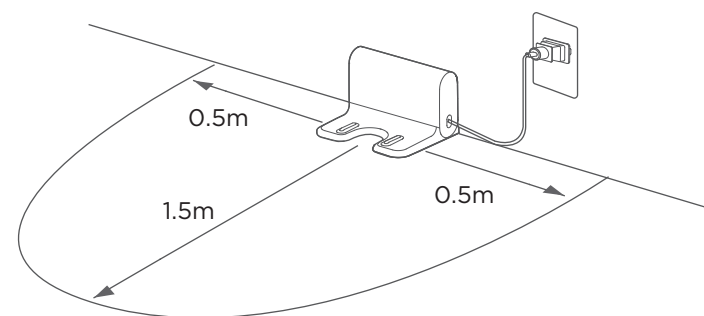
■ Installation of charging dock

1. The End A of the power cord is connected to the charging dock, while the End B is plugged in a power outlet.
Place the charging dock on hard ground against wall.
2. In order to ensure stable networking of the main unit and App functional.
3. Please place the charging dock within the area covered by WiFi signal.



⚠ Notes

1. Do not place the charging dock in direct sunlight;
2. Do not cover the signal emission area of the charging dock with stickers or other objects;
3. Do not place the charging dock on soft floors such as the ones installed with carpet;
4. Ensure a clearance of 0.5m exists on two sides of the charging dock, and in front there is an open area of 1.5m away from the charging dock;
5. After connection to power source, tie up the excessive power cord to prevent the robot from dragging the charging dock during its operations, resulting in displacement of the charging dock or inability to return to charge after power cutoff;
6. Keep the charging area dry, and remove the mopping plate after the robot is charged;
7. Keep the charging chips dry and tidy, clean and wipe them regularly.



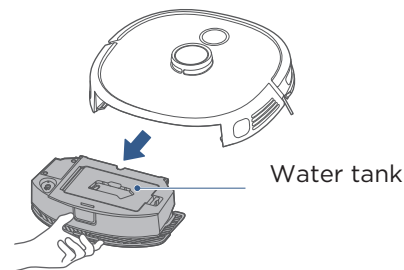
Warning

1. This appliance can be used by children aged from 8 years and above and persons with reduced physical, sensory or mental capabilities or lack of experience and knowledge if they have been given supervision or instruction concerning use of the appliance in a safe way and understand the hazards involved.
2. Children shall not play with the appliance.
3. Cleaning and user maintenance shall not be made by children without supervision. Children should be supervised to ensure that they do not play with the appliance.
4. If the supply cord is damaged, it must be replaced by a special cord or assembly available from the manufacturer or its service agent.
5. Technical data
Docking Station Model:i5-DS
Docking Station Input:100-240V-,50-60Hz,24W
Docking Station Output:17.2V,1A
Battery Model:BP14435B 41NR 19/66
Battery Rated Voltage:14.4V
Battery Capacity:3400mAh 48.96Wh

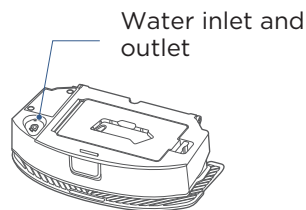
INSTALLATION

■ Installation of mop assembly (this step can be skipped, please install when needing to mop the floor)

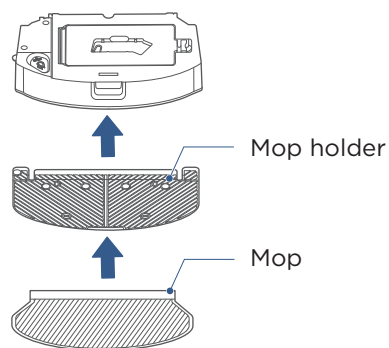
1. Press the water tank release key, and remove the tank from the main unit;



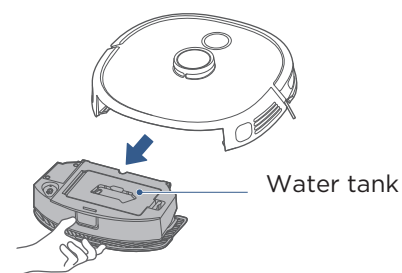
2. Remove the rubber plug from the tank and fill water in the tank;



3. Align clips in the Mop holder to holes in the water tank support, and a "click" sound indicates successful installation;



4. Push the water tank in the main unit.



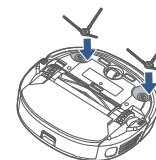
! Notes

1. To improve the mopping, recommend cleaning three times before using the mopping function;
2. The mop has been stuck to the mop holder, and it can be removed for cleaning and replacement;
3. No installation of the water tank in place may result in dropped tank;
4. Please remove the mopping plate support when the main unit is charged in the charging dock;
5. Do not fill in boiling water to prevent tank deformation at high temperature;
6. If carpets exist in the mopping environment, place roll them at the edge or set a virtual wall in the App;
7. In case of poor mopping effect or occurrence of slipping, choose a proper water volume in the App;
8. When the mopping function is not in use, keep the water tank in place and remove the mop holder.

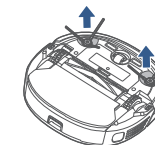
INSTALLATION

■ Installation of side brush

1. By ensuring the side brush has a consistent color with that of its slot, directly push the side brush into the slot, and a "click" sound indicates complete installation;



2. When disassembly is required, use two hands to hold the rubber-covered leg of the side brush (take care of not pulling its hair bundle forcibly) to remove it by keeping the machine bottom facing up.

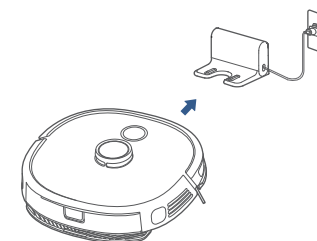


■ Machine charging

1. Remove the strip seal according to prompt texts on the machine;
2. By aligning the machine to the charging block in the indicated direction, push the machine into the charging block in order for charging.

! Notes

1. When the main unit gets contact with the charging block, the power indicator flashes to indicate the main unit is charging;
2. If the main unit fails to charge, check whether the charging chips of the machine at the bottom are blocked by



■ Instructions prior to use

1. Prior to startup, clean up scattered wires and debris on the floor, and remove objects that are easy to fall, fragile, valued, and possibly result in hazards. Prevent from being entangled, stuck, dragged, or knocked down by the main unit, resulting in damages to people and property;
2. If overhead structures exist in the cleaning area, secure and block them with appropriate objects to prevent damages to people and property due to their possible falling;
3. Recommend following the robot throughout the initial cleaning to assist in dealing with some possible small problems. After these problems are solved, the robot will smoothly carry out its automatic cleaning in the future. If no cleaning is required or the robot may be trapped in some special areas, it is possible to add exclusion zones or virtual walls at corresponding positions in the map shown in the App, in order to prevent the robot from entering these areas.

