

Wireless Power Bank

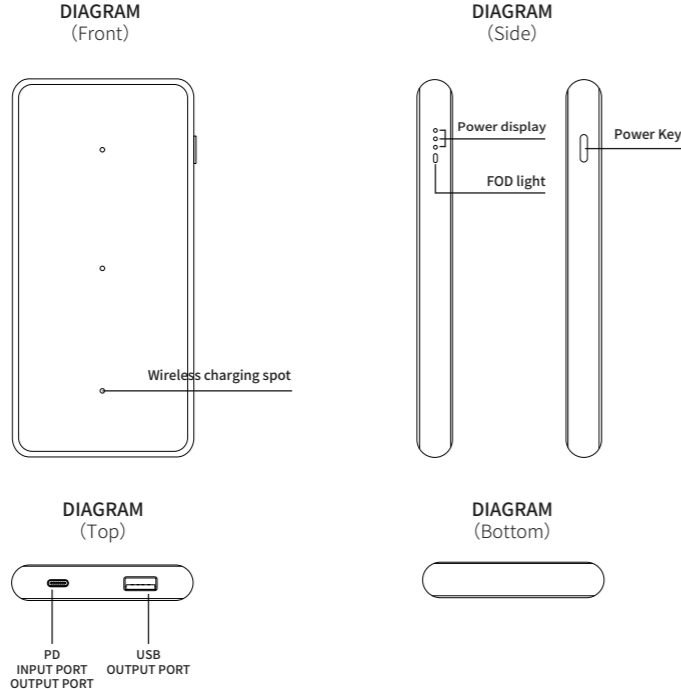
Thank you for choosing this product. It is our honor to provide the amazing product and service to you. To obtain the best performance and ensure years of trouble free use, please read this instruction manual carefully and take good care of this.

INSTRUCTION

This Wireless Power Bank (hereinafter called the 'WPB ') combines a 10000mAh capacity battery, two small-size magnetic coils for Apple watch and three large-size magnetic coils for Airpods2, smart phone that supports wireless charging. It provides an USB output ports and one TYPE-C input port, also has a FOD (Foreign object detecting) light and 3-modes power display. WPB supports PD, QC3.0 and up to three devices for charging in the same time.

FEATURE

Safe: WPB supports Pass-Through charging, Over Current protection, Over Discharging protection, Short Circuit Protection and multi techniques to keep batter safe.
 Wireless: 5W\7.5W\10W\ high-speed wireless charging.
 Speed: up to 18W input, up to 18W output.
 Compatibility: Apple Watch (all series), AirPods, Airpods2 (wireless charging) and the entire smart phone that supports wireless charging.



PARAMETER

Name: Wireless Power Bank
Module: Y2
Type of battery: High-Density Polymer
Capacity: 10000mAh
Type-C Input: 5V-2A / 9V-2A / 12V-1.5A(PD3.0)
Type-C Output: 5V-3A / 9V-2A / 12V-1.5A(PD3.0)
USB Output: 5V-2A
Wireless Output: 5W / 7.5W / 10W (Max)
Size: 160X77X13mm
Weight: 227g

CHARGING STATUS DESCRIPTION

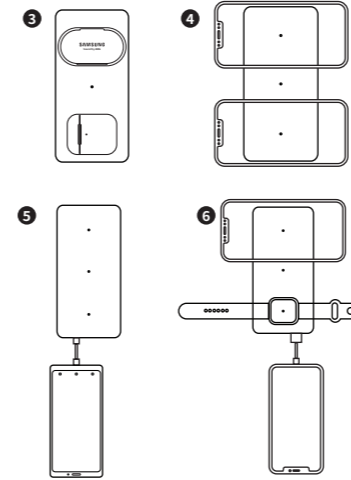
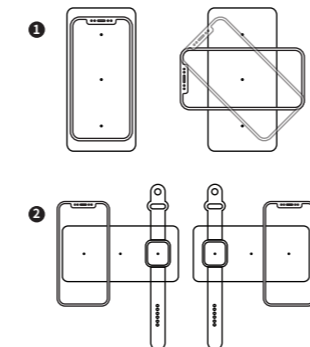
Power display	○○○	○○	○
Batter capacity (%)	100%~67%	66%~34%	33%~0%

WIRELESS CHARGING STATUS DESCRIPTION

FOD light (Twinkle)	Wireless Charging is starting
FOD light (white)	operating
FOD light (red)	inaccurate placement metal detecting

How to use the WPB

1. Wireless charging for one smartphone (While the middle of charging spot is occupied, other wireless charging area would be in sleep state)
2. Wireless charging for Apple Watch and smartphone in the same time
3. Wireless charging for AirPods2 / Pro or Galaxy Buds
4. Wireless charging for Apple two smartphone in the same time
5. Support PD output and input
6. Wireless charging for two devices and USB charging for one device in the same time



AFTER-SALES SERVICE

All products purchased from our company are guaranteed to keep in good repair for one year.

If quality problems happen in guarantee period, our company will maintain for free. Additionally, our company provides technical support and fittings for lifetime. and we don't restrict After-sales service.

We will assign technical personnel to solve your problems immediately after receiving telephone and hear feedback idea of users and deal with them in time. If you are caught in some problems when using our products, welcome to contact us at any time.

MATTERS NEED ATTENTION

1. Please ensure fully charged before first used.
2. Using the third manufacture's cable or adapter that over 18W for WPB is fine.
3. When power display in low-capacity mode or is off, please connect to the external charger for charging.
4. When Over Current or other issues cause the WPB get into the state, connect it to external charger can be resume.
5. When wireless-charging function works abnormally, please press the power button and let the product restart for recovery.
6. Take care of the WPB whether you are using or laying it up. Prevent shocking or working in a high temperature.
7. Wireless charging should not be used under high-temperature environment, it may decrease the wireless charging efficiency.
8. Charging your phone by USB output port directly, it won't turn on wireless charging function until you press the power button.

⚠ PAY ATTENTION

1. High-Density Polymer battery is inside in this product, unauthorized disassembly of any parts of this product is forbidden.
2. Any squeezing, piercing or placing the product into water, fire or using the product in the environment that higher than 60°C is forbidden.

Now the following situation cannot enjoy my company exchange commitment.

- a. The product was not normal use.
 - b. Abnormal conditions, wet storage.
 - c. Unauthorized repair, misuse, abuse and change.
 - d. Food and liquid splash damage to the.
 - e. Products of the normal wear and tear.
- Notice: data-recovery not include in our service



Wireless Power Bank 无线充电宝产品说明书

感谢您体验我们的产品,我们非常荣幸为您提供优质的产品和服务,为了您更方便的使用,请您仔细阅读此用户指南,以确保安全和满意的操作,另请妥善保管好此手册。

产品简介

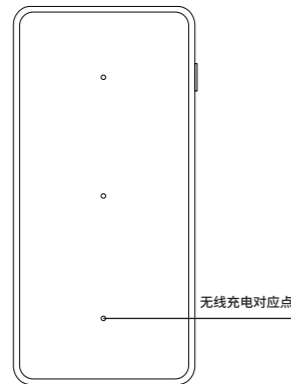
Wireless Power Bank无线充电宝(以下简称WPB)是一款便携式大容量无线充电宝,外观简洁全面一体,手感圆润舒适,内置10000mAh高密度聚合物电池,三颗手机大线圈和两颗Apple Watch线圈,配置USB-A输出加一枚Type-C输出和输入口,以及三颗电源指示灯和一颗无线充电提示灯。

WPB支持、PD协议、QC3.0协议的安卓设备有线及无线快充,苹果无线快充和Apple Watch(全部型号)无线快充,支持同时最多给三台设备充电。

产品特征

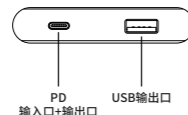
安全:WPB采用多项保护设计,拥有过充、过放、过压、欠压、过热、短路等多重安全功能保护。
无线:10W(MAX)无线输出,7.5W(MAX)无线输出。
有线:18W(MAX)有线输入,18W(MAX)有线输出。
兼容:支持主流手机和数码设备以及Apple Watch(全部型号),支持主流快充设备。

简介图 (正面)



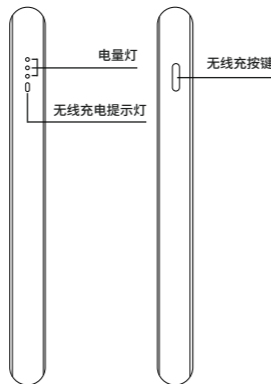
无线充电对应点

简介图 (顶部)



PD 输入口+输出口
USB输出口

简介图 (侧面)



电量灯

无线充电提示灯

无线充电按键

简介图 (底部)



基本参数

产品名称:Wireless Power Bank无线充电宝
产品型号:Y2
电池类型:高密度聚合物电池
电池容量:10000mAh
Type-C输入:5V-2A / 9V-2A / 12V-1.5A(PD3.0)
Type-C输出:5V-3A / 9V-2A / 12V-1.5A(PD3.0)
USB输出:5V-2A
无线输出:5W / 7.5W / 10W (Max)
产品尺寸:160X77X13mm
产品净重:227g

输入充电说明

使用适配器连接,可实现对本产品充电,充电时,电量灯显示状态与电量对应关系如下:

电量灯(亮)	○○○	○○	○
电量(%)	100%-67%	66%-34%	33%-0%

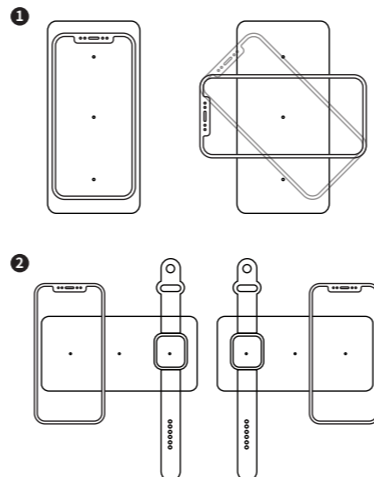
无线充电说明

使用具有无线充电功能的数码设备,放置于无线充电对应点下进行无线充电,充电提示如下:

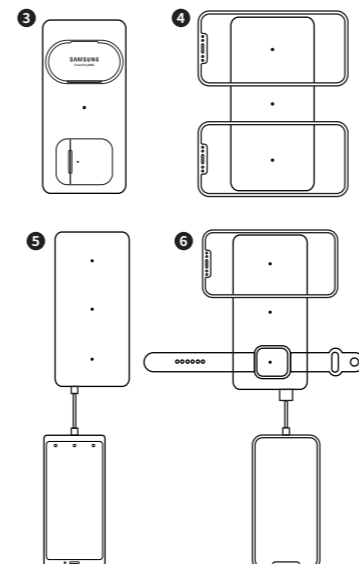
无线充电提示灯(闪烁)	无线充正在启动	
无线充电提示灯(白色)	可正常充电	
无线充电提示灯(红色)	位置错误	有异物

Wireless Power Bank无线充电宝使用

- 1、给一部手机无线充电
(当中间的充电区域在使用时,其他无线充电区域将处于休眠状态)
- 2、同时给一部手机和一部Apple Watch无线充电
- 3、随意给AirPods2 / Pro或Galaxy Buds无线充电



- 4、同时给两部手机无线充电
- 5、支持PD输出和输入
- 6、同时给三个电子设备无线/有线充电



售后服务

我司提供的产品严格按照国家规定实行三包:产品保修一年。
无线充电宝售后服务严格依据《中华人民共和国消费者权益保护法》、《中华人民共和国产品质量法》实行售后三包服务,服务内容如下:

- 1、自您签收该产品7日内,本产品出现《产品性能故障表》所列性能故障情况,经我们售后服务检测确定,可免费享受退货或换货服务。
- 2、自您签收该产品8日-15日内,本产品出现《产品性能故障表》所列性能故障情况,经我们售后服务检测确定,可免费享受换货或者维修服务。
- 3、自您签收该产品12个月内,本产品出现《产品性能故障表》所列出的性能故障情况,经我们售后服务检测确定,可免费享受维修服务。

产品性能故障表

名称	性能故障
TOUCH POWER 无线充电宝	1.因结构或材质因素造成的外壳破损 2.无法为手机等数码设备供电

注意事项

- 1、首次使用请将本产品充满电。
- 2、在给本产品充电或给数码产品供电可自行选择功率18W以上的适配器和Type-C连接线。

3、在给其他产品充电时,若充电指示灯只剩一颗亮或者全部不亮,则表明本产品电量不足,请尽快充电。

4、当本产品由于输出短路等原因进入保护状态(电量灯无显示),需通过外部充电器进行充电操作即可恢复。

5、当本产品的无线充电识别功能不正常时,可通过按下按键重启即可恢复,携带请做好减震等防护措施。

6、使用及保存无线充电宝时注意使用场景,避免震动和在高温环境下使用。

7、以防无线充电效率降低,请尽量避免在高温的环境下使用无线充电功能。

8、直接通过USB连接,对手机进行充电并不会开启无线充电功能,您需要按电源键以开启无线充电功能。

⚠ 注意事项

- 1、本产品含聚合物电芯,严禁私自拆开产品外壳,避免可能造成的电芯损坏或其他危险。
- 2、严禁任意拆解、挤压、穿刺本产品或投入水、火中或在高于60°C(140°F)的环境中使用。

非保修条例

- 1、未经授权的维修、不正确使用非本产品配件,撕毁、涂改标贴,滥用导致人为损坏;
- 2、超过三包有效期;
- 3、因不可抗力因素造成的损坏;
- 4、不符合上述《产品性能故障表》所列性能故障情况。

MANUAL

FCC Statement

This device complies with part 15 of the FCC Rules. Operation is subject to the following two conditions:

(1) This device may not cause harmful interference, and (2) this device must accept any interference received, including interference that may cause undesired operation.

Any Changes or modifications not expressly approved by the party responsible for compliance could void the user's authority to operate the equipment.

Note: This equipment has been tested and found to comply with the limits for a Class B digital device, pursuant to part 15 of the FCC Rules. These limits are designed to provide reasonable protection against harmful interference in a residential installation. This equipment generates uses and can radiate radio frequency energy and, if not installed and used in accordance with the instructions, may cause harmful interference to radio communications. However, there is no guarantee that interference will not occur in a particular installation. If this equipment does cause harmful interference to radio or television reception, equipment generates, uses and can radiate radio frequency energy and, if not installed and used in accordance with the instructions, may cause harmful interference to radio communications. However, there is no guarantee that interference will not occur in a particular installation.

If this equipment does cause harmful interference to radio or television reception, —Reorient or relocate the receiving antenna.

—Increase the separation between the equipment and receiver.

Connect the equipment into an outlet on a circuit different from that to which the receiver is connected.

—Consult the dealer or an experienced radio/TV technician for help.

FCC RF Radiation Exposure Statement

The device has been evaluated to meet general RF exposure requirement. The device can be used in portable exposure condition without restriction