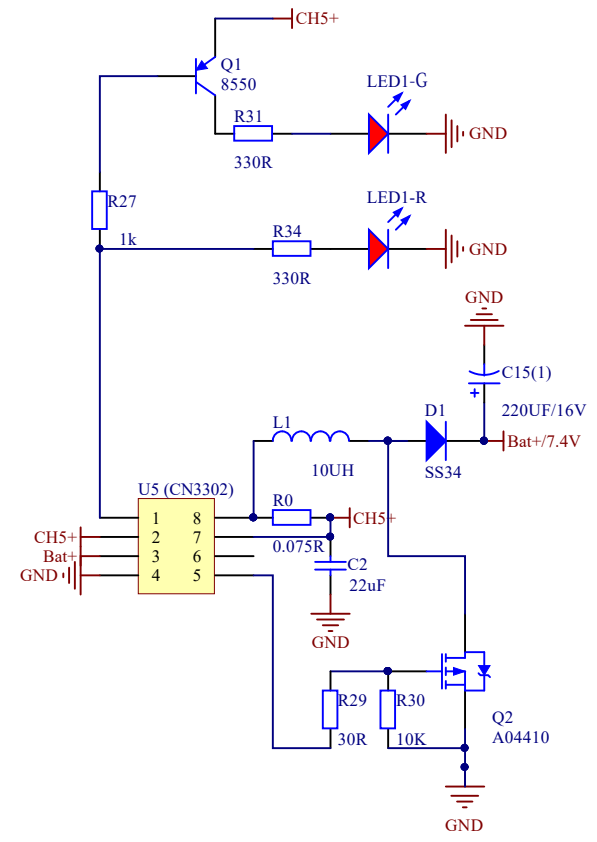
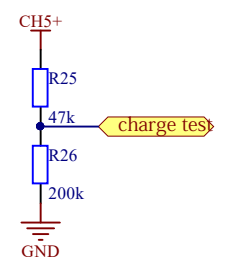
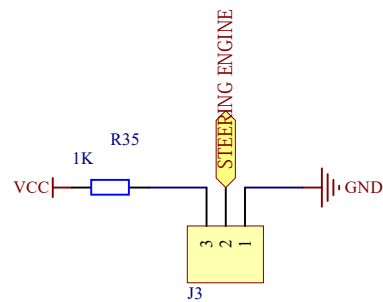
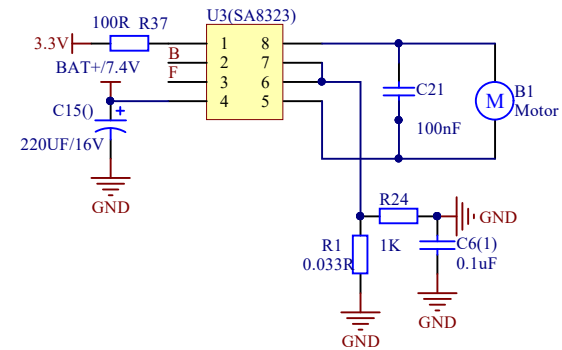
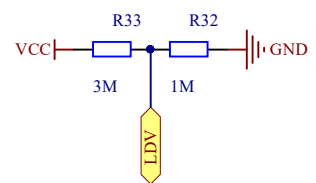
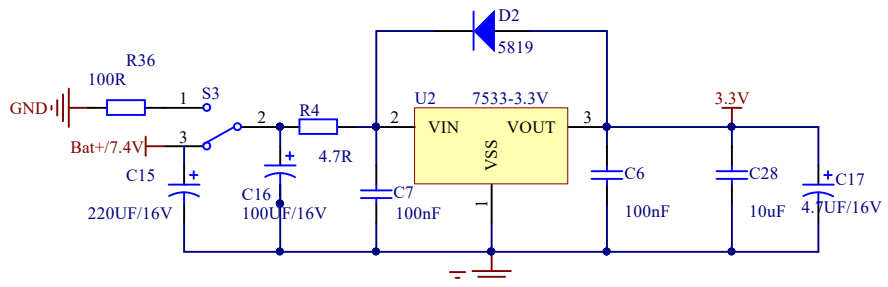
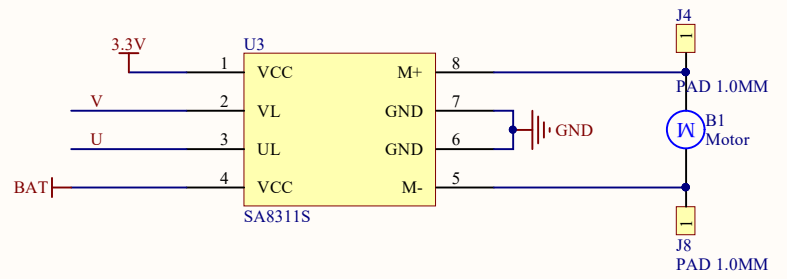
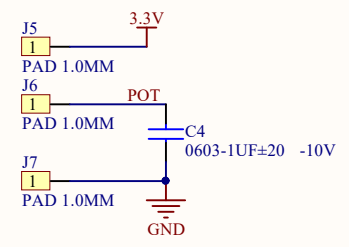
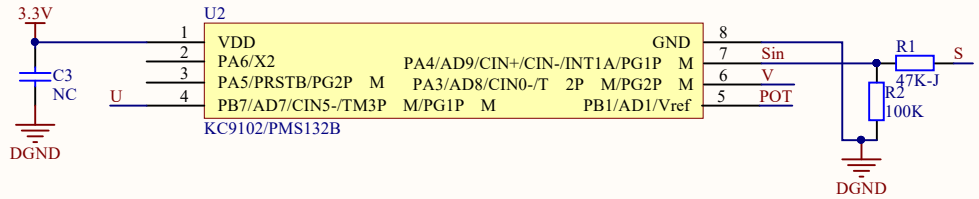
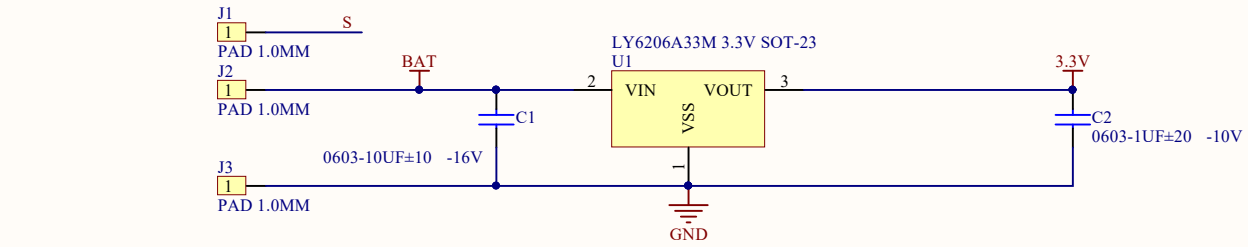


PAN2416AF-SOP14





Title		
Size	Number	Revision
A4		
Date:	2021/8/9	Sheet of
File:	D:\舵机原理图\Sheet1.SchDoc	Drawn By: