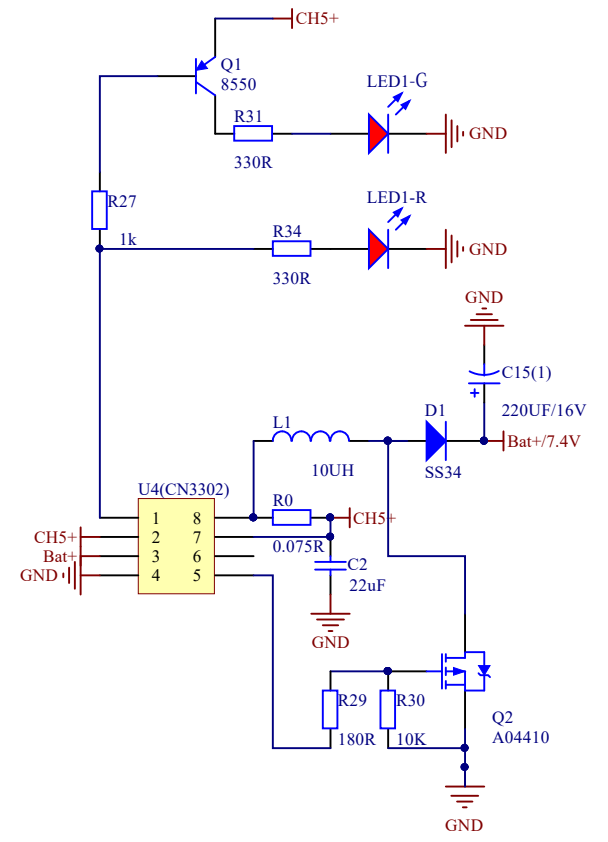
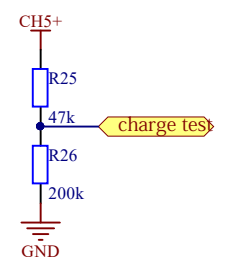
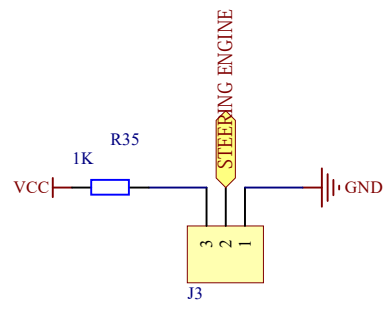
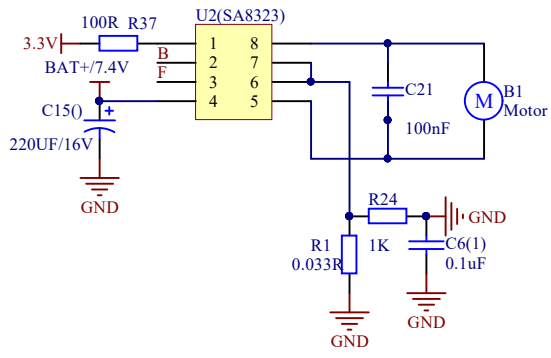
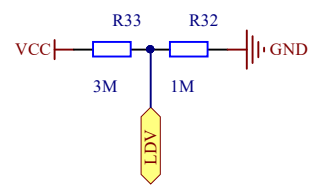
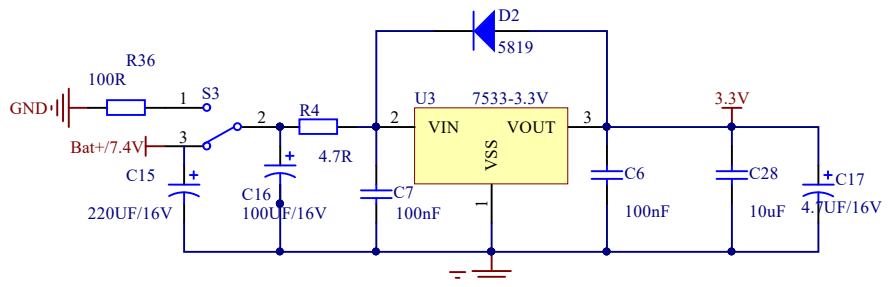
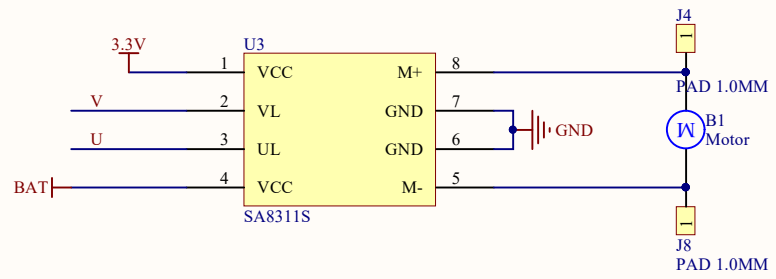
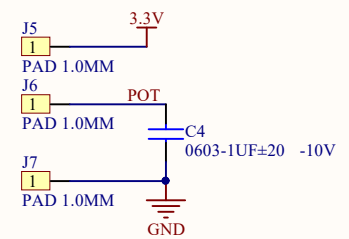
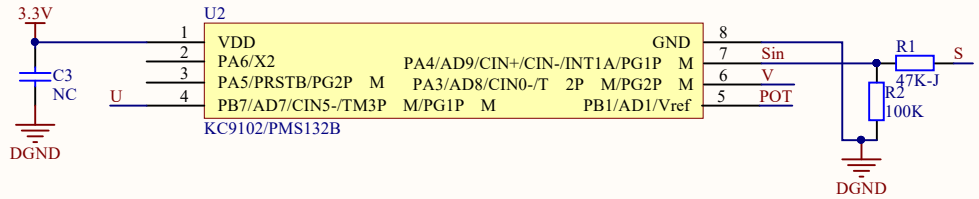
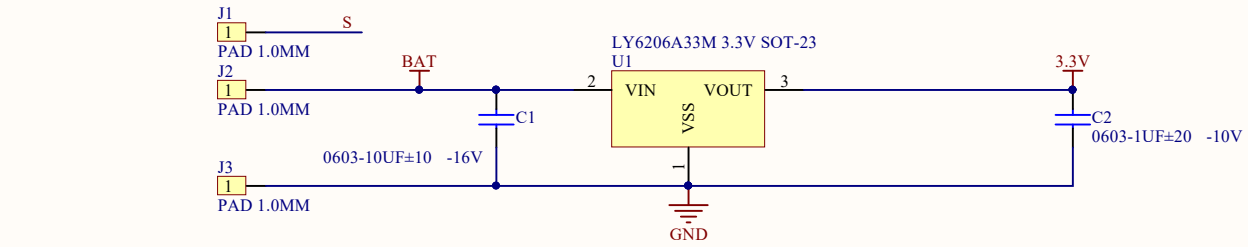


PAN2416AF-SOP14





Title		
Size A4	Number	Revision
Date: 2021/8/9	Sheet of	
File: D:\舵机原理图\Sheet1.SchDoc	Drawn By:	