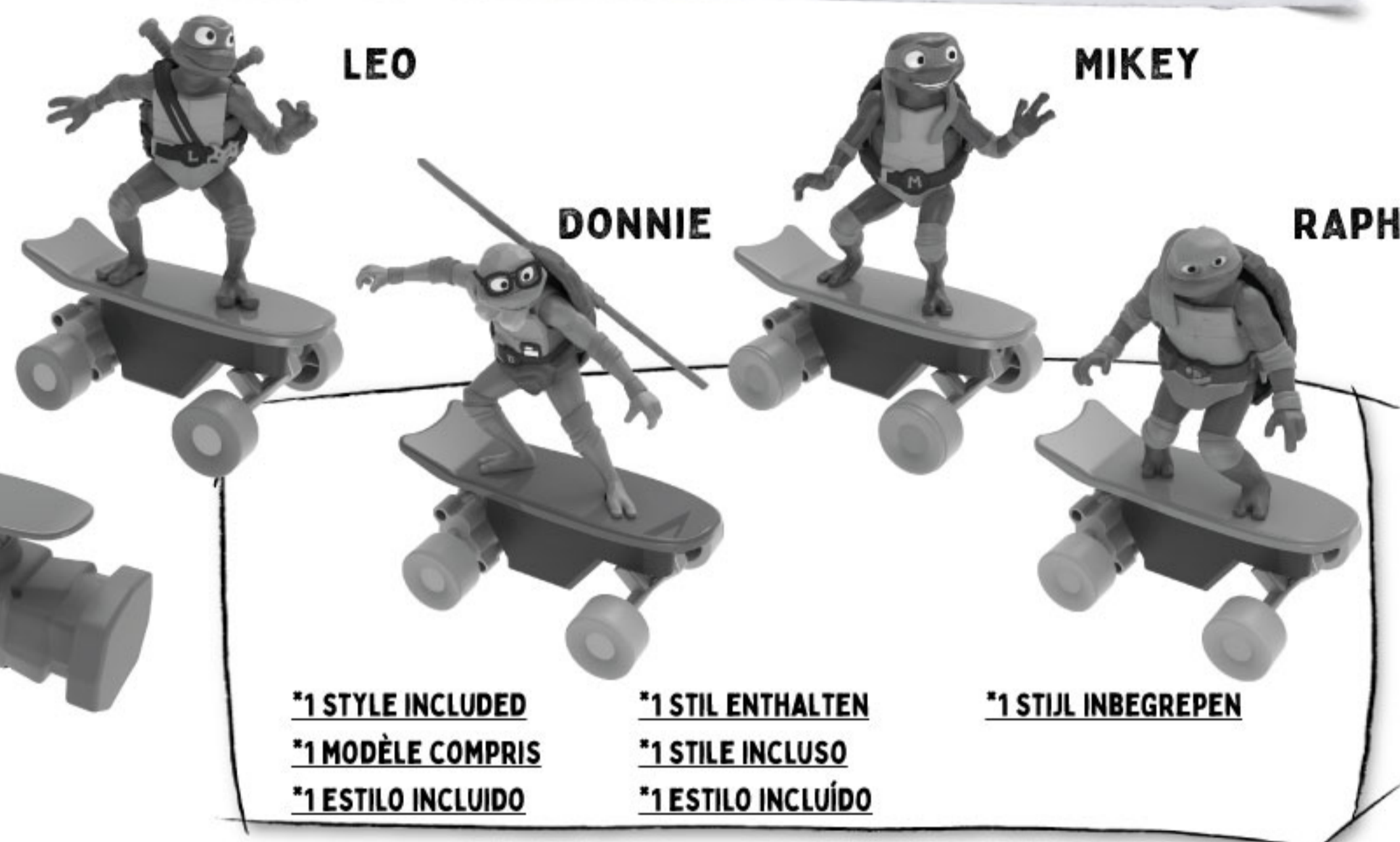




HALF PIPE RC™



GB CONTENTS **F CONTENU** **E CONTENIDO** **D INHOUD**
I CONTENUTO **P CONTEÚDOS** **NL INHALT**



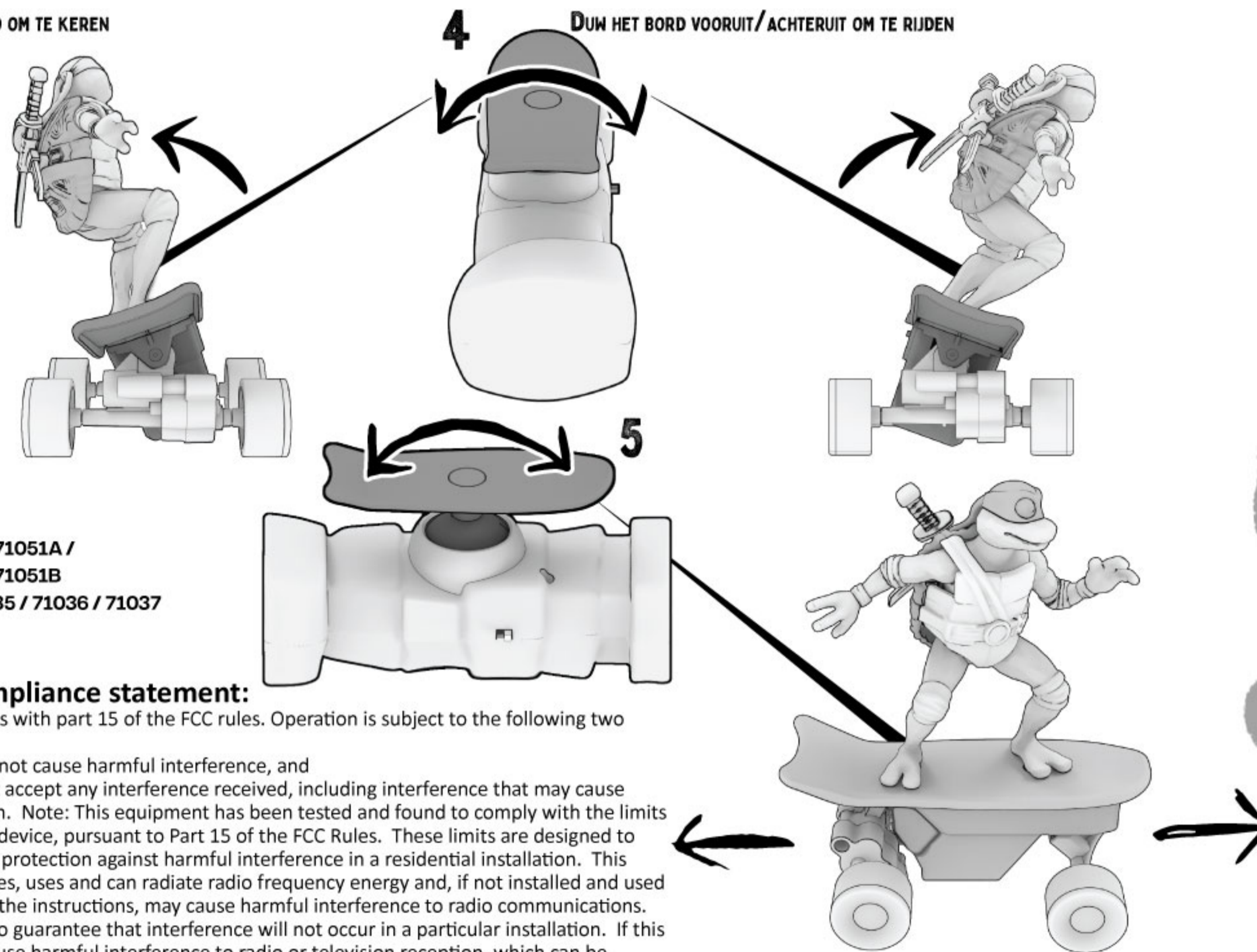
***1 STYLE INCLUDED**
***1 MODÈLE COMPRIS**
***1 ESTILO INCLUIDO**

***1 STIL ENTHALTEN**
***1 STILE INCLUSO**
***1 ESTILO INCLUIDO**

***1 STIJL INBEGREPEN**

GB REMOTE FUNCTIONS **F FONCTIONS DE LA TÉLÉCOMMANDE** **E FUNCIONES DEL MANDO**
D AFSTANDSBEDIENINGSFUNCTIES **I FUNZIONI DEL RADIOCOMANDO**
P FUNÇÕES DO CONTROLE REMOTO **NL FERNSTEUERUNG**

- 4** TILT BOARD ON CONTROLLER TO TURN
 INCLINER LA PLANCHE POUR TOURNER
 INCLINE AL TABLA PARA GIRAR
 BRETT KIPPEN, UM ES ZU DREHEN
 INCLINA LA TAVOLA PER GIRARLA
 INCLICA A PLACA PARA VIRAR
 KANTEL BORD OM TE KEREN
- 5** PUSH/PULL BOARD FORWARD/BACKWARD TO DRIVE
 Poussez le tableau en avant/Tirez le tableau en arrière pour conduire
 Presione/Empuje la tabla hacia delante/atrás para conducirla
 Bewegen Sie das Brett vorwärts/rückwärts, um zu fahren
 Spingi la tavola in avanti/indietro per guidare
 Empurra a placa para a frente/trás para conduzir
 DUM HET BORD VOORUIT/ACHTERUIT OM TE RIJDEN



FCC ID: 2AWSR-F71051A /
 FCC ID: 2AWSR-F71051B
 PMN: 71034 / 71035 / 71036 / 71037

FCC label compliance statement:

This device complies with part 15 of the FCC rules. Operation is subject to the following two conditions:
 1. This device may not cause harmful interference, and
 2. This device must accept any interference received, including interference that may cause undesired operation. Note: This equipment has been tested and found to comply with the limits for a Class B digital device, pursuant to Part 15 of the FCC Rules. These limits are designed to provide reasonable protection against harmful interference in a residential installation. This equipment generates, uses and can radiate radio frequency energy and, if not installed and used in accordance with the instructions, may cause harmful interference to radio communications. However, there is no guarantee that interference will not occur in a particular installation. If this equipment does cause harmful interference to radio or television reception, which can be determined by turning the equipment off and on, the user is encouraged to try to correct the interference by one or more of the following measures:
 - Reorient or relocate the receiving antenna
 - Increase the separation between the equipment and receiver
 - Connect the equipment into an outlet on a circuit different from that to which the receiver is connected
 - Consult the dealer or an experienced radio/TV technician for help
Warning: Changes or modifications to this unit not expressly approved by the party responsible for compliance could void the user's authority to operate the equipment.

* All instruction sheets must be retained since it contains important information.
 * Toutes les fiches d'instructions contiennent des informations importantes et doivent donc être conservées.* Debe conservar todas las hojas de instrucciones porque contienen información importante.* Alle Anleitungen müssen aufbewahrt werden, da sie wichtige Informationen enthalten.* Alle instructiebladen moeten worden bewaard, omdat ze belangrijke informatie bevatten.* Tutte le istruzioni vanno conservate, in quanto contengono informazioni importanti.* Todos os manuais de instruções devem ser preservados, pois contém informações importantes.

We reserve the right to improve/amend specifications and colors without notice.
 Nous nous réservons le droit d'améliorer ou de modifier les caractéristiques et les couleurs sans avertissement.
 Nos reservamos el derecho a mejorar/corregir especificaciones y colores sin previo aviso.
 Wir behalten uns das recht vor, spezifikationen und farben ohne vorankündigung zu verbessern/zu ändern.
 Ci riserviamo il diritto di migliorare/rivedere specifiche e colori senza preavviso.
 Reservamos o direito de melhorar ou alterar especificações e cores sem aviso prévio.
 We behouden ons het recht voor om specificaties en kleuren zonder voorafgaande kennisgeving te verbeteren/wijzigen.

GB POWER **F ALIMENTATION** **E ALIMENTACIÓN** **D LEISTUNG** **I ENERGIA**
P ALIMENTAÇÃO ELÉTRICA **NL STROOM**

- 1** BATTERIES AAA: 2(NOT INCLUDED)
 PILAS: 2x AAA (NON FOURNIES)
 BATERÍAS: 2 TIPO AAA (NO INCLUIDAS)
 BATTERIEN: 2x AAA (NIET INBEGREPEN)
 PILE: 2 AAA (NON INCLUDE)
 PILHAS: 2 AAA (NÃO INCLUSAS)
 BATTERIEN: 2 AAA (NICHT ENTHALTEN)

- 2** LED INDICATOR
 PAIRING: FAST BLINKING GREEN
 POWER ON: GREEN
 CHARGING: RED
 FULLY CHARGED: GREEN
 LOW BATTERY: SLOW BLINKING GREEN

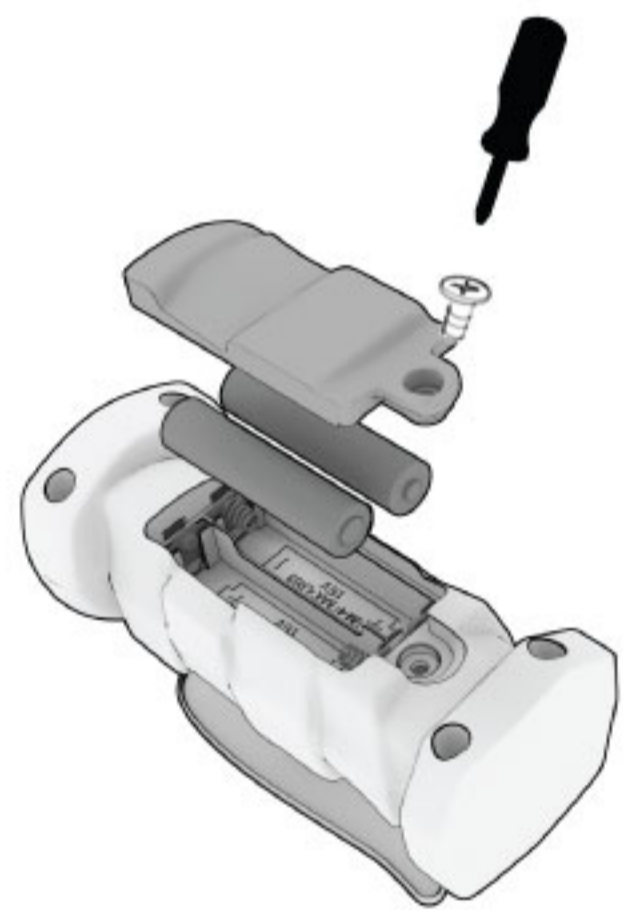
- LED-ANZEIGE**
 VERBINDUNG: BLINKT SCHNELL GRÜN
 EINGESCHALTET: GRÜN
 LÄDT: ROT
 VOLLSTÄNDIG GELADEN: GRÜN
 NIEDRIGER BATTERIESTATUS: BLINKT LANGSAM GRÜN

- INDICADOR LED**
 A EMPARELHAR: VERDE INTERMITENTE RÁPIDO
 LIGADO: VERDE
 A CARREGAR: VERMELHO
 CARGA A 100%: VERDE
 BATERIA FRACA: VERDE INTERMITENTE

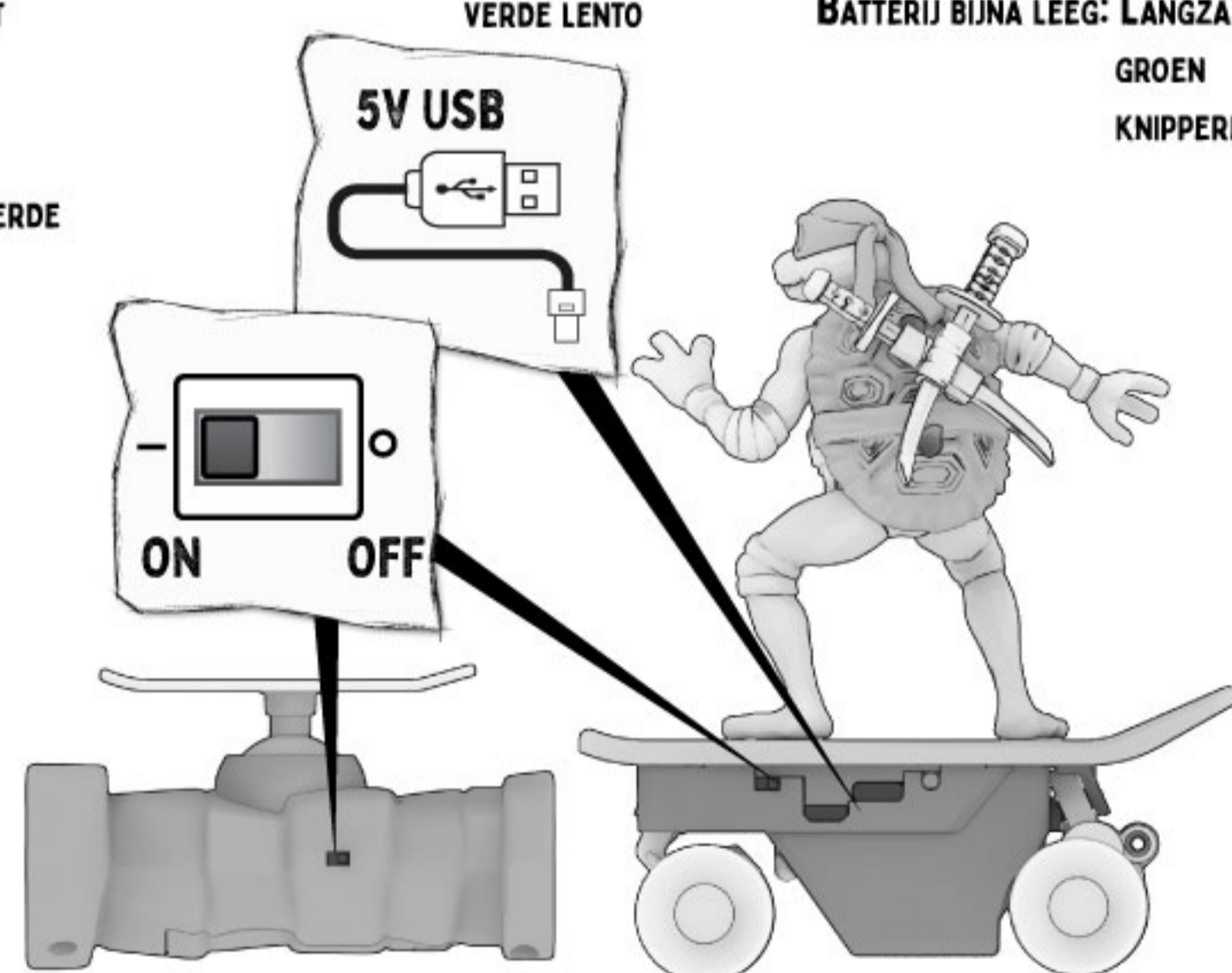
- INDICATEUR LED**
 APPARIEMENT: VERT CLIGNOTANT RAPIDEMENT
 EN MARCHÉ: VERT
 EN CHARGE: ROUGE
 COMPLÈTEMENT CHARGÉ: VERT
 BATTERIE FAIBLE: VERT CLIGNOTANT LENTEMENT

- INDICATORE LED**
 ABBINAMENTO: LAMPEGGIAMENTO VERDE RAPIDO
 ACCENSIONE: VERDE
 RICARICA: ROSSO
 RICARICA COMPLETA: VERDE
 LIVELLO DI BATTERIA BASSO: LAMPEGGIAMENTO VERDE LENTO

- LED-LAMPJE**
 KOPPELEN: SNEL GROEN KNIPPEREND
 AAN HET LADEN: GROEN
 CHARGING: ROOD
 BATTERIJFOUT: GROEN
 BATTERIJ BIJNA LEEG: LANGZAAM GROEN KNIPPEREND



- INDICADOR LED**
 VINCULANDO: PARPADEO RÁPIDO VERDE
 ENCENDIDO: VERDE
 CARGANDO: ROJO
 CARGA COMPLETADA: VERDE
 BATERÍA BAJA: PARPADEO LENTO VERDE



- 3** TURN ON REMOTE AND SKATEBOARD
 ALLUMER LA TÉLÉCOMMANDE ET FAIRE DE LA PLANCHE À ROULETTES
 ENCIENDA EL CONTROL REMOTO Y EL MONOPATÍN
 FERNBEDIENUNG UND SKATEBOARD EINSCHALTEN
 ACCENDI IL TELECOMANDO E LO SKATEBOARD
 LIGA O COMANDO E O SKATEBOARD
 AFSTANDSBEDIENING EN SKATEBOARD INSCHAKELEN

Can be charged through either the USB-C or Micro USB ports. Includes only Micro USB charging cable.
 Peut être chargé à l'aide soit des ports USB-C ou des ports Micro USB. Comprend uniquement un câble de chargement Micro USB.
 Puede cargarse tanto con un puerto USB-C o uno de Micro USB. Incluye únicamente un cable de carga Micro USB.
 Kann entweder über USB-C oder über Micro-USB aufgeladen werden. Enthält nur ein Micro-USB-Ladekabel.
 Può essere ricaricato tramite le porte USB-C o Micro USB. Include solo cavo di ricarica Micro USB.
 Pode ser carregado através de portas USB-C ou Micro USB. Inclui apenas o cabo de carregamento para Micro USB.
 Kan zowel via de USB-C- als Micro USB-poorten worden opgeladen. Bevat alleen een micro-USB-oplaadkabel.



© 2023 VIACOM.

nickelodeon MOVIES



©2023 Paramount Pictures. All Rights Reserved. TEENAGE MUTANT NINJA TURTLES and all related titles, logos and characters are trademarks of Viacom International Inc.

© 2023 Paramount Pictures. Tous droits réservés. Teenage Mutant Ninja Turtles et tous les autres titres, logos et personnages qui y sont associés sont des marques de commerce de Viacom International Inc.

© 2023 Paramount Pictures. Todos los derechos reservados. Teenage Mutant Ninja Turtles y todos los títulos, logotipos y personajes del mismo género son marcas de Viacom International Inc.

TEENAGEMUTANTNINJATURTLESMOVIE.COM

© 2023 Paramount Pictures. Alle rechten voorbehouden. Teenage Mutant Ninja Turtles en alle titels, logo's en figuren die daarmee verband houden, zijn handelsmerken van Viacom International Inc.

© 2023 Paramount Pictures. Tutti i diritti sono riservati. Teenage Mutant Ninja Turtles e tutti i relativi titoli, loghi e personaggi sono marchi della Viacom International Inc.

© 2023 Paramount Pictures. Todos os direitos reservados. Teenage Mutant Ninja Turtles e todos os títulos, logotipos e personagens relacionados são marcas de Viacom International Inc.

© 2023 Paramount Pictures. Alle Rechte vorbehalten. Teenage Mutant Ninja Turtles Titel, Logos und Figuren sind Warenzeichen von Viacom International Inc.