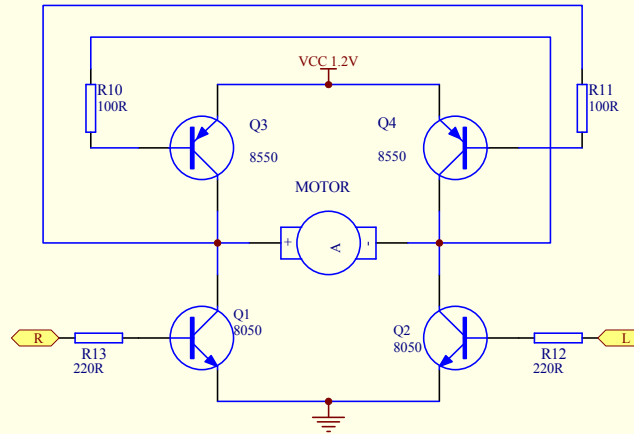
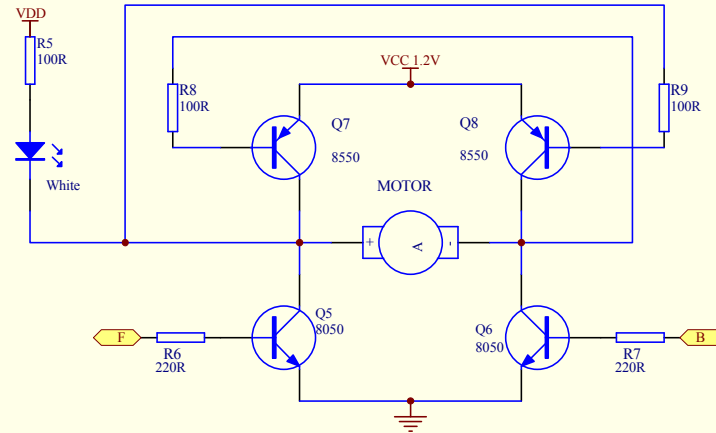
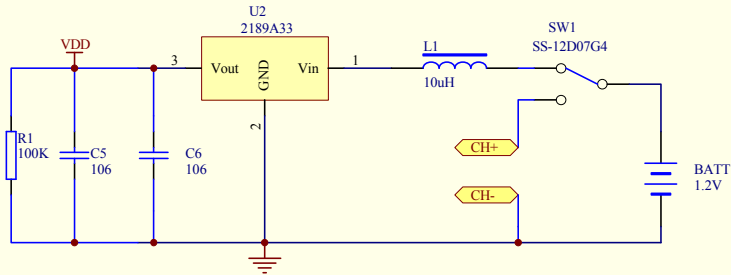
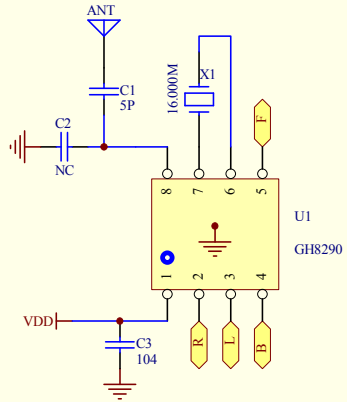


RX



Title #71049R(2.4G)

Size A4	Number	Revision
Date: 21-Dec-2022	Sheet of	
File: E:\WINJHJH2020.ddb	Drawn By:	