

#71038 INST\_US

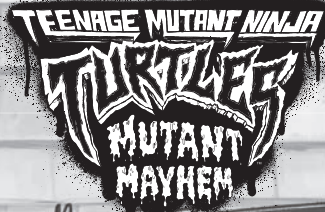
SIZE: 149 x 209 mm

BLANK SIZE: 298 X 209 mm

JOB NO.: T-071-22

DATE: MAR 22, 2023

nickelodeon

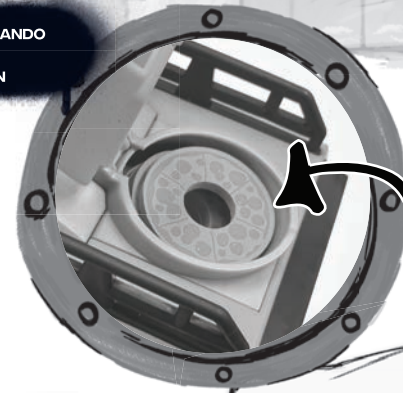


# PIZZA BLASTER RC™

•CONTENTS •CONTENU •CONTENIDO  
•INHALT •CONTENUTI •CONTEÚDO  
•INHOUD

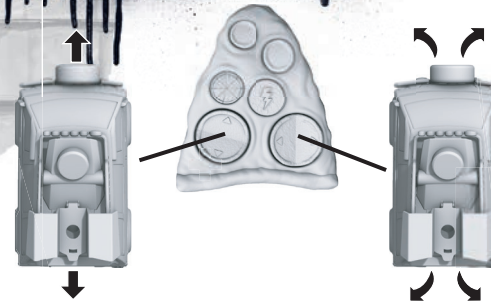


•LOADING •CHARGEMENT •CARGANDO  
•WIRD GELADEN •CARICAMENTO  
•A CARREGAR •BEZIG MET LADEN



•LOAD 6 FOAM PIZZAS  
•CHARGER 6 PIZZAS EN MOUSSE  
•CARGUE 6 PIZZAS DE ESPUMA  
•6 SCHAUMPIZZEN LADEN  
•CARICARE 6 PIZZE DI SCHIUMA  
•CARREGAR 6 PIZZAS DE ESPUMA  
•LAAD 6 SCHUIMPIZZA'S

•DRIVING •CONDUIRE •CONDUCIENDO •FAHREN  
•GUIDA •A CONDUZIR •RIJDEN



①  
•PRESS TO POWER BLASTER  
•APPUYER POUR ALLUMER L'ALLUMEUR  
•PULSE PARA ENCENDER EL IMPULSADOR  
•DRÜCKEN, UM SPRENGER ZU RÜSTEN

•PREMI PER ALIMENTARE IL BLASTER  
•PRIME PARA DISPARAR COM FORÇA  
•DRUK OM DE BLASTER AAN TE ZETTEN

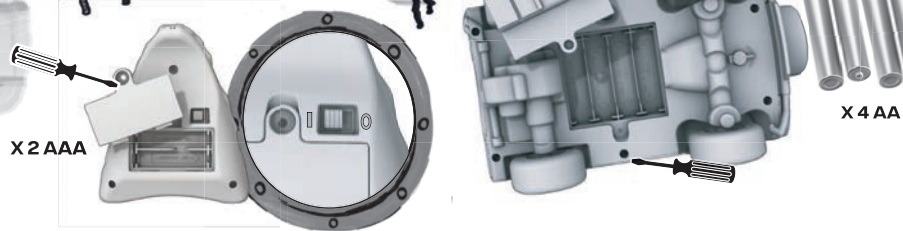
②  
•PRESS TO BLAST  
•APPUYER POUR FAIRE EXPLOSER

•PULSE PARA IMPULSAR  
•DRÜCKEN, UM ZU SPRENGEN

•PREMERE PER SPARARE.  
•PRIME PARA D'ISPARAR  
•DRUK OM TE SCHIETEN

•BLASTING •EXPLOSION •IMPULSANDO  
•SPRENGEN •ESPLOSIONE •A DISPARAR  
•DOORSCHIETEN

•BATTERY INSTALLATION •INSTALLATION DE LA BATTERIE  
•INSTALACIÓN DE LA BATERÍA •INSTALLEREN VAN BATTERIJEN  
•INSTALLARE LA BATTERIA •INSTALAÇÃO DA BATERIA  
•EINSETZEN DER BATTERIEN



X 2 AAA

X 4 AA

\* ALL INSTRUCTION SHEETS MUST BE RETAINED SINCE IT CONTAINS IMPORTANT INFORMATION.  
\* TOUTES LES FICHES D'INSTRUCTIONS CONTIENNENT DES INFORMATIONS IMPORTANTES ET DOIVENT DONC ÊTRE CONSERVÉES.  
\* DEBE CONSERVAR TODAS LAS HOJAS DE INSTRUCCIONES PORQUE CONTIENEN INFORMACIÓN IMPORTANTE.  
\* ALLE ANLEITUNGEN MÜSSEN AUFBEWAHRT WERDEN, DA SIE WICHTIGE INFORMATIONEN ENTHALTEN.  
\* ALLE INSTRUCTIEBLADEN MOETEN WORDEN BEWAARD, OMDAT ZE BELANGRIJKE INFORMATIE BEVATTEN.  
\* TUTTE LE ISTRUZIONI VANNO CONSERVATE, IN QUANTO CONTENGONO INFORMAZIONI IMPORTANTI.  
\* TODOS OS MANUAIS DE INSTRUÇÕES DEVEM SER PRESERVADOS, POIS CONTÊM INFORMAÇÕES IMPORTANTES.



•WARNING. NOT SUITABLE FOR CHILDREN UNDER 36 MONTHS. SMALL PARTS. CHOKING HAZARD.  
•ATTENTION, NE CONVIENT PAS AUX ENFANTS DE MOINS DE TROIS (3) ANS. PETITS MORCEAUX ! DANGER D'ÉTOUFFEMENT.  
•ATENCIÓN. NO ES ADECUADO PARA NIÑOS MENORES DE 36 MESES. PARTES PEQUEÑAS. PELIGRO DE ASFIXIA.  
•ACHTUNG. NICHT GEEIGNET FÜR KINDER UNTER 3 JAHREN. KLEINTEILE. ERSTICKUNGSGEFAHR.  
•WAARSCHUWING, NIET GESCHIKT VOOR KINDEREN ONDER 3 JAAR. KLEINE ONDERDELEN. VERSTIKKINGSGEVAAR.  
•ATTENZIONE, NON ADATTO AI BAMBINI CON MENO DI 3 ANNI DI ETÀ. PEZZI PICCOLO. PERICOLO DI SOFFOCAMENTO.  
•ATENÇÃO. NÃO É ADEQUADO PARA CRIANÇAS COM MENOS DE 36 MESES. CONTÉM PEÇAS PEQUENAS. PERIGO DE ASFIXIA.

### FCC LABEL COMPLIANCE STATEMENT:

THIS DEVICE COMPLIES WITH PART 15 OF THE FCC RULES. OPERATION IS SUBJECT TO THE FOLLOWING TWO CONDITIONS: (1) THIS DEVICE MAY NOT CAUSE HARMFUL INTERFERENCE, AND (2) THIS DEVICE MUST ACCEPT ANY INTERFERENCE RECEIVED, INCLUDING INTERFERENCE THAT MAY CAUSE UNDESIRABLE OPERATION.

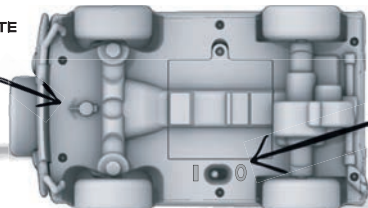
NOTE: THIS EQUIPMENT HAS BEEN TESTED AND FOUND TO COMPLY WITH THE LIMITS FOR A CLASS B DIGITAL DEVICE, PURSUANT TO PART 15 OF THE FCC RULES. THESE LIMITS ARE DESIGNED TO PROVIDE REASONABLE PROTECTION AGAINST HARMFUL INTERFERENCE IN A RESIDENTIAL INSTALLATION. THIS EQUIPMENT GENERATES, USES, AND CAN RADIATE RADIO FREQUENCY ENERGY AND, IF NOT INSTALLED AND USED IN ACCORDANCE WITH THE INSTRUCTIONS, MAY CAUSE HARMFUL INTERFERENCE TO RADIO COMMUNICATIONS. HOWEVER, THERE IS NO GUARANTEE THAT INTERFERENCE WILL NOT OCCUR IN A PARTICULAR INSTALLATION.

IF THIS EQUIPMENT DOES CAUSE HARMFUL INTERFERENCE TO RADIO OR TELEVISION RECEPTION, WHICH CAN BE DETERMINED BY TURNING THE EQUIPMENT OFF AND ON, THE USER IS ENCOURAGED TO TRY TO CORRECT THE INTERFERENCE BY ONE OR MORE OF THE FOLLOWING MEASURES:

- REORIENT OR RELOCATE THE RECEIVING ANTENNA.
- INCREASE THE SEPARATION BETWEEN THE EQUIPMENT AND RECEIVER.
- CONNECT THE EQUIPMENT TO AN OUTLET ON A CIRCUIT DIFFERENT FROM THAT TO WHICH THE RECEIVER IS CONNECTED.
- CONSULT THE DEALER OR AN EXPERIENCED RADIO/TV TECHNICIAN FOR HELP.

WARNING: CHANGES OR MODIFICATIONS TO THIS UNIT NOT EXPRESSLY APPROVED BY THE PARTY RESPONSIBLE FOR COMPLIANCE COULD VOID THE USER'S AUTHORITY TO OPERATE THE EQUIPMENT.

• STEERING TRIM  
• DIRECTION  
• TAPICERÍA DEL VOLANTE  
• STUURINRICHTING  
• STERZO REGOLABILE  
• AJUSTE DE DIREÇÃO  
• LENKHILFE



• TURN CAR SWITCH TO THE ON POSITION  
• METTEZ L'INTERRUPTEUR SUR ON  
• COLOCA EL INTERRUPTOR DEL COCHE EN LA POSICIÓN ON  
• ZET DE SCHUIFREGELAAR VAN HET AUTOOTJE OP ON  
• SPOSTARE L'INTERRUTTORE DELLA MACCHINA SU ON.  
• MUDE O BOTÃO DO CARRO PARA A POSIÇÃO ON  
• SCHALTER AMAUTO AUF AN STELLEN



© 2023 VIACOM.



nickelodeon MOVIES

©2023 Paramount Pictures. All Rights Reserved. TEENAGE MUTANT NINJA TURTLES and all related titles, logos and characters are trademarks of Viacom International Inc.

© 2023 Paramount Pictures. Tous droits réservés. Teenage Mutant Ninja Turtles et tous les autres titres, logos et personnages qui y sont associés sont des marques de commerce de Viacom International Inc.

© 2023 Paramount Pictures. Todos los derechos reservados. Teenage Mutant Ninja Turtles y todos los títulos, logotipos y personajes del mismo género son marcas de Viacom International Inc.

© 2023 Paramount Pictures. Alle rechten voorbehouden. Teenage Mutant Ninja Turtles en alle titels, logo's en figuren die daarmee verband houden, zijn handelsmerken van Viacom International Inc.

© 2023 Paramount Pictures. Tutti i diritti sono riservati. Teenage Mutant Ninja Turtles e tutti i relativi titoli, loghi e personaggi sono marchi della Viacom International Inc.

© 2023 Paramount Pictures. Todos os direitos reservados. Teenage Mutant Ninja Turtles e todos os títulos, logotipos e personagens relacionados são marcas de Viacom International Inc.

© 2023 Paramount Pictures. Alle Rechte vorbehalten. Teenage Mutant Ninja Turtles Titel, Logos und Figuren sind Warenzeichen von Viacom International Inc.

TEENAGEMUTANTNINJATURTLESMOVIE.COM