

Cette notice contient d'importantes informations sur la sécurité, les performances et l'entretien. Lisez-les et comprenez-les ainsi que les informations fournies par le fabricant de votre vélo avant d'utiliser le produit, et conservez-les pour référence ultérieure.

## Owner's Manual – The Bosch Drive System System Controller | Mini Remote

BRC3100 | BRC3300

**Robert Bosch GmbH**  
72757 Reutlingen  
Germany

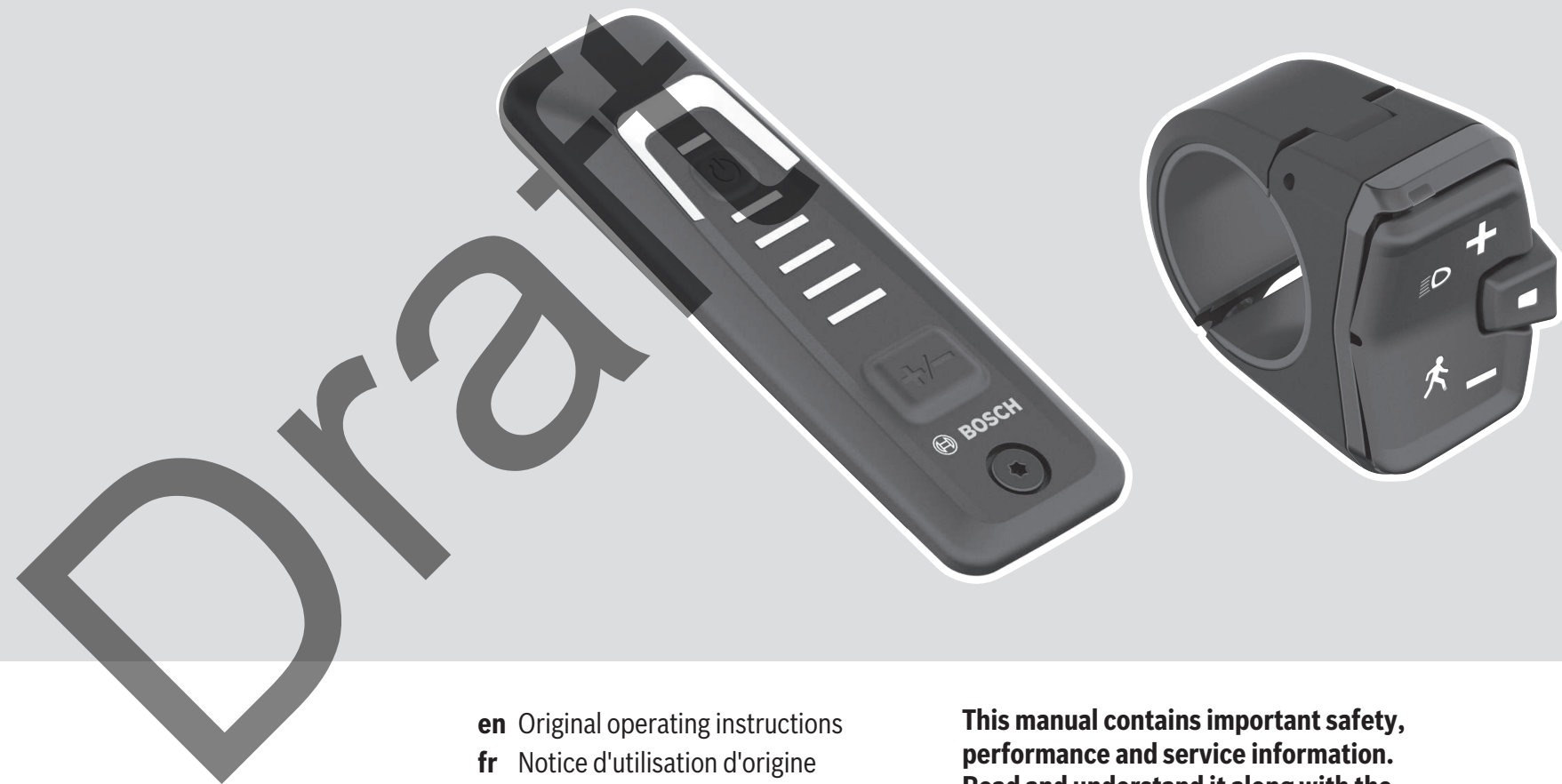
[www.bosch-ebike.com](http://www.bosch-ebike.com)

0 275 U07 3RC (2022.03) T / 52

**Este manual contiene información importante de seguridad, rendimiento y mantenimiento. Léalo y asegúrese de entenderlo junto con la información que le ha facilitado el fabricante de su bicicleta antes de usar el producto; guárdelo a modo de referencia.**

**en** Original operating instructions  
**fr** Notice d'utilisation d'origine  
**es** Instrucciones de servicio originales

**This manual contains important safety, performance and service information. Read and understand it along with the information provided to you by your bicycle manufacturer before using the product, and keep it for reference.**





Draft

# Table of Contents

Introduction .....	2
About Warnings .....	2
General Warnings .....	2
Using your Manual .....	3
Operating your Bosch Drive System .....	4
Safety Instructions .....	4
Intended Use .....	6
System Controller/Mini Remote Product Features .....	7
Technical Data .....	8
Operation .....	9
Maintenance and Service .....	15
Maintenance and Cleaning .....	15
After-sales service and advice on using products .....	15
Battery Recycling Program .....	16

Draft

# Introduction

## About Warnings

This manual contains many **DANGER**, **WARNING**, and **CAUTION** indicators concerning the consequences of failure to use, assemble, maintain, store, inspect and dispose of a Bosch-equipped eBike in a safe manner.

- The combination of the safety alert symbol and the word **DANGER** indicates a hazardous situation that, if not avoided, will result in death or serious injury.
- The combination of the safety alert symbol and the word **WARNING** indicates a hazardous situation that, if not avoided, could result in death or serious injury.
- The combination of the safety alert symbol and the word **CAUTION** indicates a hazardous situation that, if not avoided, could result in minor or moderate injury.

## General Warnings



**Read all safety warnings and all instructions.** Failure to follow the warnings and instructions may result in death or serious injury.

**Save all safety warnings and instructions for future reference.**

The term **battery pack** used in these operating instructions refers to all original Bosch eBike battery packs.

- ▶ **Read ALL accompanying manuals before riding the bike for the first time.** Your Bosch Drive System comes with additional manuals and documents provided by the manufacturer of the bicycle and other components. Failure to read and understand safety information can result in death or serious injury.

### **WARNING**

- ▶ **This manual contains important safety, performance and service information.** Read it before you take the first ride on your new bicycle, and keep it for reference. The manual can also be found online at [www.bosch-ebike.com](http://www.bosch-ebike.com).
- ▶ **This manual is intended to be read together with the separate user manual provided with your bicycle.** Be sure to read all provided documents including labels on the product before your first ride.

- ▶ **Take responsibility for your own SAFETY.** If you have any questions or do not understand something, consult with your dealer or the bicycle or component manufacturer.

- ▶ **Some eBike accessories may present a choking hazard to small children.** Keep these accessories away from children.

### **CAUTION**

- ▶ **The Bosch Drive System adds weight to your bicycle which you may not be used to lift.** Avoid injury, use proper lifting techniques.

## Using your Manual

In addition to the functions outlined here, changes to software relating to troubleshooting and functional modifications may be introduced at any time.

### Graphics

The bicycle shown in this manual may differ slightly from your bicycle, but will be similar enough to help you understand our instructions.

RIGHT-HAND and LEFT-HAND sides are determined by facing in the direction the bicycle will travel when going forward. When you see a broken line (-----), the item referred to is hidden from view.

Draft

# Operating your Bosch Drive System

## Safety Instructions



**Read all the safety information and instructions.** Failure to observe the safety information and follow instructions may result in electric shock, fire and/or serious injury.

**Save all safety warnings and instructions for future reference.**

The term **battery pack** used in these operating instructions refers to all original Bosch eBike battery packs.

- ▶ **Read and observe the safety warnings and instructions in all operating instructions of the eBike system and your eBike.**
- ▶ **Do not attempt to fix display or remote control while riding!**
- ▶ **The push assistance function must only be used when pushing the eBike.** There is a risk of injury if the wheels of the eBike are not in contact with the ground while using the push assistance.
- ▶ **When the push assistance is activated, the pedals may turn at the same time.** When the push assistance function is activated, make sure that there is enough space between your legs and the turning pedals to avoid the risk of injury.
- ▶ **When using the push assistance, ensure that you can always control the eBike and hold it securely.** The push assistance can be suspended under certain conditions (e.g. obstacle on the pedal or accidentally slipping off the button of the operating unit). The eBike can suddenly move backwards towards you or start to tip. This poses a particular risk for the user if there is an additional load. When using the push assistance on the eBike, do not place the eBike in situations in which you cannot hold the eBike by yourself.
- ▶ **Do not stand your bicycle upside down on its handlebars and saddle if the control unit or its holder protrude from the handlebars.** This may irreparably damage the control unit or the holder.
- ▶ **Do not connect a charger to the eBike system if the eBike system displays a critical error.** This may result in damage to your battery. The battery may catch fire, thereby resulting in serious burns and other injuries.
- ▶ **The control unit features a wireless interface. Local operating restrictions, e.g. in airplanes or hospitals, must be adhered to.**
- ▶ **Caution!** When using the control unit with *Bluetooth*<sup>®</sup>, this may cause interference that affects other devices and systems, airplanes and medical devices (e.g. pacemakers, hearing aids). Similarly, the possibility that this may cause damage to humans and animals in the immediate vicinity cannot be completely excluded. Do not use the control unit with *Bluetooth*<sup>®</sup> in the vicinity of medical devices, gas stations, chemical plants, areas with a potentially explosive atmosphere or on blast sites. Do not use the control unit with *Bluetooth*<sup>®</sup> in airplanes. Avoid using the device in close proximity to your body over an extended period of time.
- ▶ The *Bluetooth*<sup>®</sup> word mark and logos are registered trademarks owned by Bluetooth SIG, Inc. and any use of such marks by Bosch eBike Systems is under licence.
- ▶ Before using the System Controller while riding, make sure to familiarize yourself with System Controller controls and functions by reviewing the operating instructions in this user manual. Practice riding under traffic-free conditions and make sure that you are comfortable using the System Controller before using it in traffic.
- ▶ Do not use the System Controller while riding if you are not comfortable doing so. Do not allow yourself to be distracted by the System Controller. Please note that distracted riding can lead to serious in-

jury, up to and including death. Riders must observe road and traffic conditions and comply with all applicable traffic laws at all times.

- ▶ Please note that certain State or local laws may require that class III eBikes must be equipped with a functioning speedometer that displays speed in miles per hour. Riders must be aware of any and all applicable rules and regulations related to the operation or use of class III eBikes in any applicable jurisdictions before operating or otherwise using this product.

### Safety instructions for button/coin cells

- ▶ **WARNING! Ensure that the button/coin cell is kept out of the reach of children.** Button/coin cells are dangerous.
- ▶ **Button/coin cells must never be swallowed or inserted into any other part of the body. If you suspect that someone has swallowed a button/coin cell or that a button/coin cell has entered the body in another way, seek medical attention immediately.** Swallowing button/coin cells can result in severe internal burns and death within two hours.
- ▶ **Ensure that button/coin cell replacement is carried out properly.** There is a risk of explosion.
- ▶ **Only use the button/coin cells listed in this operating manual.** Do not use any other button/coin cells or other forms of electrical power supply.
- ▶ **Do not attempt to recharge the button/coin cell and do not short circuit the button/coin cell.** The button/coin cell may leak, explode, catch fire and cause personal injury.
- ▶ **Remove and dispose of drained button/coin cells correctly.** Drained button/coin cells may leak and cause personal injury or damage the product.
- ▶ **Do not overheat the button/coin cell or throw it into fire.** The button/coin cell may leak, explode, catch fire and cause personal injury.
- ▶ **Do not damage the button/coin cell and or take the coin cell apart.** The button/coin cell may leak, explode, catch fire and cause personal injury.

- ▶ **Do not allow damaged button/coin cells to come into contact with water.** Leaking lithium may mix with water to create hydrogen, which could cause a fire, an explosion, or personal injury.

**NOTICE:** This device complies with part 15 of the FCC Rules. Operation is subject to the following two conditions:

1. This device must not cause harmful interference, and
2. this device must accept any interference received, including interference that may cause undesired operation.

**NOTICE:** Changes or modifications made to this equipment not expressly approved by the Robert Bosch GmbH may void the FCC authorization to operate this equipment.

**NOTE:** This equipment has been tested and found to comply with the limits for a Class B digital device, pursuant to Part 15 of the FCC Rules. These limits are designed to provide reasonable protection against harmful interference in a residential installation. This equipment generates, uses and can radiate radio frequency energy and, if not installed and used in accordance with the instructions, may cause harmful interference to radio communications. However, there is no guarantee that interference will not occur in a particular installation. If this equipment does cause harmful interference to radio or television reception, which can be determined by turning the equipment off and on, the user is encouraged to try to correct the interference by one or more of the following measures:

- Reorient or relocate the receiving antenna.
- Increase the separation between the equipment and receiver.
- Connect the equipment into an outlet on a circuit different from that to which the receiver is connected.
- Consult the dealer or an experienced radio/TV technician for help.

### Radiofrequency radiation exposure Information:

The radiated output power of the device is far below

the FCC radio frequency exposure limits. Nevertheless, the device shall be used in such a manner that the potential for human contact during normal operation is minimized.

This equipment complies with FCC radiation exposure limits set forth for an uncontrolled environment. This transmitter must not be co-located or operating in conjunction with any other antenna or transmitter.

### **ISED Notice (Canada)**

This device contains licence-exempt transmitter(s)/ receiver(s) that comply with Innovation, Science and Economic Development Canada's licence-exempt RSS(s). Operation is subject to the following two conditions:

1. this device may not cause interference, and

2. this device must accept any interference, including interference that may cause undesired operation of the device.

This equipment complies with Canada radiation exposure limits set forth for an uncontrolled environment. This transmitter must not be co-located or operating in conjunction with any other antenna or transmitter.

### **Privacy Notice**

When you connect the eBike to the **Bosch DiagnosticTool 3**, data about Bosch drive unit (e.g. energy consumption, temperature, etc.) is transferred to Bosch eBike Systems (Robert Bosch GmbH) for the purposes of product improvement. You can find more information about this on the Bosch eBike website at [www.bosch-ebike.com](http://www.bosch-ebike.com).

## **Intended Use**

The **System Controller** and **Mini Remote** operating units are designed to control a Bosch eBike system and to control an on-board computer. You can also use it to change the assistance level in the **eBike Flow** app.

In order to be able to use the control unit to its fullest extent, a compatible smartphone with the **eBike Flow** app is required.

Using the **eBike Flow** app, a *Bluetooth*<sup>®</sup> connection can be established between the smartphone and the eBike system, between the smartphone and **System Controller**, and between **System Controller** and **Mini Remote**.

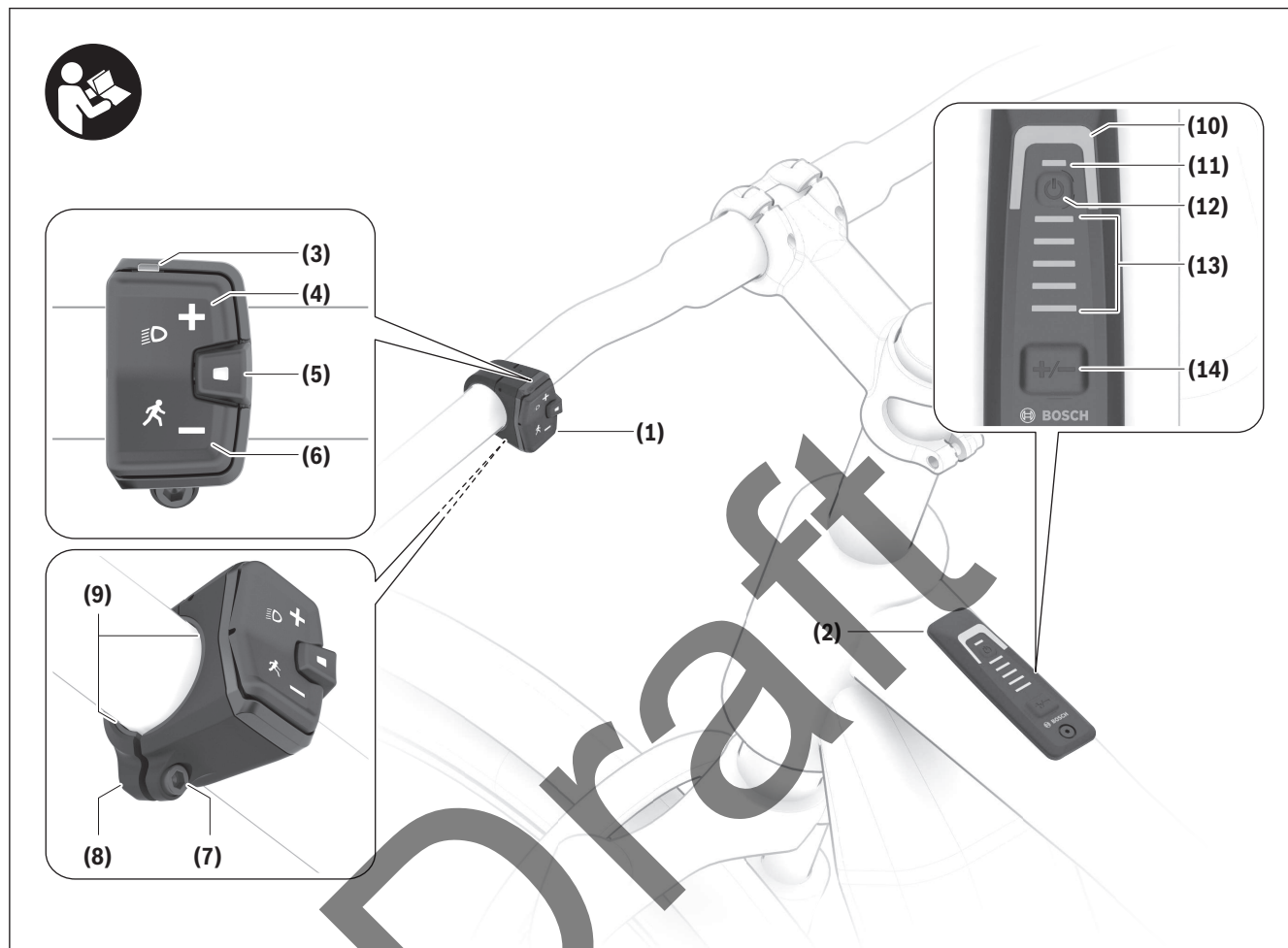


Depending on the operating system of the smartphone, the **eBike Flow** app can be downloaded free of charge from the Apple App Store or Google Play Store.

Scan the code with your smartphone to download the **eBike Flow** app.



## System Controller/Mini Remote Product Features



All illustrations of bike parts except for the drive unit, on-board computer including operating unit, speed sensor and the corresponding holders are schematic and may differ on your eBike.

The numbering of the components shown refers to the illustrations on the graphic pages at the beginning of the manual.

- (1) Mini Remote** operating unit (optional)
- (2) Control unit System Controller**
- (3) LED indicator lamp**
- (4) Button for increasing support level +/ bike lights**

- (5) Select button**
- (6) Button for decreasing support level -/ walk assistance**
- (7) Fastening screw for holder**
- (8) Holder**
- (9) Rubber insert/battery holder**
- (10) Assistance level LED**
- (11) ABS LED (optional)/ambient light sensor**
- (12) On/off button**
- (13) LEDs for battery charge indicator**
- (14) Mode button**

## Technical Data

Control unit	System Controller	
Product code		BRC3100
Operating temperature	°F	23 to 104
Storage temperature	°F	50 to 104
Protection rating		IP54
Dimensions	in	3.5 × 1.1 × 1.1
Weight	lb	0.08
<i>Bluetooth®</i> Low Energy 5.0		
– Frequency	MHz	2400–2480
– Transmission power	mW	≤ 1

Control unit	Mini Remote	
Product code		BRC3300
Operating temperature	°F	23 to 104
Storage temperature	°F	50 to 104
Battery		1 × CR1620
Protection rating		IP54
Dimensions	in	1.6 × 1.5 × 0.9
Weight	lb	0.08
<i>Bluetooth®</i> Low Energy 5.0		
– Frequency	MHz	2400–2480
– Transmission power	mW	≤ 1

The license information for the product is available at the following Internet address: <https://www.bosch-ebike.com/licences>

FCC ID: 2AWRC-BRC3300  
 IC: 26294-BRC3300  
 HVIN: BRC3300

## Operation

### Requirements

The eBike system can only be activated when the following requirements are met:

- A sufficiently charged battery is inserted (see battery operating instructions).
- The speed sensor is connected properly (see drive unit operating instructions).

### Operating unit power supply (System Controller)

If a sufficiently charged eBike battery is inserted into the eBike and the eBike system is switched on, then the control unit battery is powered and charged by the eBike battery.

Please contact your bicycle dealer if the operating unit battery is defective.

### Operating unit (Mini Remote) power supply

The **Mini Remote** operating unit is supplied with voltage by a CR1620 button/coin cell.

### Replacing the battery (Mini Remote)

If the battery in the **Mini Remote (1)** operating unit is low, the LED indicator lamp **(3)** lights up orange.

To replace the battery, unscrew the **Mini Remote (1)** operating unit from the handlebars. Remove the rubber insert **(9)**. This also functions as the battery holder. Remove the used battery and insert a new CR1620 battery in the rubber insert **(9)**. Push the battery and the rubber insert **(9)** into the **Mini Remote (1)** operating unit. If the battery is seated correctly, the LED indicator lamp **(3)** flashes green for 10 s. Then secure the **Mini Remote (1)** operating unit back onto the handlebars.

**Note:** The connection to the **System Controller** is not interrupted when the battery is replaced.

You can obtain the batteries recommended by Bosch from your bicycle dealer.

### Switching the eBike system on/off

To **switch on** the eBike system, briefly press the on/off button **(12)**. After the start animation, the state of charge of the battery is displayed in color with the battery charge indicator **(13)** and the set assistance level with the **(10)** display. The eBike is ready to ride. The display brightness is controlled by the ambient light sensor **(11)**. Therefore, do not cover the ambient light sensor **(11)**.

The drive is activated as soon as you start pedaling (except at assistance level **OFF**). The motor output depends on the settings of the assistance level.

As soon as you stop pedaling when in normal operation, or as soon as you have reached a speed of **20/28 mph**, the eBike drive unit switches off the assistance. The drive is automatically re-activated as soon you start pedaling again and the speed is below **20/28 mph**.

To **switch off** the eBike system, press the on/off button **(12)** briefly (< 3 s). The battery charge indicator **(13)** and the assistance level LED **(10)** go out.

If no power is drawn from the eBike drive for about **10** minutes (e.g. because the eBike is not moving) and no button is pressed on the on-board computer or the control unit of the eBike, the eBike system will switch off automatically.

### Battery charge indicator

The battery charge indicator **(13)** displays the eBike battery's state of charge. The state of charge of the eBike battery can also be checked on the LEDs of the battery itself.

In the **(13)** display, each ice-blue bar represents 20 % capacity and each white bar represents 10 % capacity. The topmost bar shows the maximum capacity.

**Example:** Four ice-blue bars and one white bar are displayed. The state of charge is between 81 % and 90 %.

If capacity is low, both of the lower displays change color:

Bar	Capacity
2 × orange	30 % to 21 %
1 × orange	20 % to 11 %
1 × red	10 % to reserve
1 × red flashing	Reserve to empty

If the eBike battery is being charged, the topmost bar on the battery charge indicator **(13)** flashes.

### Setting the assistance level

On the operating unit, you can set the level of assistance you want the eBike drive to provide you with while pedaling.

**Mini Remote:** Briefly press (< 1 s) the buttons to increase assistance **+** **(4)** or decrease assistance **-** **(6)** in order to increase or decrease the assistance level accordingly.

**System Controller:** Briefly press (< 1 s) the mode button **(14)** to increase assistance.

Press the mode button **(14)** for longer than 1 s to decrease the assistance.

The assistance level can be changed at any time, even while cycling, and is displayed in color.

Level	Notes
<b>OFF</b>	Motor support is switched off. The eBike can just be moved by pedaling, as with a normal bicycle.
<b>ECO</b>	Effective support with maximum efficiency, for maximum range
<b>TOUR</b>	Steady support, long range for touring
<b>TOUR+</b>	Dynamic support for normal riding and biking sports
<b>eMTB/SPORT</b>	Optimal support whatever the terrain, rapid acceleration when starting from a standstill, improved dynamics and top performance
<b>TURBO</b>	Maximum support even at a high cadence, for sport cycling

Level	Notes
<b>AUTO</b>	The assistance is adapted dynamically to the riding situation.
<b>RACE</b>	Maximum support on the eMTB race course; very direct response behavior and maximum "Extended Boost" for the best possible performance in competitive situations
<b>CARGO<sup>A)</sup></b>	Steady, powerful support, to be able to transport heavy weights

A) The **CARGO** assistance level may also have a different designation.

The designations and configuration of the assistance levels can be preconfigured by the manufacturer and selected by the bicycle retailer.

### Interaction between the eBike system and gear-shifting

The gear shifting should be used with an eBike drive in the same way as with a normal bicycle (observe the operating instructions of your eBike on this point).

Irrespective of the type of gear shifting, it is advisable that you briefly reduce the pressure on the pedals when changing gear. This will aid gear shifting and reduce wear on the powertrain.

By selecting the correct gear, you can increase your speed and range while applying the same amount of force.

### Switching bicycle lights on/off (Mini Remote only)

Before starting each journey, check that your bike lights are working correctly.

To switch the bicycle lights **on and off**, press the button to increase the assistance level/bicycle lights **(4)** for longer than 1 s.

### Switching the push assistance on/off

The push assistance aids you when pushing your eBike. The speed of this function depends on the selected gear and can reach a maximum of **2.5 mph**.

► **The push assistance function must only be used when pushing the eBike.** There is a risk of injury if

the wheels of the eBike are not in contact with the ground while using the push assistance.

To **start** walk assistance, press the **(6)** button for more than 1 s and keep it pressed. The battery charge indicator **(13)** goes out and a white moving light in the direction of travel shows that it is ready.

To **activate** walk assistance, one of the following actions must occur within the next 10 s:

- Push the eBike forwards.
- Push the eBike backwards.
- Perform a sideways tilting movement with the eBike.

After activation, the motor begins to push and the continuously filling white bars change color to ice-blue.

If you release the **(6)** button, walk assistance is paused. You can reactivate walk assistance within 10 s by pressing the **(6)** button.

If you do not reactivate walk assistance within 10 s, walk assistance automatically switches off.

Walk assistance is always ended if:

- the rear wheel jams;
- the bicycle cannot move over ridges;
- a body part is blocking the bike crank;
- an obstacle continues to turn the crank;
- you start pedaling;
- the **(4)** button or on/off button **(12)** is pressed.

Walk assistance has a roll-away lock, which means that even after successfully using walk assistance, the drive system actively brakes backwards rolling for a few seconds and you cannot push the eBike backwards or can only do so with difficulty.

The push assistance function is subject to local regulations; the way it works may therefore differ from the description above. It can also be deactivated.

### Establishing a smartphone connection

In order to be able to use the following eBike functions, a smartphone with the **eBike Flow** app is required.

Connection to the app occurs via a *Bluetooth*® connection.

1. Switch on the eBike system and do not start riding the eBike.
2. Begin *Bluetooth*® pairing by long pressing (> 3 s) the on/off button **(12)**. Release the on/off button **(12)** as soon as the lowest bar on the battery charge indicator **(13)** shows the pairing process by flashing blue.
3. Confirm the connection request in the **eBike Flow** app.

### Activity tracking

In order to record activities, it is necessary to register and log into the **eBike Flow** app.

To record activities, you must consent to the storage of your location data in the app. Without this, your activities cannot be recorded in the app. For location data to be recorded, you must be logged in as the user.

### <eBike Lock>

<eBike Lock> can be activated for all users via the **eBike Flow** app. A key to unlock the eBike is saved on the smartphone for this purpose.

<eBike Lock> is automatically active in the following cases:

- When switching off the eBike system via the operating unit
- When automatically switching off the eBike system
- By removing the on-board computer

The eBike is unlocked when the eBike system is switched on and the smartphone is connected with the eBike via *Bluetooth*®.

<eBike Lock> is connected to your **user account**.

Should you lose your smartphone, you can log in via another smartphone using the **eBike Flow** app, and unlock your user account and the eBike.

**Warning!** If you select a setting in the app that leads to disadvantages for the <eBike Lock> (e.g. deletion of your eBike or user account), then you will first be shown warning messages. **Please read through these thoroughly and adhere to the warnings that are issued (e.g. before deleting your eBike or user account).**

In order to be able to set up the **<eBike Lock>**, the following conditions must be fulfilled:

- The **eBike Flow** app has been installed.
- A user account has been created.
- No update is currently being carried out on the eBike.
- The eBike is connected to the smartphone via *Bluetooth*<sup>®</sup>.
- The eBike is stationary.
- The smartphone is connected to the Internet.
- The eBike rechargeable battery is sufficiently charged, and the charging cable is not connected.

You can set up **<eBike Lock>** in the **eBike Flow** app under the **settings** menu item.

You can deactivate the support of your drive unit with immediate effect by switching on **<eBike Lock>** in the **eBike Flow** app. Deactivation can only be canceled if your smartphone is nearby when switching on the eBike system. Your smartphone must have *Bluetooth*<sup>®</sup> switched on for this, and the **eBike Flow** app must be active in the background. The **eBike Flow** app does not have to be opened. If **<eBike Lock>** is activated, you can also use your eBike without support from the drive unit.

### Compatibility

**<eBike Lock>** is compatible with these Bosch eBike product lines:

Drive unit	Product line
BDU374x	Performance Line CX
BDU33xx	Performance Line

### How it works

In conjunction with **<eBike Lock>**, the smartphone works in a similar way to a key for the drive unit. **<eBike Lock>** becomes active when the eBike system is switched off. As long as the **<eBike Lock>** eBike lock is active after switching on, this is indicated on the **System Controller** operating unit by flashing white and on the display computer with a padlock symbol.

**Note:** **<eBike Lock>** alone does not provide adequate theft protection; it is simply a supplement to a

mechanical lock. **<eBike Lock>** does not provide any form of mechanical lock for the eBike. Only the assistance from the drive unit is deactivated. As long as the smartphone is connected with the eBike via *Bluetooth*<sup>®</sup>, the drive unit is unlocked.

If you give third parties temporary or permanent access to your eBike or want to bring your eBike in for a service, deactivate **<eBike Lock>** in the **eBike Flow** app under the **settings** menu item. If you want to sell your eBike, also delete the eBike from your user account in the **eBike Flow** app under the **settings** menu item.

If the eBike system is switched off, the drive unit will emit a "Lock" sound (i.e. an audio signal that is played **once**) to indicate that the assistance from the drive unit is switched off.

**Note:** The audio signal will only be played if the system is switched on.

If the eBike system is switched on, the drive unit will emit two "Unlock" sounds (i.e. an audio signal that is played **twice**) to indicate that the assistance from the drive unit is enabled again.

The "Lock" sound helps you to recognize whether **<eBike Lock>** is activated on your eBike. The audio signal is activated by default, it can be deactivated in the **eBike Flow** app under the **settings** menu item by selecting the lock symbol below your eBike.

**Note:** If you are no longer able to set up or switch off **<eBike Lock>**, please contact your bicycle dealer.

### Replacing eBike components and <eBike Lock>

#### Replacing the smartphone

1. Install the **eBike Flow** app on the new smartphone.
2. Log in using **the same** account with which you activated **<eBike Lock>**.
3. **<eBike Lock>** is displayed as set up in the **eBike Flow** app.

#### Replacing the drive unit

1. **<eBike Lock>** is displayed as deactivated in the **eBike Flow** app.

2. Activate **<eBike Lock>** by pushing the **<eBike Lock>** control unit to the right.
3. If you hand over your eBike to a bicycle dealer for maintenance, it is recommended to temporarily deactivate **<eBike Lock>** to avoid a false alarm.

### Software updates

Software updates must be started manually in the **eBike Flow** app.

Software updates are transferred from the app to the control unit in the background as soon as it is connected to the app. During the update process, a green flashing on the battery charge indicator **(13)** shows the progress. The system is then restarted. You can control the software updates via the **eBike Flow** app.

### Connecting the System Controller to the Mini Remote

The **System Controller** and **Mini Remote** operating units are connected via *Bluetooth®*.

Switch on the eBike system and do not start riding the eBike.

If the **Mini Remote** operating unit has not already been connected to the **System Controller** operating unit by the bicycle dealer, proceed as follows:

1. First connect your smartphone to the **System Controller** operating unit via the **eBike Flow** app (see Establishing a smartphone connection).
2. In the **eBike Flow** app, select **<Connect the Mini Remote>**.  
You will be asked to switch the **System Controller** and **Mini Remote** to pairing mode.
3. **System Controller**: Start the pairing process by pressing and holding (3 s) the on/off button **(12)** until the lower bar on battery charge indicator **(13)** shows the pairing process by flashing blue.
4. **Mini Remote**: Start the pairing process by pressing any button until the pairing process is shown by the LED indicator light **(3)** flashing blue.
5. Follow the instructions in the **eBike Flow** app.

If pairing is successful, this is shown within 30 s on the **Mini Remote** operating unit by the LED indicator light **(3)** flashing green three times.

If the connection cannot be established, this is shown by the LED indicator lamp **(3)** flashing red three times. Repeat the connection process.

If you want to connect the **Mini Remote** operating unit to a **System Controller** on another eBike, the following steps must be carried out:

1. **Mini Remote**: Remove the battery on the **Mini Remote** operating unit and reinsert it.
2. Within the next 10 s, press and hold the decrease assistance –/walk assistance **(6)** button for 5 s. The pairing process is shown by the LED indicator light **(3)** flashing blue for 30 s.
3. **System Controller**: Start the pairing process by pressing and holding (3 s) the on/off button **(12)** until the lower bar on battery charge indicator **(13)** shows the pairing process by flashing blue.

If pairing is successful, this is shown within 30 s on the **Mini Remote** operating unit by the LED indicator light **(3)** flashing green three times.

If the connection cannot be established, this is shown by the LED indicator lamp **(3)** flashing red three times. Repeat the connection process.

### Error messages

The control unit shows whether critical errors or less critical errors occur in the eBike system.

The error messages generated by the eBike system can be read via the **eBike Flow** app or by your bicycle retailer.

Via a link in the **eBike Flow** app, information about the error and support for rectifying the error can be displayed.

### Less critical errors

Less critical errors are shown by the assistance level LED **(10)** flashing orange. Press the select button **(5)** on the **Mini Remote (1)** operating unit or the mode button **(14)** on the **System Controller (2)** operating

unit to confirm the error. The assistance level LED **(10)** once again continuously shows the color of the set assistance level.

You can use the following table to rectify the errors yourself if necessary. Otherwise, please contact your bicycle retailer.

Number	Troubleshooting
<b>523005</b>	The indicated error numbers show that there is interference when the sensors detect the magnetic field. See whether you have lost the magnet while riding. If you are using a magnet sensor, check that the sensor and magnet have been properly installed. Make sure too that the cable to the sensor is not damaged. If you are using a rim magnet, make sure that you do not have any magnetic field interference in the vicinity of the drive unit.
<b>514001</b>	
<b>514002</b>	
<b>514003</b>	
<b>514006</b>	

### Critical errors

Critical errors are shown by the assistance level LED **(10)** and the battery charge indicator **(13)** flashing red. If a critical fault occurs, follow the handling instructions on the following table.

Number	Handling instructions
<b>660001</b>	Do not charge the battery and do not continue to use! Please contact your Bosch eBike specialist retailer.
<b>660002</b>	
<b>890000</b>	<ul style="list-style-type: none"> <li>– Acknowledge the error code.</li> <li>– Restart the system.</li> </ul> <p>If the problem persists:</p> <ul style="list-style-type: none"> <li>– Acknowledge the error code.</li> <li>– Perform the software update.</li> <li>– Restart the system.</li> </ul> <p>If the problem persists:</p> <ul style="list-style-type: none"> <li>– Please contact your Bosch eBike specialist retailer.</li> </ul>



# Maintenance and Service

## Maintenance and Cleaning

The operating unit must not be cleaned with pressurized water.

Keep the operating unit clean. Dirt can cause faulty brightness detection.

Clean your operating unit using a soft cloth dampened only with water. Do not use cleaning products of any kind.

► **Only have repairs performed by a certified bicycle dealer.**

## After-sales service and advice on using products

If you have any questions about the eBike system and its components, contact an authorized bicycle dealer.

For contact details of authorized bike dealerships, please visit [www.bosch-ebike.com](http://www.bosch-ebike.com).

Draft

## Battery Recycling Program



The drive unit, on-board computer incl. operating unit, battery, speed sensor, accessories and packaging should be disposed of in an environmentally correct manner.

Do not dispose of eBikes and their components with household waste.



You may recycle your Bosch battery pack by calling 1.800.822.8837.

Draft

# Sommaire

Introduction .....	2
À propos des avertissements.....	2
Avertissements généraux.....	2
Utilisez votre notice d'utilisation .....	3
Utilisation de votre système de commande Bosch .....	4
Consignes de sécurité .....	4
Utilisation conforme.....	7
Caractéristiques du produit SystemController/MiniRemote (Contrôleur système/mini télécommande) .....	8
Caractéristiques techniques.....	9
Fonctionnement .....	10
Entretien et service après-vente .....	17
Nettoyage et entretien.....	17
Service après-vente et conseil utilisateurs .....	17
Programme de recyclage des accus.....	18

Draft

# Introduction

## À propos des avertissements

Cette notice contient de nombreuses mentions de danger de type **DANGER, AVERTISSEMENT** et **ATTENTION** destinées à attirer l'attention sur les conséquences d'erreurs, dans le but d'utiliser, d'assembler, d'entretenir, de conserver et d'éliminer dans les règles et en toute sécurité les vélos électriques dotés d'un système eBike Bosch.

– Le symbole de sécurité et le mot **DANGER** signalent une situation à risque élevé, qui entraîne inévitablement des blessures graves, voire la mort, si elle n'est pas évitée.

– Le symbole de sécurité et le mot **AVERTISSEMENT** signalent une situation à risque élevé, pouvant entraîner des blessures graves, voire la mort, si elle n'est pas évitée.

– Le symbole de sécurité et le mot **ATTENTION** signalent une situation à risque modéré pouvant entraîner des blessures légères ou modérées si elle n'est pas évitée.

## Avertissements généraux



**Lisez tous les avertissements de sécurité et toutes les instructions.** Le fait de ne pas respecter les avertissements et les instructions peut entraîner des blessures graves ou mortelles.

**Conservez tous les avertissements et toutes les instructions pour pouvoir s'y reporter ultérieurement.**

Le terme **accu** utilisé dans la présente notice d'utilisation désigne un accu/une batterie d'eBike Bosch d'origine.

► **Lisez TOUS les manuels et TOUTES les notices jointes avant d'utiliser votre vélo pour la première fois.** Votre système d'entraînement Bosch est livré avec d'autres manuels et documents fournis par le fabricant du vélo et des autres éléments. Ne pas lire ou ne pas comprendre les informations de sécurité peut entraîner des blessures graves ou mortelles.

### **▲ AVERTISSEMENT**

► **Cette notice contient d'importantes informations sur la sécurité, les performances et l'entretien.** Veuillez la lire avant d'utiliser votre vélo pour la première fois, et la conserver pour référence ul-

térière. Vous pouvez également retrouver cette notice en ligne à l'adresse [www.bosch-ebike.com](http://www.bosch-ebike.com).

► **Cette notice est destinée à être lue conjointement avec le manuel utilisateur séparé fourni avec votre vélo.** Assurez-vous de lire tous les documents fournis y compris les étiquettes apposées sur le produit avant la première utilisation.

► **Assumez la responsabilité de votre propre SÉCURITÉ.** En cas de question ou d'incompréhension, contactez votre revendeur ou le fabricant du vélo ou de l'élément.

► **Certains accessoires de l'eBike peuvent présenter un risque d'étouffement pour les petits enfants.** Conservez ces accessoires hors de portée des enfants.

### **▲ ATTENTION**

► **Le système d'entraînement Bosch alourdit votre vélo. Vous n'avez peut-être pas l'habitude de le soulever.** Évitez de vous blesser en utilisant des techniques de levage appropriées.

## Utilisez votre notice d'utilisation

Nous nous réservons le droit d'apporter à tout moment des modifications au logiciel pour corriger des erreurs ou pour modifier les fonctionnalités décrites dans la présente notice.

### Graphiques

Le vélo illustré dans cette notice peut être légèrement différent de votre vélo, mais il est suffisamment similaire pour vous permettre de comprendre nos instructions.

Les côtés DROIT et GAUCHE sont déterminés en se plaçant en situation, dans le sens de la marche du vélo. Lorsqu'une ligne en pointillé (-----) apparaît, l'élément auquel il est fait référence n'est pas visible.

Draft

# Utilisation de votre système de commande Bosch

## Consignes de sécurité



**Lisez attentivement toutes les instructions et consignes de sécurité.** Le non-respect des instructions et consignes de sécurité peut provoquer un choc électrique, un incendie et/ou entraîner de graves blessures.

**Conservez tous les avertissements et toutes les instructions pour pouvoir s’y reporter ultérieurement.**

Le terme **accu** utilisé dans la présente notice d'utilisation désigne un accu/une batterie d'eBike Bosch d'origine.

- ▶ **Lisez et respectez les consignes de sécurité et les instructions de toutes les notices d'utilisation du système eBike, ainsi que la notice d'utilisation de votre eBike.**
- ▶ **N'essayez pas de fixer l'écran ou l'unité de commande tout en roulant !**
- ▶ **La fonction assistance à la poussée ne doit être utilisée que quand vous poussez le vélo électrique.** Les roues du vélo doivent être en contact avec le sol lorsque l'assistance à la poussée est utilisée, sans quoi vous risqueriez de vous blesser.
- ▶ **Quand l'assistance à la poussée est active, les pédales peuvent tourner toutes seules dans le vide.** Veillez à garder une distance suffisante entre vos jambes et les pédales lorsque l'assistance à la poussée est active. Il y a risque de blessure.
- ▶ **Lors de l'utilisation de l'assistance à la poussée, veillez à toujours garder le contrôle et la maîtrise du VAE.** Dans certaines circonstances, l'assistance à la poussée peut se désactiver (p. ex. quand une pédale bute contre un obstacle ou quand votre doigt glisse et que vous relâchez par inadvertance la touche de l'unité déportée). Le VAE peut alors reculer subitement ou basculer sur le côté. Cela peut être dangereux, surtout si le vélo est lourdement chargé. Lorsque vous utilisez l'assistance à la poussée, faites en sorte de ne pas vous retrouver dans des situations où vous risquez de ne pas avoir suffisamment de force pour tenir le vélo !
- ▶ **Ne posez pas le vélo à l'envers sur le guidon et la selle alors que l'unité de commande ou son support sont fixés au guidon.** L'unité de commande ou son support pourraient en être irrémédiablement endommagés.
- ▶ **Ne connectez pas un chargeur au système eBike si ce dernier signale une erreur critique.** Votre batterie pourrait alors être endommagée, prendre feu et provoquer des brûlures graves et d'autres blessures.
- ▶ **L'unité de commande est équipée d'une interface radio. Observez les restrictions d'utilisation locales en vigueur, par ex. dans les avions ou les hôpitaux.**
- ▶ **Attention !** En cas d'utilisation de l'unité de commande en mode *Bluetooth*<sup>®</sup>, d'autres appareils et installations ainsi que les avions et les appareils médicaux (par ex. stimulateurs cardiaques, prothèses auditives) peuvent être perturbés. Les ondes émises peuvent aussi avoir un effet nocif sur les personnes et les animaux qui se trouvent à proximité immédiate de l'appareil. N'utilisez pas l'unité de commande en mode *Bluetooth*<sup>®</sup> à proximité d'appareils médicaux, de stations-service, d'usines chimiques, ou dans des zones à risque d'explosion ou des zones de dynamitage. N'utilisez pas l'unité de commande en mode *Bluetooth*<sup>®</sup> dans les avions. Évitez une utilisation prolongée très près du corps.
- ▶ Le nom de marque *Bluetooth*<sup>®</sup> et le logo associé sont des marques déposées de la Bluetooth SIG, Inc. Toute utilisation de cette marque/de ce logo par la société Bosch eBike Systems s'effectue sous licence.

- ▶ Avant d'utiliser le System Controller (contrôleur système) pendant la conduite, familiarisez-vous avec les commandes et les fonctions du System Controller en consultant les instructions d'utilisation de ce manuel d'utilisation. Entraînez-vous à rouler dans des conditions sans circulation et assurez-vous que vous êtes à l'aise avec le System Controller avant de l'utiliser pendant la conduite.
- ▶ N'utilisez pas le System Controller pendant la conduite si vous n'êtes pas suffisamment à l'aise. Ne vous laissez pas distraire par le System Controller. Veuillez noter qu'une conduite distraite peut entraîner des blessures graves, voire mortelles. Les utilisateurs doivent respecter les conditions de la route et de la circulation et se conformer en tout temps à toutes les lois de circulation applicables.
- ▶ Veuillez noter que certaines lois nationales ou locales peuvent exiger que les vélos électriques de classe III soient équipés d'un indicateur de vitesse en état de marche qui affiche la vitesse en kilomètres par heure. Avant toute mise en fonctionnement ou utilisation du produit, les cyclistes doivent connaître et observer toutes les règles et réglementations applicables relatives au fonctionnement ou à l'utilisation des vélos de classe III déterminées par la juridiction concernée.
- ▶ **Lors du remplacement de la pile bouton, assurez-vous de remplacer la pile bouton de manière appropriée.** Il y a risque d'explosion.
- ▶ **N'utilisez que les piles boutons mentionnées dans ce mode d'emploi.** N'utilisez aucune autre pile bouton ou source d'énergie.
- ▶ **N'essayez pas de recharger la pile bouton ni de court-circuiter la pile bouton.** La pile bouton peut fuir, exploser, prendre feu et blesser l'entourage.
- ▶ **Retirez et éliminez les piles boutons conformément à la réglementation.** Les piles boutons déchargées peuvent fuir et blesser des personnes ou endommager le produit.
- ▶ **Ne surchauffez pas la pile bouton et ne la jetez pas au feu.** La pile bouton peut fuir, exploser, prendre feu et blesser l'entourage.
- ▶ **N'endommagez pas la pile bouton et ne la démontez pas.** La pile bouton peut fuir, exploser, prendre feu et blesser l'entourage.
- ▶ **Ne mettez pas une pile bouton endommagée en contact avec de l'eau.** Une fuite de lithium peut générer une production d'hydrogène avec l'eau et provoquer un incendie, une explosion ou blesser l'entourage.

## Consignes de sécurité pour les piles boutons

- ▶ **AVERTISSEMENT! Assurez-vous que la pile bouton est hors de portée des enfants.** Les piles boutons sont dangereuses.
- ▶ **Les piles boutons ne doivent en aucun cas être avalées ou introduites dans d'autres orifices corporels. Si vous suspectez qu'une pile bouton a été avalée ou introduite dans un autre orifice corporel (nez, oreille), consultez immédiatement un médecin.** L'ingestion de la pile bouton peut entraîner de graves brûlures internes et la mort dans les deux heures qui suivent.

**REMARQUE :** Cet appareil est conforme à la partie 15 du règlement de la FCC. L'utilisation est autorisée sous réserve des deux conditions suivantes :

1. L'appareil ne doit pas produire de brouillage, et
2. l'utilisateur de l'appareil doit accepter tout brouillage radioélectrique subi, même si le brouillage est susceptible d'en compromettre le fonctionnement.

**REMARQUE :** Tous les changements et toutes les modifications apportés à cet équipement qui ne sont pas approuvés de façon explicite par Robert Bosch GmbH risquent d'annuler l'autorisation FCC d'utilisation de cet équipement.

**REMARQUE :** Cet équipement a été testé et déclaré conforme aux limites applicables aux appareils numériques de classe B, selon la section 15 de la réglementation FCC. Ces limites sont destinées à assurer une

protection raisonnable contre les interférences nuisibles dans une installation résidentielle. Cet équipement génère, utilise et peut émettre de l'énergie radiofréquence qui, en cas d'installation et d'utilisation non conforme aux instructions, peut provoquer des interférences susceptibles de perturber les communications radio. Toutefois, rien ne garantit l'absence d'interférences dans une installation particulière. Si cet appareil produit des interférences perturbant la réception des programmes radio ou télévision (peut être mis en évidence en éteignant et rallumant l'appareil), il est conseillé à l'utilisateur d'essayer de réduire ces interférences en prenant l'une ou plusieurs des mesures suivantes :

- Modifier l'orientation ou l'emplacement de l'antenne réceptrice.
- Éloigner l'appareil du récepteur.
- Connecter l'appareil à une prise différente de celle dans laquelle est branché le récepteur.
- Demander conseil au fournisseur ou à un technicien spécialisé en radio/télévision.

**Information sur l'exposition aux rayonnements radiofréquence :** La puissance rayonnée par cet appareil est très inférieure aux limites d'exposition aux ondes radio définies par la FCC. Néanmoins, l'appareil doit être utilisé de façon à minimiser la possibilité de contact humain avec l'antenne en fonctionnement normal.

Cet équipement respecte les limites d'exposition aux rayonnements définies par FCC pour un environnement non contrôlé. Cet émetteur ne doit pas être placé à proximité d'une autre antenne ou d'un autre émetteur ou être utilisé en combinaison avec n'importe quelle autre antenne ou émetteur.

#### **Remarques ISDE (Canada)**

Cet appareil contient un/des émetteur(s)/récepteur(s) exempt(s) de licence conforme(s) aux CNR d'Innovation, Sciences et Développement économique Canada applicables aux équipements exempts

de licence. L'utilisation est autorisée sous réserve des deux conditions suivantes :

1. l'appareil ne doit pas produire de brouillage, et
2. l'appareil doit accepter tout brouillage radioélectrique subi, même si le brouillage est susceptible d'en compromettre le fonctionnement.

Cet équipement respecte les limites d'exposition aux rayonnements définies par le Canada pour un environnement non contrôlé. Cet émetteur ne doit pas être placé à proximité d'une autre antenne ou d'un autre émetteur ou être utilisé en combinaison avec n'importe quelle autre antenne ou émetteur.

#### **Remarque relative à la protection des données**

Lors du raccordement du vélo à assistance électrique à l'outil **Bosch DiagnosticTool 3**, des données sur l'utilisation de l'unité d'entraînement Bosch (consommation d'énergie, température, etc.) sont transmises à la société Bosch eBike Systems (Robert Bosch GmbH) à des fins d'amélioration des produits. Pour en savoir plus, rendez-vous sur le site Bosch [www.bosch-ebike.com](http://www.bosch-ebike.com).



## Utilisation conforme

Les commandes déportées **System Controller** et **Mini Remote** sont destinées au pilotage d'un système Bosch eBike et à la commande d'un ordinateur de bord. Elle vous permet aussi de changer le niveau d'assistance dans l'application **eBike Flow**.

Pour utiliser toutes les fonctions de la commande déportée, un smartphone compatible équipé de l'application **eBike Flow** est nécessaire.

L'app **eBike Flow** permet d'établir une connexion *Bluetooth*<sup>®</sup> entre le smartphone et le système eBike, entre le smartphone et **System Controller**, ainsi qu'entre **System Controller** et **Mini Remote**.

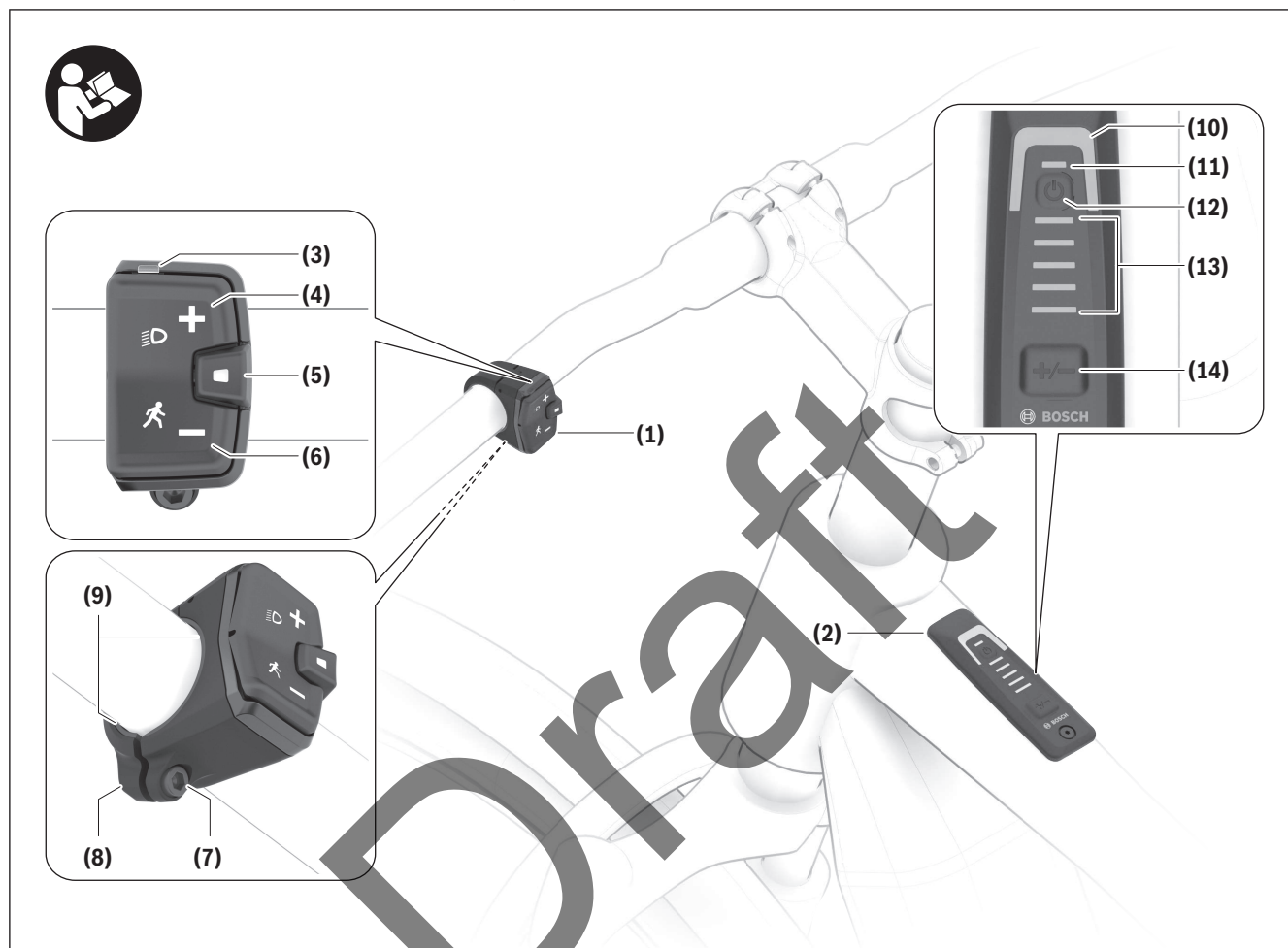


L'application **eBike Flow** peut être téléchargée gratuitement dans l'App Store d'Apple ou le Google Play Store.

Pour télécharger l'application **eBike Flow**, scannez le code avec votre smartphone.

Draft

## Caractéristiques du produit SystemController/MiniRemote (Contrôleur système/mini télécommande)



Toutes les pièces de vélo, à l'exception de l'unité d'entraînement, de l'ordinateur et de l'unité de commande, du capteur de vitesse et de leurs fixations sont représentées de manière schématique, elles peuvent différer par rapport à celles réellement installées sur votre vélo électrique.

La numérotation des éléments se réfère aux représentations sur les pages graphiques situées en début de notice.

**(1)** Unité déportée **Mini Remote** (en option)

**(2)** Unité déportée **System Controller**

**(3)** Voyant LED

**(4)** Bouton Augmentation assistance +/  
Éclairage du vélo

**(5)** Bouton de sélection

**(6)** Bouton Diminution assistance -/  
Assistance à la poussée

**(7)** Vis de fixation pour support

**(8)** Support

**(9)** Insert en caoutchouc/support de batterie

**(10)** LED niveau d'assistance

**(11)** LED ABS (en option)/capteur de lumière ambiante

- (12) Bouton Marche/Arrêt
- (13) LED indicatrices du niveau de charge
- (14) Bouton de mode

## Caractéristiques techniques

Unité déportée	System Controller	
Code produit		BRC3100
Températures de fonctionnement	°F	23 ... 104
Températures de stockage	°F	50 ... 104
Indice de protection		IP54
Dimensions	in	3,5 × 1,1 × 1,1
Poids	lb	0,08
<i>Bluetooth®</i> Low Energy 5.0		
– Fréquence	MHz	2 400–2 480
– Puissance d'émission	mW	≤ 1

Unité déportée	Mini Remote	
Code produit		BRC3300
Températures de fonctionnement	°F	23 ... 104
Températures de stockage	°F	50 ... 104
Batterie		1 × CR1620
Indice de protection		IP54
Dimensions	in	1,6 × 1,5 × 0,9
Poids	lb	0,08
<i>Bluetooth®</i> Low Energy 5.0		
– Fréquence	MHz	2 400–2 480
– Puissance d'émission	mW	≤ 1

Vous trouverez les informations de licence du produit à l'adresse Internet suivante : <https://www.bosch-ebike.com/licences>

FCC ID: 2AWRC-BRC3300  
 IC: 26294-BRC3300  
 HVIN: BRC3300

## Fonctionnement

### Conditions préalables

Le système eBike ne peut être activé que si les conditions suivantes sont réunies :

- La batterie utilisée est suffisamment chargée (voir la notice d'utilisation de la batterie).
- Le capteur de vitesse est correctement branché (voir la notice d'utilisation de la Drive Unit).

### Alimentation électrique de l'unité déportée (System Controller)

Si une batterie eBike suffisamment chargée est insérée dans le vélo à assistance électrique et que le système eBike est mis en marche, la batterie de l'unité déportée est alimentée en énergie et chargée par la batterie eBike.

Si la batterie de l'unité déportée est défectueuse, veuillez vous adresser à votre revendeur de vélo.

### Alimentation électrique de l'unité déportée (Mini Remote)

L'unité déportée **Mini Remote** est alimentée en tension par une pile bouton CR1620.

### Remplacement de la pile (Mini Remote)

Lorsque la batterie de l'unité déportée **Mini Remote (1)** est faible, le voyant LED **(3)** clignote en orange. Pour changer la batterie, dévissez l'unité déportée **Mini Remote (1)** du guidon. Retirez l'insert en caoutchouc **(9)**. Il s'agit aussi du support de batterie. Retirez la pile usagée et insérez une nouvelle batterie de type CR1620 dans l'insert en caoutchouc **(9)**. Enfoncez la pile et l'insert en caoutchouc **(9)** dans l'unité déportée **Mini Remote (1)**. Si la batterie est correctement insérée, le voyant LED **(3)** clignote en vert pendant 10 s. Fixez ensuite l'unité déportée **Mini Remote (1)** sur le guidon.

**Remarque :** la connexion au **System Controller** ne s'interrompt pas lors du changement de batterie.

Vous pouvez vous procurer les piles recommandées par Bosch auprès de votre revendeur de vélos.

### Mise en marche/arrêt du système eBike

Pour **mettre en marche** le système eBike, appuyez brièvement sur le bouton Marche/Arrêt **(12)**. Après l'animation de départ, les LED d'état de charge **(13)** indiquent le niveau de charge de la batterie et la LED **(10)** indique en couleur le niveau d'assistance réglé. Le vélo à assistance électrique est prêt à rouler.

La luminosité de l'écran est commandée par le capteur de lumière ambiante **(11)**. C'est pourquoi il ne faut pas couvrir ce capteur de lumière ambiante **(11)**.

L'entraînement est activé dès que vous commencez à pédaler (sauf sur le niveau d'assistance **OFF**). La puissance du moteur dépend du niveau d'assistance réglé.

Dès que vous arrêtez de pédaler en mode normal ou dès que vous avez atteint une vitesse de **20/28 mph**, le système d'entraînement eBike désactive l'assistance. L'entraînement se réactive automatiquement dès que vous vous mettez à pédaler et que la vitesse est inférieure à **20/28 mph**.

Pour **arrêter** le système eBike, appuyez brièvement (moins de 3 s) sur le bouton Marche/Arrêt **(12)**. L'indicateur de niveau de charge **(13)** et la LED indiquant le niveau d'assistance **(10)** s'éteignent.

Si le système eBike n'est pas sollicité pendant **10** minutes (du fait par ex. que le vélo est à l'arrêt) et que dans le même temps aucune touche de l'ordinateur de bord ou de la console déportée de votre vélo électrique n'est actionnée, le système eBike s'arrête automatiquement.

### Indicateur de niveau de charge de la batterie

L'indicateur de niveau de charge **(13)** indique l'état de charge de la batterie du vélo à assistance électrique. Le niveau de charge de la batterie peut également être lu sur les LED de la batterie elle-même.

Sur l'indicateur **(13)**, chaque barre de couleur bleu glace représente 20 % de la capacité totale, et

chaque barre blanche, 10 %. La barre supérieure correspond à une capacité maximale.

**Exemple :** affichage de 4 barres de couleur bleu glace et une barre blanche. Le niveau de charge est compris entre 81 % et 90 %.

En cas de capacité faible, les deux indicateurs inférieurs changent de couleur :

Barre	Capacité
2 orange	30 % ... 21 %
1 orange	20 % ... 11 %
1 rouge	10 % ... Réserve
1 rouge clignotante	Réserve ... vide

Si la batterie du vélo à assistance électrique est en cours de charge, la barre supérieure de l'indicateur de niveau de charge **(13)** clignote.

## Réglage du niveau d'assistance

Vous pouvez sélectionner sur les unités déportées le niveau d'assistance au pédalage.

**Mini Remote :** appuyez brièvement (< 1 s) sur les boutons Augmenter l'assistance **+** **(4)** ou Diminuer l'assistance **-** **(6)** pour augmenter ou diminuer l'assistance en conséquence.

**System Controller :** Appuyez brièvement (< 1 s) sur le bouton Mode **(14)** pour augmenter l'assistance.

Appuyez sur le bouton Mode **(14)** pendant plus de 1 s pour diminuer l'assistance.

Le niveau d'assistance peut être modifié à tout moment, même en roulant, et s'affiche en couleur.

Niveau	Indication
<b>OFF</b>	L'assistance étant désactivée, on pédale sur le vélo à assistance électrique comme sur un vélo normal.
<b>ECO</b>	Assistance active avec une efficacité optimisée, pour une autonomie maximale
<b>TOUR</b>	Assistance équilibrée, pour les sorties longues
<b>TOUR+</b>	Assistance dynamique pour une conduite naturelle et sportive

Niveau	Indication
<b>eMTB/SPORT</b>	Assistance optimale sur tous les terrains, démarrage sportif, dynamique améliorée, performance maximale
<b>TURBO</b>	Assistance maximale jusqu'à des cadences de pédalage élevées, pour une pratique sportive
<b>AUTO</b>	Le niveau d'assistance s'adapte de façon dynamique aux conditions de roulage.
<b>RACE</b>	Assistance maximale sur le parcours de course VTTAE ; réponse très directe au pédalage et « Extended Boost » maximal pour fournir les meilleures performances possibles en compétition
<b>CARGO<sup>A)</sup></b>	Assistance puissante et constante pour le transport en toute sécurité de charges lourdes

A) Le niveau de support **CARGO** peut également avoir une autre désignation.

Les désignations et la configuration des niveaux d'assistance peuvent être préconfigurées par le fabricant et sélectionnées par le revendeur de vélos.

## Interaction entre le système eBike et le système de changement de vitesses

Même avec l'assistance électrique, vous devez changer de vitesses de la même façon qu'avec un vélo normal (consultez la notice d'utilisation de votre vélo électrique).

Indépendamment du type de système de changement de vitesses, il est recommandé d'arrêter brièvement de pédaler pendant que vous changez de vitesse. Cela facilite le changement de vitesse et réduit l'usure du mécanisme d'entraînement.

En choisissant la vitesse appropriée, vous pouvez, à effort égal, rouler plus vite et bénéficier d'une plus grande autonomie.

## Allumer/éteindre l'éclairage du vélo (Mini Remote uniquement)

Vérifiez le fonctionnement de l'éclairage du vélo avant chaque départ.

Pour **allumer/éteindre** l'éclairage du vélo, appuyez sur le bouton Augmenter l'assistance/l'éclairage du vélo **(4)** pendant plus de 1 s.

### Activation/désactivation de l'assistance à la poussée

L'assistance à la poussée vous permet de pousser le vélo électrique en exerçant moins d'effort. La vitesse atteignable avec cette fonction dépend de la vitesse sélectionnée sur le vélo. Elle est au maximum de **2,5 mph**.

► **La fonction assistance à la poussée ne doit être utilisée que quand vous poussez le vélo électrique.** Les roues du vélo doivent être en contact avec le sol lorsque l'assistance à la poussée est utilisée, sans quoi vous risqueriez de vous blesser.

Pour **démarrer** l'assistance à la poussée, appuyez sur le bouton **(6)** pendant plus de 1 s et maintenez-le enfoncé. L'indicateur de niveau de charge **(13)** s'éteint et l'allumage successif des barres en blanc dans le sens de la marche indique que le vélo est prêt.

Pour **activer** l'assistance à la poussée, vous devez effectuer l'une des actions suivantes dans les 10 s qui suivent :

- Poussez le vélo à assistance électrique vers l'avant.
- Poussez le vélo à assistance électrique vers l'arrière.
- Effectuez un mouvement de va-et-vient latéral avec le vélo.

Après l'activation, le moteur commence à pousser le vélo et les barres jusqu'ici de couleur blanche deviennent bleu glace.

Si vous relâchez le bouton **(6)**, l'assistance à la poussée se met en pause. Pendant les 10 s qui suivent, vous pouvez réactiver l'assistance à la poussée en appuyant sur le bouton **(6)**.

Si vous ne réactivez pas l'assistance à la poussée dans les 10 s, celle-ci se désactive automatiquement.

L'assistance à la poussée se désactive automatiquement lorsque

- la roue arrière se bloque,
- des seuils ne peuvent être franchis,

- le pédalier est bloqué par une partie du corps,
- un obstacle continue à faire tourner le pédalier,
- vous appuyez sur les pédales,
- le bouton **(4)** ou le bouton Marche/Arrêt **(12)** est actionné.

L'assistance à la poussée dispose d'un blocage antirecul : après avoir utilisé l'assistance à la poussée, la Drive Unit freine activement pendant quelques secondes le vélo dans le sens de la marche arrière. Il est alors difficile voire impossible de reculer en poussant le vélo vers l'arrière.

Le fonctionnement de l'assistance de poussée est tributaire de la législation en vigueur dans chaque pays et peut donc différer de ce qui a été indiqué ci-dessus. L'assistance à la poussée peut même être désactivée.

### Établissement de la connexion avec le smartphone

Pour utiliser les fonctions VAE qui suivent, un smartphone équipé de l'application **eBike Flow** est nécessaire.

La connexion avec l'application se fait par *Bluetooth*®.

1. Mettez le système eBike en marche et ne vous mettez pas à rouler.
2. Démarrez l'appairage *Bluetooth*® en effectuant un appui long (plus de 3 s) sur le bouton Marche/Arrêt **(12)**. Relâchez le bouton Marche/Arrêt **(12)** dès que la barre inférieure de l'indicateur de niveau de charge **(13)** se met à clignoter en bleu pour signaler que l'appairage est en cours.
3. Dans l'application **eBike Flow**, confirmez la demande de connexion.

### Suivi des activités

Pour enregistrer les activités, il est nécessaire de s'inscrire ou de se connecter à l'application **eBike Flow**.

Pour enregistrer les activités, vous devez accepter que vos données de localisation soient stockées dans l'application. C'est une condition nécessaire à l'historisation de vos activités dans l'application. Pour que

vos données de localisation soient enregistrées, vous devez être connecté en tant qu'utilisateur.

### <eBike Lock>

La fonction <eBike Lock> peut être activée pour chaque utilisateur via l'application **eBike Flow**. Un code pour le déblocage du VAE est alors enregistré sur le smartphone.

La fonction <eBike Lock> est automatiquement activée dans les cas suivants :

- lors de la désactivation du système eBike via la commande déportée
- lors de la désactivation automatique du système eBike
- lors du retrait de l'ordinateur de bord

La mise en marche du système eBike alors que le smartphone est connecté au VAE via *Bluetooth*® entraîne le déblocage du VAE.

La fonction <eBike Lock> est associée à votre **compte utilisateur**.

Si vous perdez votre smartphone, vous pouvez vous connecter depuis un autre smartphone, via l'application **eBike Flow** et votre compte utilisateur pour débloquent le VAE.

**Attention !** Si vous sélectionnez dans l'application un réglage qui influe négativement sur la fonction <eBike Lock> (p. ex. effacement du VAE ou du compte utilisateur), des messages d'avertissement s'affichent pour vous prévenir. **Lisez attentivement ces messages et agissez en conséquence (p. ex. avant d'effacer votre VAE ou des comptes utilisateur).**

Pour pouvoir configurer <eBike Lock>, les conditions qui suivent doivent être satisfaites :

- L'application **eBike Flow** est installée.
- Un compte utilisateur a été créé.
- Aucune mise à jour n'est en train d'être effectuée sur le VAE.
- Le VAE est connecté au smartphone via *Bluetooth*®.
- Le VAE est à l'arrêt.
- Le smartphone est connecté à Internet.

- La batterie du VAE est suffisamment chargée et le câble de charge n'est pas branché.

Vous pouvez configurer <eBike Lock> dans les **Paramètres** de l'application **eBike Flow**.

Vous pouvez dorénavant désactiver l'assistance de votre commande déportée en activant <eBike Lock> dans l'application **eBike Flow**. La désactivation ne peut être supprimée que si votre smartphone se trouve à proximité lors de la mise en marche du système eBike. De plus, le *Bluetooth*® doit être activé sur votre smartphone et l'application **eBike Flow** doit être active en arrière-plan. L'application **eBike Flow** n'a pas besoin d'être ouverte. Quand la fonction <eBike Lock> est activée, vous pouvez continuer à utiliser votre VAE mais sans aucune assistance électrique possible via la commande déportée.

### Compatibilité

<eBike Lock> est compatible avec les lignes de produits eBike Bosch suivantes :

Drive Unit	Ligne de produits
BDU374x	Performance Line CX
BDU33xx	Performance Line

### Fonctionnement

Avec la fonction <eBike Lock>, le smartphone fait en quelque sorte office de clé pour la commande déportée. <eBike Lock> est activé lors de la désactivation du système eBike. Tant que le <eBike Lock> est actif après la mise en marche, cela est indiqué sur l'unité de commande **System Controller** par un clignotement blanc et sur l'écran par un symbole de cadenas.

**Remarque :** La fonction <eBike Lock> n'est pas une protection antivol, uniquement un complément à une serrure mécanique ! La fonction <eBike Lock> ne bloque pas le vélo et ne rend pas son utilisation impossible. Elle ne fait que désactiver la commande déportée. Tant que le smartphone est connecté au VAE via *Bluetooth*®, la commande déportée est déblocquée.

Pour permettre à d'autres personnes d'utiliser temporairement ou durablement votre VAE ou avant d'apporter votre VAE au service après-vente, désactivez la

fonction **<eBike Lock>** dans les **Paramètres** de l'application **eBike Flow**. Si vous souhaitez revendre votre VAE, effacez en plus le VAE dans les **Paramètres** de l'application **eBike Flow**.

Lors de la désactivation du système eBike, la commande déportée émet une tonalité de blocage (**un** bip sonore) pour signaler que l'assistance électrique est désactivée.

**Remarque :** La tonalité ne peut être émise que tant que le système est en marche.

À l'activation du système eBike, la commande déportée émet deux tonalités de déblocage (**deux** bips sonores) pour signaler que l'assistance électrique est à nouveau disponible.

La tonalité de blocage vous permet de savoir si la fonction **<eBike Lock>** est activée sur votre VAE. La signalisation sonore est active par défaut, elle peut être désactivée dans les **Paramètres** de l'application **eBike Flow** après sélection du symbole Lock pour votre VAE.

**Remarque :** Si vous n'arrivez plus à configurer ou désactiver la fonction **<eBike Lock>**, adressez-vous à votre revendeur de VAE.

### Remplacement de composants VAE et de la fonction **<eBike Lock>**

#### Changement de smartphone

1. Installez l'application **eBike Flow** sur votre nouveau smartphone.
2. Connectez-vous avec le compte à partir duquel vous avez activé la fonction **<eBike Lock>**.
3. Dans l'application **eBike Flow**, la fonction **<eBike Lock>** est indiquée comme étant configurée.

#### Remplacement de Drive Unit

1. Dans l'application **eBike Flow**, la fonction **<eBike Lock>** est indiquée comme étant désactivée.
2. Activez la fonction **<eBike Lock>** en déplaçant le curseur **<eBike Lock>** vers la droite.
3. Avant de vous rendre chez votre revendeur VAE pour effectuer une révision ou une maintenance, désactivez temporairement la fonction **<eBike Lock>** pour éviter toute fausse alerte.

### Mises à jour logicielles

Le téléchargement des mises à jour logicielles doit être démarré manuellement dans l'application **eBike Flow**.

L'application transfère en arrière-plan les mises à jour logicielles vers la commande déportée dès que celle-ci est connectée à l'application. La progression de la mise à jour est signalée par le clignotement vert des barres de l'indicateur de niveau de charge (**13**). Le système est ensuite redémarré.

Les mises à jour logicielles sont pilotées par l'application **eBike Flow**.

### Connexion du System Controller avec Mini Remote

La connexion entre les unités déportées **System Controller** et **Mini Remote** s'effectue via une connexion *Bluetooth*<sup>®</sup>.

Mettez le système eBike en marche et ne vous mettez pas à rouler.

Si le revendeur de vélos n'a pas encore connecté l'unité déportée **Mini Remote** au **System Controller**, procédez comme suit :

1. Connectez d'abord votre smartphone via l'app **eBike Flow** au **System Controller** (voir Établir une connexion smartphone).
2. Dans l'app, sélectionnez **eBike Flow <Connecter Mini Remote>**.  
Vous serez invité à appairier **System Controller** et **Mini Remote**.
3. **System Controller** : démarrez le processus d'appairage en appuyant longuement (3 s) sur le bouton Marche/Arrêt (**12**) jusqu'à ce que la barre inférieure de l'indicateur de charge (**13**) indique que le processus d'appairage a bien été effectué par un clignotement bleu.
4. **Mini Remote** : démarrez le processus d'appairage en appuyant sur n'importe quel bouton jusqu'à ce que le processus d'appairage soit indiqué par le clignotement bleu du voyant LED (**3**).
5. Suivez les instructions de l'application **eBike Flow**.



La réussite de l'appairage est indiquée dans les 30 s sur l'unité déportée **Mini Remote** par 3 clignotements verts du voyant LED **(3)**.

Si la connexion échoue, cela est indiqué par 3 clignotements rouges du voyant LED **(3)**. Répétez la procédure.

Si vous souhaitez connecter l'unité déportée **Mini Remote** au **System Controller** d'un autre eBike, procédez comme suit :

1. **Mini Remote** : retirez la batterie de l'unité déportée **Mini Remote** et réinsérez-la.
2. Dans les 10 s qui suivent, maintenez le bouton Augmenter l'assistance – / Aide à la poussée **(6)** enfoncé pendant 5 s.  
Le processus d'appairage est signalé pendant 30 s par le clignotement bleu du voyant LED **(3)**.
3. **System Controller** : démarrez le processus d'appairage en appuyant longuement (3 s) sur le bouton Marche/Arrêt **(12)** jusqu'à ce que la barre inférieure de l'indicateur d'état de charge **(13)** indique que le processus d'appairage a bien été effectué par un clignotement bleu.

La réussite de l'appairage est indiquée dans les 30 s sur l'unité déportée **Mini Remote** par 3 clignotements verts du voyant LED **(3)**.

Si la connexion échoue, cela est indiqué par 3 clignotements rouges du voyant LED **(3)**. Répétez la procédure.

## Messages d'erreur

L'unité de commande indique si des erreurs, critiques ou non, se produisent dans le système eBike.

Les messages d'erreur générés par le système eBike peuvent être lus via l'application **eBike Flow** ou par votre revendeur de vélos.

Un lien présent dans l'application **eBike Flow** peut fournir des informations sur l'erreur et une assistance pour la corriger.

## Erreurs non critiques

Les erreurs moins critiques sont signalées par le clignotement orange du voyant LED de niveau d'assis-

tance **(10)**. Appuyez sur le bouton de sélection **(5)** de l'unité déportée **Mini Remote (1)** ou sur le bouton Mode **(14)** de l'unité déportée **System Controller (2)** pour confirmer l'erreur. La LED de niveau d'assistance **(10)** affiche à nouveau la couleur du niveau d'assistance défini.

Au besoin, vous pouvez vous aider du tableau suivant pour supprimer vous-même certains défauts. Pour les autres défauts, veuillez vous rendre chez votre revendeur de vélos.

Numéro	Suppression du défaut
<b>523005</b>	Ces numéros de défaut signalent une défaillance dans la détection du champ magnétique par les capteurs. Vérifiez si vous n'avez pas perdu l'aimant en cours de route.
<b>514001</b>	
<b>514002</b>	
<b>514003</b>	
<b>514006</b>	Si vous utilisez un capteur magnétique, vérifiez que le capteur et l'aimant sont montés correctement. Assurez-vous également que le câble relié au capteur n'est pas endommagé.
	Si vous utilisez un aimant de jante, veillez à ce qu'il n'y ait aucun champ magnétique parasite à proximité de la Drive Unit.

## Erreurs critiques

Les défauts critiques sont signalés par le clignotement en rouge de la LED de niveau d'assistance **(10)** et des LED indicatrices de niveau de charge **(13)**. Lorsque survient un défaut critique, suivez les instructions du tableau suivant.

Numéro	Instructions
<b>660001</b>	Ne pas charger la batterie et ne pas continuer à l'utiliser ! Contactez votre revendeur VAE Bosch.
<b>660002</b>	
<b>890000</b>	– Acquitter le code de défaut. – Redémarrer le système. Si le problème persiste : – Acquitter le code de défaut. – Effectuer une mise à jour du logiciel.

Numéro	Instructions
	<ul style="list-style-type: none"><li data-bbox="318 277 777 310">– Redémarrer le système.</li></ul> <p data-bbox="318 319 777 352">Si le problème persiste :</p> <ul style="list-style-type: none"><li data-bbox="318 361 777 420">– Contactez votre revendeur VAE Bosch.</li></ul>

Draft

# Entretien et service après-vente

## Nettoyage et entretien

L'unité déportée ne doit pas être nettoyée avec de l'eau sous pression.

Maintenez l'unité déportée propre. En cas d'encrassement, la détection de la luminosité ambiante risque de ne plus fonctionner.

Pour nettoyer votre unité déportée, utilisez un chiffon doux, humidifié uniquement avec de l'eau. Utilisez uniquement de l'eau, sans aucun produit nettoyant.

► **Ne confiez les réparations qu'à un revendeur agréé.**

## Service après-vente et conseil utilisateurs

Pour toutes les questions concernant le système eBike et ses éléments, adressez-vous à un vélociste agréé.

Vous trouverez les données de contact de vélocistes agréés sur le site internet [www.bosch-ebike.com](http://www.bosch-ebike.com).

Draft

## Programme de recyclage des accus



L'unité d'entraînement, l'ordinateur de bord et son unité de commande, la batterie, le capteur de vitesse, les accessoires et l'emballage doivent être triés afin d'être recyclés de façon respectueuse de l'environnement.

Ne jetez pas les systèmes eBike et leurs éléments constitutifs dans les ordures ménagères !



Pour recycler votre batterie Bosch, appelez le 1.800.822.8837.

Draft

# Índice

Introducción .....	2
Acerca de las advertencias .....	2
Advertencias generales .....	2
Utilización de sus Instrucciones de servicio .....	3
Operación de su sistema de transmisión Bosch.....	4
Indicaciones de seguridad.....	4
Utilización reglamentaria .....	6
Características del producto SystemController_MiniRemote (Controlador del sistema/Mini mando a distancia).....	7
Datos técnicos .....	8
Operación .....	9
Mantenimiento y servicio.....	15
Mantenimiento y limpieza .....	15
Servicio técnico y atención al cliente .....	15
Programa de reciclaje de baterías .....	16

Draft

# Introducción

## Acerca de las advertencias

Este manual contiene muchos **PELIGROS**, **ADVERTENCIAS**, y **PRECAUCIONES** sobre las consecuencias de una falta de uso, montaje, mantenimiento, almacenamiento, inspección y eliminación de una eBike equipada por Bosch de modo seguro.

- La combinación del símbolo de alerta de seguridad y la palabra **PELIGRO** indica una situación peligrosa que, si no se evita, ocasionará la muerte o lesiones graves.

- La combinación del símbolo de alerta de seguridad y la palabra **ADVERTENCIA** indica una situación peligrosa que, si no se evita, podría provocar la muerte o lesiones graves.
- La combinación del símbolo de alerta de seguridad y la palabra **PRECAUCIÓN** indica una situación peligrosa que, si no se evita, podría ocasionar lesiones leves o moderadas.

## Advertencias generales



**Lea íntegramente todas las indicaciones de seguridad e instrucciones.** No seguir las advertencias e instrucciones siguientes puede provocar la muerte o lesiones graves.

**Guarde todas las indicaciones de seguridad e instrucciones para posibles consultas futuras.**

El término **batería** empleado en este manual del usuario se refiere a todas las baterías para eBike originales de Bosch.

- ▶ **Lea TODOS los manuales incluidos antes de montar en la bicicleta por primera vez.** Su sistema de accionamiento de Bosch incluye manuales y documentación adicionales proporcionados por el fabricante de la bicicleta y de otros componentes. No leer o desconocer la información de seguridad puede provocar la muerte o lesiones graves.

### ⚠ ADVERTENCIA

- ▶ **Este manual contiene información importante de seguridad, rendimiento y mantenimiento.** Léalo antes de usar su nueva bicicleta y guárdelo a modo de referencia. Puede encontrar el manual también en línea en [www.bosch-ebike.com](http://www.bosch-ebike.com).
- ▶ **Este manual está previsto para su lectura junto con el manual de usuario aparte que venía con su bicicleta.** Antes de usar la bici por primera vez,

asegúrese de leer toda la documentación facilitada, incluidas las etiquetas que lleva el producto.

- ▶ **Por su propia SEGURIDAD, sea responsable.** Si tiene dudas o no entiende algo, consúltelo con su distribuidor o con el fabricante de la bicicleta o del componente.
- ▶ **Algunos accesorios de la eBike pueden suponer un peligro de atragantamiento para los niños pequeños.** Mantenga esos accesorios alejados de los niños.

### ⚠ PRECAUCIÓN

- ▶ **El sistema de accionamiento de Bosch incrementa el peso de su bicicleta, que puede que no esté acostumbrado a levantar.** Evite las lesiones; utilice técnicas de elevación adecuadas.

## Utilización de sus Instrucciones de servicio

Además de las funciones aquí representadas, puede ser que se introduzcan en cualquier momento modificaciones de software para la eliminación de errores y modificaciones de funciones.

### Gráficos

La bicicleta que se muestra en este manual puede diferir ligeramente de la suya; no obstante, las similitudes son suficientes para ayudarle a entender nuestras instrucciones.

Los lados DERECHO e IZQUIERDO se indican mirando en el sentido que la bicicleta tendrá al circular hacia delante. Si ve una línea discontinua (-----), el elemento al que se refiere está oculto a la vista.

Draft

# Operación de su sistema de transmisión Bosch

## Indicaciones de seguridad



**Lea íntegramente todas las indicaciones de seguridad e instrucciones.** Las faltas de observación de las indicaciones de seguridad y de las instrucciones pueden causar descargas eléctricas, incendios y/o lesiones graves.

### Guarde todas las indicaciones de seguridad e instrucciones para posibles consultas futuras.

El término **batería** empleado en este manual del usuario se refiere a todas las baterías para eBike originales de Bosch.

- ▶ **Lea y siga todas las indicaciones de seguridad e instrucciones de todos los manuales de uso del sistema eBike, así como las instrucciones de uso de su eBike.**
- ▶ **¡No intente fijar la pantalla o la unidad de mando durante la marcha!**
- ▶ **La función de asistencia de empuje se debe usar exclusivamente al empujar la eBike.** Si las ruedas de la eBike no están en contacto con el suelo cuando se usa la asistencia de empuje, existe riesgo de lesiones.
- ▶ **Cuando la asistencia de empuje está activada, los pedales pueden girar.** Con la asistencia de empuje activada, preste atención a que sus piernas tengan suficiente distancia hacia los pedales giratorios. Existe peligro de lesión.
- ▶ **En caso de utilizar la ayuda para empuje, asegúrese de poder controlar la eBike en todo momento y de sujetarla de forma segura.** La ayuda para el empuje puede interrumpirse en determinadas condiciones (p. ej. obstáculo en el pedal o deslizamiento accidental del botón de la unidad de mando). La eBike puede retroceder repentinamente hacia usted o empezar a volcar. Esto implica un riesgo para el usuario, especialmente con una carga adicional. No lleve la eBike con la ayuda para el empuje en situaciones, en las que no pueda sujetar la eBike con su propia fuerza!
- ▶ **No coloque la bicicleta de cabeza en el manillar y el sillín, cuando la unidad de mando o su soporte sobresalga del manillar.** La unidad de mando o el soporte pueden dañarse irreparablemente.
- ▶ **No conecte un cargador al sistema eBike, cuando el sistema eBike indica un error crítico.** Esto puede causar la destrucción de su acumulador, el acumulador puede incendiarse y así provocar quemaduras graves y otras lesiones.
- ▶ **La unidad de mando está equipada con una interfaz inalámbrica. Observar las limitaciones locales de servicio, p. ej. en aviones o hospitales.**
- ▶ **¡Cuidado!** El uso de la unidad de mando con *Bluetooth*<sup>®</sup> puede provocar anomalías en otros aparatos y equipos, en aviones y en aparatos médicos (p. ej. marcapasos, audífonos, etc.). Tampoco puede descartarse por completo el riesgo de daños en personas y animales que se encuentren en un perímetro cercano. No utilice la unidad de mando con *Bluetooth*<sup>®</sup> cerca de aparatos médicos, gasolineras, instalaciones químicas, zonas con riesgo de explosión ni en zonas de voladuras. No utilice la unidad de mando con *Bluetooth*<sup>®</sup> en aviones. Evite el uso prolongado de esta herramienta en contacto directo con el cuerpo.
- ▶ La marca de palabra *Bluetooth*<sup>®</sup> como también los símbolos (logotipos) son marcas de fábrica registradas y propiedad de Bluetooth SIG, Inc. Cada utilización de esta marca de palabra/símbolo por Bosch eBike Systems tiene lugar bajo licencia.
- ▶ Antes de utilizar System Controller (el controlador del sistema) mientras monta la bicicleta, asegúrese de familiarizarse con todos los controles y funciones del mismo una vez revisadas las instrucciones de servicio de este manual del usuario. Utilice Sys-



tem Controller en condiciones sin tráfico para sentirse seguro/a antes de utilizarlo con tráfico.

- ▶ No use System Controller durante la conducción a menos que se sienta seguro/a haciéndolo. No se distraiga a causa del System Controller. Tenga en cuenta que una conducción distraída puede provocar lesiones graves e incluso la muerte. Los ciclistas deben observar las condiciones de la vía y el tráfico y cumplir con todas las leyes de tráfico aplicables en todo momento.
- ▶ Por favor, tenga en cuenta que algunas leyes estatales o locales pueden exigir que las bicicletas eléctricas (eBikes) de clase III estén equipadas con un velocímetro que indique la velocidad en millas por hora. Los ciclistas deben conocer y seguir todas las normas y reglamentos aplicables relacionados con el funcionamiento o el uso de las eBikes de clase III en cualquier jurisdicción antes de operar o utilizar este producto.

### Indicaciones de seguridad para pilas de botón

- ▶ **¡ADVERTENCIA! Asegúrese de que la pila de botón no llegue a manos de los niños.** Las pilas de botón son peligrosas.
- ▶ **Las pilas de botón nunca deben tragarse ni introducirse en otros orificios corporales. Si existe la sospecha de que la pila de botón ha sido ingerida o introducida en otro orificio corporal, consulte inmediatamente a un médico.** La ingestión de una pila de botón puede provocar graves quemaduras internas y la muerte en 2 horas.
- ▶ **Cuando cambie la pila de botón, asegúrese de sustituirla correctamente.** Existe riesgo de explosión.
- ▶ **Utilice exclusivamente las pilas de botón especificadas en estas instrucciones de uso.** No utilice otras pilas de botón u otro suministro de energía.
- ▶ **No intente recargar la pila de botón y no la cortocircuite.** La pila de botón puede tener fugas, explotar, quemarse y herir a las personas.

- ▶ **Retire y elimine correctamente las pilas de botón desgastadas.** Las pilas de botón descargadas pueden tener fugas y, por lo tanto, herir a las personas o dañar el producto.
- ▶ **No sobrecaliente la pila de botón ni la arroje al fuego.** La pila de botón puede tener fugas, explotar, quemarse y herir a las personas.
- ▶ **No dañe la pila de botón y no la desmonte.** La pila de botón puede tener fugas, explotar, quemarse y herir a las personas.
- ▶ **No ponga una pila de botón dañada en contacto con el agua.** Las fugas de litio pueden generar hidrógeno con el agua y, por tanto, provocar un incendio, una explosión o lesiones a las personas.

**INDICACIÓN:** Este dispositivo cumple con la Parte 15 de las Normas de la FCC. La operación está sujeta a las siguientes dos condiciones:

1. Este dispositivo no debe causar interferencias dañinas, y
2. este dispositivo debe aceptar cualquier interferencia que se reciba, incluida la interferencia que pueda causar un funcionamiento no deseado.

**INDICACIÓN:** Los cambios o modificaciones realizados en este equipo no aprobados expresamente por Robert Bosch GmbH pueden anular la autorización de la FCC para operar este equipo.

**NOTA:** Este equipo ha sido probado y cumple con los límites para un dispositivo digital de Clase B, de conformidad con la Parte 15 de las Normas de la FCC. Estos límites están diseñados para proporcionar una protección razonable contra interferencias perjudiciales en una instalación residencial. Este equipo genera, utiliza y puede emitir energía de radiofrecuencia y, si no se instala y utiliza de acuerdo con las instrucciones, puede causar interferencias perjudiciales en las comunicaciones de radio. Sin embargo, no existe garantía de que no se produzcan interferencias en una instalación en particular. Si este equipo causa interferencias perjudiciales en la recepción de radio o televisión, lo cual puede determinarse encendiendo y apagando el equipo, se recomienda al usuario que in-

tente corregir la interferencia mediante una o más de una de las siguientes medidas:

- Reorientar o reubicar la antena receptora.
- Aumente la separación entre el equipo y el receptor.
- Conecte el equipo a una toma de corriente en un circuito diferente al que está conectado el receptor.
- Diríjase al distribuidor o a un técnico de radio/TV experimentado para obtener ayuda.

**Información de exposición a la radiación de radiofrecuencia:** La potencia de salida irradiada del dispositivo está muy por debajo de los límites de exposición de radiofrecuencia de la FCC. Sin embargo, el dispositivo debe utilizarse de tal manera que se minimize la posibilidad de contacto humano durante el funcionamiento normal.

Este equipo cumple con los límites de exposición a la radiación de FCC establecidos para un ambiente no controlado. Este transmisor no debe estar ubicado u operando en conjunto con ninguna otra antena o transmisor.

#### **Nota de ISED (Canadá)**

Este dispositivo contiene un(varios) transmisor(es)/receptor(es) exento(s) de licencia que cumple(n) con RSS(s) exento(s) de licencia del Ministerio de Innovación, Ciencia y Desarrollo Económico de Canadá. La utilización está sujeta a las dos condiciones siguientes:

1. este dispositivo no debe causar interferencias perjudiciales, y
2. este dispositivo debe admitir cualquier interferencia, incluyendo las interferencias que puedan causar un funcionamiento no deseado del dispositivo.

Este equipo cumple con los límites de exposición a la radiación del Canadá establecidos para un ambiente no controlado. Este transmisor no debe estar ubicado u operando en conjunto con ninguna otra antena o transmisor.

#### **Indicación de protección de datos**

Al conectar la eBike al **Bosch DiagnosticTool 3** y con el fin de mejorar el producto, se transmiten datos sobre el uso de la unidad motriz Bosch (entre otros, consumo de energía, temperatura, etc.) a Bosch eBike Systems (Robert Bosch GmbH). Para más información, visite la página web de eBike de Bosch [www.bosch-ebike.com](http://www.bosch-ebike.com).

## **Utilización reglamentaria**

Los cuadros de mandos **System Controller** y **Mini Remote** están previstos para el control de un sistema eBike de Bosch y para el control de un ordenador de a bordo. También le permite cambiar los niveles de asistencia en la aplicación **eBike Flow**.

Para poder utilizar la unidad de mando en toda su extensión, se necesita un teléfono inteligente compatible con la aplicación **eBike Flow**.

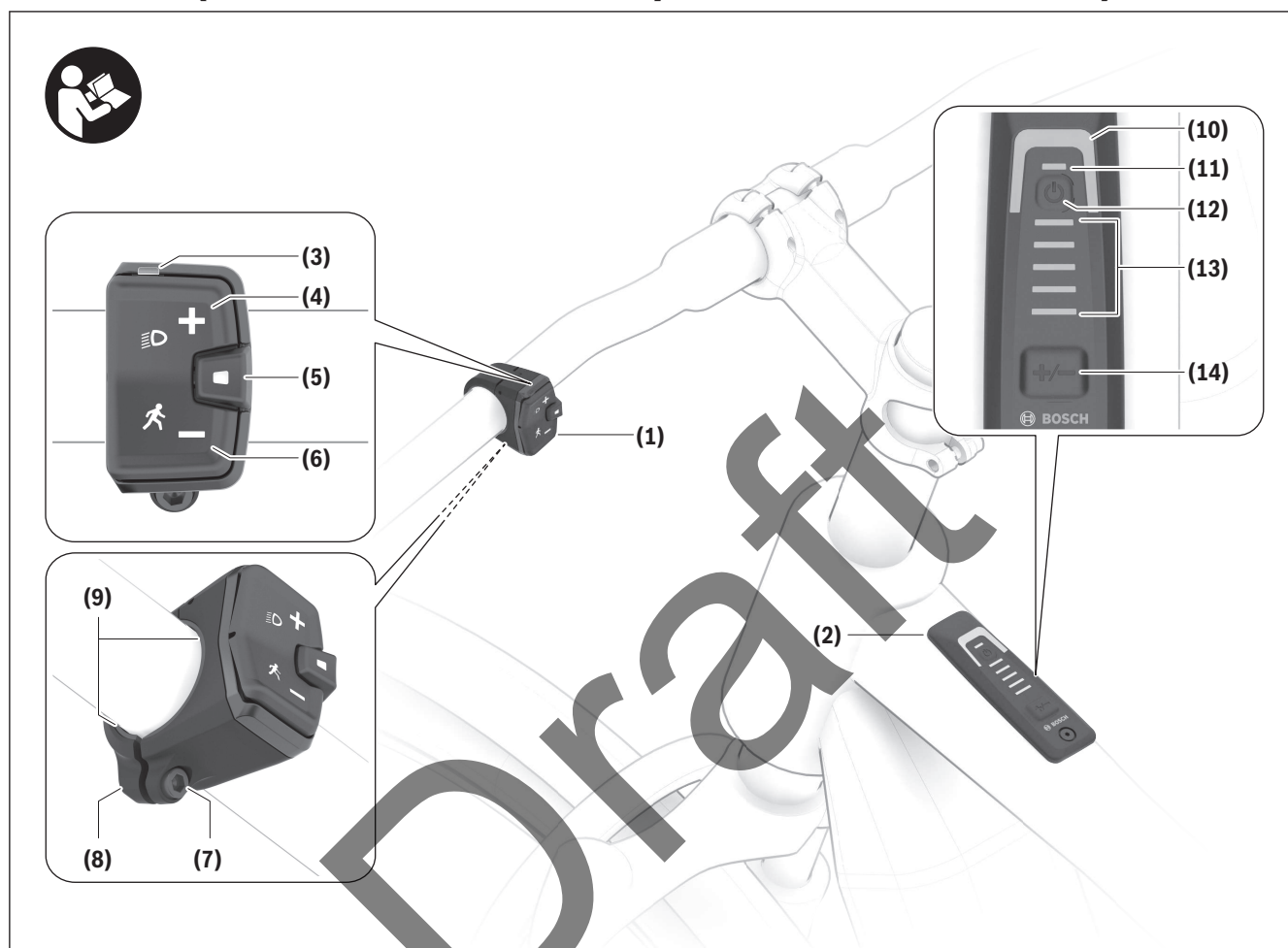
Con la aplicación **eBike Flow**, se puede establecer una conexión *Bluetooth*® entre el smartphone y el sistema de eBike, entre el smartphone y **System Controller**, así como entre **System Controller** y **Mini Remote**.



Dependiendo del sistema operativo del teléfono inteligente, la aplicación **eBike Flow** puede descargarse gratuitamente desde Apple App Store o Google Play Store.

Escanee el código con su smartphone para descargar la aplicación **eBike Flow**.

## Características del producto SystemController/MiniRemote (Controlador del sistema/Mini mando a distancia)



Todas las representaciones de las piezas de la bicicleta, excepto la unidad motriz, ordenador de a bordo incl. unidad de mando, sensor de velocidad y los soportes correspondientes son esquemáticas y pueden diferir de su eBike.

La numeración de los componentes representados hace referencia a las figuras de las páginas de gráficos que aparecen al inicio de las instrucciones.

**(1)** Cuadro de mandos **Mini Remote** (opcional)

**(2)** Cuadro de mandos **System Controller**

**(3)** Luz de control LED

**(4)** Tecla para aumentar la asistencia +/  
Iluminación de la bicicleta

**(5)** Tecla de selección

**(6)** Tecla para reducir la asistencia -/  
Ayuda de empuje

**(7)** Tornillo de fijación para el soporte

**(8)** Soporte

**(9)** Inserto de goma/soporte de la batería

**(10)** LED de nivel de asistencia

**(11)** LED ABS (opcional)/sensor de la luz de ambiente

**(12)** Tecla de conexión/desconexión

**(13)** LED del indicador del estado de carga de la batería

**(14)** Tecla de modo**Datos técnicos**

Cuadro de mandos	System Controller	
Código de producto		BRC3100
Temperatura de servicio	°F	23 ... 104
Temperatura de almacenamiento	°F	50 ... 104
Protección		IP54
Dimensiones	in	3,5 × 1,1 × 1,1
Peso	lb	0,08

**Bluetooth® Low Energy 5.0**

– Frecuencia	MHz	2400–2480
– Potencia de emisión	mW	≤ 1

Cuadro de mandos	Mini Remote	
Código de producto		BRC3300
Temperatura de servicio	°F	23 ... 104
Temperatura de almacenamiento	°F	50 ... 104
Batería		1 × CR1620
Protección		IP54
Dimensiones	in	1,6 × 1,5 × 0,9
Peso	lb	0,08

**Bluetooth® Low Energy 5.0**

– Frecuencia	MHz	2400–2480
– Potencia de emisión	mW	≤ 1

Las informaciones sobre la licencia del producto están disponibles en la siguiente dirección de internet:  
<https://www.bosch-ebike.com/licences>

FCC ID: 2AWRC-BRC3300  
 IC: 26294-BRC3300  
 HVIN: BRC3300

## Operación

### Requisitos

El sistema eBike solamente puede activarse cuando se cumplen las siguientes condiciones:

- Se ha colocado una batería con suficiente carga (véanse las instrucciones de uso de la batería).
- El sensor de velocidad está conectado correctamente (véanse las instrucciones de la unidad de accionamiento).

### Suministro de energía del cuadro de mandos (System Controller)

Si se ha colocado una batería de eBike con suficiente carga y está conectado el sistema eBike, la batería del cuadro de mandos se abastece y carga con la energía de la batería de la eBike.

Si la batería del cuadro de mandos está defectuosa, contacte con su distribuidor de bicicletas.

### Suministro de energía del cuadro de mandos (Mini Remote)

El cuadro de mandos **Mini Remote** recibe tensión de una pila de botón CR1620.

### Cambiar la batería (Mini Remote)

Cuando la batería del cuadro de mandos **Mini Remote (1)** es débil, la luz de control LED **(3)** parpadea en naranja.

Para cambiar la batería, desenrosque el cuadro de mandos **Mini Remote (1)** del manillar. Extraiga el inserto de goma **(9)**. Este es al mismo tiempo el soporte de la batería. Extraiga la pila gastada y coloque una nueva pila del tipo CR1620 en el inserto de goma **(9)**. Presione la pila y el inserto de goma **(9)** en el cuadro de mandos **Mini Remote (1)**. Si la pila se ha introducido correctamente, la luz de control LED **(3)** parpadea en verde durante 10 s. A continuación, fije el cuadro de mandos **Mini Remote (1)** en el manillar.

**Nota:** la conexión a **System Controller** no se interrumpe durante el cambio de la pila.

Puede adquirir las pilas recomendadas por Bosch en su distribuidor de bicicletas.

### Conexión/desconexión del sistema eBike

Para **conectar** el sistema eBike pulse brevemente la tecla de conexión/desconexión **(12)**. Tras la animación de inicio, se indica el nivel de carga del acumulador con el indicador de estado de carga **(13)** y el nivel de asistencia ajustado con el indicador **(10)** en color. La eBike está lista para circular.

La luminosidad del visualizador se regula mediante el sensor de la luz de ambiente **(11)**. Por lo tanto, no cubra el sensor de la luz de ambiente **(11)**.

El accionamiento se activa en cuanto se empieza a pedalear (excepto en el nivel de asistencia **OFF**). La potencia del motor depende del nivel de asistencia ajustado.

En cuanto deje de pedalear en el funcionamiento normal o en cuanto alcance una velocidad de **20/28 mph**, se desconecta la asistencia del accionamiento de la eBike. El accionamiento se activa de nuevo automáticamente en cuanto pedalee y su velocidad esté por debajo de **20/28 mph**.

Para **desconectar** el sistema eBike pulse brevemente (< 3 s) la tecla de conexión/desconexión **(12)**. El indicador del estado de carga del acumulador **(13)** y el LED de nivel de asistencia **(10)** se apagan.

Si durante unos **10** minutos no se solicita potencia al accionamiento de la eBike (p. ej. porque la eBike está parada) y no se pulsa ninguna tecla del ordenador de a bordo o de la unidad de mando de la eBike, el eBike-System se desconecta automáticamente.

### Indicador del estado de carga del acumulador

El indicador del estado de carga del acumulador **(13)** muestra el estado de carga del acumulador de la eBike. También se puede consultar el estado de carga del acumulador de la eBike en los LED que hay en el propio acumulador.

En el indicador **(13)**, cada barra azul hielo corresponde al 20 % de la capacidad y cada barra blanca co-

responde al 10 % de la capacidad. La barra superior indica la capacidad máxima.

**Ejemplo:** Se muestran 4 barras azul hielo y una barra blanca. El estado de carga está entre el 81 % y el 90 %.

Con una capacidad menor, los dos indicadores inferiores cambian de color:

Barra	Capacidad
2 × naranja	30 % ... 21 %
1 × naranja	20 % ... 11 %
1 × rojo	10 % ... reserva
1 × rojo parpadeante	Reserva ... vacía

Si el acumulador de la eBike se está cargando, la barra superior del indicador del estado de carga del acumulador **(13)** parpadea.

### Ajuste del nivel de asistencia

En los cuadros de mandos puede ajustar la fuerza con la que el accionamiento de la eBike le ayuda a pedalear.

**Mini Remote:** Pulse brevemente (< 1 s) las teclas para aumentar la asistencia **+** **(4)** o para reducir la asistencia **-** **(6)** para aumentar o reducir la asistencia.

**System Controller:** pulse brevemente (< 1 s) la tecla de modo **(14)** para aumentar la asistencia.

Pulse la tecla de modo **(14)** durante más de 1 s para reducir la asistencia.

El nivel de asistencia se puede modificar en cualquier momento, también durante la marcha, y se visualiza en color.

Nivel	Indicaciones
<b>OFF</b>	La asistencia del motor está apagada, la eBike se puede mover como una bicicleta normal pedaleando.
<b>ECO</b>	Asistencia efectiva con la máxima eficiencia, para una autonomía máxima
<b>TOUR</b>	Asistencia uniforme, para viajes con gran autonomía
<b>TOUR+</b>	Asistencia dinámica para una conducción natural y deportiva

Nivel	Indicaciones
<b>eMTB/SPORT</b>	Asistencia óptima en cualquier terreno, arranque deportivo, dinámica mejorada, máximo rendimiento
<b>TURBO</b>	Asistencia máxima, incluso al pedalear velozmente, para una conducción deportiva
<b>AUTO</b>	La asistencia se adapta dinámicamente a la situación de conducción.
<b>RACE</b>	Máxima asistencia en la pista de carreras de eMTB; respuesta muy directa y máximo «Extended Boost» para el mejor rendimiento posible en situaciones de competición
<b>CARGO<sup>A)</sup></b>	Asistencia uniforme y potente para transportar pesos pesados de forma segura

A) El nivel de asistencia **CARGO** también puede tener otra denominación.

Las designaciones y la configuración de los niveles de asistencia pueden ser preconfiguradas por el fabricante y seleccionadas por el distribuidor de bicicletas.

### Funcionamiento combinado del sistema eBike con el mando del cambio

También con el accionamiento de la eBike, el cambio deberá utilizarse igual que en una bicicleta convencional (consulte al respecto las instrucciones de servicio de su eBike).

Independientemente del tipo de cambio empleado, es recomendable reducir brevemente la presión sobre los pedales durante el proceso de cambio de marcha. Ello no sólo facilita el cambio de marcha, sino que también reduce el desgaste del mecanismo de accionamiento.

Seleccionando la marcha correcta, usted puede aumentar la velocidad y el alcance aplicando la misma fuerza muscular.

### Encendido/apagado de la iluminación de la bicicleta (solo Mini Remote)

Compruebe siempre el correcto funcionamiento de las luces de la bicicleta antes de cada viaje.

Para **encender/apagar** la iluminación de la bicicleta, pulse la tecla para aumentar asistencia/iluminación de la bicicleta **(4)** durante más de 1 s.

### Conexión/desconexión de la ayuda para empuje

La asistencia de empuje puede facilitarle el empuje de la eBike. La velocidad en esta función depende de la marcha acoplada y puede alcanzar como máximo **2,5 mph**.

► **La función de asistencia de empuje se debe usar exclusivamente al empujar la eBike.** Si las ruedas de la eBike no están en contacto con el suelo cuando se usa la asistencia de empuje, existe riesgo de lesiones.

Para **iniciar** la ayuda de empuje, pulse la tecla **(6)** durante más de 1 s y mantenga la tecla pulsada. El indicador del estado de carga **(13)** y una luz blanca en movimiento en el sentido de la marcha indica la disponibilidad.

Para **activar** la ayuda de empuje, debe realizarse una de las siguientes acciones en los próximos 10 s:

- Empuje la eBike hacia delante.
- Empuje la eBike hacia detrás.
- Realice un movimiento pendular lateral con la eBike.

Tras la activación, el motor comienza a empujar y las barras blancas continuas cambian su color a azul hielo.

Si suelta la tecla **(6)**, se detiene la ayuda de empuje. Dentro de los 10 s siguientes puede reactivar la ayuda de empuje pulsando la tecla **(6)**.

Si no reactiva la ayuda de empuje dentro de 10 s, la ayuda de empuje se desconecta automáticamente.

La ayuda de empuje se finaliza siempre cuando

- la rueda trasera se bloquea,
- no se pueden cruzar ondulaciones de la calzada,
- una parte del cuerpo bloquea la manivela de la bicicleta,
- un obstáculo sigue girando la manivela,
- usted comienza a pedalear o

- la tecla **(4)** o la tecla de conexión/desconexión **(12)** se presiona.

La ayuda de empuje dispone de un bloqueo contra el desplazamiento involuntario, es decir, incluso después de utilizar la ayuda de empuje, el sistema de propulsión frena activamente un desplazamiento hacia atrás durante unos segundos y usted no puede empujar la eBike hacia atrás o solo puede hacerlo con dificultad.

El funcionamiento de la asistencia está sujeto a las disposiciones específicas del país y, por consiguiente, puede diferir de la descripción mencionada anteriormente o estar desactivada.

### Establecer la conexión con el smartphone

Para utilizar las siguientes funciones de la eBike, se necesita un teléfono inteligente con la aplicación **eBike Flow**.

La conexión con la aplicación se realiza a través de una conexión *Bluetooth*<sup>®</sup>.

1. Conecte el sistema de la eBike y no circule con la eBike.
2. Inicie el emparejamiento *Bluetooth*<sup>®</sup> presionando prolongadamente (> 3 s) la tecla de conexión/desconexión **(12)**. Suelte la tecla de conexión/desconexión **(12)** tan pronto como la barra inferior del indicador del estado de carga **(13)** muestre el proceso de emparejamiento mediante un parpadeo azul.
3. Confirme en la aplicación **eBike Flow** la solicitud de conexión.

### Seguimiento de la actividad

Para registrar las actividades, es necesario un registro o el inicio de sesión en la aplicación **eBike Flow**.

Para el registro de actividades es necesario aceptar el almacenamiento de datos de ubicación en la aplicación. Solo así se pueden registrar sus actividades en la aplicación. Para registrar los datos de ubicación, debe estar conectado como usuario.

#### <eBike Lock>

<eBike Lock> puede activarse para cada usuario a través de la aplicación **eBike Flow**. En ello, se memo-

riza una clave para desbloquear la eBike en el teléfono inteligente.

**<eBike Lock>** se activa automáticamente en los siguientes casos:

- en caso de desconexión del eBike-System a través de la unidad de mando
- en caso de desconexión automática del eBike-System
- al retirar el ordenador de a bordo

Cuando se conecta el eBike-System y el teléfono inteligente está conectado a la eBike mediante *Bluetooth*<sup>®</sup>, la eBike se desbloquea.

**<eBike Lock>** está vinculado a su **cuenta de usuario**.

En caso de perder su teléfono inteligente, puede registrarse a través de otro teléfono inteligente utilizando la aplicación **eBike Flow** y su cuenta de usuario y desbloquear la eBike.

**¡Atención!** Si selecciona un ajuste en la aplicación que conduce a desventajas en **<eBike Lock>** (p. ej., la eliminación de su eBike o de su cuenta de usuario), entonces se visualizan previamente mensaje de advertencia. **Léalos detenidamente y actúe de acuerdo con las advertencias emitidas (p. ej., antes de eliminar su eBike o cuenta de usuario).**

Para poder instalar **<eBike Lock>**, deben cumplirse las siguientes condiciones:

- La aplicación **eBike Flow** ya está instalada.
- Una cuenta de usuario ya está creada.
- Actualmente no se está llevando a cabo ninguna actualización en la eBike.
- La eBike está conectada al teléfono inteligente a través de *Bluetooth*<sup>®</sup>.
- La eBike está parada.
- El smartphone está conectado a Internet.
- El acumulador de la eBike está suficientemente cargado y el cable de carga no está conectado.

Puede configurar **<eBike Lock>** en la aplicación **eBike Flow** en la opción de menú **Configuración**.

A partir de ahora, puede desactivar la asistencia de su unidad de accionamiento mediante la conexión

de **<eBike Lock>** en la aplicación **eBike Flow**. La desactivación sólo puede cancelarse, si al conectar el eBike-System su smartphone se encuentra en las cercanías. En ello, *Bluetooth*<sup>®</sup> debe estar conectado en su teléfono inteligente y la aplicación **eBike Flow** debe estar activa en segundo plano. No es necesario abrir la aplicación **eBike Flow**. Cuando **<eBike Lock>** está activado, puede seguir utilizando su eBike sin la asistencia de la unidad de accionamiento.

### Compatibilidad

**<eBike Lock>** es compatible con estas líneas de productos de eBike de Bosch:

Unidad de accionamiento	Línea de producto
BDU374x	Performance Line CX
BDU33xx	Performance Line

### Modo de funcionamiento

En combinación con **<eBike Lock>**, el teléfono inteligente funciona de forma similar a una llave para la unidad de accionamiento. **<eBike Lock>** se activa cuando se desconecta el eBike-System. Mientras **<eBike Lock>** esté activo tras la conexión, se indica en la unidad de mando **System Controller** con un parpadeo blanco y en la pantalla con un símbolo de candado.

**Indicación:** ¡**<eBike Lock>** no es un dispositivo anti-robo, sino un complemento de una cerradura mecánica! Con **<eBike Lock>** no existe ningún bloqueo mecánico de la eBike o semejante. Solo se desactiva la asistencia de la unidad de accionamiento. Mientras la eBike está conectada al teléfono inteligente a través de *Bluetooth*<sup>®</sup>, la unidad de accionamiento está desbloqueada.

Si desea dar a terceros acceso temporal o permanente a su eBike o llevarla al servicio técnico, desactive **<eBike Lock>** en la aplicación **eBike Flow** en la opción de menú **Configuración**. Si desea vender su eBike, elimine adicionalmente la eBike de su cuenta de usuario en la aplicación **eBike Flow** en la opción de menú **Configuración**.

Al desconectar el eBike-System, la unidad de accionamiento emite un sonido de bloqueo (**una** señal



acústica) que le indica que la asistencia del motor está desconectada.

**Nota:** Para que se emita el sonido es necesario que el sistema esté conectado.

Al volver a conectar el eBike-System, la unidad de accionamiento emite dos sonidos de desbloqueo (**dos** señales acústicas) que le indican que la asistencia del motor vuelve a ser posible.

El sonido de bloqueo le ayuda a reconocer, si **<eBike Lock>** está activado en su eBike. La respuesta acústica está activada por defecto, pero se puede desactivar en la aplicación **eBike Flow** en la opción de menú **Configuración** tras la selección del símbolo de bloqueo en su eBike.

**Indicación:** Si **<eBike Lock>** ya no lo puede configurar o desconectar, póngase en contacto con su distribuidor de bicicletas.

### Sustitución de componentes de la eBike y **<eBike Lock>**

#### Cambio de smartphone

1. Instale la aplicación **eBike Flow** en el nuevo teléfono inteligente.
2. Inicie sesión con la **misma** cuenta con la que activó **<eBike Lock>**.
3. En la aplicación **eBike Flow**, **<eBike Lock>** se muestra como configurado.

#### Sustitución de la unidad de accionamiento

1. En la aplicación **eBike Flow**, **<eBike Lock>** se muestra como desactivado.
2. Active **<eBike Lock>**, desplazando el regulador **<eBike Lock>** hacia la derecha.
3. En caso de llevar la eBike a un distribuidor de bicicletas para su mantenimiento, se recomienda desactivar temporalmente **<eBike Lock>**, para evitar falsas alarmas.

#### Actualizaciones de software

Las actualizaciones de software deben iniciarse manualmente en la aplicación **eBike Flow**.

Las actualizaciones de software se transfieren en segundo plano desde la aplicación a la unidad de mando, tan pronto como se conecta a la aplicación. Du-

rante la actualización, un parpadeo verde del indicador de estado del acumulador (**13**) muestra el progreso. A continuación, el sistema se reinicia.

Las actualizaciones de software se controlan a través de la aplicación **eBike Flow**.

### Conexión del System Controller con Mini Remote

La conexión entre los cuadros de mandos **System Controller** y **Mini Remote** tiene lugar mediante una conexión por *Bluetooth*®.

Conecte el sistema de la eBike y no circule con la eBike.

Si todavía no se ha conectado el cuadro de mandos **Mini Remote** del distribuidor de bicicletas con la **System Controller**, proceda como se indica a continuación:

1. Conecte primero su smartphone a través de la aplicación **eBike Flow** con la **System Controller** (véase Establecer la conexión con el smartphone).
2. Seleccione en la aplicación **eBike Flow** **<Conectar el Mini Remote>**.  
Se le pedirá que ponga **System Controller** y **Mini Remote** en el estado de emparejamiento.
3. **System Controller:** inicie el proceso de emparejamiento pulsando prolongadamente (3 s) la tecla de conexión/desconexión (**12**) hasta que la barra inferior del indicador del estado de carga (**13**) muestre el proceso de emparejamiento mediante un parpadeo azul.
4. **Mini Remote:** inicie el proceso de emparejamiento pulsando cualquier tecla hasta que el proceso de emparejamiento se muestre mediante el parpadeo azul de la luz de control LED (**3**).
5. Siga las instrucciones de la aplicación **eBike Flow**. Si el emparejamiento se ha realizado correctamente, se representará en el plazo de 30 s en el cuadro de mandos **Mini Remote** mediante 3× destellos verdes de la luz de control LED (**3**).  
Si la conexión no se pudo realizar, se representará mediante 3× destellos rojos de la luz de control LED (**3**). Repita el proceso de nuevo.

Si desea conectar un cuadro de mandos **Mini Remote** con una **System Controller** de otra eBike, realice los siguientes pasos:

1. **Mini Remote:** extraiga la pila del cuadro de mandos **Mini Remote** y colóquela de nuevo.
2. En los siguientes 10 s, mantenga pulsada la tecla para reducir asistencia –/ayuda de empuje **(6)** durante 5 s.  
El proceso de emparejamiento se indica durante 30 s mediante el parpadeo azul de la luz de control LED **(3)**.
3. **System Controller:** inicie el proceso de emparejamiento pulsando prolongadamente (3 s) la tecla de conexión/desconexión **(12)** hasta que la barra inferior del indicador del estado de carga **(13)** muestre el proceso de emparejamiento mediante un parpadeo azul.

Si el emparejamiento se ha realizado correctamente, se representará en el plazo de 30 s en el cuadro de mandos **Mini Remote** mediante 3× destellos verdes de la luz de control LED **(3)**.

Si la conexión no se pudo realizar, se representará mediante 3× destellos rojos de la luz de control LED **(3)**. Repita el proceso de nuevo.

### Mensajes de fallo

La unidad de mando indica si se presentan fallos críticos o menos críticos en el sistema eBike.

Los mensajes de fallo generados por el sistema eBike pueden leerse a través de la aplicación **eBike Flow** o por su distribuidor de bicicletas.

A través de un enlace en la aplicación **eBike Flow** se pueden obtener informaciones sobre el fallo y asistencia para solucionarlo.

### Fallos menos críticos

Los errores menos críticos se indican con el parpadeo naranja del LED de nivel de asistencia **(10)**. Pulse la tecla de selección **(5)** en el cuadro de mandos **Mini Remote (1)** o la tecla de modo **(14)** en el cuadro de mandos **System Controller (2)** para confirmar el error. El LED de nivel de asistencia **(10)** vuelve a

mostrar constantemente el color del nivel de asistencia establecido.

En caso dado, puede corregir los fallos usted mismo con la ayuda de la siguiente tabla. En caso contrario, acuda a su distribuidor de bicicletas.

Número	Eliminación de fallo
<b>523005</b>	Los números de fallo indicados señalan que hay deficiencias en la detección del campo magnético por parte de los sensores. Revise, si perdió el imán durante el recorrido.
<b>514001</b>	
<b>514002</b>	
<b>514003</b>	
<b>514006</b>	Si utiliza un sensor magnético, compruebe el correcto montaje del sensor y del imán. Asegúrese también de que el cable del sensor no esté dañado. Si utiliza un imán de llanta, asegúrese de que no haya campos magnéticos perturbadores cerca de la unidad motriz.

### Fallos críticos

Los fallos críticos se indican con el parpadeo rojo del LED de nivel de asistencia **(10)** y del indicador de estado de carga **(13)**. Si se presenta un error crítico, siga las instrucciones de actuación de la siguiente tabla.

Número	Instrucciones de actuación
<b>660001</b>	¡No cargar ni continuar utilizando la batería! Póngase en contacto con su comercial de Bosch eBike.
<b>660002</b>	
<b>890000</b>	– Confirmar código de error. – Reiniciar el sistema.  Si el problema persiste: – Confirmar código de error. – Actualizar el software. – Reiniciar el sistema.  Si el problema persiste: – Póngase en contacto con su comercial de Bosch eBike.

# Mantenimiento y servicio

## Mantenimiento y limpieza

El cuadro de mandos no debe limpiarse con agua a presión.

Mantenga limpio el cuadro de mandos. La suciedad puede afectar a la luminosidad de la pantalla.

Para limpiar el cuadro de mandos, utilice un paño suave, humedecido únicamente con agua. No utilice productos de limpieza.

► **Encargue todas las reparaciones únicamente a un distribuidor de bicicletas autorizado.**

## Servicio técnico y atención al cliente

En caso de cualquier consulta sobre el sistema eBike y sus componentes, diríjase a un distribuidor de bicicletas autorizado.

Los detalles de contacto de los distribuidores de bicicletas autorizados se pueden encontrar en el sitio web [www.bosch-ebike.com](http://www.bosch-ebike.com).

Draft

## Programa de reciclaje de baterías



La unidad de accionamiento, el ordenador de a bordo incl. la unidad de mando, el acumulador, el sensor de velocidad, los accesorios y los embalajes deben reciclarse de forma respetuosa con el medio ambiente.

¡No arroje eBikes y sus componentes a la basura!



Puede reciclar su paquete de baterías de Bosch llamando al 1.800.822.8837.

Draft