

APPEND MANUAL

Produce name: RC CAR
Model: 050303

Applicant: SHENHUA INTERNATIONAL LIMITED

Address: Unit 2,10/F, NEO. 123 Hoi Bun Road, Kwun Tong, Kowloon. Hong Kong

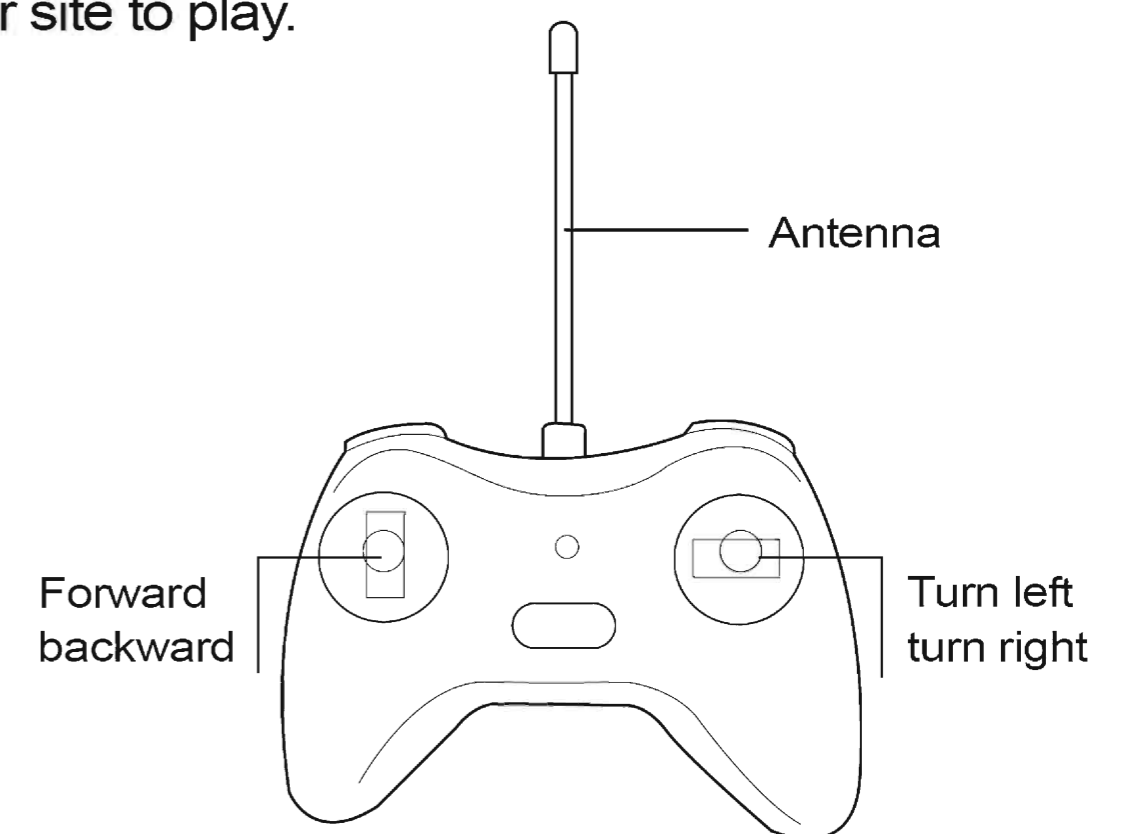
NOTE: This equipment has been tested and found to comply with the limits for a Class B digital device, pursuant to part 15 of the FCC Rules. These limits are designed to provide reasonable protection against harmful interference in a residential installation. This equipment generates, uses and can radiate radio frequency energy and if not installed and used in accordance with the instructions, may cause harmful interference to radio communications. However, there is no guarantee that interference will not occur in a particular installation. If this equipment does cause harmful interference to radio or television reception, which can be determined by turning the equipment off and on, the user is encouraged to try to correct the interference by one or more of the following: (1) repositioning the equipment, (2) increasing the distance between the equipment and the receiver, (3) consulting the dealer or an experienced radio / TV technician for help. This device complies with part 15 of the FCC Rules: Operation is subject to the following two conditions: (1) This device may not cause harmful interference, and (2) this device must accept any interference received, including interference that may cause undesired operation. Any changes or modifications not expressly approved by the party responsible for compliance could void the user's authority to operate the equipment.

⚠ WARNING:

1. Do not operate the model in the vicinity of another model using the same frequency.
2. Otherwise, radio signals may interfere with each other and the model cars may become out of control, causing accidents.
3. Use alkaline battery and rechargeable battery correctly.
4. Always turn off power of the model car and the remote controller in sequence after using.
5. If this model is to store for a long time, all batteries in the model car and the remote controller should be removed to avoid battery leakage.

Consumer should read!

1. Please take care not to damage any furniture or glass as indoor play.
2. Do not play it among crowd or public road to avoid some accident, please choose a safe outdoor site to play.
3. Stop playing it immediately when thundering as outdoor play.
4. Do not play this car on a wet site or sand lot to avoid some electronic circuit problems.
5. Do not fold the antenna rudely, since a broken antenna may cause personal injury.
6. Do not drag or pull the wire on car body, since a broken wire will damage car function.
7. Do not touch the car wheel with finger or hand to avoid accident.
8. Do not run this car toward people.
9. This car cannot be thrown or impacted rudely.
10. When keeping this car, please keep it away from fire and high temperature.
11. A great number of electronic elements and circuits have been adopted inside this car, please do not attempt to dismantle or modify such circuit board.
12. When the car or controller lacks of enough power, an obvious slowdown or out of control condition will happen, please replace the batteries.
13. If this car is idle for a long time, please take out the batteries, so its durability will be extended.



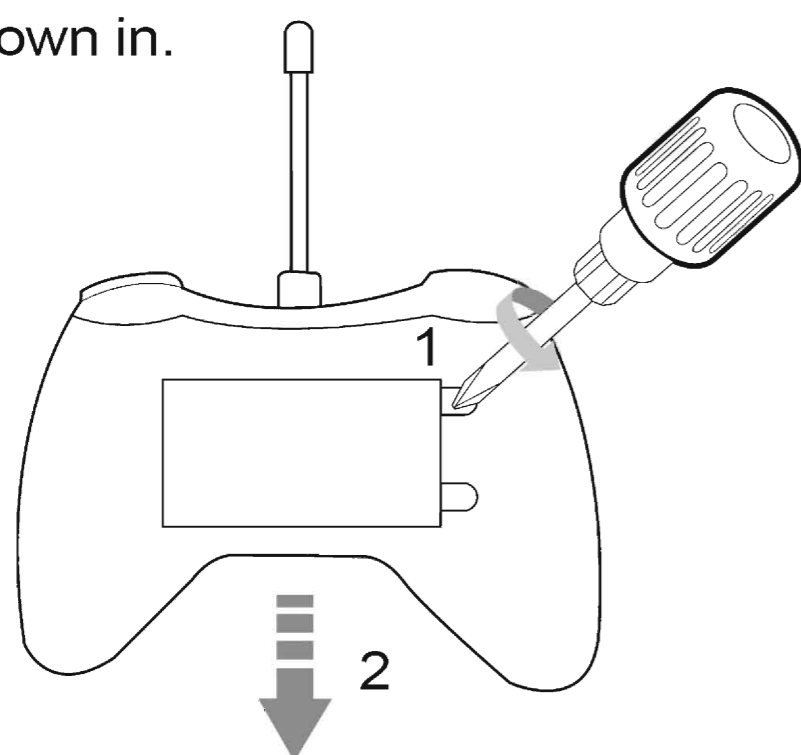
⚠ WARNING:

1. If other car with the same frequency is operating nearby, this car will be out of control.
2. If any interference caused by other electric wave, this car will be out of control, please change the site or time to play this car.
3. This product is designed for running on cement or terrazzo floor only. If running on a lubricous floor, it will be unable to run straightly, or turn over in 180 or run in circles, since the friction between car wheel and the floor is too small.

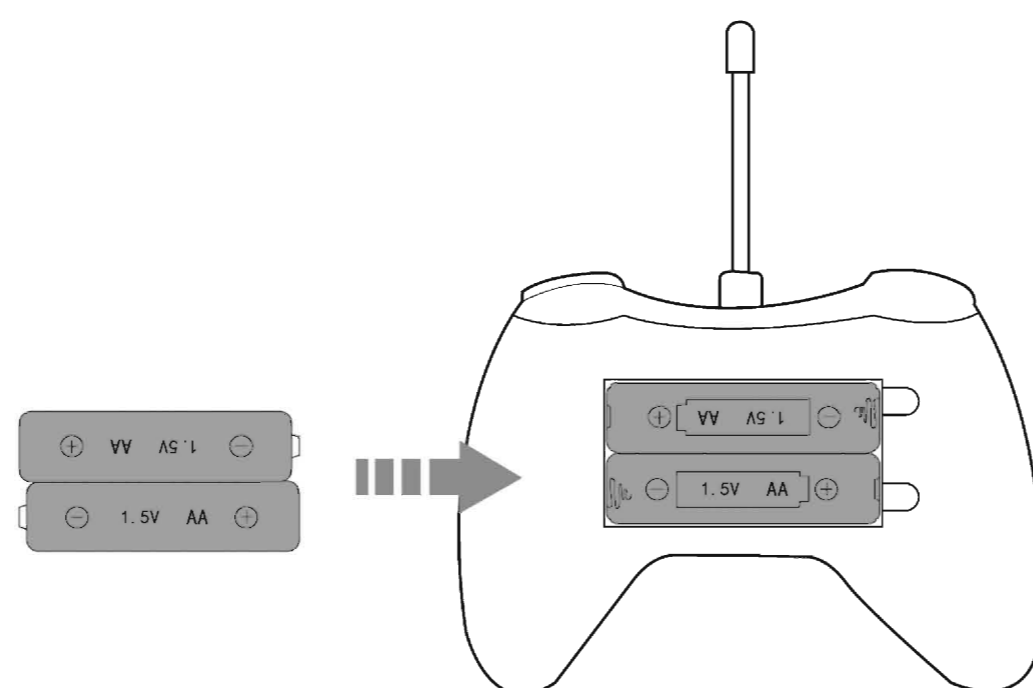
To load battery on controller

(Please use it under guidance of adult)

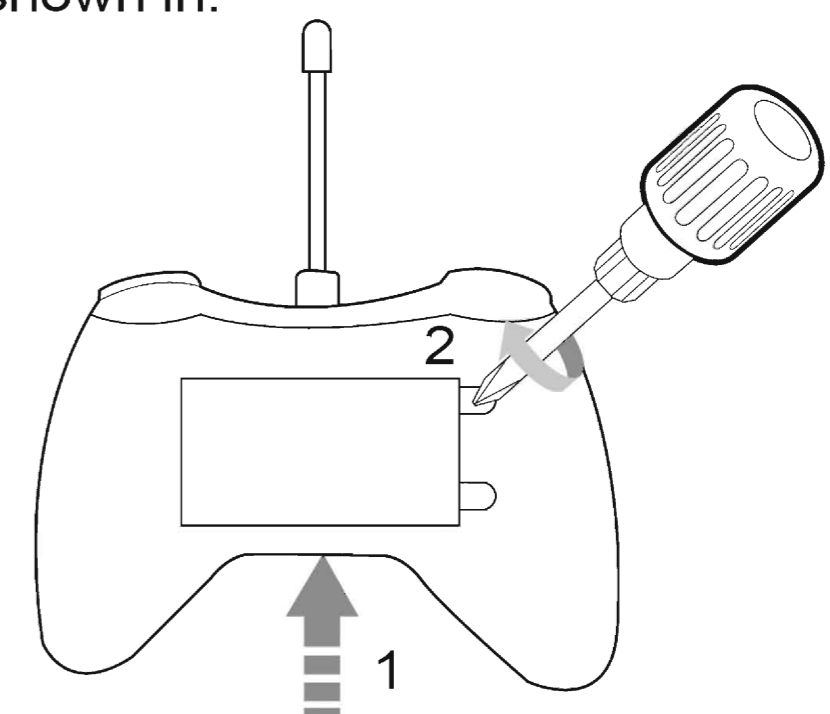
1. Open the battery cover on controller in the direction as shown in.



2. Set 2 pieces of 1.5V battery in the correct direction.



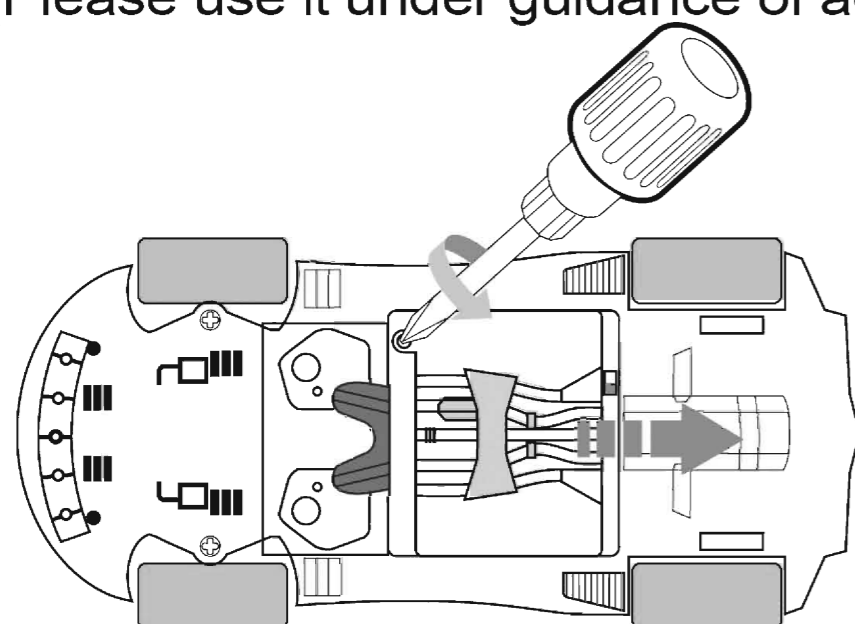
3. Replace the battery cover on controller in the direction as shown in.



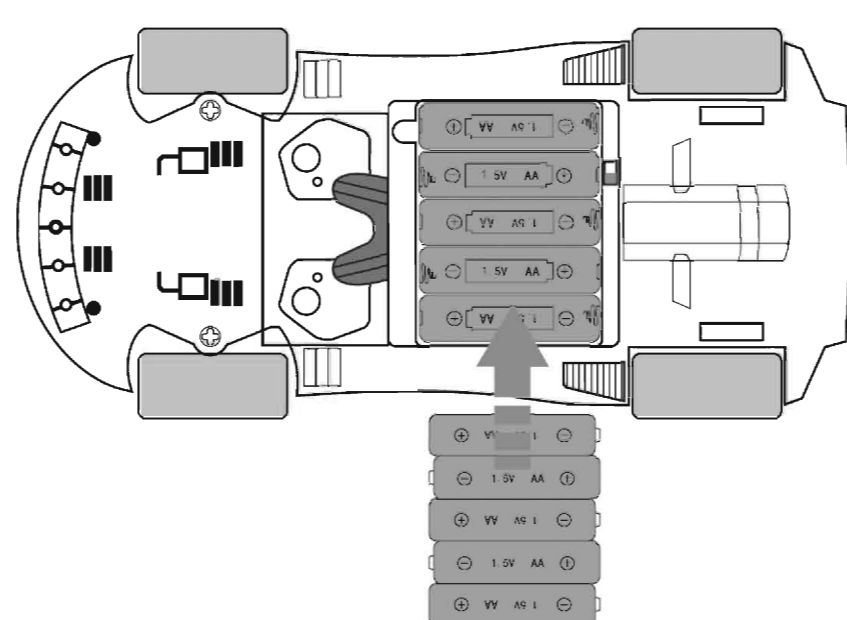
Charging instruction on car body batteries group

(Please use it under guidance of adult)

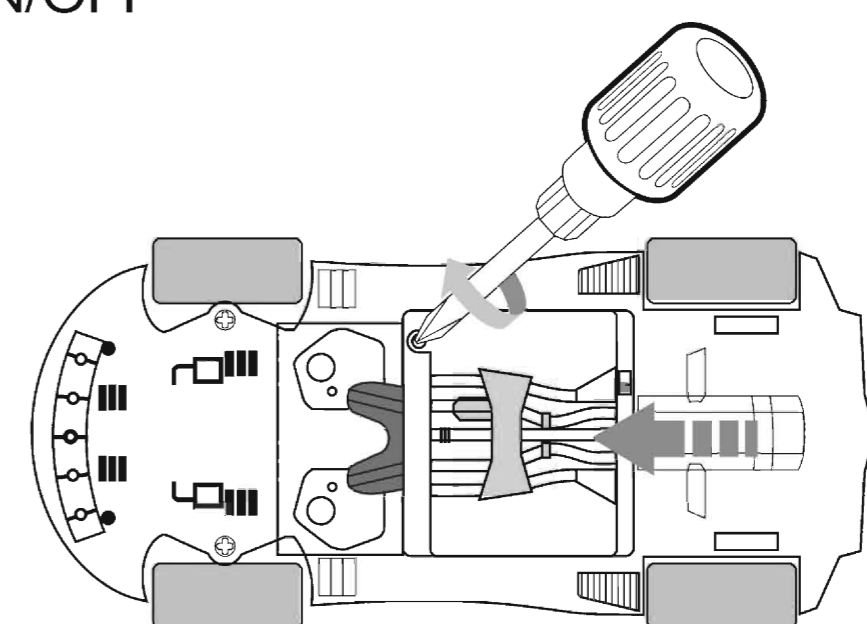
ELECTRICAL SOURCE ON/OFF



Remove the battery cover.



Set 5 pieces of 1.5V battery in the correct direction.



Replace the battery cover.